



US00D893075S

(12) **United States Design Patent**
Kong

(10) **Patent No.:** **US D893,075 S**

(45) **Date of Patent:** **** Aug. 11, 2020**

(54) **SOLAR LIGHT**

(71) Applicant: **Lingguo Kong**, Zhongshan (CN)

(72) Inventor: **Lingguo Kong**, Zhongshan (CN)

(73) Assignee: **Zhongshan Xiaolan Town Yaoshuoli Lighting Factory**, Zhongshan (CN)

(**) Term: **15 Years**

(21) Appl. No.: **29/695,391**

(22) Filed: **Jun. 19, 2019**

(51) **LOC (12) Cl.** **26-05**

(52) **U.S. Cl.**
USPC **D26/72**

(58) **Field of Classification Search**
USPC D10/106.6, 106.8; D26/51, 60, 72, 78,
D26/80, 81, 82, 85, 86, 88
CPC F21S 8/03; F21S 8/003; F21S 8/036; F21S
8/037; F21S 9/022; F21S 9/024; F21S
9/03; F21S 9/037; F21S 13/02; F21S
13/10; F21S 13/14; F21W 2131/107;
G08B 13/193

See application file for complete search history.

(56) **References Cited**

U.S. PATENT DOCUMENTS

D202,803 S * 11/1965 Wince D26/85
4,939,359 A * 7/1990 Freeman G01V 8/10
250/221

D380,853 S * 7/1997 Johnson D26/128
D791,994 S * 7/2017 Liu D10/106.8
D842,526 S * 3/2019 Zhuo D26/85
D843,631 S * 3/2019 Wen D26/85

FOREIGN PATENT DOCUMENTS

CN 305467081 * 11/2019
EM 005877529-0002 * 12/2018

* cited by examiner

Primary Examiner — Kevin K Rudzinski

Assistant Examiner — Richard Kearney

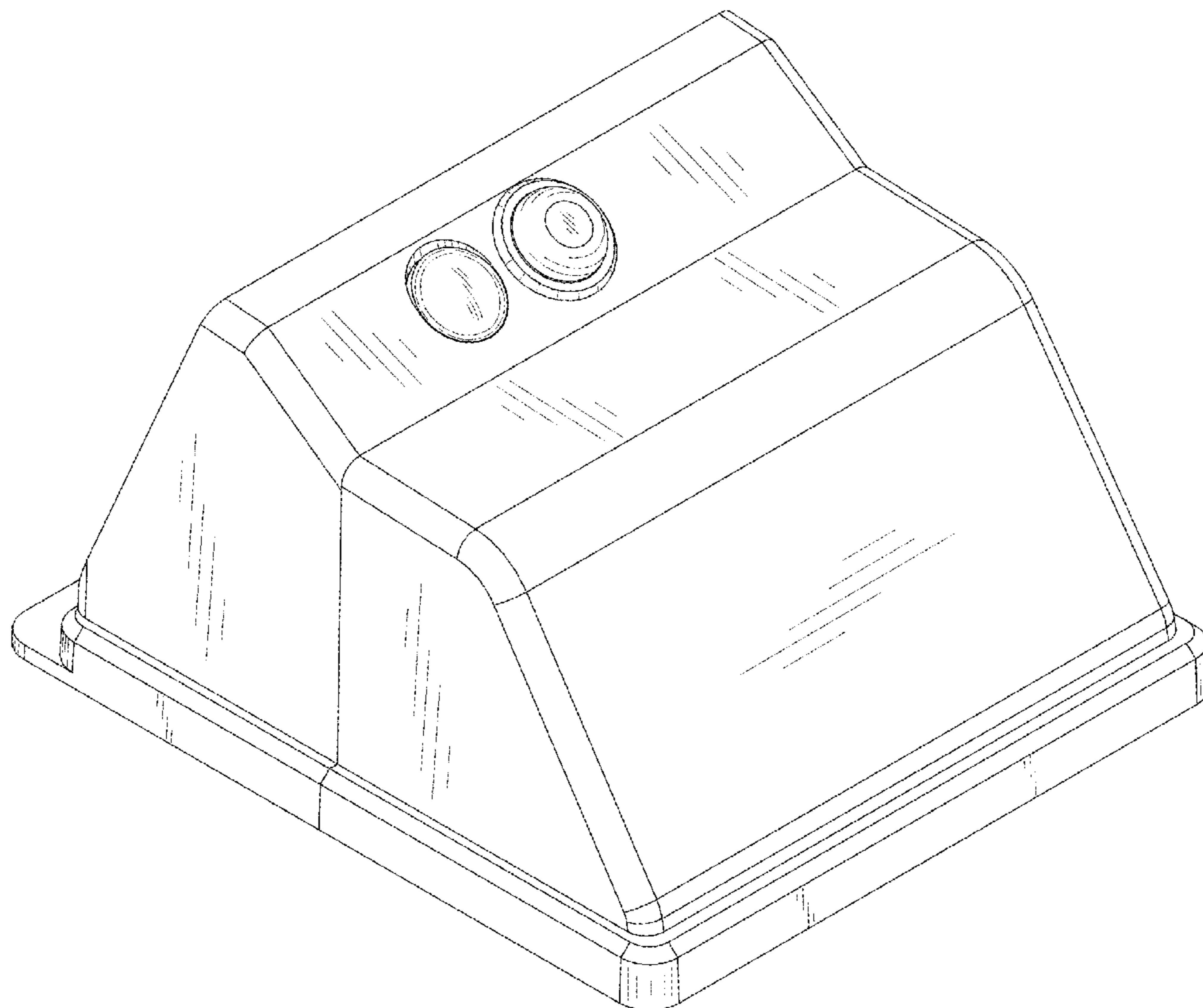
(57) **CLAIM**

The ornamental design for a solar light, as shown and described.

DESCRIPTION

FIG. 1 is a front, top perspective view of a solar light showing my new design;
FIG. 2 is a front, bottom perspective view thereof;
FIG. 3 is a front elevational view thereof;
FIG. 4 is a rear elevational view thereof;
FIG. 5 is a left side elevational view thereof;
FIG. 6 is a right side elevational view thereof;
FIG. 7 is a top plan view thereof; and,
FIG. 8 is a bottom plan view thereof.

1 Claim, 8 Drawing Sheets



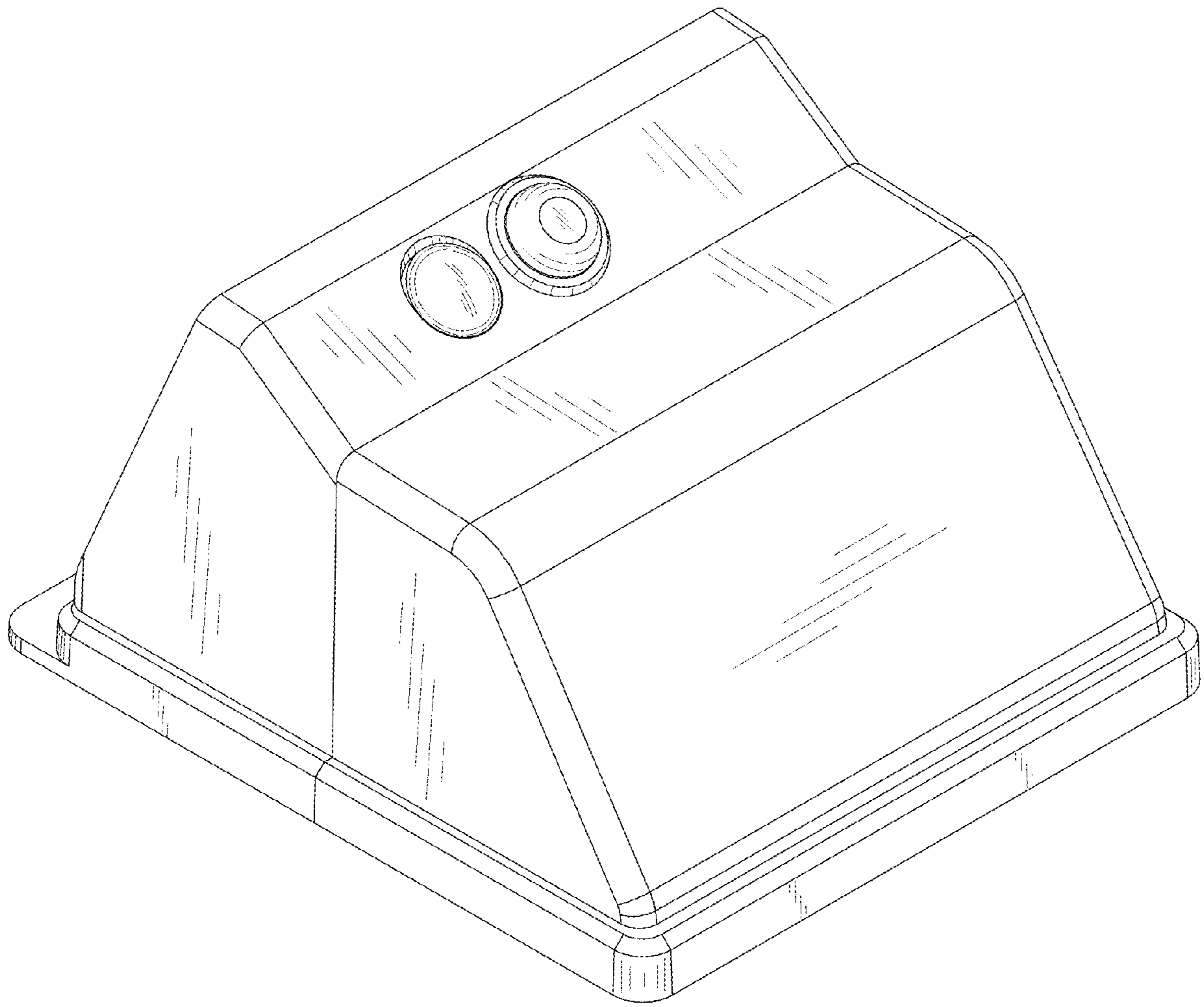


FIG.1

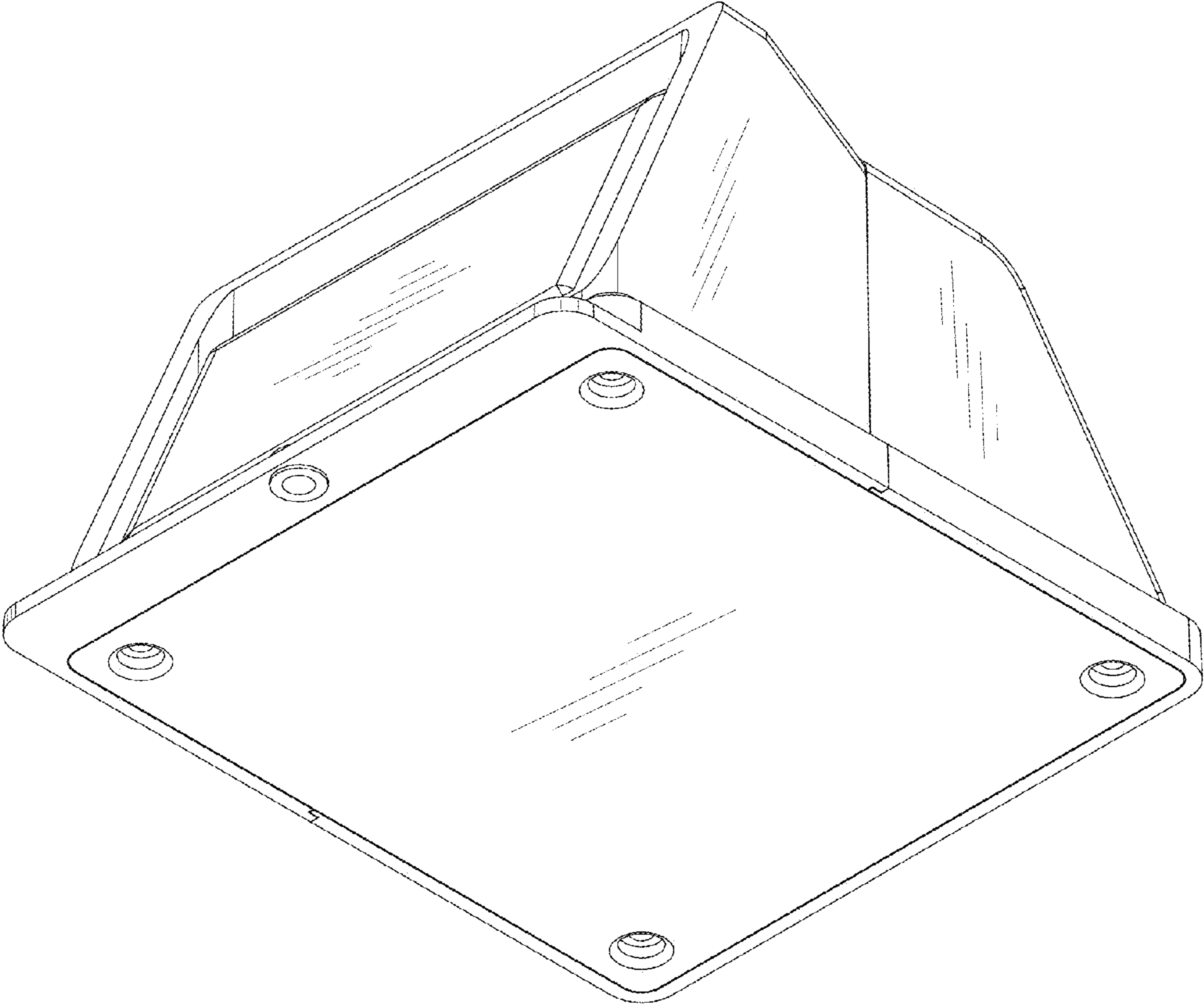


FIG.2

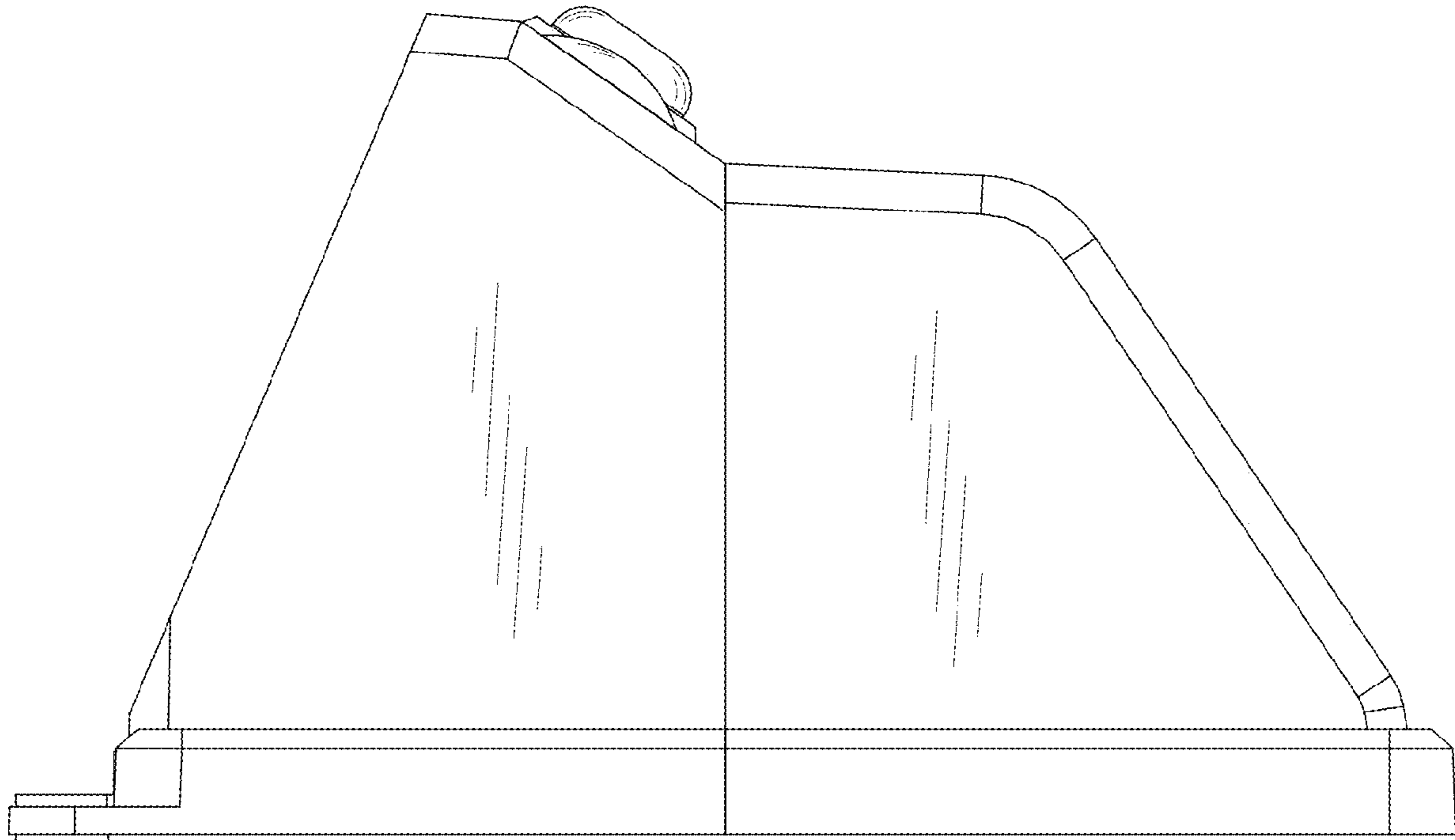


FIG.3

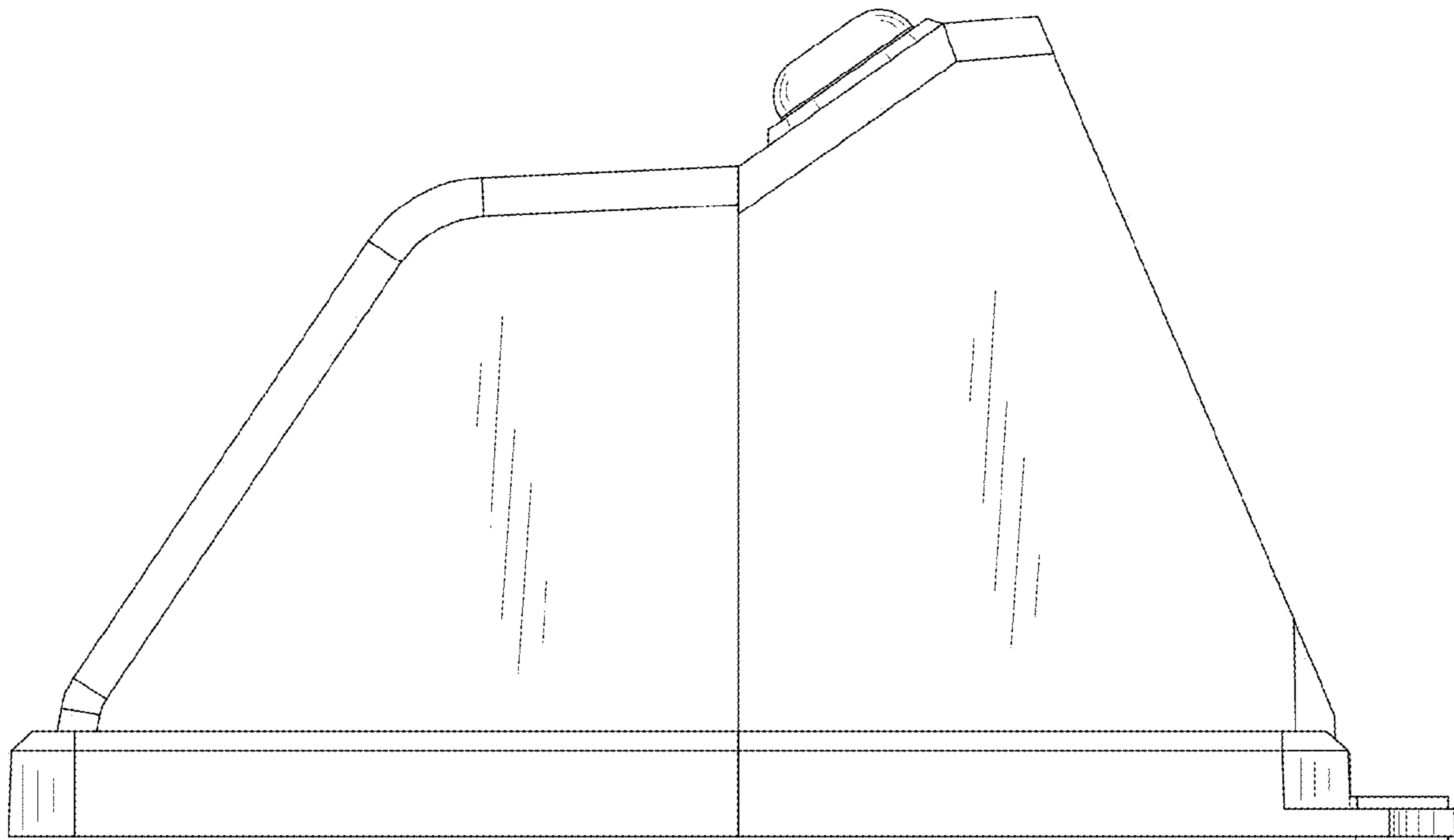


FIG.4

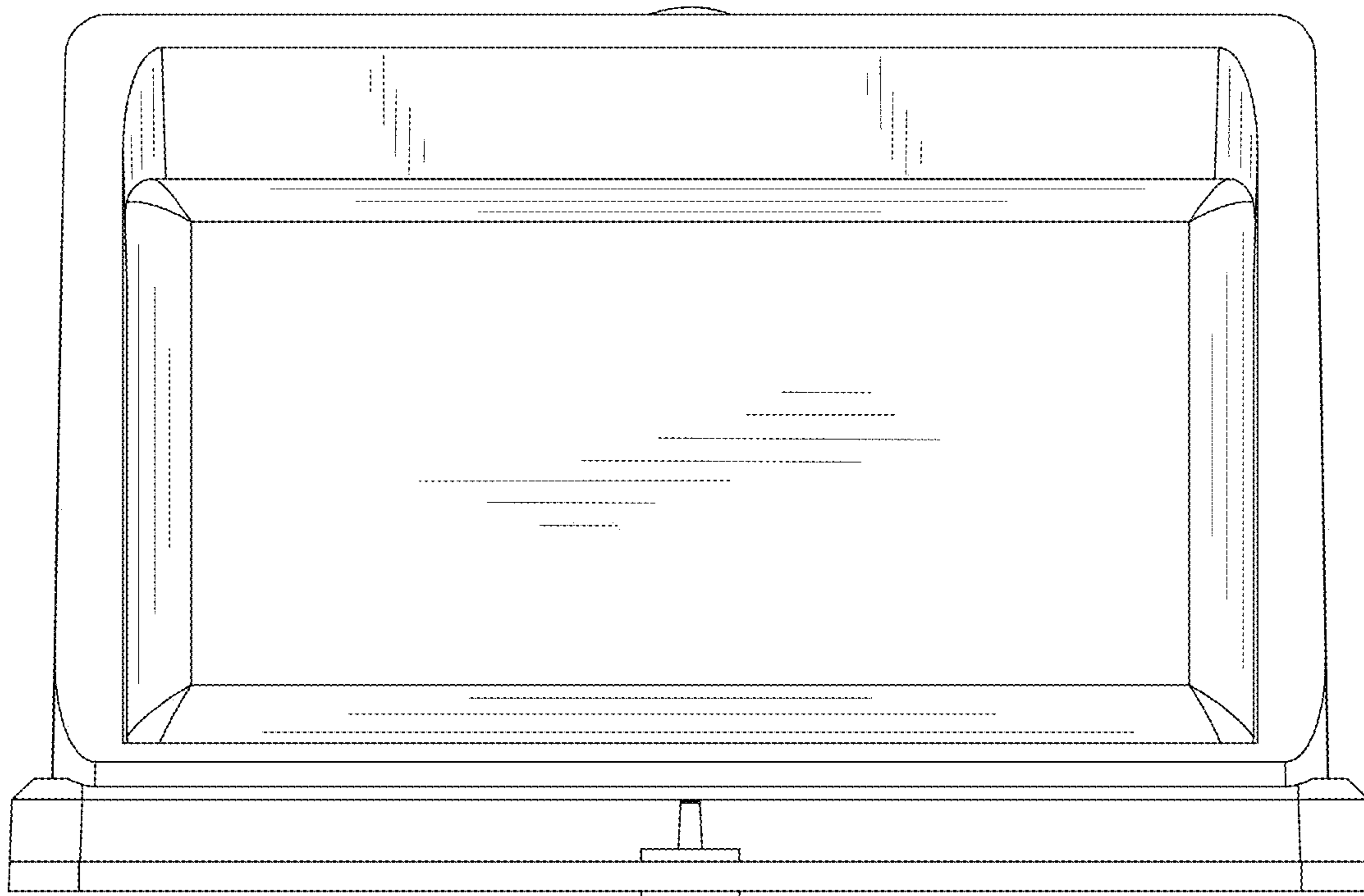


FIG.5

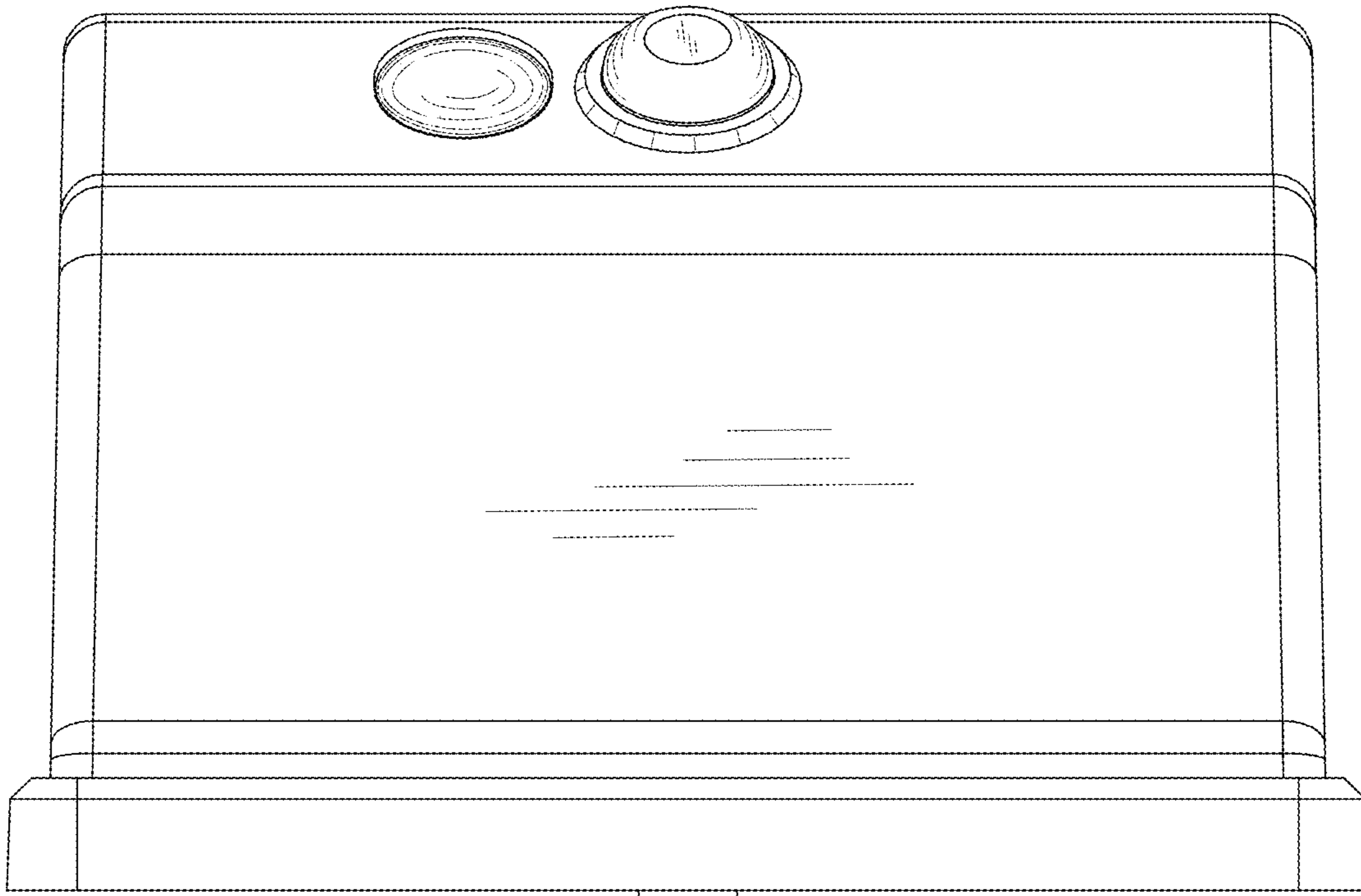


FIG.6

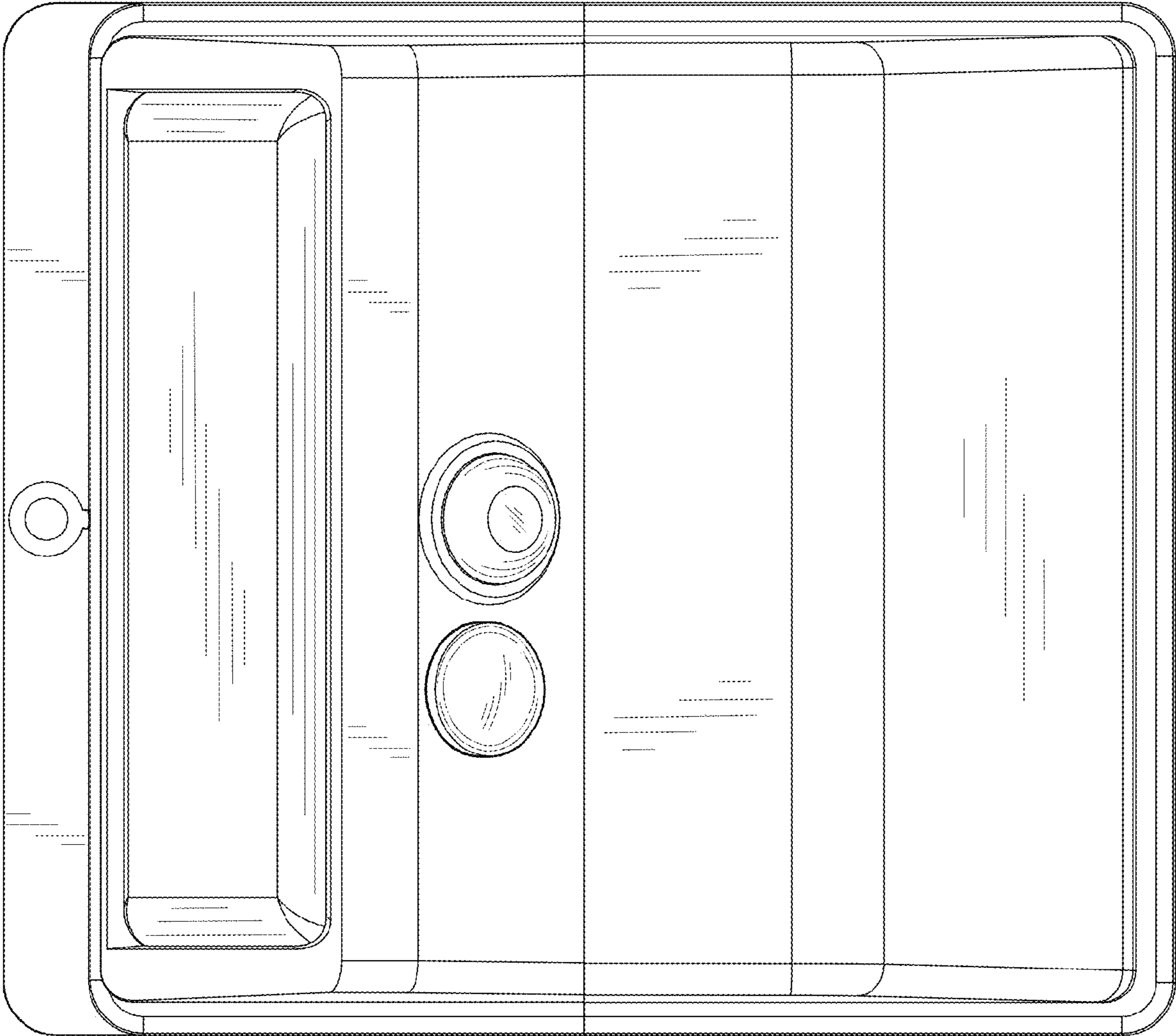


FIG.7

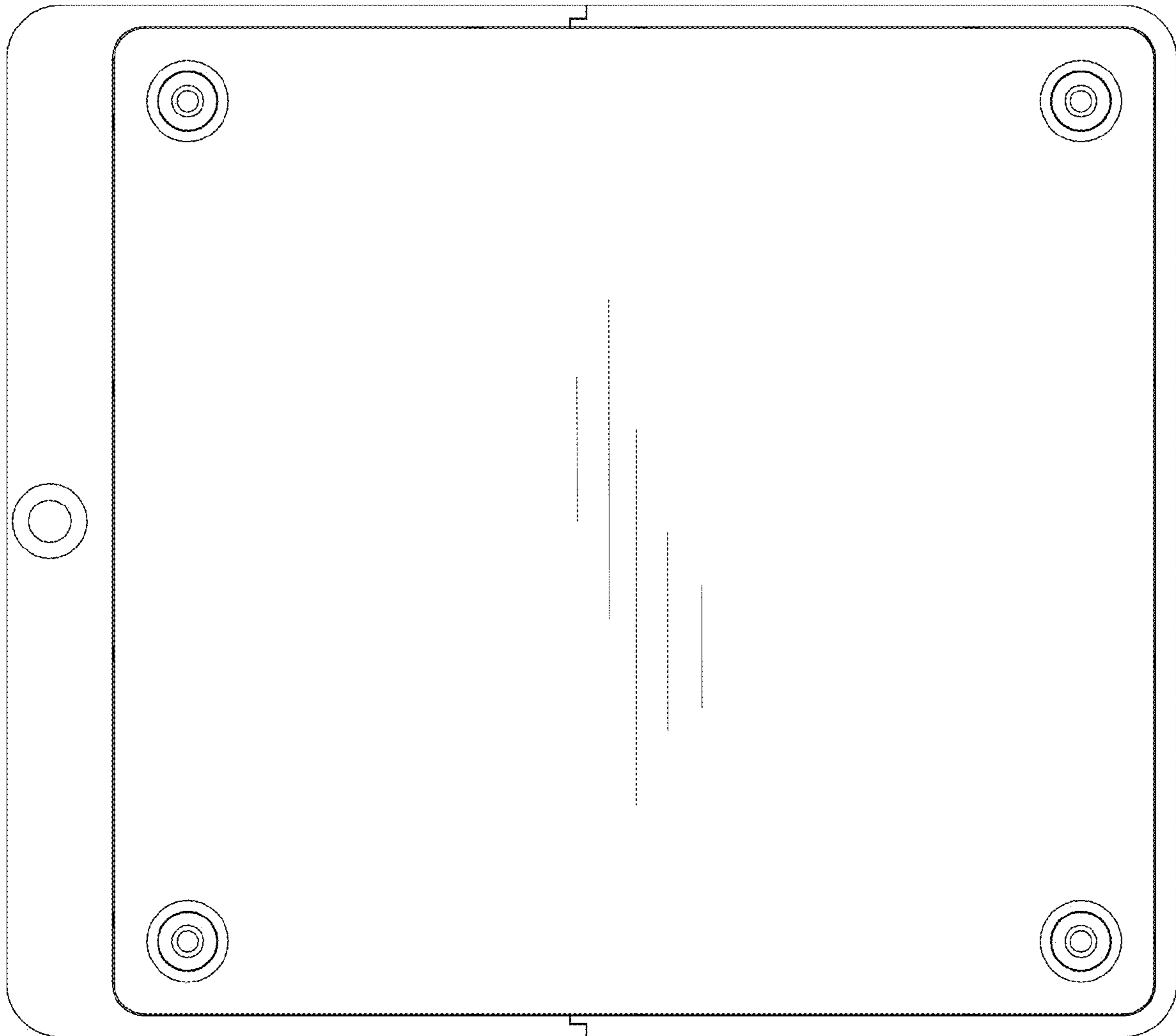


FIG.8