



US00D893073S

(12) **United States Design Patent** (10) **Patent No.:** **US D893,073 S**
McRoberts (45) **Date of Patent:** **** *Aug. 11, 2020**

- (54) **CEILING FAN LIGHT SHADE**
- (71) Applicant: **HUNTER FAN COMPANY**,
Memphis, TN (US)
- (72) Inventor: **Claire Bernice McRoberts**, Memphis,
TN (US)
- (73) Assignee: **Hunter Fan Company**, Memphis, TN
(US)
- (*) Notice: This patent is subject to a terminal dis-
claimer.
- (**) Term: **15 Years**
- (21) Appl. No.: **29/609,819**
- (22) Filed: **Jul. 6, 2017**

Related U.S. Application Data

- (63) Continuation of application No. 29/566,484, filed on
May 31, 2016, now Pat. No. Des. 799,662.
- (51) **LOC (12) Cl.** **26-05**
- (52) **U.S. Cl.**
USPC **D26/59**
- (58) **Field of Classification Search**
USPC ... D26/59, 24, 118, 119, 121–124, 128–130,
D26/132–137; D23/370, 377, 385,
D23/411–414
CPC F04D 25/088; F21V 21/03
See application file for complete search history.

(56) **References Cited**

U.S. PATENT DOCUMENTS

- D40,037 S * 6/1909 Wohl et al. D26/132
- D51,971 S * 4/1918 Murphy D26/88
- D59,056 S * 9/1921 Benjamin D26/131
- D86,420 S * 3/1932 Sutter D26/88
- D100,981 S * 8/1936 Biller D26/129
- D352,363 S * 11/1994 Dolan D26/131

- D420,120 S 2/2000 Evans
 - D449,396 S * 10/2001 Campbell D26/59
 - D476,411 S * 6/2003 Friedes D23/411
 - D524,439 S 7/2006 Lung
 - D525,694 S 7/2006 Young
- (Continued)

OTHER PUBLICATIONS

<http://ceilingfans.emerson.com/shop/en/fan/fans-s-emerson-fans/emerson-fans-browse-all/cornerstone-fan-cf1orb>, Cornerstone, CF1ORB, accessed May 31, 2016.

(Continued)

Primary Examiner — Janice Hallmark
(74) *Attorney, Agent, or Firm* — McGarry Bair PC

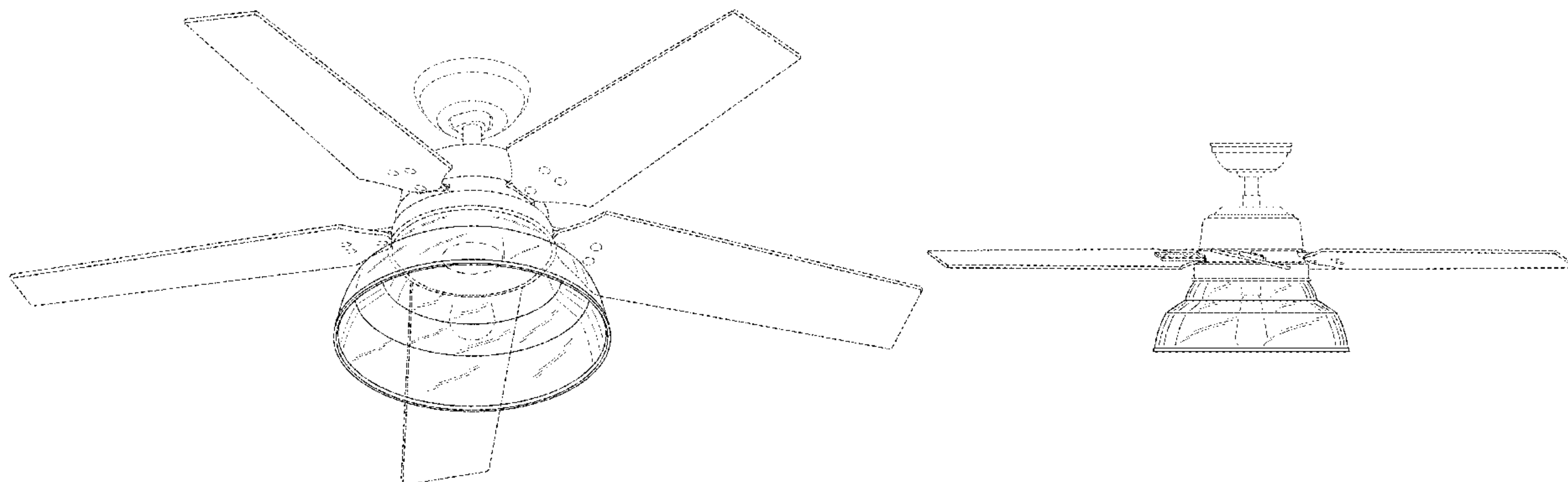
(57) **CLAIM**

The ornamental design for a ceiling fan light shade, as shown and described.

DESCRIPTION

FIG. 1 is a top perspective view of a ceiling fan light shade; FIG. 2 is a bottom perspective view of the ceiling fan light shade of FIG. 1; FIG. 3 is a top view of the ceiling fan light shade of FIG. 1; FIG. 4 is a bottom view of the ceiling fan light shade of FIG. 1; FIG. 5 is a front side view of the ceiling fan light shade of FIG. 1; FIG. 6 is a rear side view of the ceiling fan light shade of FIG. 1; FIG. 7 is a left side view of the ceiling fan light shade of FIG. 1; and, FIG. 8 is a right side view of the ceiling fan light shade of FIG. 1. Portions of the ceiling fan light shade shown in broken lines form no part of the claimed design. The oblique shade lines in the drawings indicate a transparent appearance.

1 Claim, 6 Drawing Sheets



(56)

References Cited

U.S. PATENT DOCUMENTS

D541,403 S 4/2007 Lee
D549,813 S * 8/2007 Gajewski D23/377
D556,939 S * 12/2007 Gajewski D26/128
D557,787 S * 12/2007 Gajewski D23/377
D799,662 S * 10/2017 McRoberts D23/377
D807,488 S * 1/2018 McRoberts D23/377
D833,597 S * 11/2018 Hidalgo D23/377
D858,836 S * 9/2019 McRoberts D26/59

OTHER PUBLICATIONS

<http://www.modernfan.com/products/gusto.html>, Gusto with light, accessed May 31, 2016.

<http://www.menards.com/main/p-1444433644206-c-7487.htm?tid=-5477460810298133349>, Hunter Landsdowne 52" Cheyenne Bronze Damp-Rated Ceiling Fan, 59172, accessed accessed May 31, 2016.

<http://catalogs.craftmadebrands.com/CRF/craftmade-2016/#p=162>, Port Arbor, 2 pages, accessed accessed May 31, 2016.

<http://www.homedepot.com/p/Hampton-Bay-Marlton-52-in-Indoor-Liquid-Nickel-Ceiling-Fan-YG305-LN/202529593>, Hampton Bay Marlton, accessed accessed May 31, 2016.

* cited by examiner

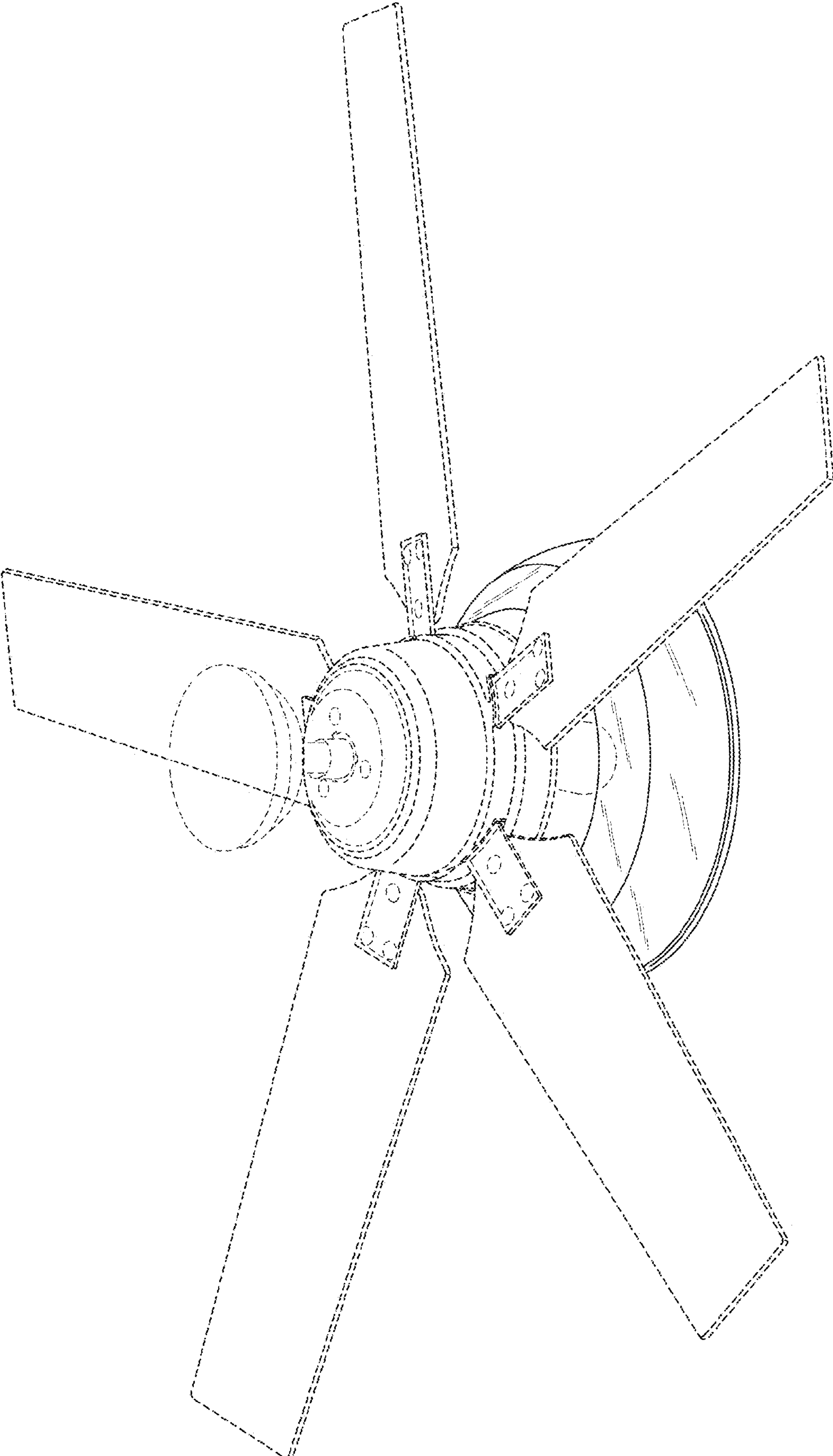


FIG.1

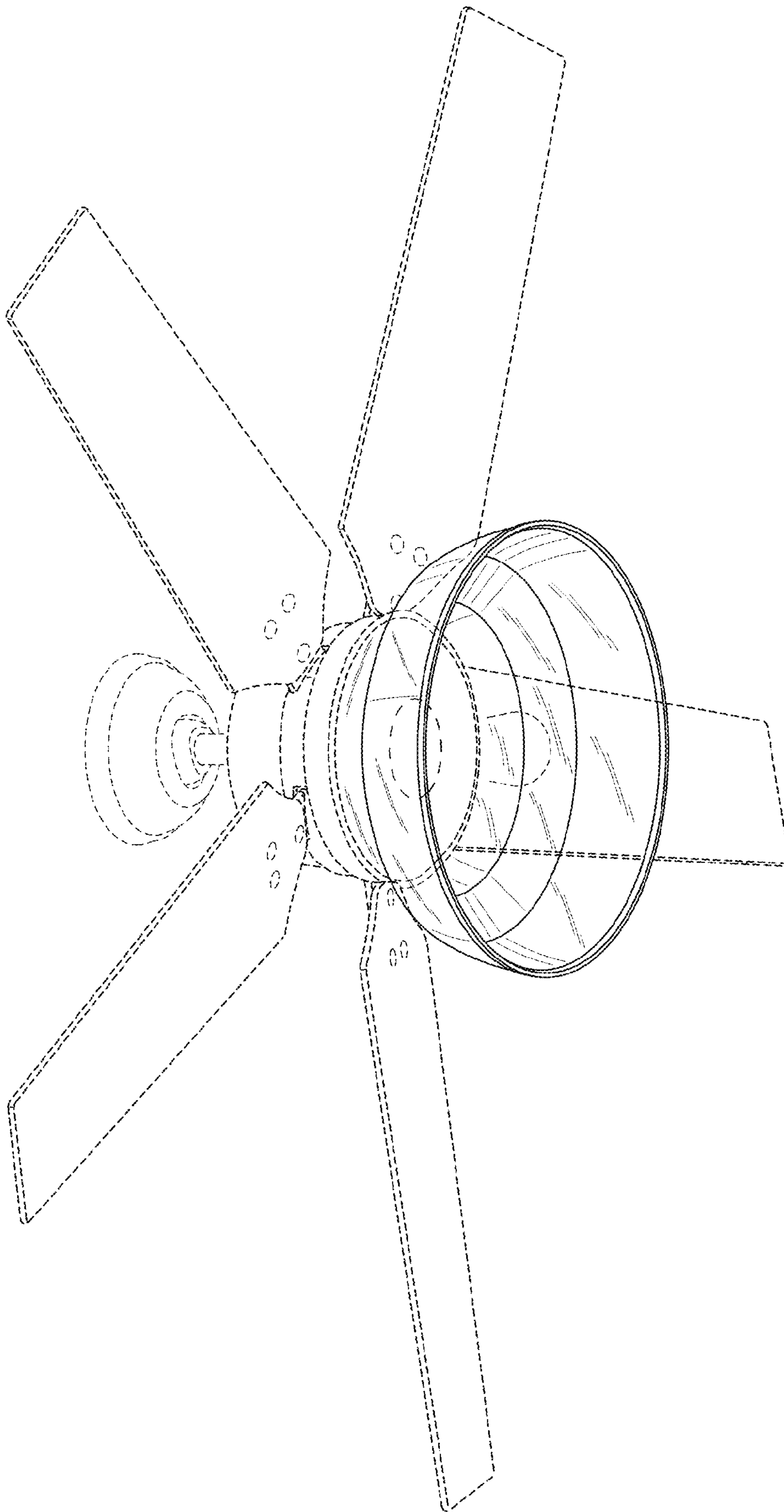


FIG.2

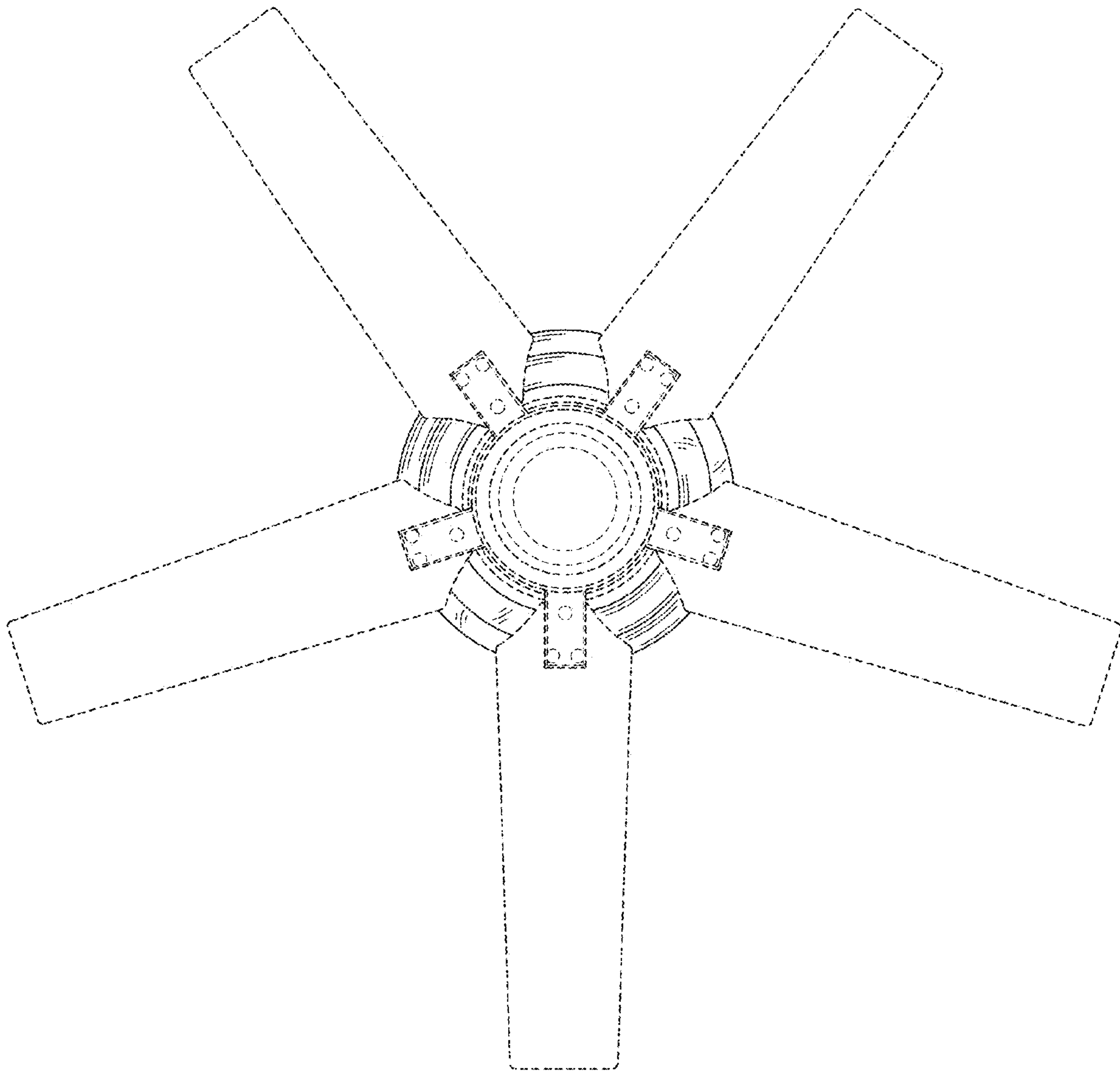


FIG.3

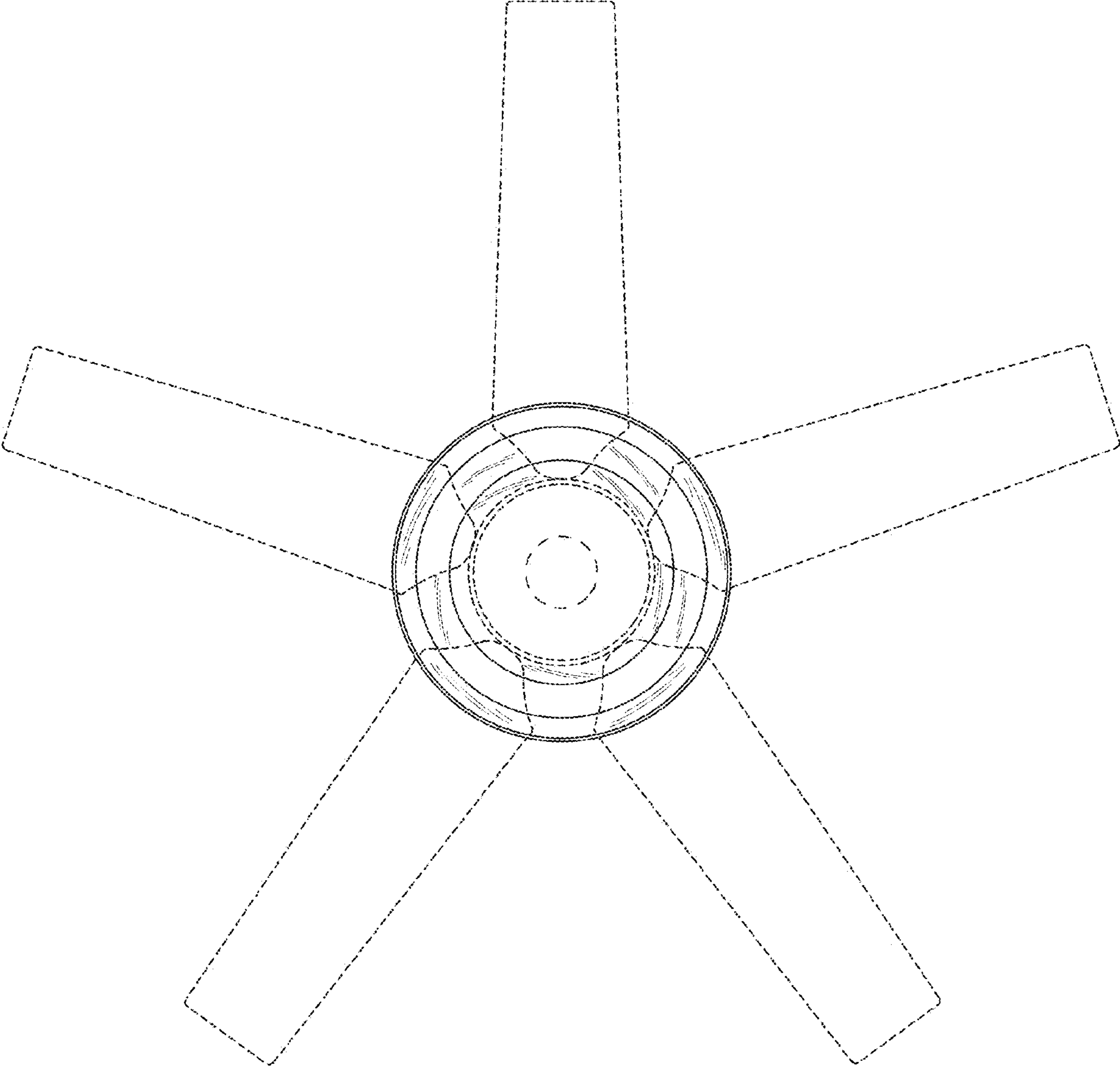


FIG. 4

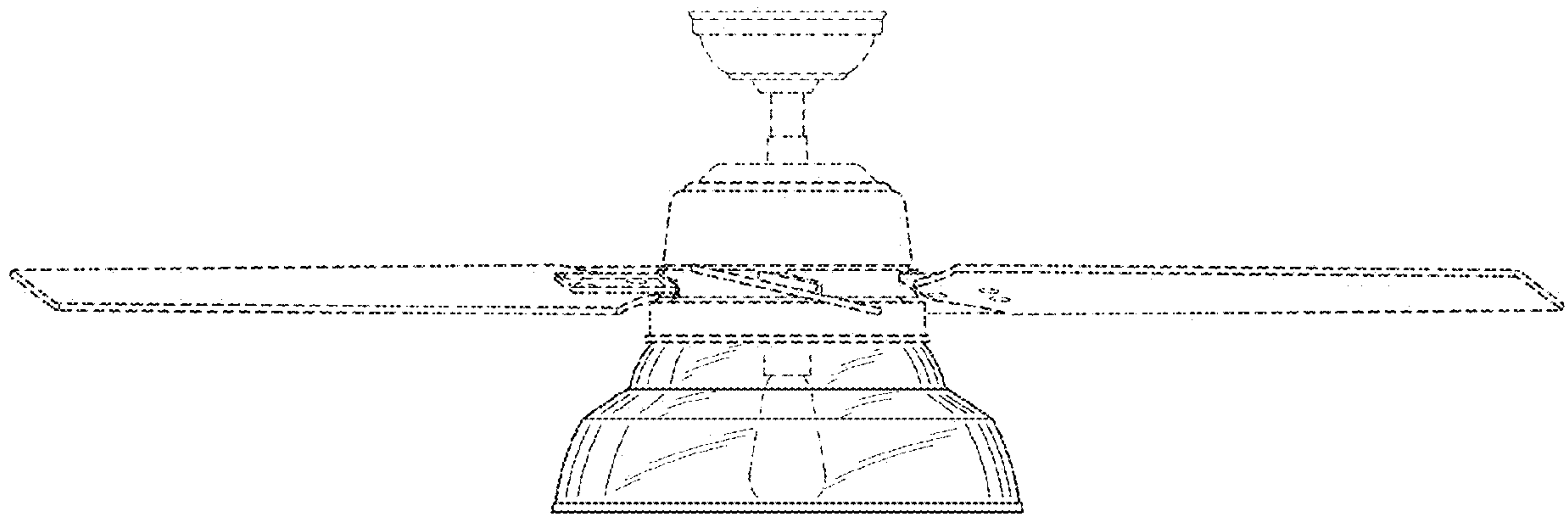


FIG. 5

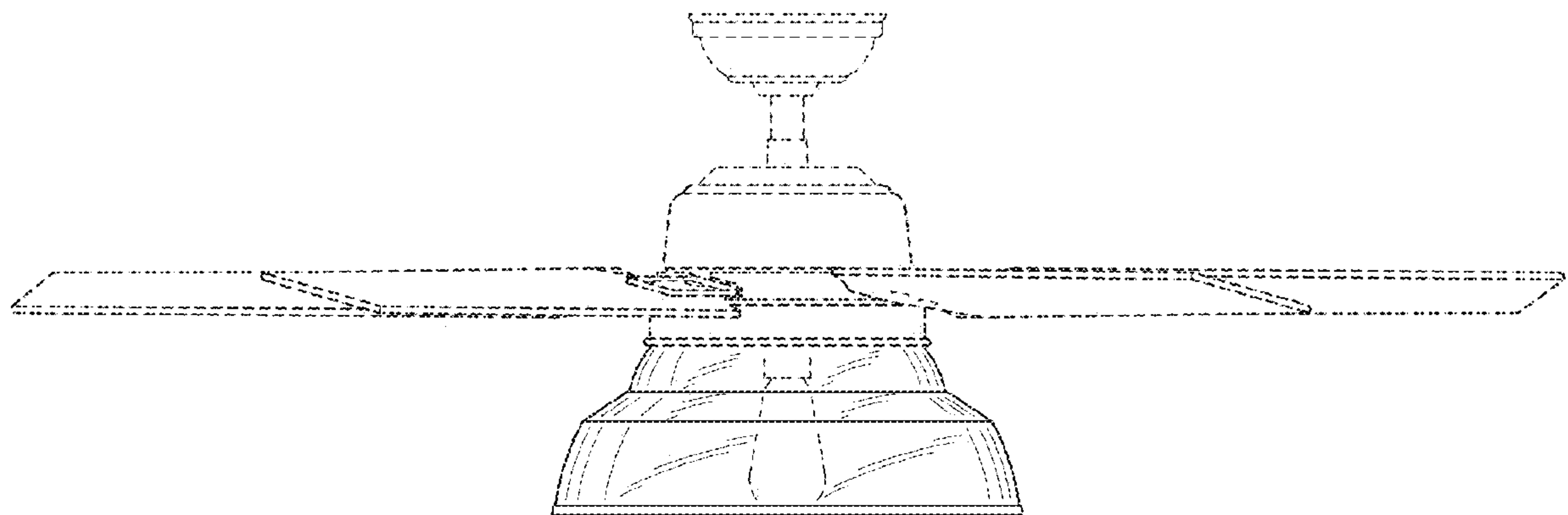


FIG. 6

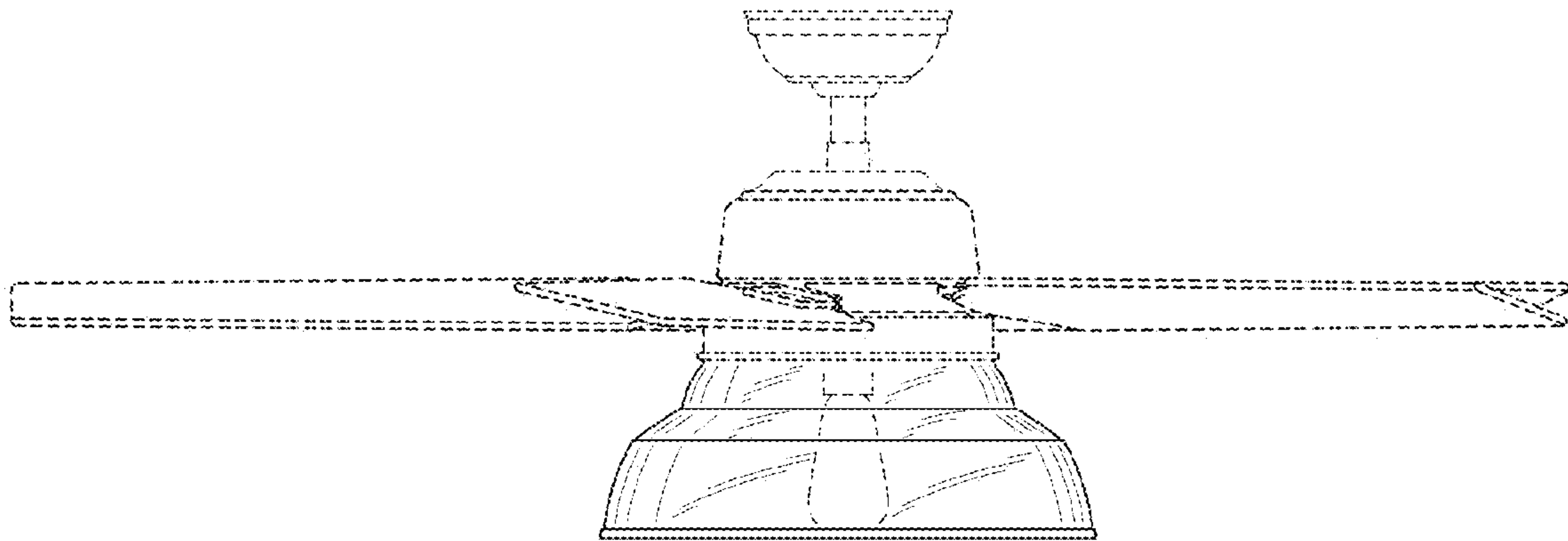


FIG. 7

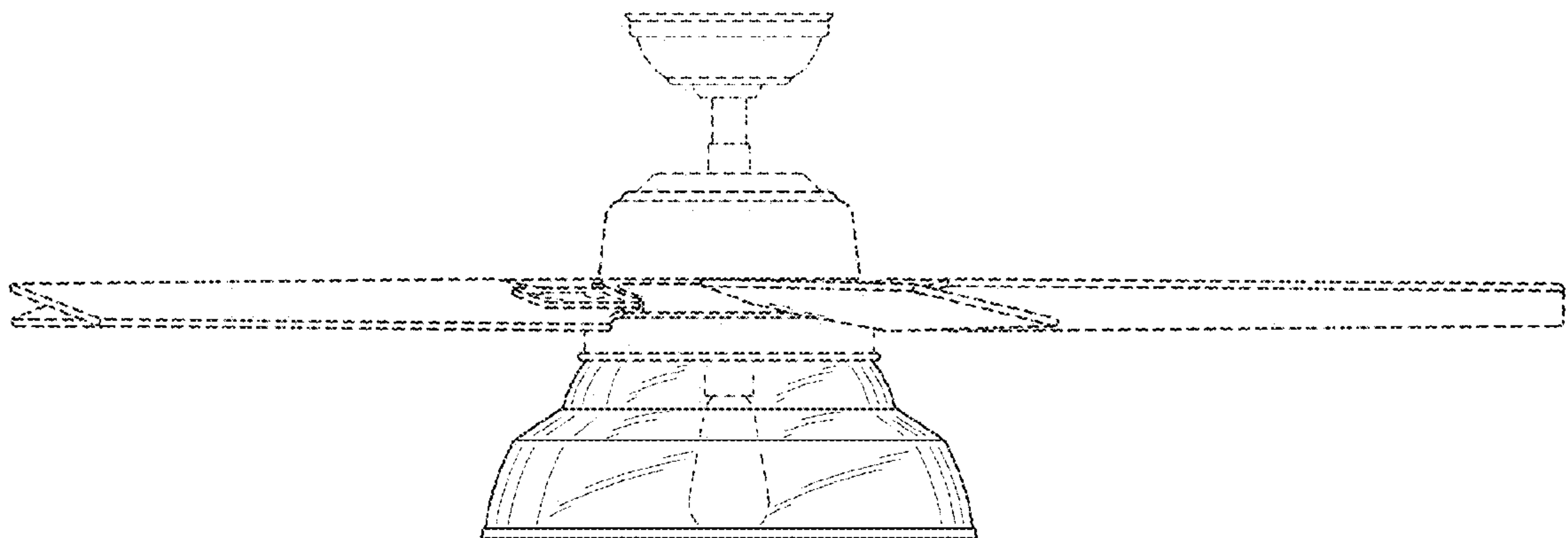


FIG. 8