



US00D893072S

(12) **United States Design Patent**
Niemiec et al.

(10) **Patent No.:** **US D893,072 S**

(45) **Date of Patent:** **** Aug. 11, 2020**

(54) **COMBINED FAN AND LED LIGHT FIXTURE**

(71) Applicants: **Darrin Walter Niemiec**, Schaumburg, IL (US); **William J. Carlson**, Schaumburg, IL (US)

(72) Inventors: **Darrin Walter Niemiec**, Schaumburg, IL (US); **William J. Carlson**, Schaumburg, IL (US)

(73) Assignee: **WLC Enterprises, Inc.**, Schaumburg, IL (US)

(**) Term: **15 Years**

(21) Appl. No.: **29/603,255**

(22) Filed: **May 8, 2017**

(51) **LOC (12) Cl.** **26-05**

(52) **U.S. Cl.**
USPC **D26/59**

(58) **Field of Classification Search**
USPC D23/328, 370, 372, 377, 381, 382, 385;
D26/24, 51, 59, 62, 63, 72, 76, 77, 78,
D26/88, 128-138
CPC F24F 13/078; F04D 25/088; E04B 9/02;
F21V 29/503; F21V 29/673
See application file for complete search history.

(56) **References Cited**

U.S. PATENT DOCUMENTS

- D407,473 S * 3/1999 Wimbock D23/328
- D699,880 S * 2/2014 Szoke D26/74
- 9,052,075 B2 * 6/2015 Demuynck F21S 9/022
- D774,234 S * 12/2016 Plourde D26/76
- 9,574,779 B2 * 2/2017 Ritzer B08B 15/02
- D780,974 S * 3/2017 Scribante D26/76
- D819,861 S * 6/2018 Scribante D26/76

- D862,787 S * 10/2019 Rashidi Doust F04D 25/088
D26/120
- D864,455 S * 10/2019 Sullivan C08G 81/00
D26/76
- D872,340 S * 1/2020 Chami D26/78
- 2019/0072288 A1 * 3/2019 Niemiec E04B 9/02
- 2019/0257314 A1 * 8/2019 Niemiec F04D 25/088
- 2019/0292315 A1 * 9/2019 Niemiec C08G 81/00

* cited by examiner

Primary Examiner — Sheryl Lane

Assistant Examiner — Calvin E Vansant

(74) *Attorney, Agent, or Firm* — Vitale, Vickrey, Niro, Solon & Gasey LLP

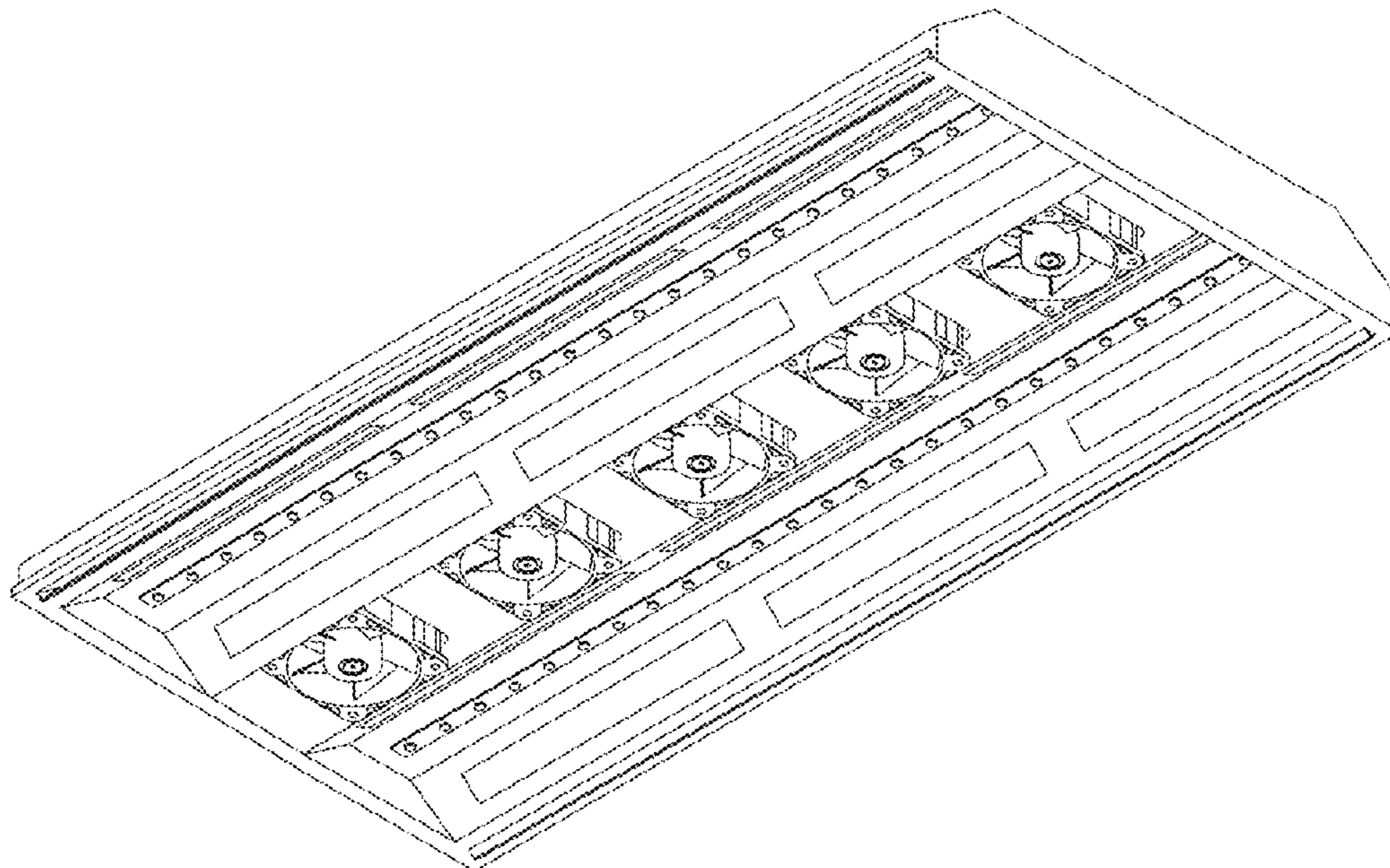
(57) **CLAIM**

The ornamental design of a combination fan and LED light fixture, as shown in the drawings.

DESCRIPTION

FIG. 1 is a perspective view of the bottom of the combination fan and LED light fixture;
 FIG. 2 is a bottom view of the combination fan and LED light fixture;
 FIG. 3 is a perspective view of the top of the combination fan and LED light fixture;
 FIG. 4 is a perspective view of the top of the combination fan and LED light fixture with call outs showing the corners thereof;
 FIG. 5 is a close-up view showing a left corner thereof;
 FIG. 6 is a close-up view showing a right corner thereof;
 FIG. 7 is a top view of the combination fan and LED light fixture; and,
 FIG. 8 is a side view of the combination fan and LED light fixture.
 The dashed lines represent boundaries of the enlarged portions of FIG. 4 and form no part of the claimed design.

1 Claim, 6 Drawing Sheets



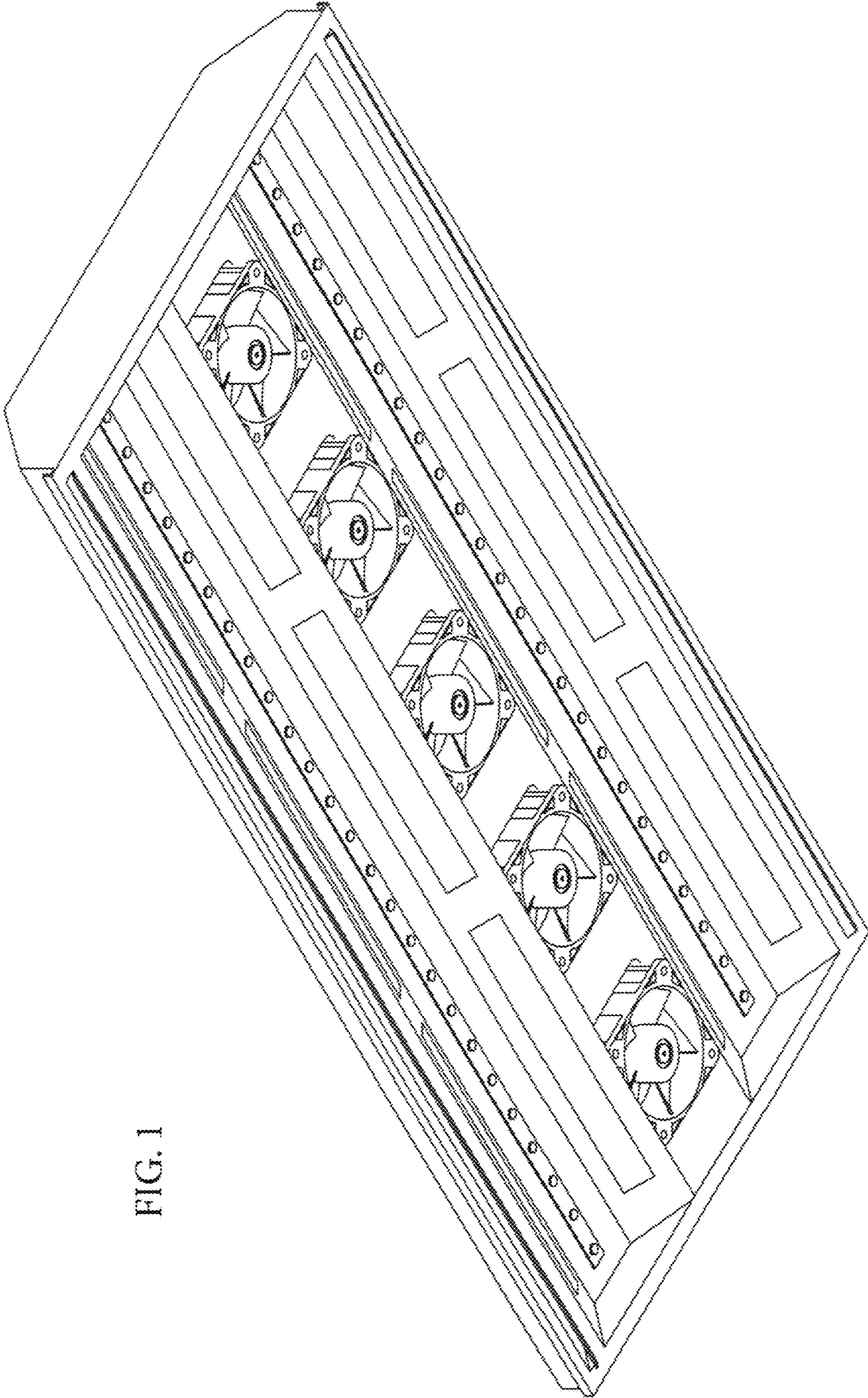
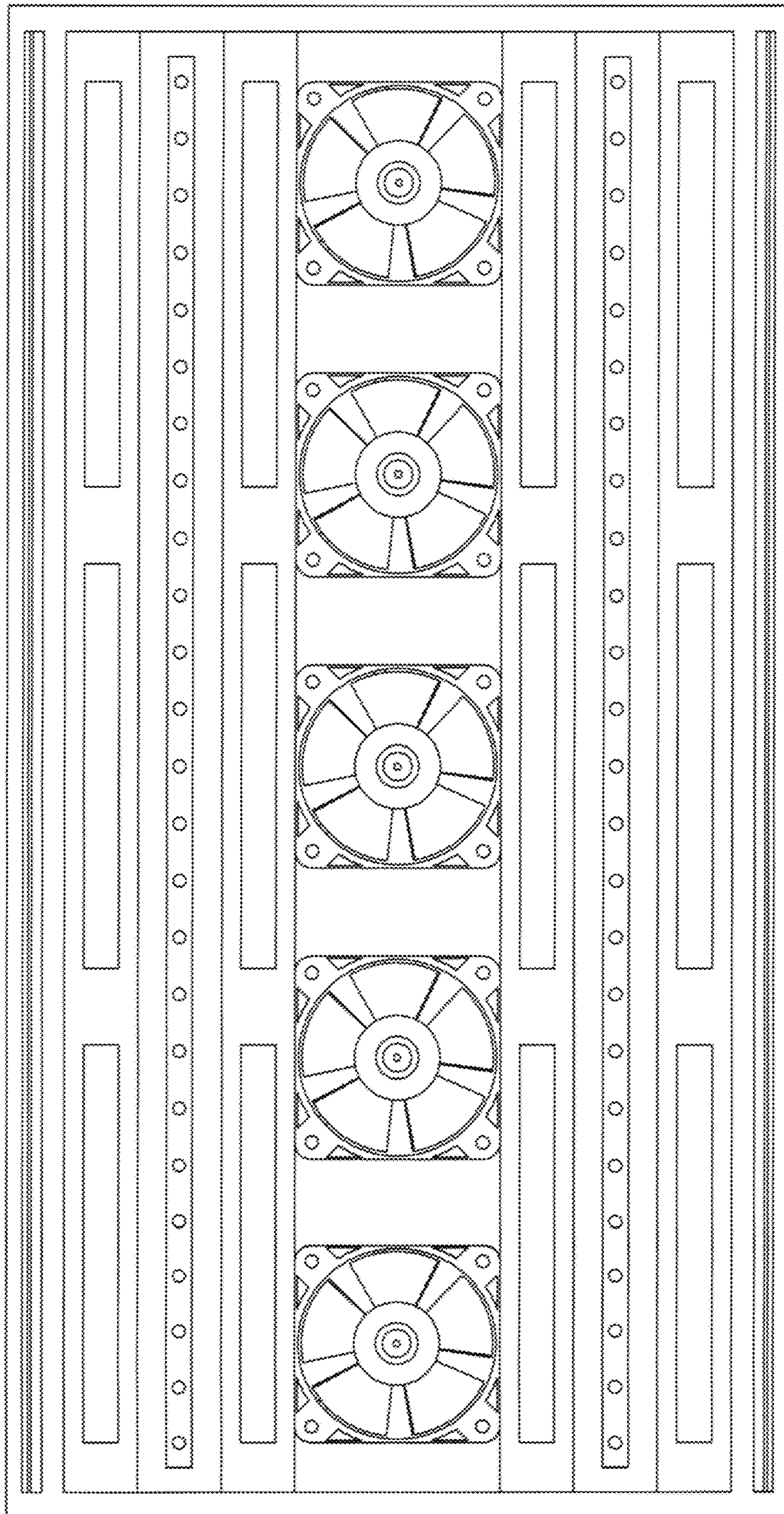


FIG. 1

FIG. 2



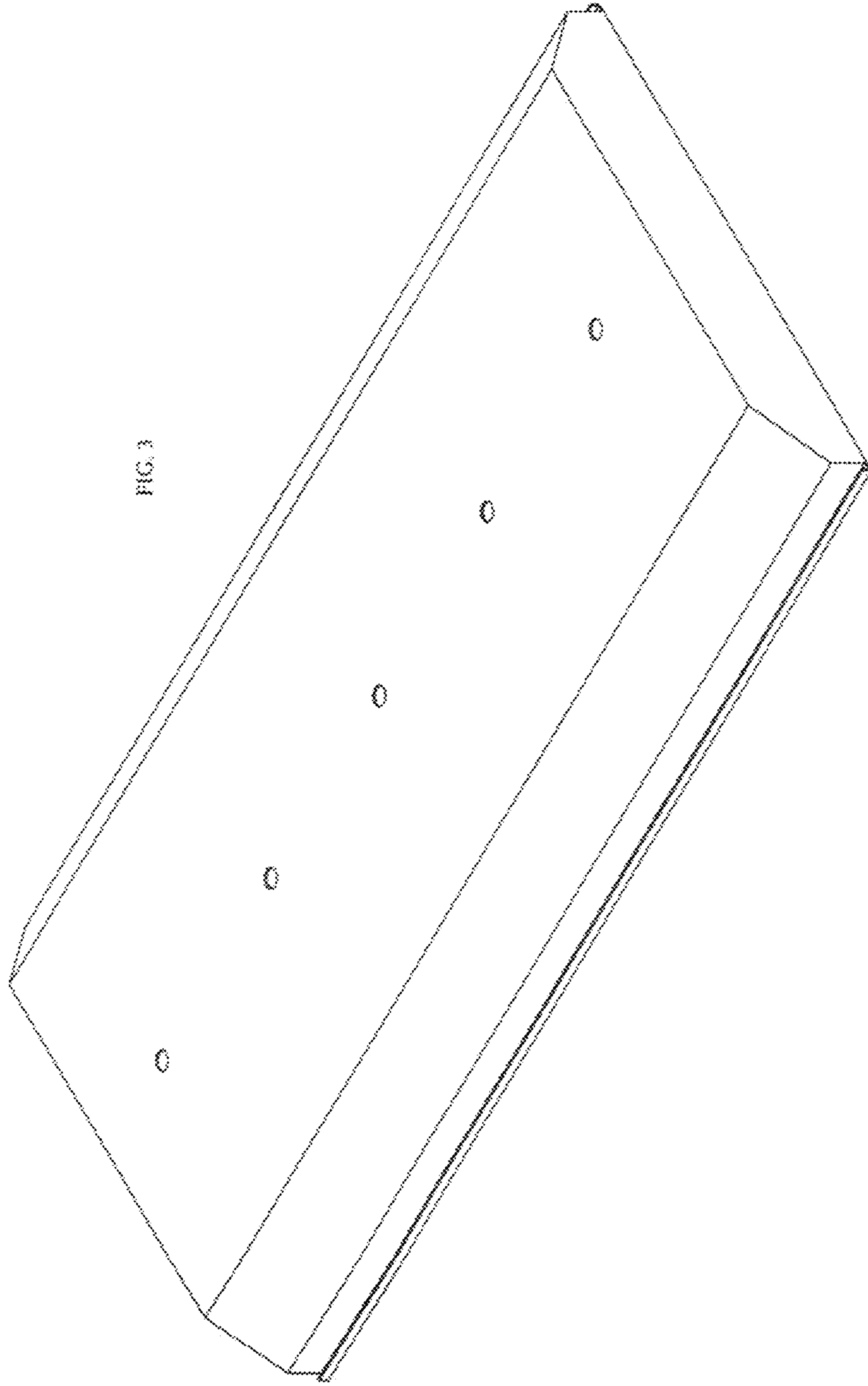
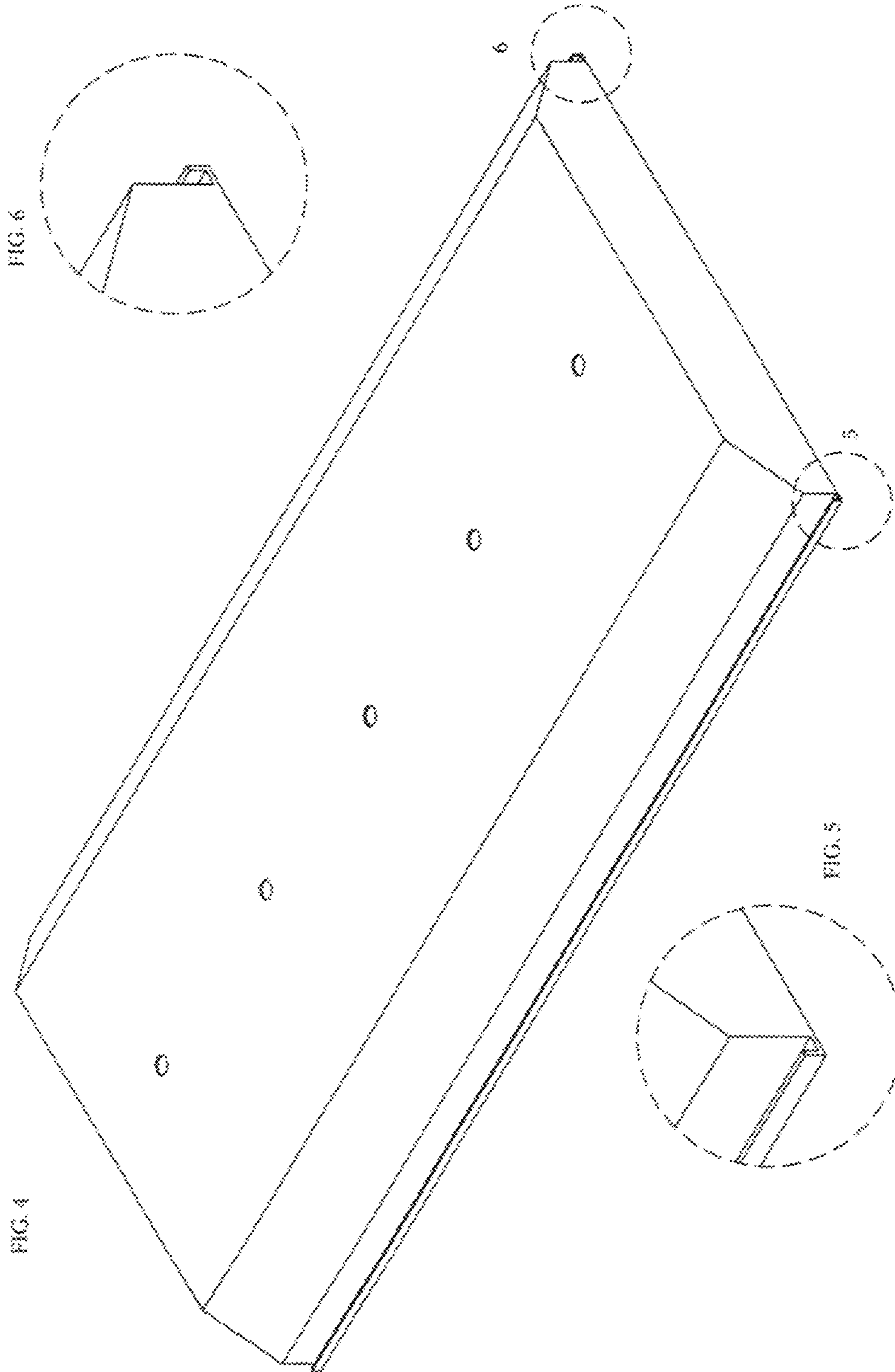


FIG. 3



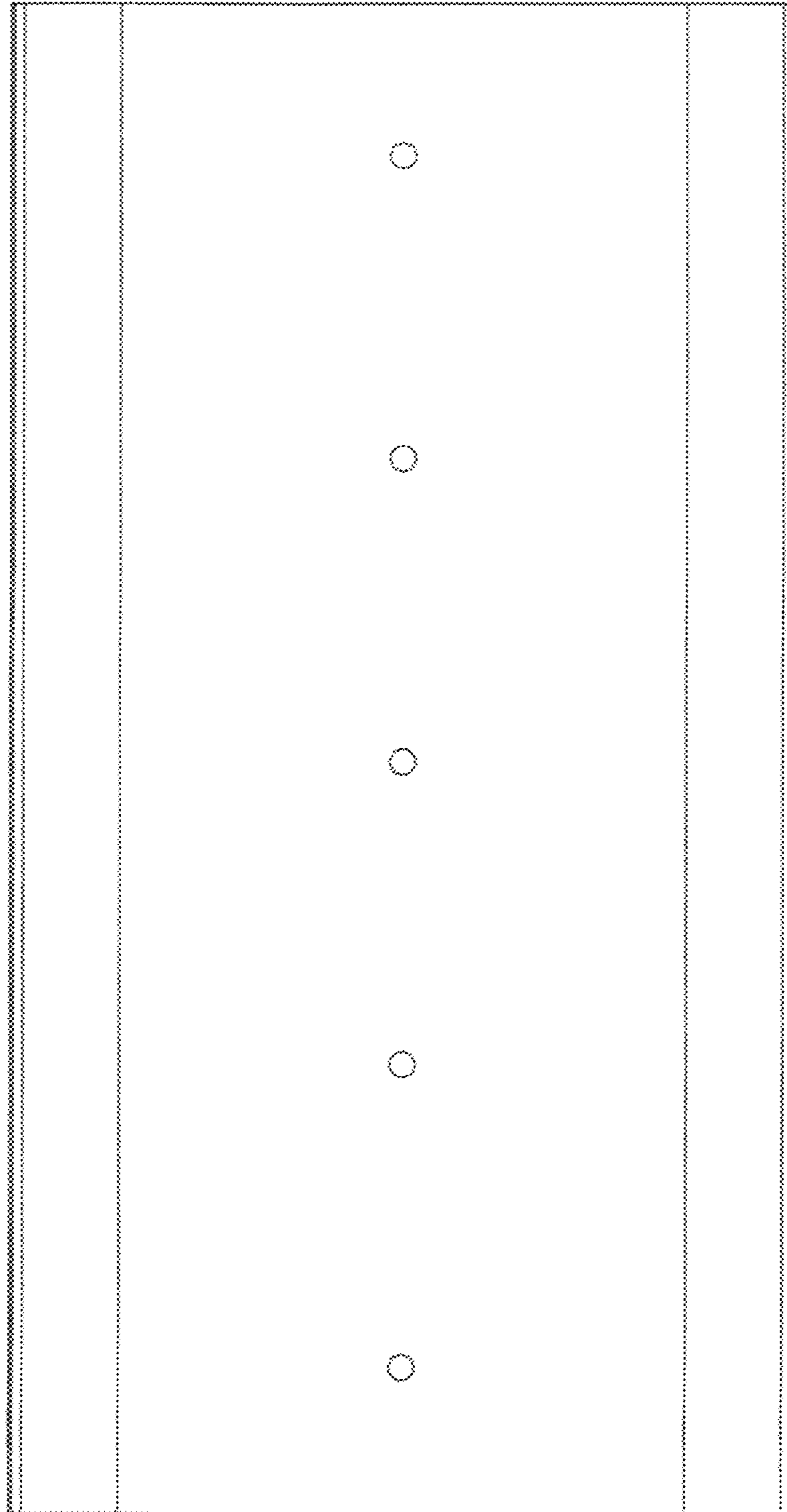


FIG. 7

FIG. 8

