



US00D893070S

(12) **United States Design Patent** (10) **Patent No.:** **US D893,070 S**
Stevenson et al. (45) **Date of Patent:** **** Aug. 11, 2020**

(54) **FLASHLIGHT**

(71) Applicants: **Chad William Stevenson**, Conroe, TX (US); **Bobby John Housos**, Conroe, TX (US); **Kyle Kenneth Fabian**, Montgomery, TX (US)

(72) Inventors: **Chad William Stevenson**, Conroe, TX (US); **Bobby John Housos**, Conroe, TX (US); **Kyle Kenneth Fabian**, Montgomery, TX (US)

(**) Term: **15 Years**

(21) Appl. No.: **29/651,540**

(22) Filed: **Aug. 22, 2018**

(51) **LOC (12) Cl.** **26-02**

(52) **U.S. Cl.**
USPC **D26/49**

(58) **Field of Classification Search**
USPC D26/37-51
CPC F21L 2003/00; F21L 4/00; F21L 4/005; F21L 4/02; F21L 4/025; F21L 4/027; F21L 4/04; F21L 4/08; F21L 2005/00; F21L 7/00; F21L 13/00; F21L 13/04; F21L 13/08; F21L 17/00; F21L 19/00; F21L 25/00; F21L 11/00; F21L 14/02
See application file for complete search history.

(56) **References Cited**

U.S. PATENT DOCUMENTS

D395,719 S *	6/1998	Concari	D26/37
D410,761 S *	6/1999	Chiu	D26/49
D443,090 S *	5/2001	Lam	D26/49
D472,006 S *	3/2003	Fritz	D26/49
D488,877 S *	4/2004	Shin	D26/49
D502,277 S *	2/2005	Chen	D26/49
D523,576 S *	6/2006	Chen	D26/38
7,077,525 B2	7/2006	Fischer et al.		
D551,371 S *	9/2007	Brown	D26/49
D577,451 S *	9/2008	Shiu	D26/49

7,422,344 B2	9/2008	Wu et al.		
D579,595 S *	10/2008	Shiu	D26/49
7,434,955 B2	10/2008	Vickers et al.		
7,534,975 B1	5/2009	Sharrah et al.		
D595,440 S *	6/2009	Rivera	D26/49
D603,988 S *	11/2009	Sharrah	D26/49
7,677,759 B1	3/2010	Leung		
D613,438 S *	4/2010	Liang	D26/49
D637,748 S *	5/2011	Caniparoli	D26/49
D641,901 S *	7/2011	Opolka	D26/49
8,147,089 B2	4/2012	Matthews et al.		

(Continued)

OTHER PUBLICATIONS

Safety-Rated Lighting Tools, Streamlight, Inc.; 12 pages; Dec. 2015.

(Continued)

Primary Examiner — Lakiya G Rogers

Assistant Examiner — Carissa C Fitts

(74) *Attorney, Agent, or Firm* — Kearney, McWilliams & Davis, PLLC; William C. Yarbrough

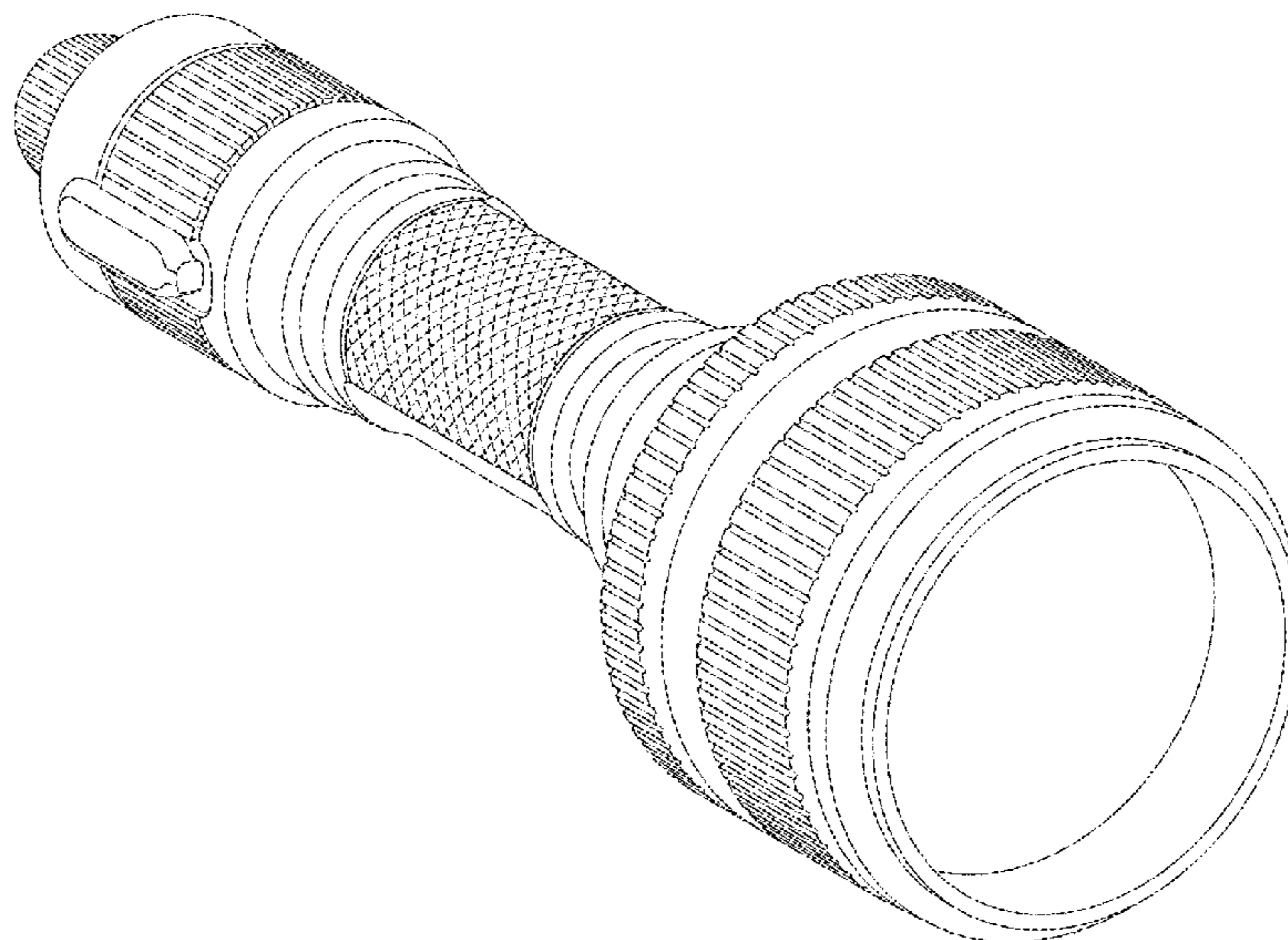
(57) **CLAIM**

The ornamental design for flashlight, as shown and described.

DESCRIPTION

FIG. 1 is a side perspective view of a flashlight, according to our design;
FIG. 2 is a rear perspective view thereof;
FIG. 3 is a side view thereof;
FIG. 4 is a side view thereof;
FIG. 5 is a side view thereof;
FIG. 6 is a side view thereof;
FIG. 7 is a rear view thereof; and,
FIG. 8 is a front view thereof.
The broken lines of FIG. 8 show portions of the article which form no part of the claimed design.

1 Claim, 4 Drawing Sheets



(56)

References Cited

U.S. PATENT DOCUMENTS

8,783,908 B2 7/2014 Gross et al.
D717,481 S * 11/2014 Yong D26/49
D785,839 S * 5/2017 Anderson D26/37
9,951,928 B2 4/2018 Jones

OTHER PUBLICATIONS

Elusive Wildlife Technologies LP. Owner of this U.S. Appl. No. 29/651,540, New Products 2017. 60 Pages; 2017.
Fenix Illuminate Your Adventure. Fenislight Limited, 32 pages; 2015.

* cited by examiner

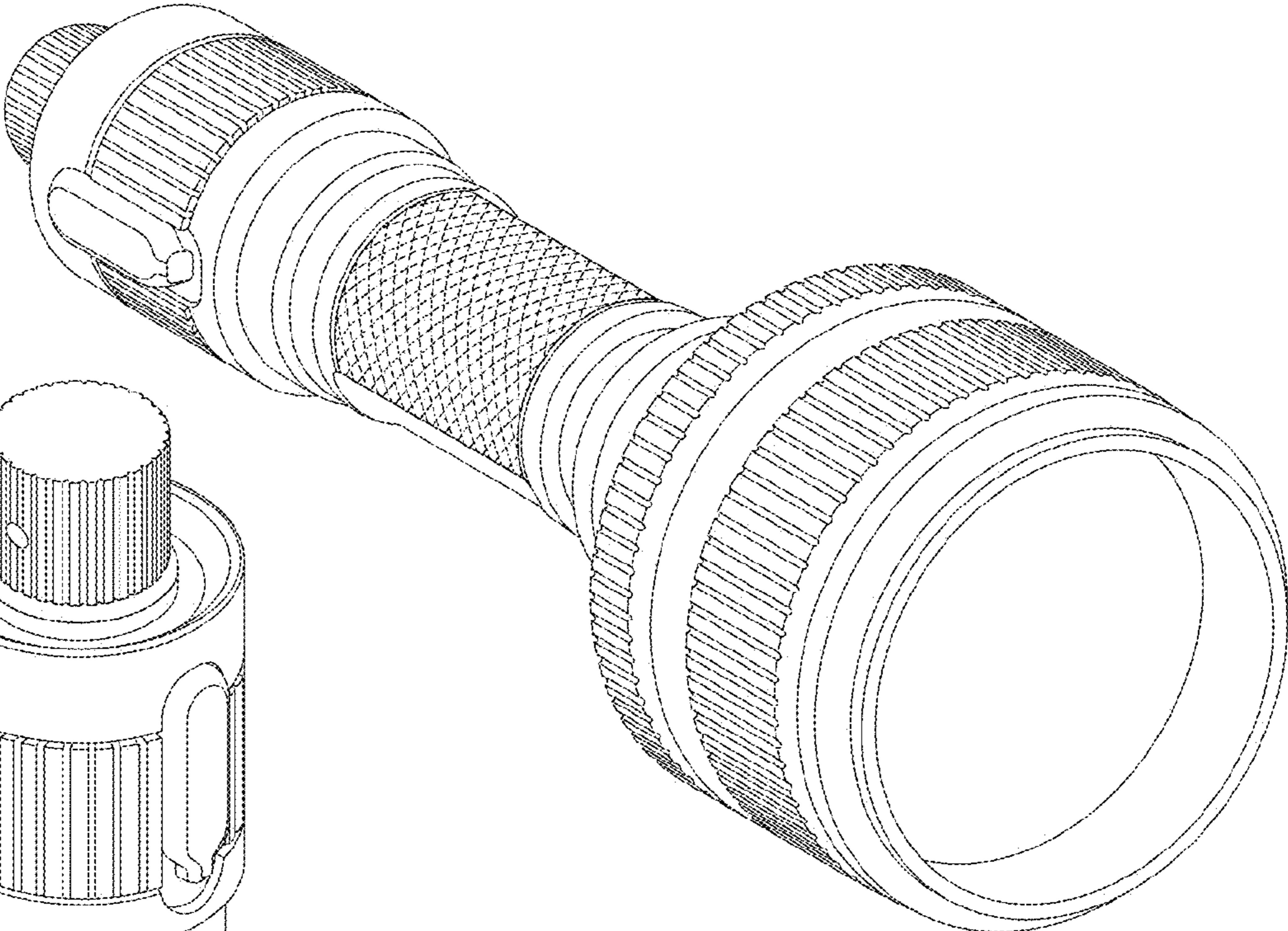


Fig. 1

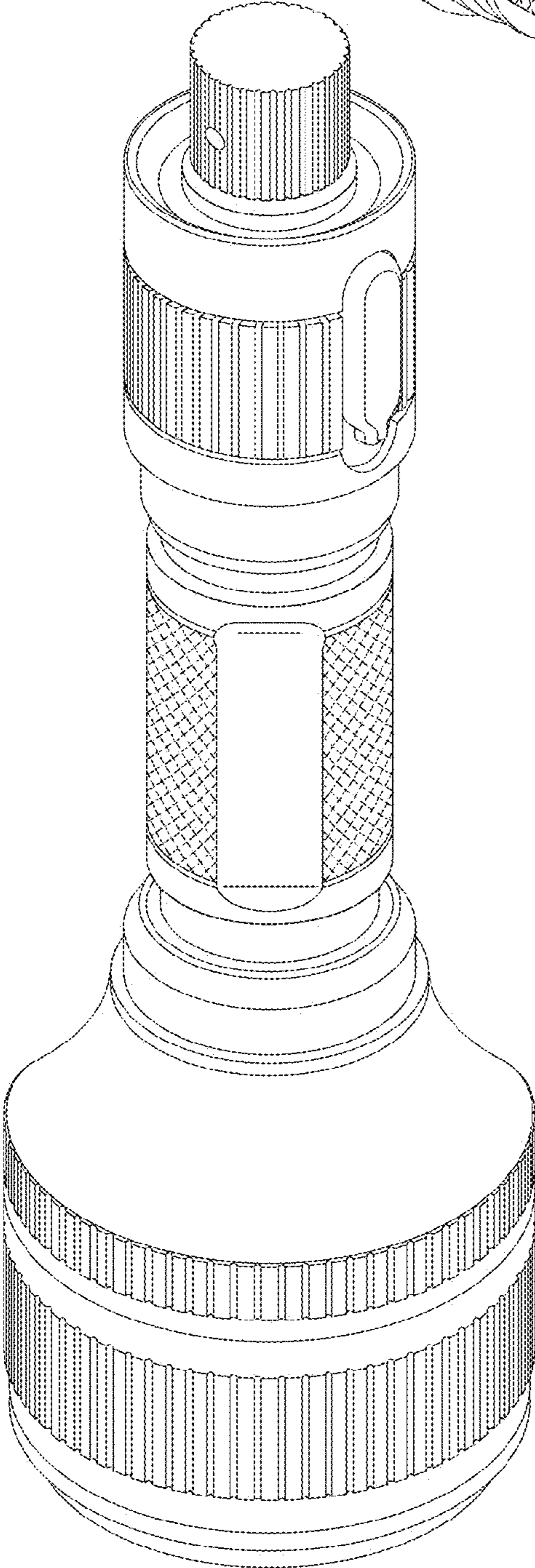


Fig. 2

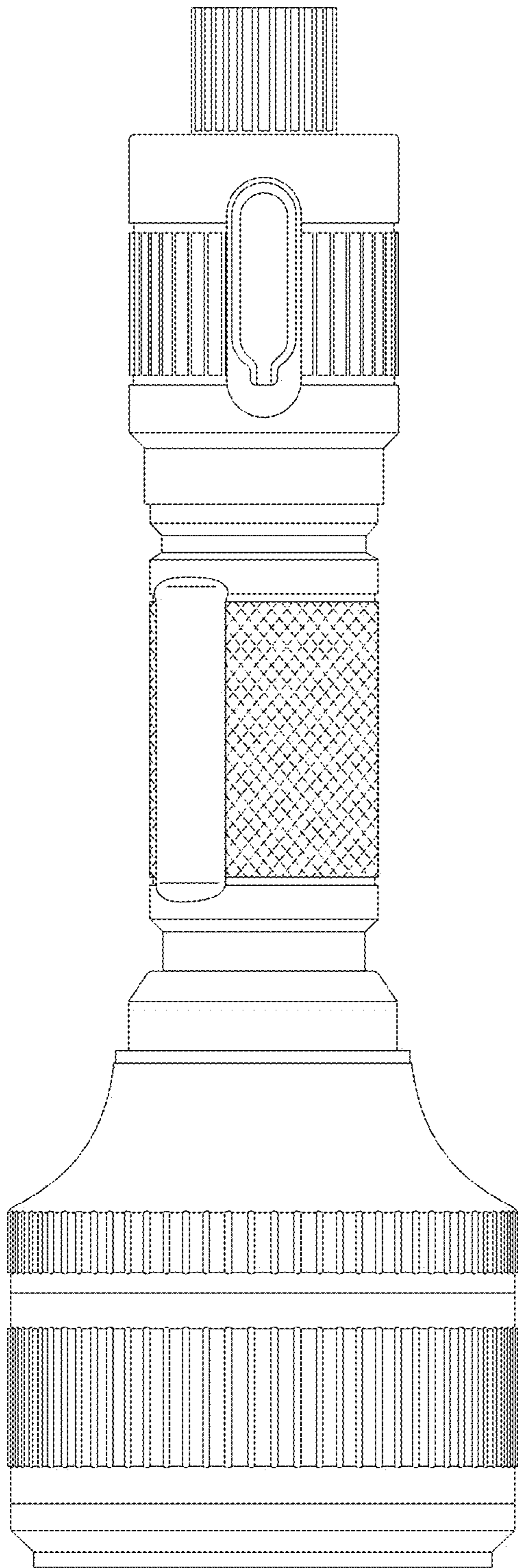


Fig. 3

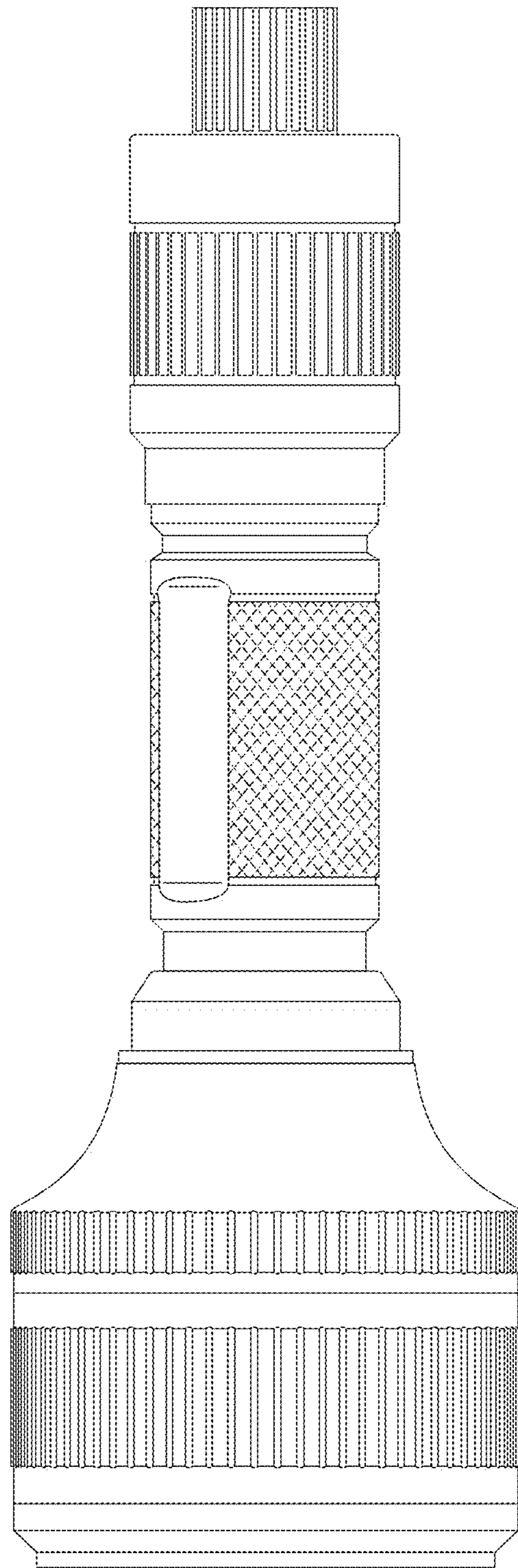


Fig. 4

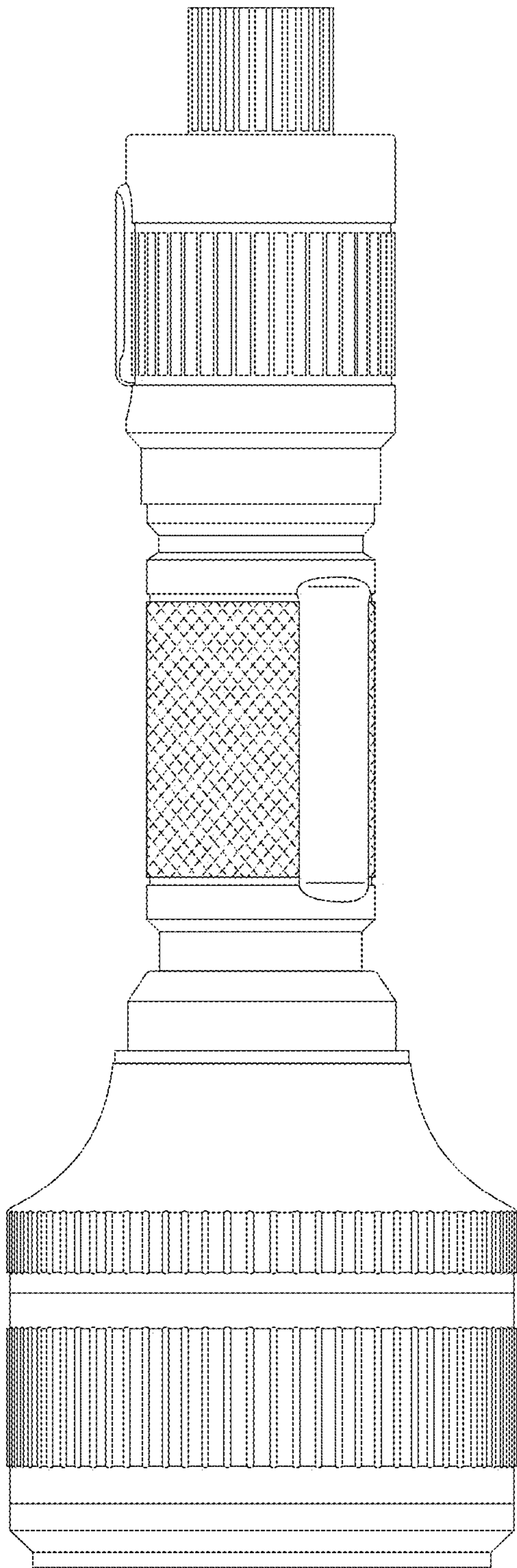


Fig. 5

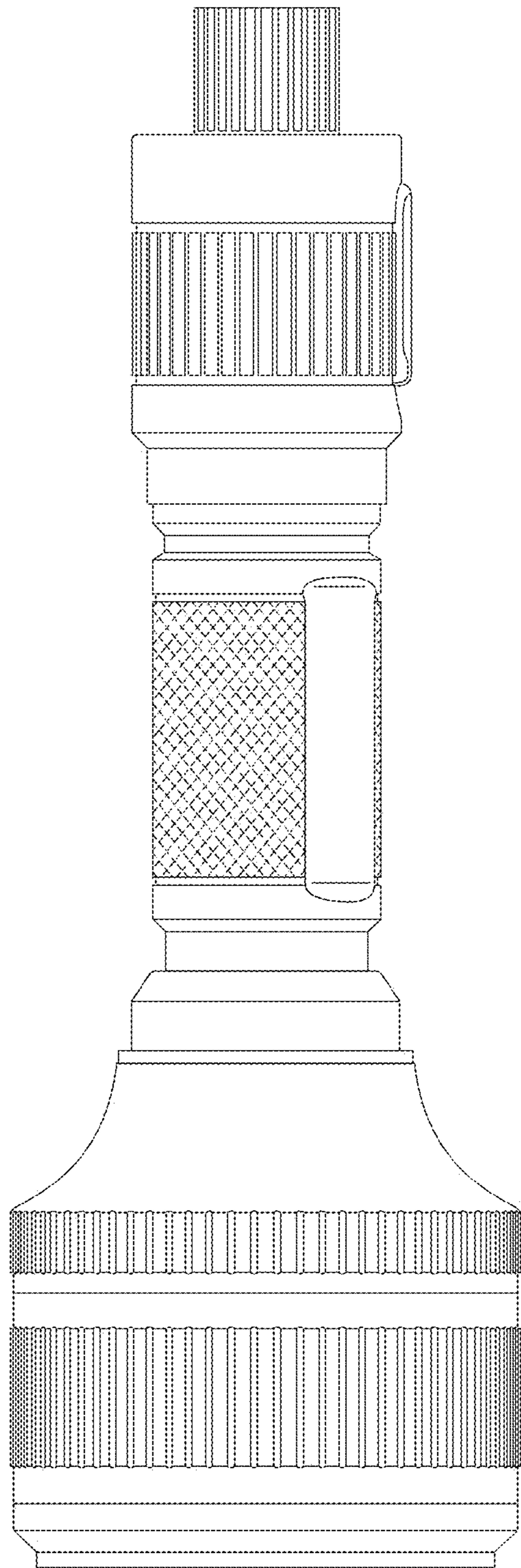


Fig. 6

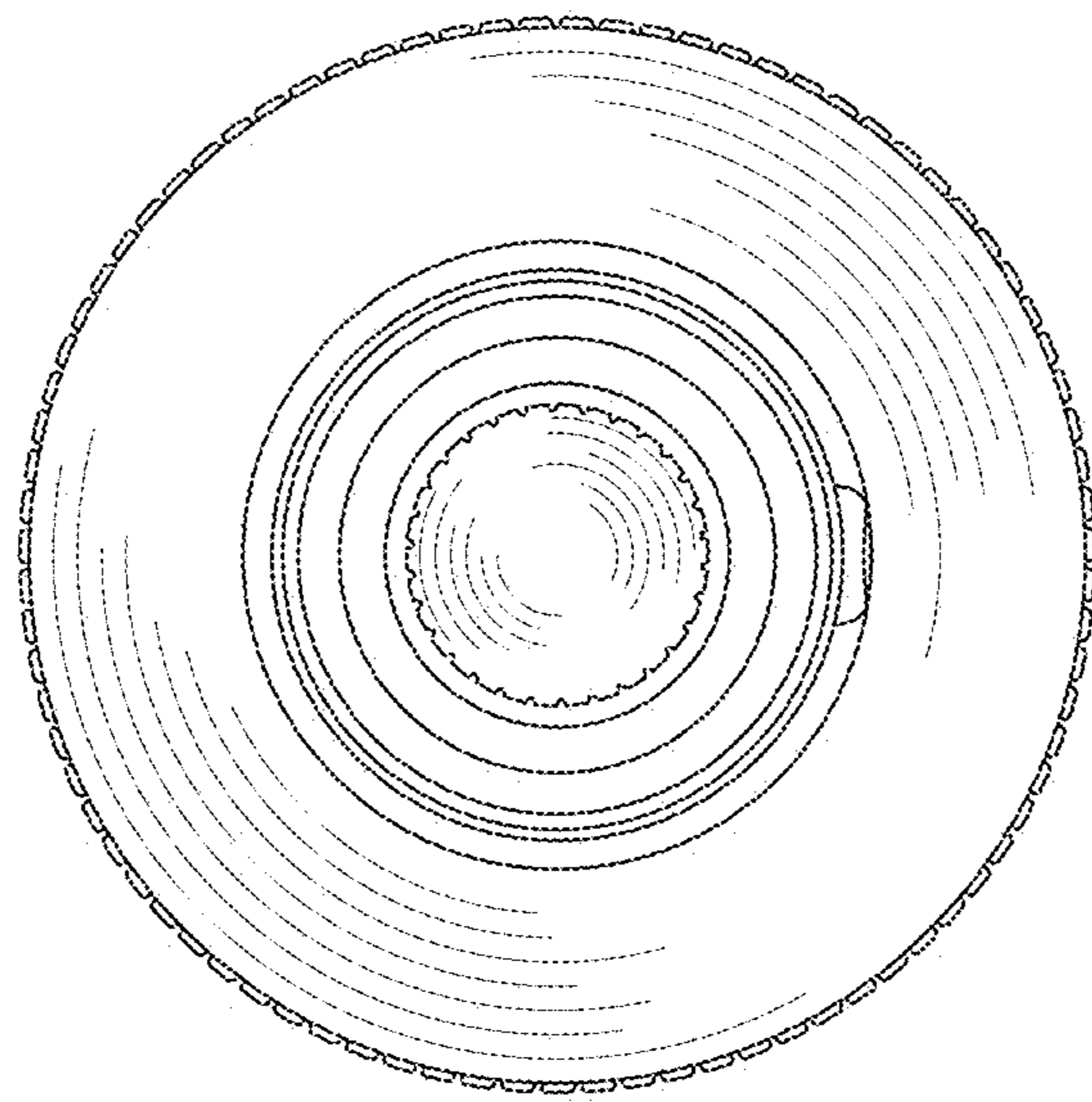


Fig. 7

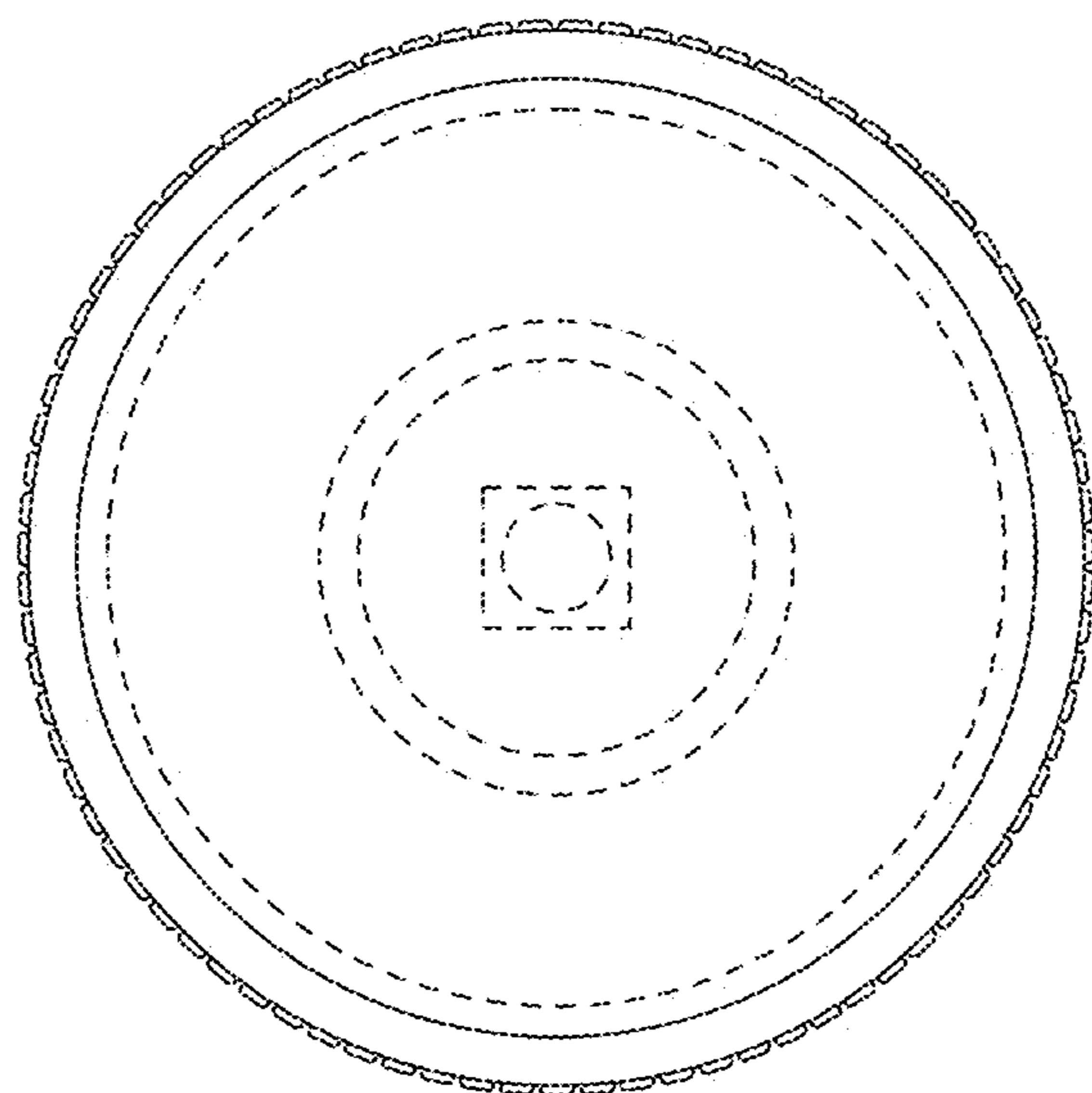


Fig. 8