



US00D893069S

(12) **United States Design Patent**
Bertken

(10) **Patent No.:** **US D893,069 S**

(45) **Date of Patent:** **** Aug. 11, 2020**

(54) **COMBINED UTILITY LIGHT AND DOCKING STATION**

D866,027 S * 11/2019 Cacciabeve D26/37
D875,284 S * 2/2020 Cacciabeve D26/37
D877,948 S * 3/2020 Thompson D26/37

(71) Applicant: **IDEAPOND LLC**, San Diego, CA (US)

* cited by examiner

(72) Inventor: **Dennis Bertken**, San Diego, CA (US)

Primary Examiner — Abraham Bahta

(73) Assignee: **IDEAPOND LLC**, Las Vegas, NV (US)

(74) *Attorney, Agent, or Firm* — US IP Attorneys, P.C.; Timothy Marc Shropshire

(**) Term: **15 Years**

(57) **CLAIM**

The ornamental design for a combined utility light and docking station, as shown and described.

(21) Appl. No.: **29/674,673**

DESCRIPTION

(22) Filed: **Dec. 22, 2018**

(51) **LOC (12) Cl.** **26-02**

(52) **U.S. Cl.**
USPC **D26/37**

(58) **Field of Classification Search**
USPC D26/1, 24, 25, 43, 60, 110, 113, 28, 37, D26/61, 85, 102, 138–140; 362/249.14, 362/311.02, 311.13
CPC F21S 4/00; F21S 4/10; F21S 4/15; F21S 4/26; F21S 2/00; F21V 11/02; F21V 11/06; F21V 17/10; F21V 17/16; F21V 21/0008; F21V 21/00; F21V 21/08; F21V 23/00; F21V 23/04; F21V 33/00; F21W 2121/00; F21W 2121/04; F21Y 2115/10; F21L 4/00; F21L 4/02; F21L 4/04; F21L 4/08

FIG. 1 is a front perspective view of a combined utility light and docking station showing my new design; FIG. 2 is a rear perspective view thereof; FIG. 3 is a front elevational view thereof; FIG. 4 is a rear elevational view thereof; FIG. 5 is a left-side elevational view thereof; FIG. 6 is a right-side elevational view thereof; FIG. 7 is a top plan view thereof; FIG. 8 is a bottom plan view thereof; FIG. 9 is a front perspective view thereof; FIG. 10 is a rear perspective view thereof; FIG. 11 is a front perspective view thereof, showing the utility light port cover in an open position; FIG. 12 is an exploded, front perspective view thereof, the utility light and the docking station shown separated for clarity of disclosure; FIG. 13 is an exploded, rear perspective view thereof, the utility light and the docking station shown separated for clarity of disclosure; FIG. 14 is a rear perspective view of the utility light, showing the support member in a deployed position; and, FIG. 15 is a front perspective view thereof. The broken lines in the drawings depict parts of the combined utility light and docking station that form no part of the claimed design.

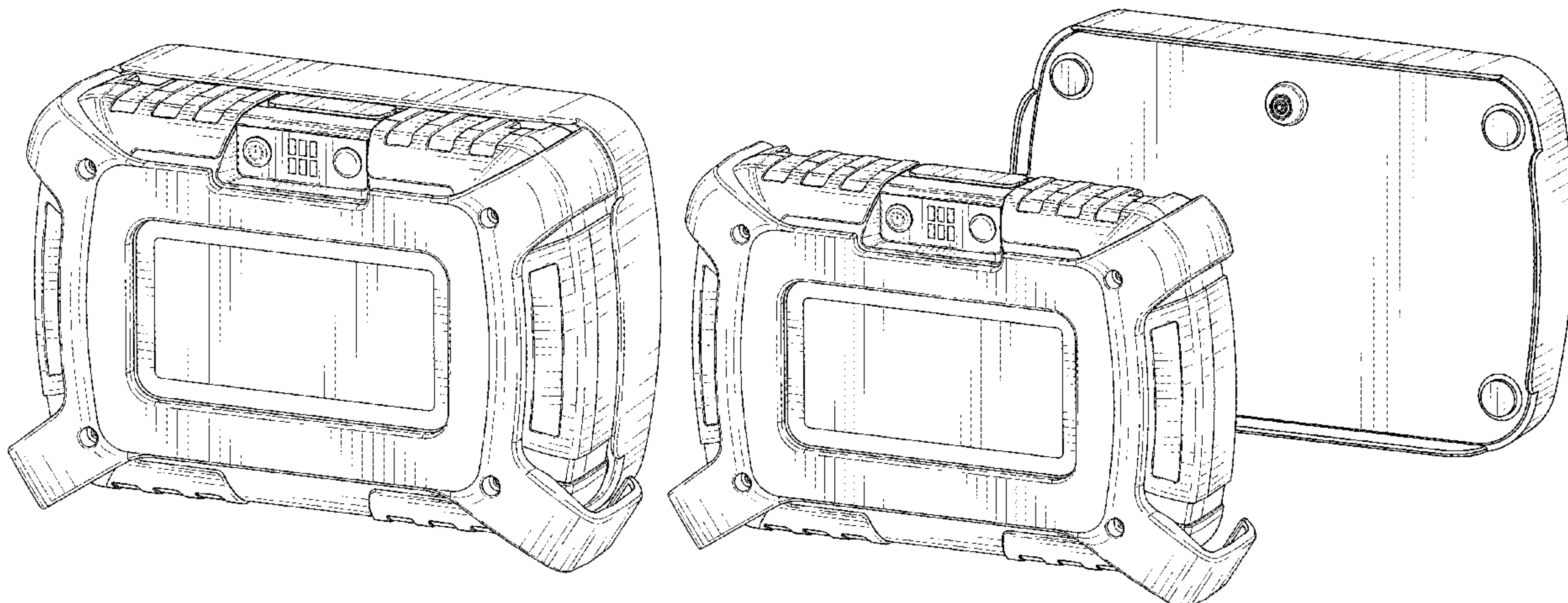
See application file for complete search history.

(56) **References Cited**

U.S. PATENT DOCUMENTS

D583,693 S * 12/2008 Ross D10/102
D861,209 S * 9/2019 Cooper D26/37

1 Claim, 14 Drawing Sheets



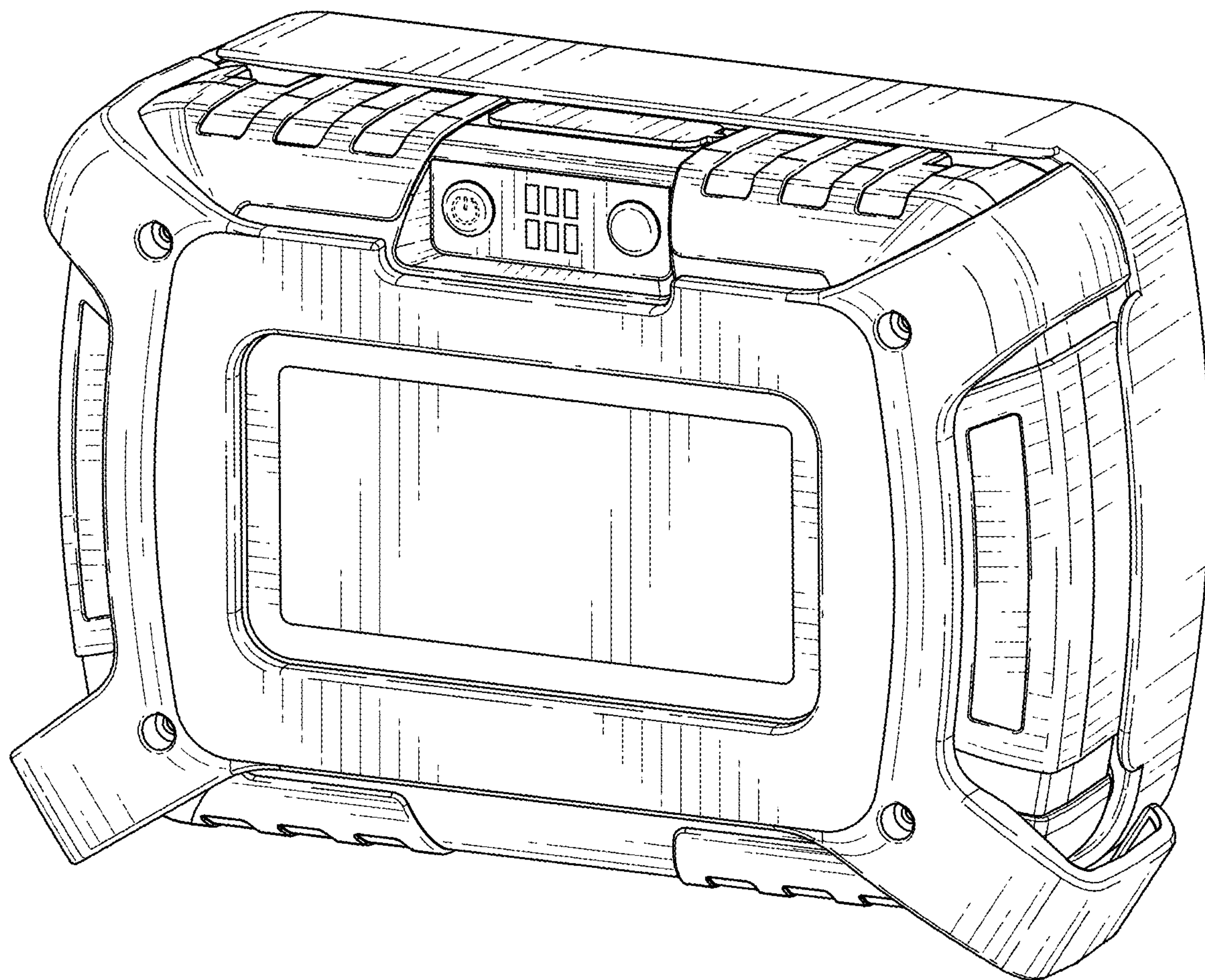


FIG. 1

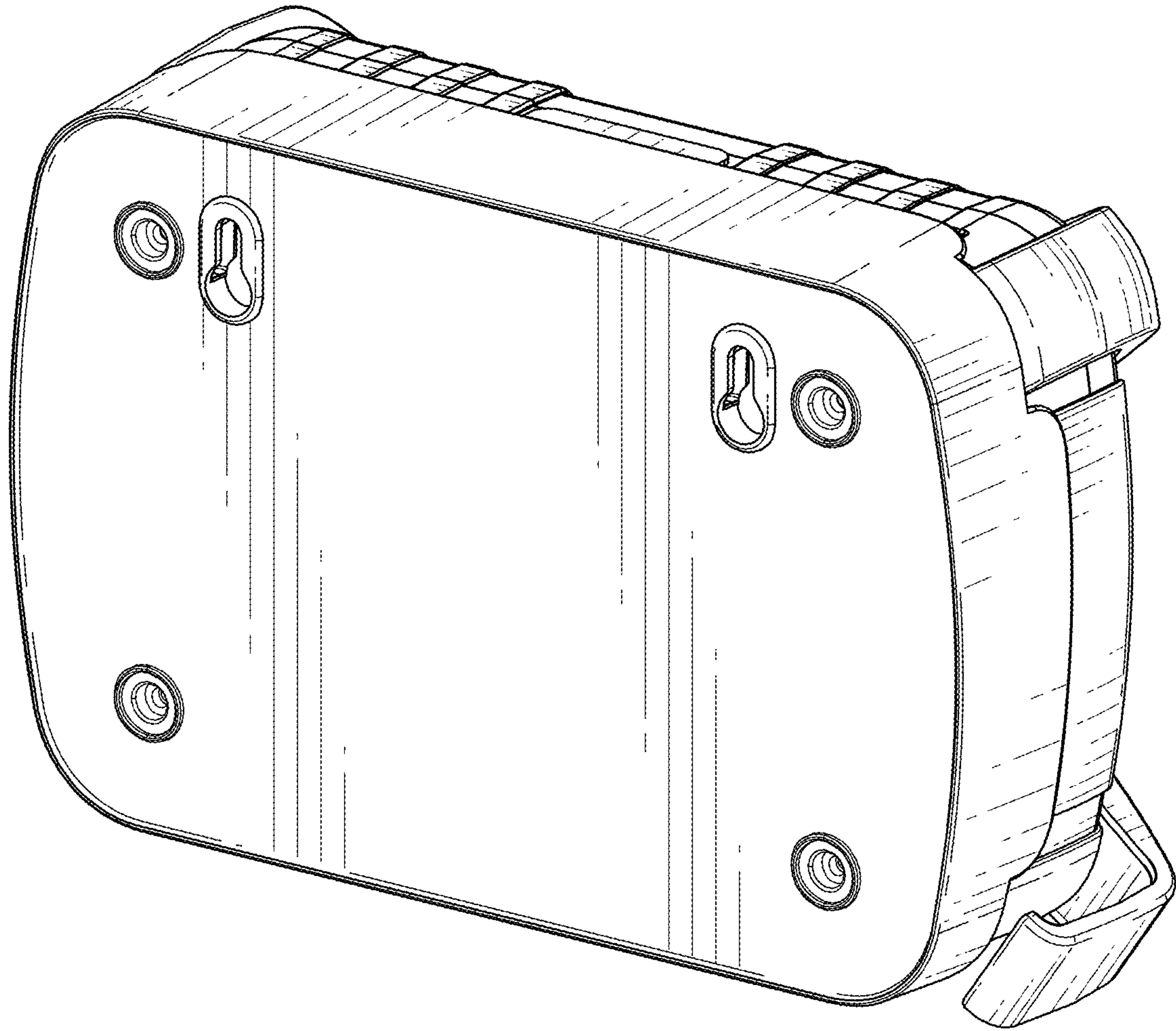


FIG. 2

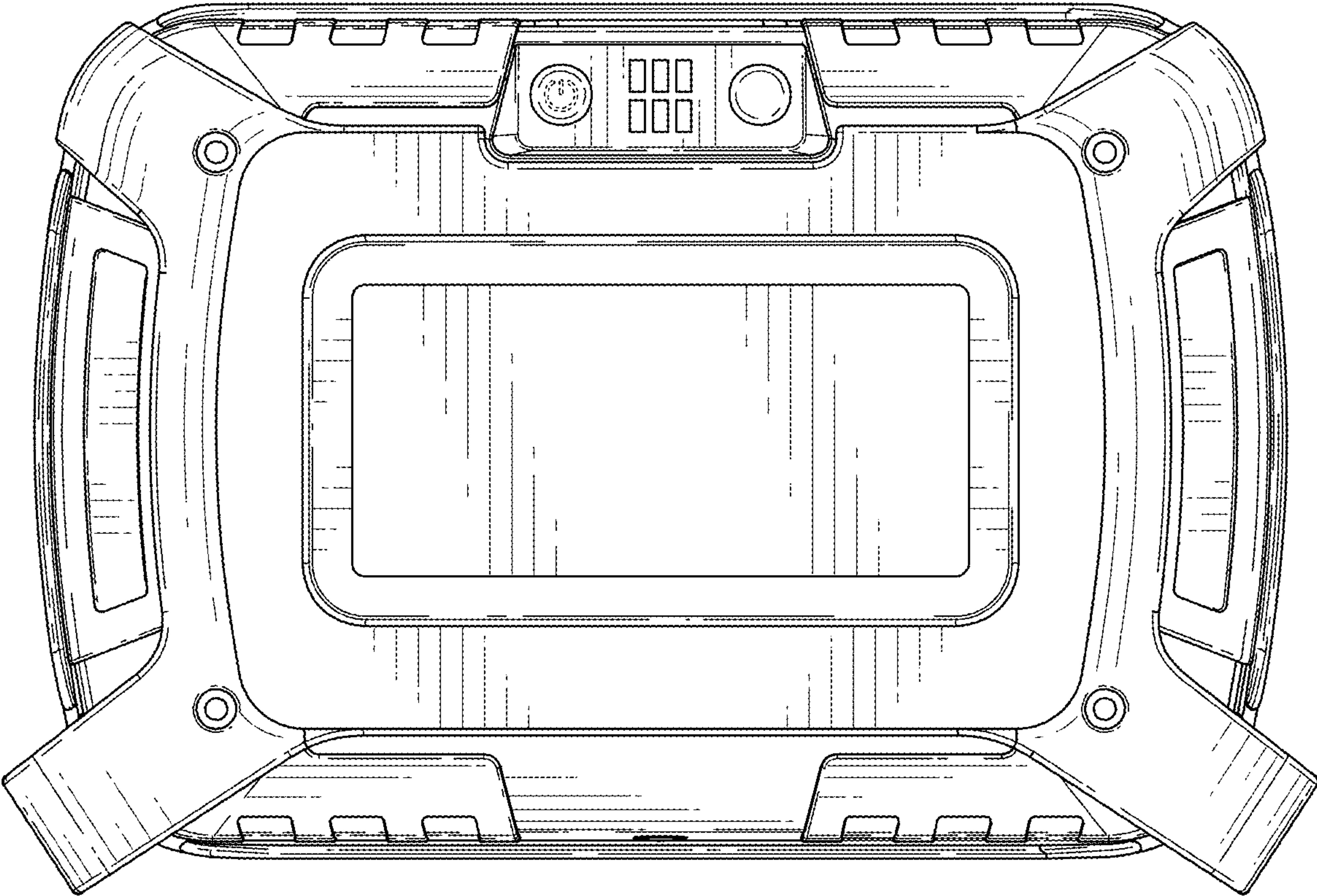


FIG. 3

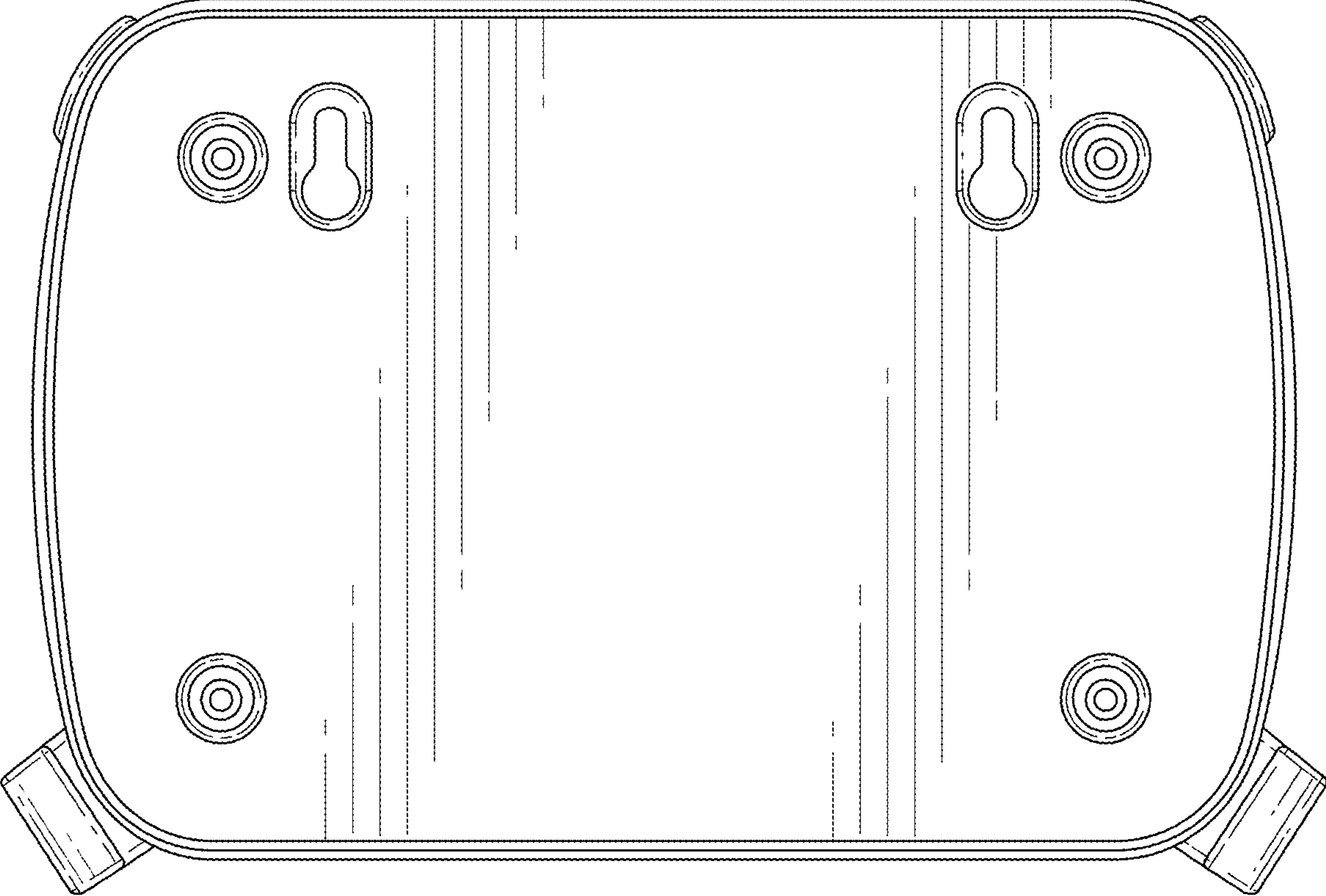


FIG. 4

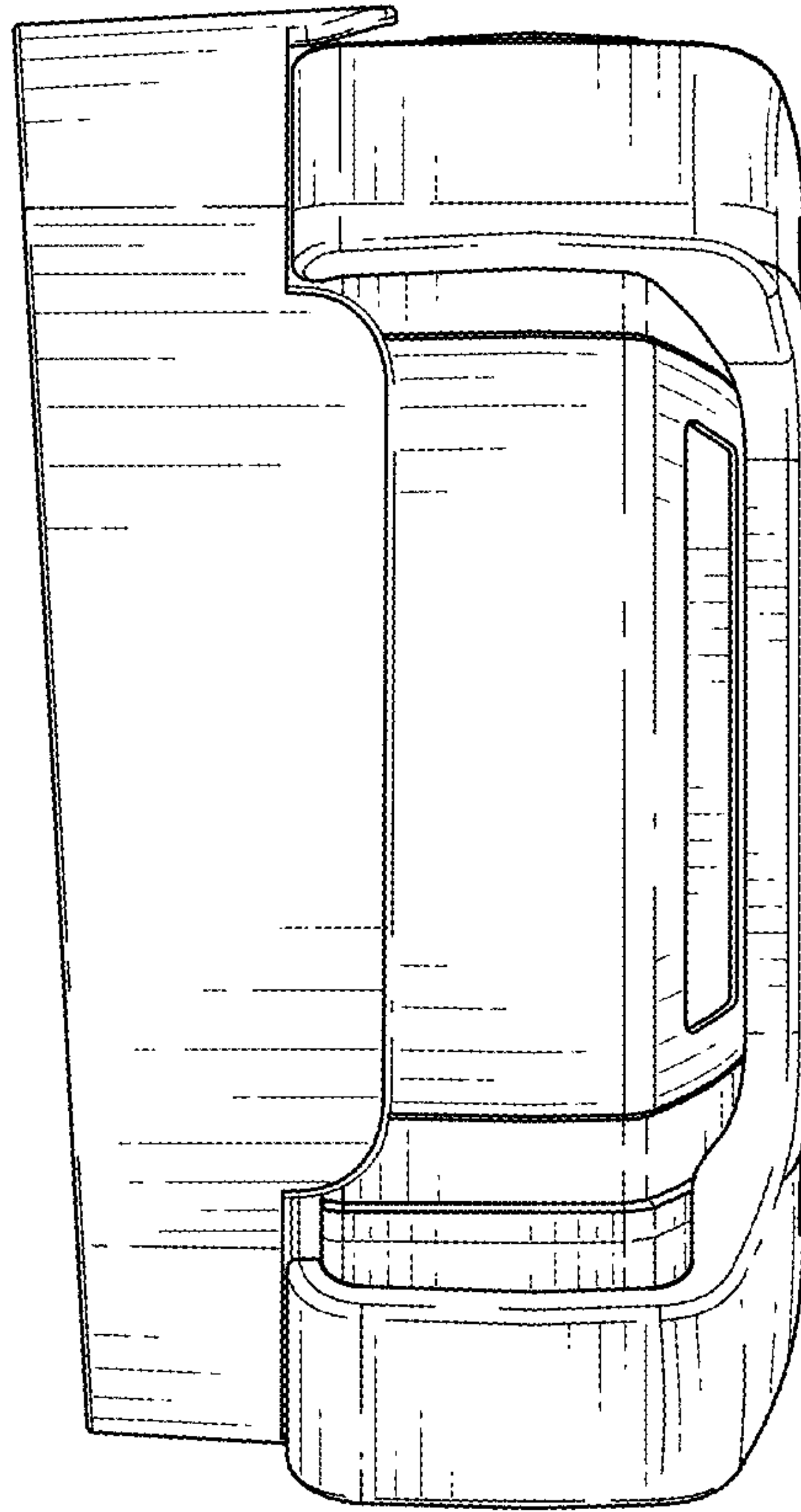


FIG. 5

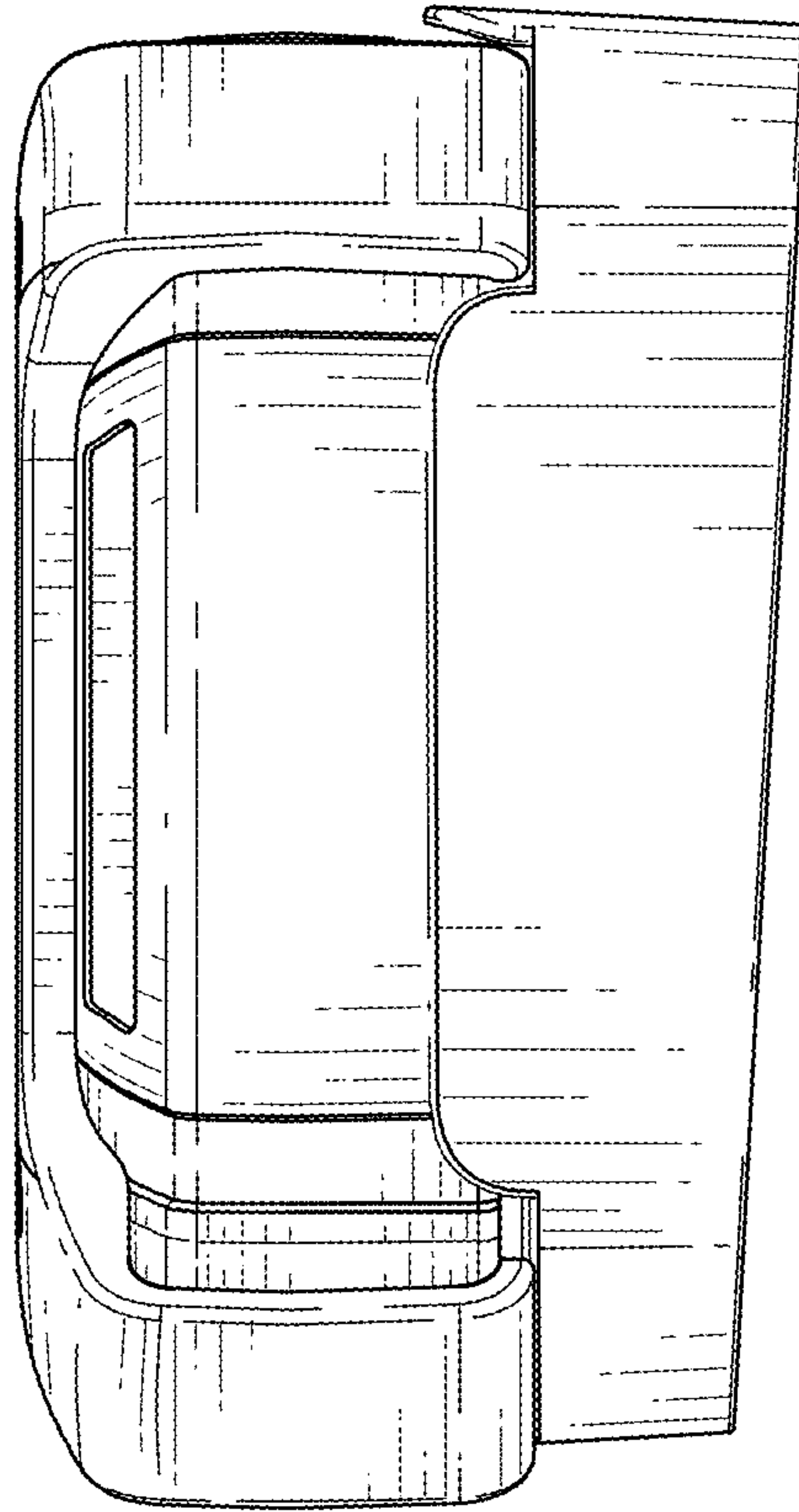


FIG. 6

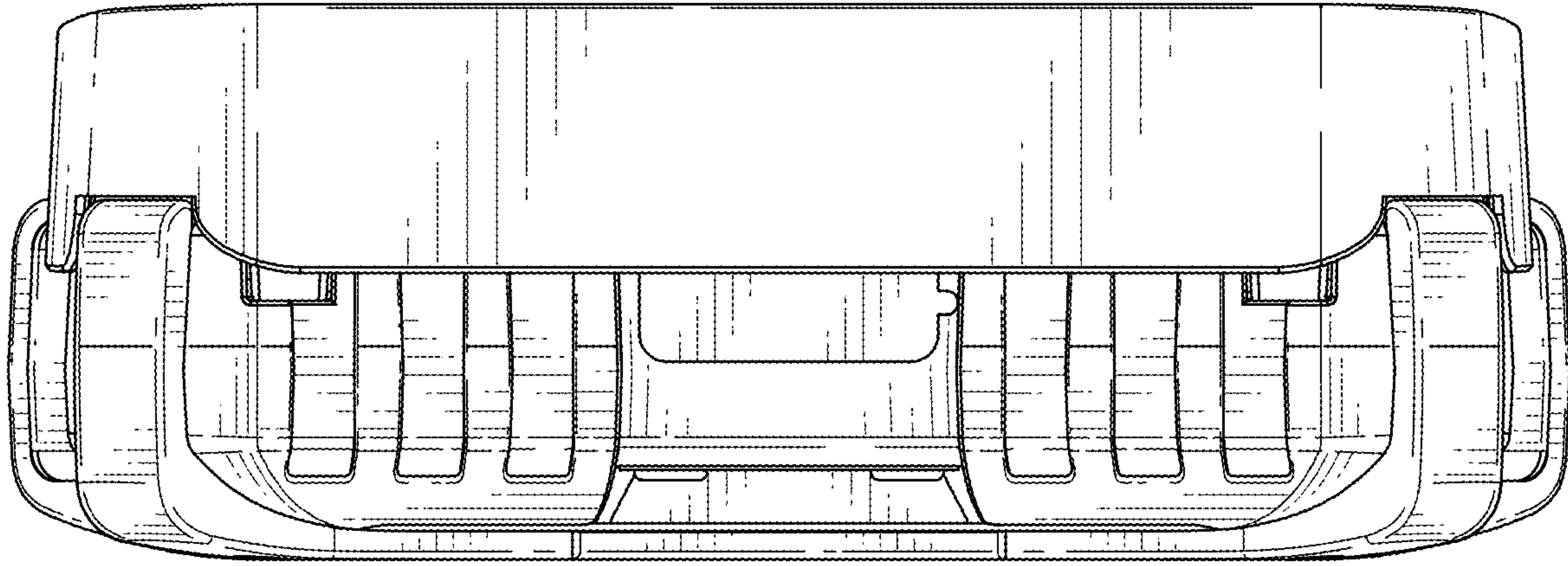


FIG. 7

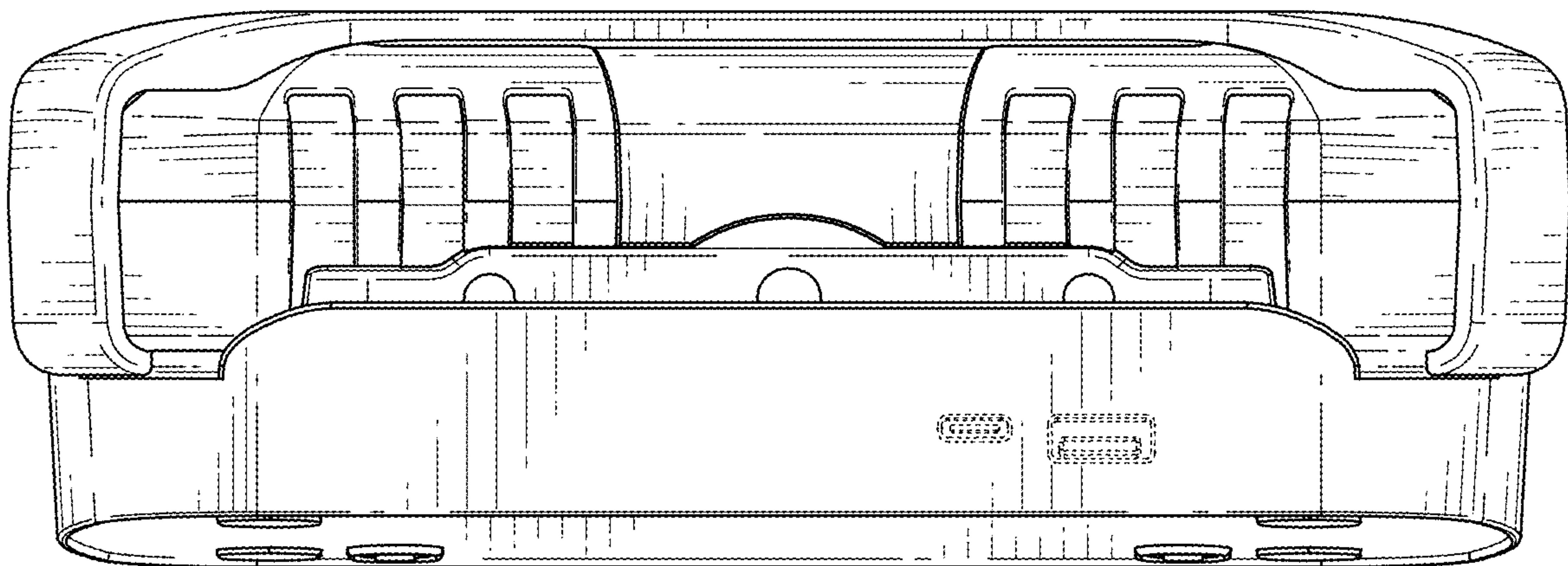


FIG. 8

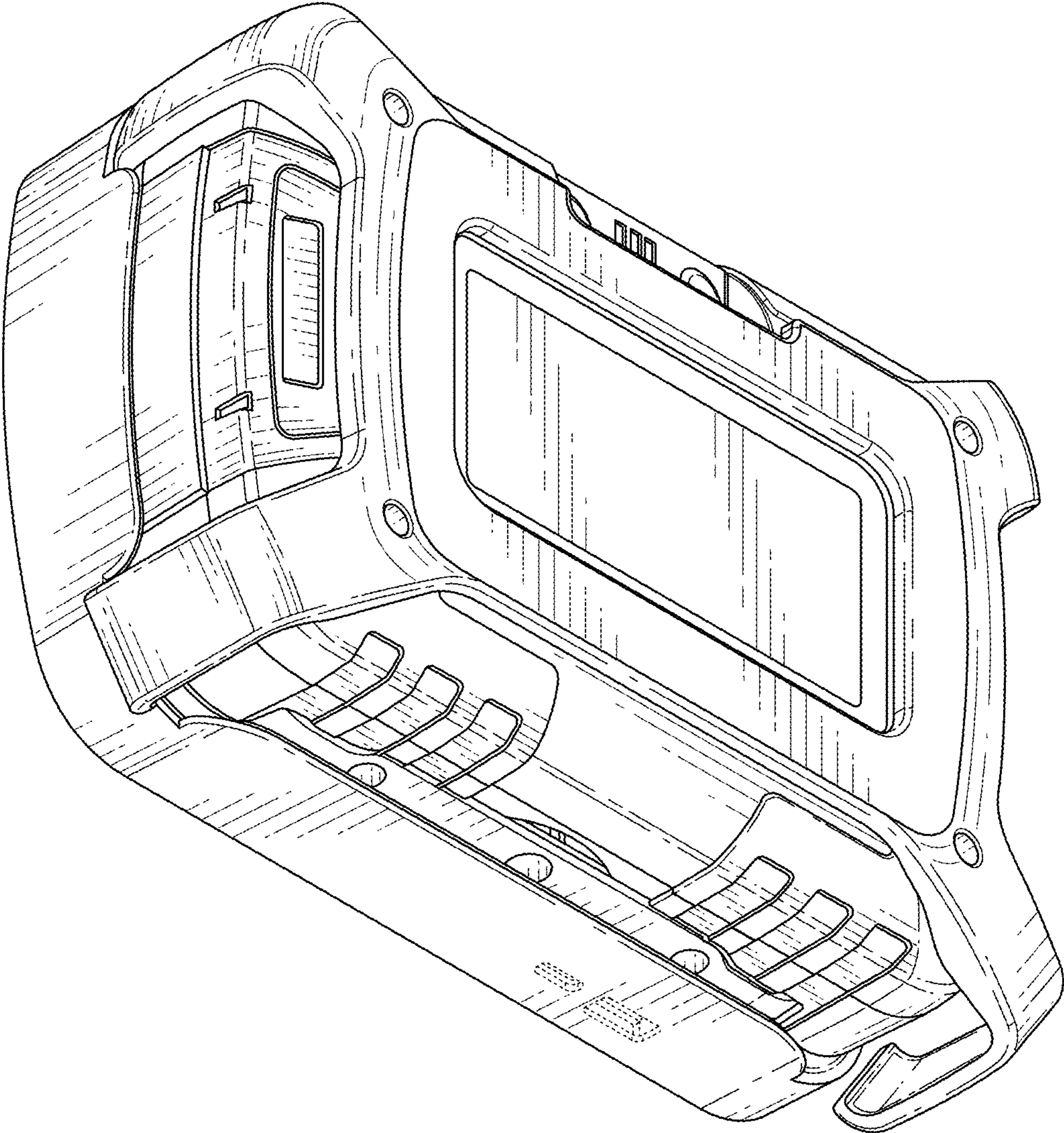


FIG. 9

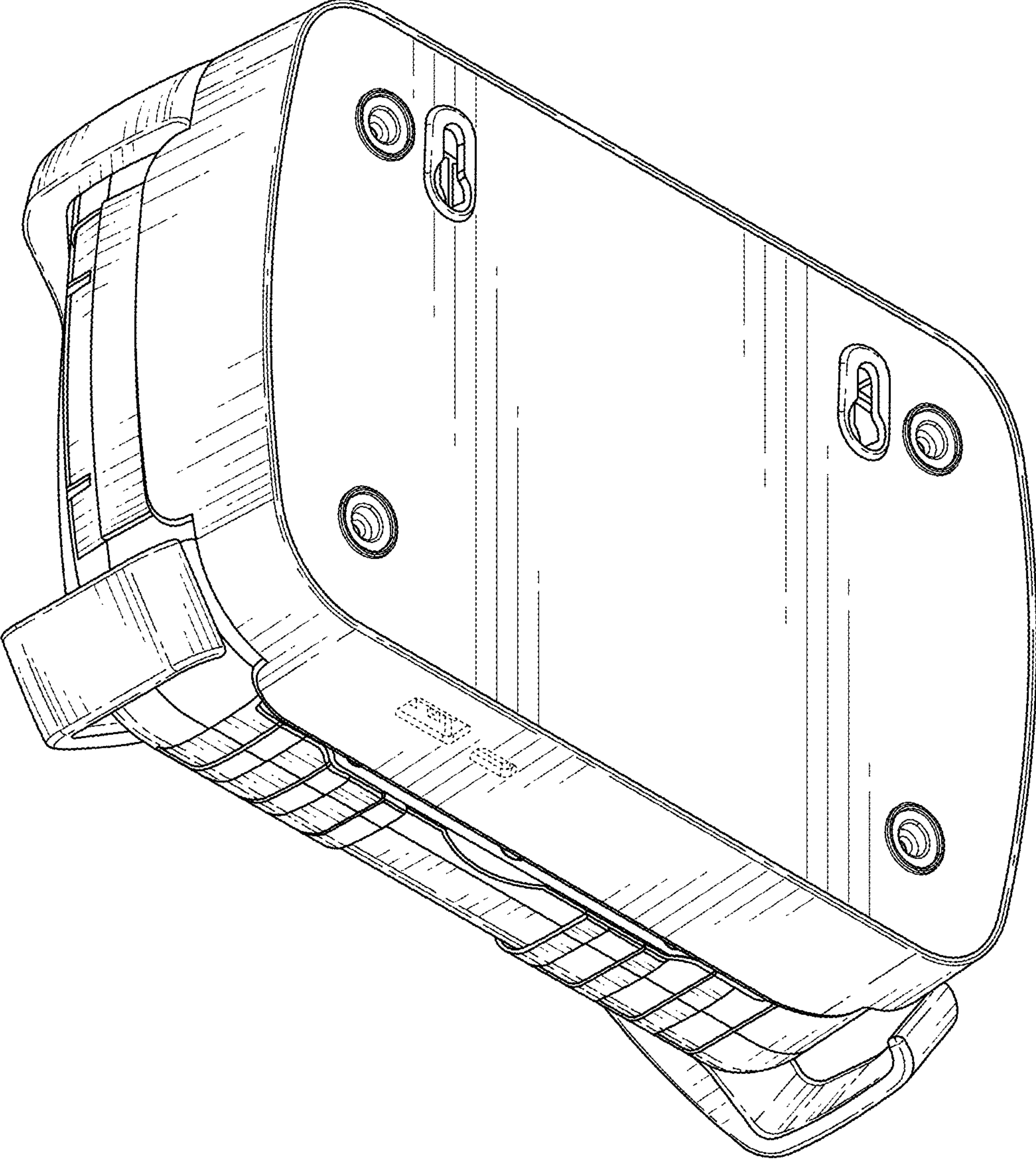


FIG. 10

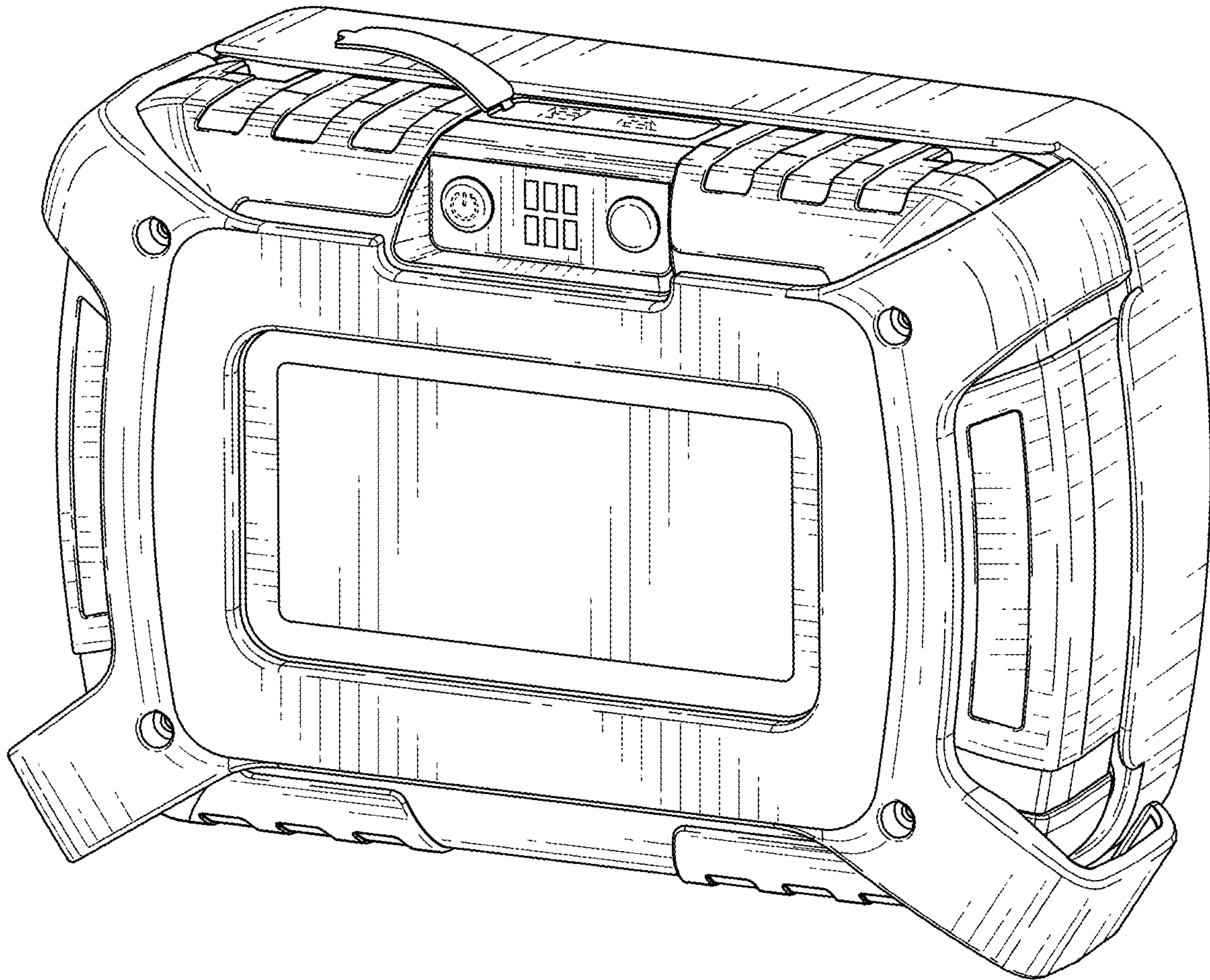


FIG. 11

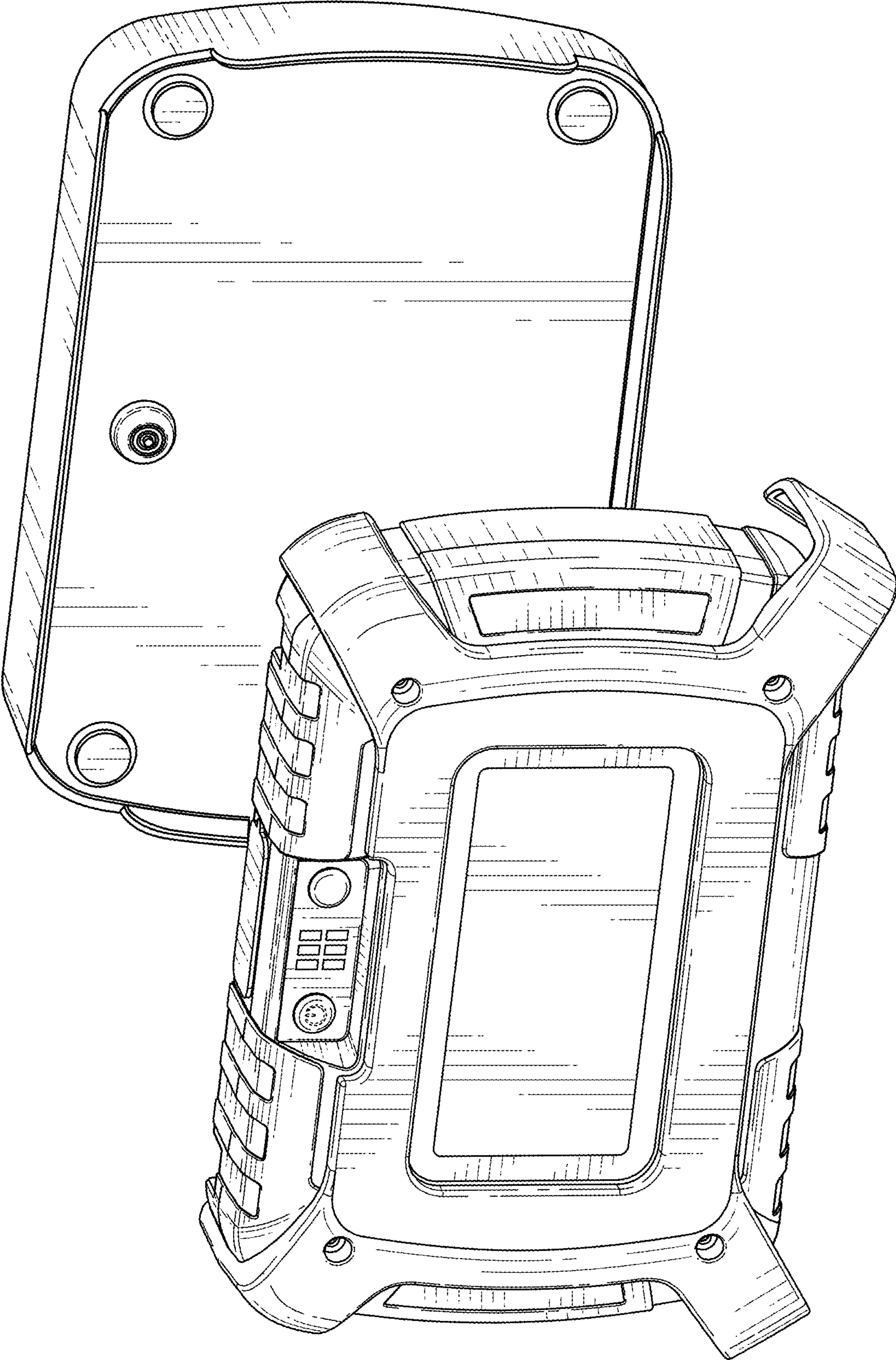


FIG. 12

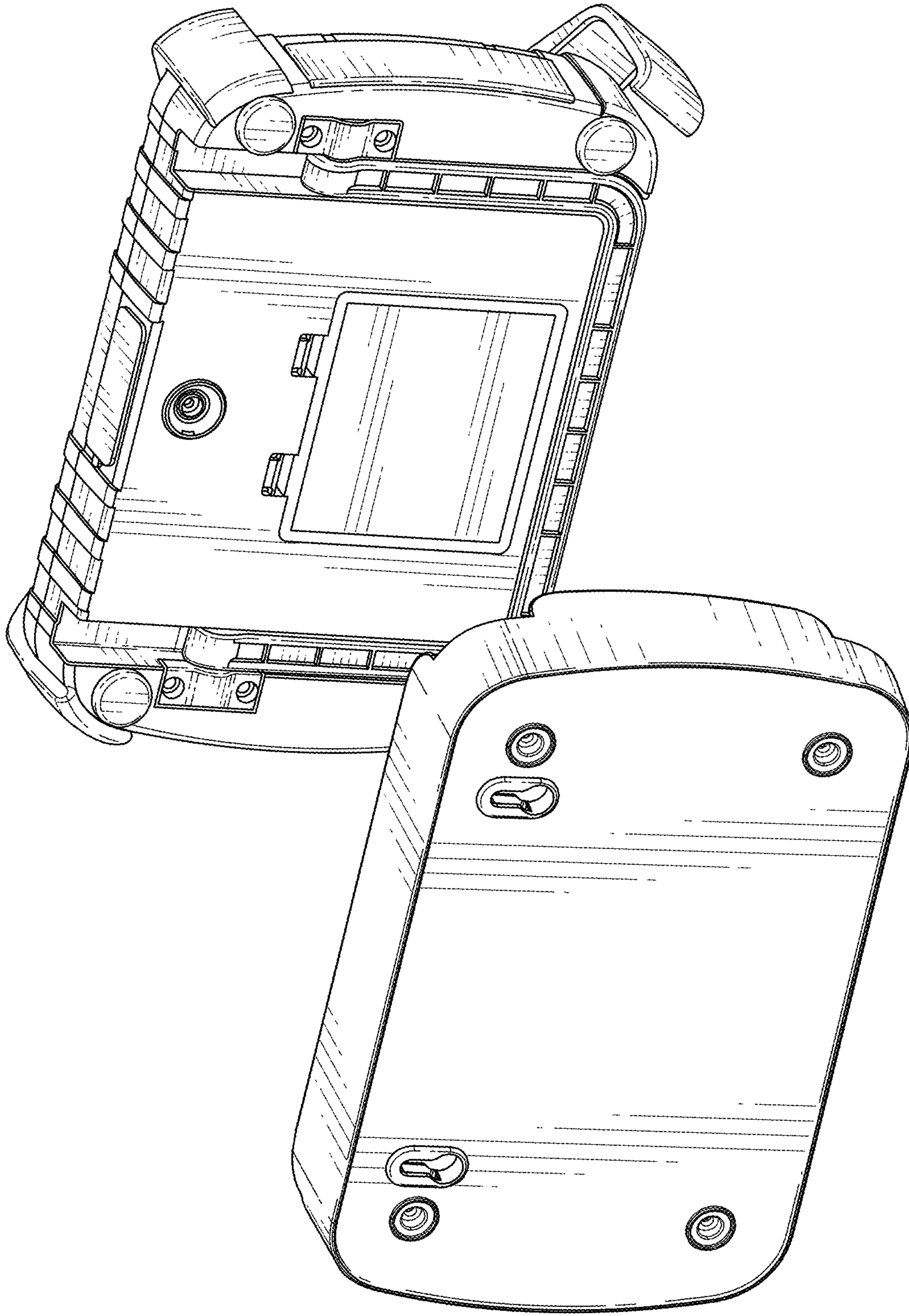


FIG. 13

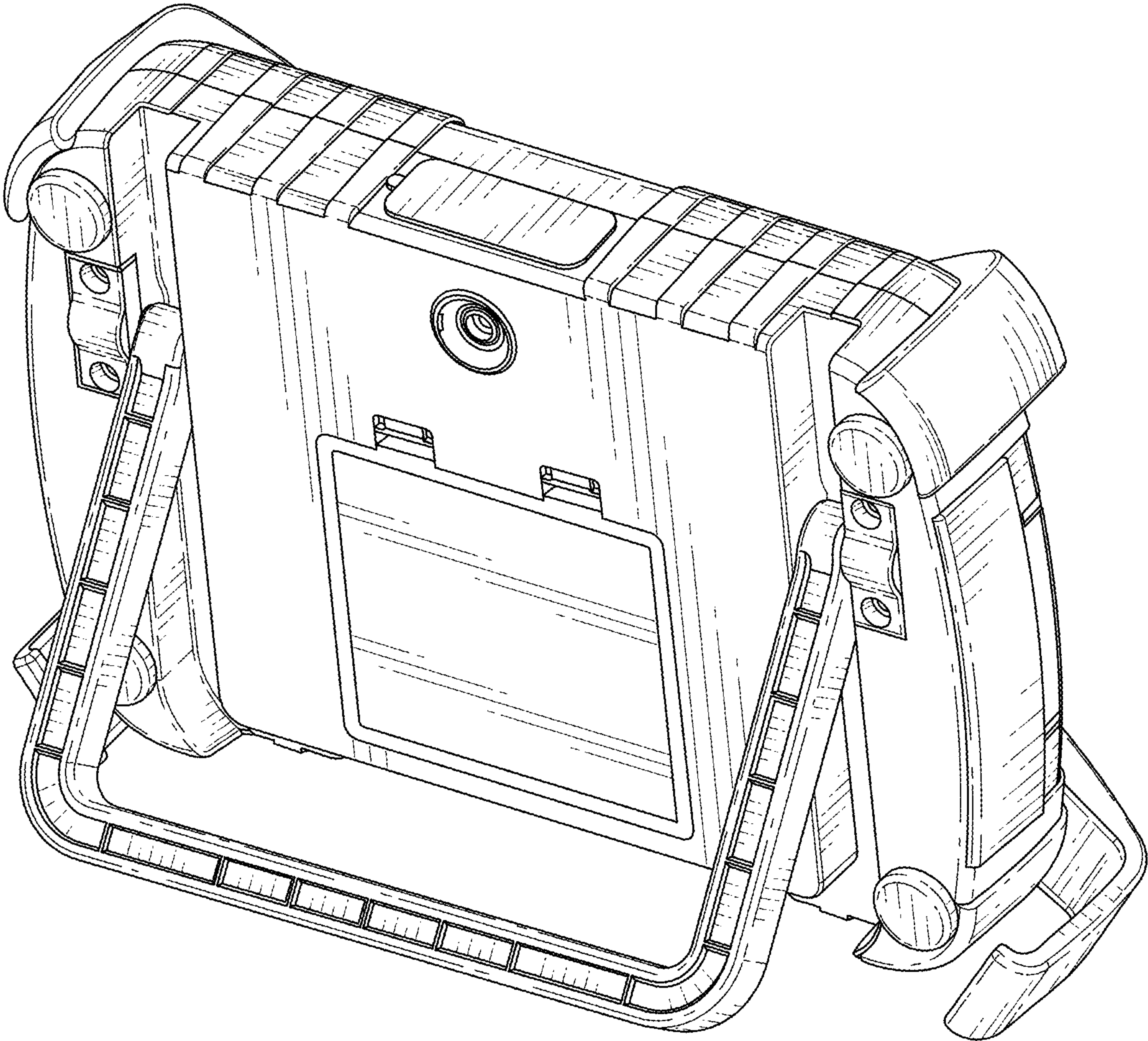


FIG. 14

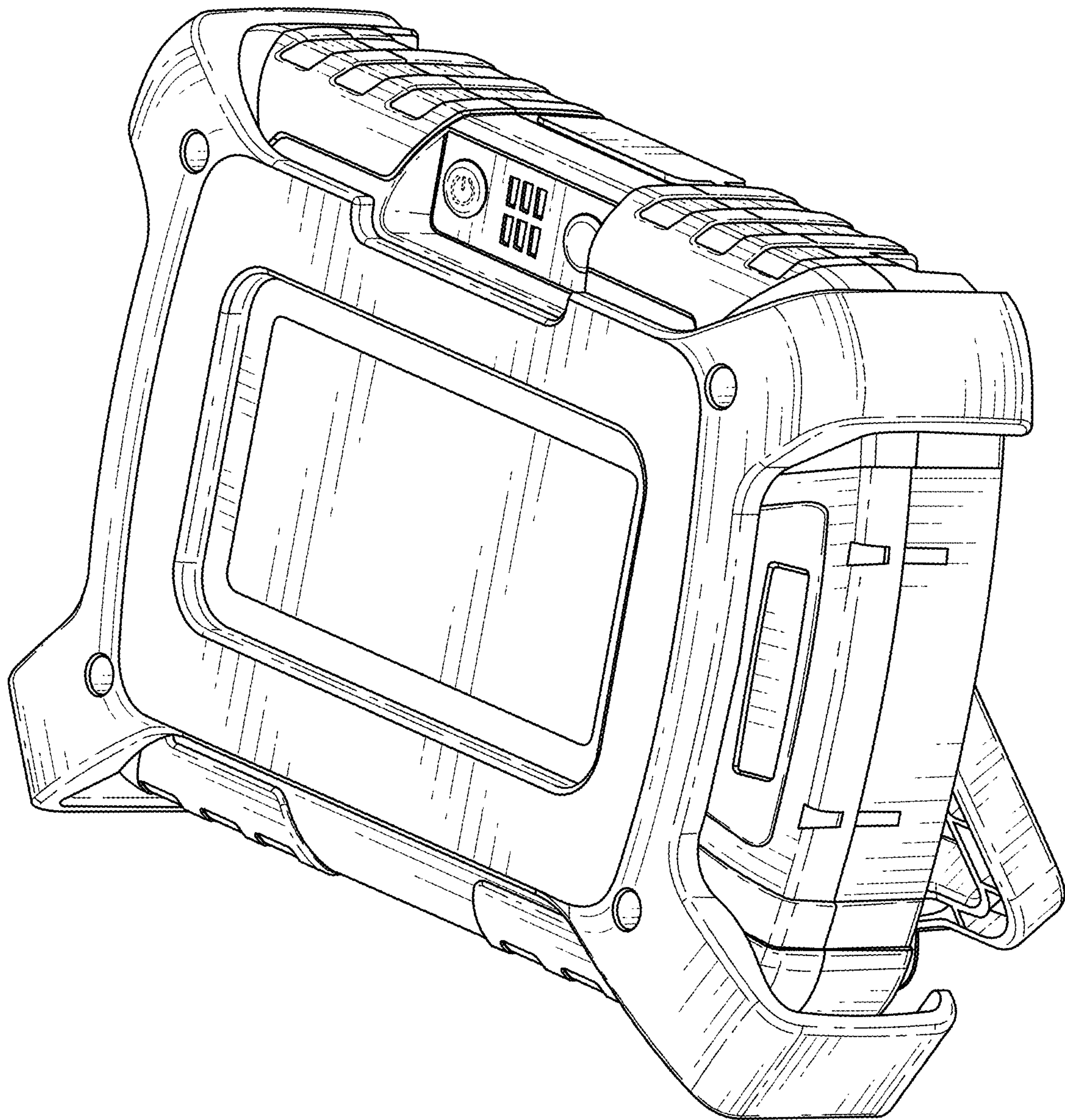


FIG. 15