



US00D893068S

(12) **United States Design Patent** (10) **Patent No.:** **US D893,068 S**
Ko (45) **Date of Patent:** **** Aug. 11, 2020**

(54) **LAMP FOR A VEHICLE**

(56) **References Cited**

(71) Applicants: **VISION X ASIA CO., LTD.**,
Hwaseong-si (KR); **In Hong Ko**, Seoul
(KR)

U.S. PATENT DOCUMENTS

D526,430 S * 8/2006 Hernandez D26/31
D576,754 S * 9/2008 Wang D26/31
D653,783 S * 2/2012 Biro D26/31
D781,474 S * 3/2017 Graham D26/31

(72) Inventor: **In Hong Ko**, Seoul (KR)

* cited by examiner

(73) Assignees: **VISION X ASIA CO., LTD.**,
Hwaseong-si (KR); **In Hong Ko**, Seoul
(KR)

Primary Examiner — Marcus A Jackson

(**) Term: **15 Years**

(74) *Attorney, Agent, or Firm* — Cantor Colburn LLP

(21) Appl. No.: **29/691,283**

(57) **CLAIM**

The ornamental design for a lamp for a vehicle, as shown and described.

(22) Filed: **May 15, 2019**

(30) **Foreign Application Priority Data**

DESCRIPTION

Nov. 19, 2018 (KR) 30-2018-0053608

(51) **LOC (12) Cl.** **26-06**

(52) **U.S. Cl.**
USPC **D26/31**

(58) **Field of Classification Search**
USPC D26/28-36, 139
CPC F21S 48/00; F21S 48/10; F21S 48/115;
F21S 48/225; F21S 48/1233; F21S
48/1266; F21S 48/1388; F21S 48/2268;
F21V 21/04; F21V 29/004; B60Q 9/13;
B60Q 9/135; B60Q 9/1375

FIG. 1 is a front-right-bottom side perspective view of a lamp for a vehicle showing my new design;
FIG. 2 is a front-right-top side perspective view thereof;
FIG. 3 is a rear-left-top side perspective view thereof;
FIG. 4 is a front elevational view thereof;
FIG. 5 is a rear elevational view thereof;
FIG. 6 is an enlarged left side elevational view thereof;
FIG. 7 is an enlarged right side elevational view thereof;
FIG. 8 is a top plan view thereof; and,
FIG. 9 is a bottom plan view thereof.

See application file for complete search history.

1 Claim, 4 Drawing Sheets

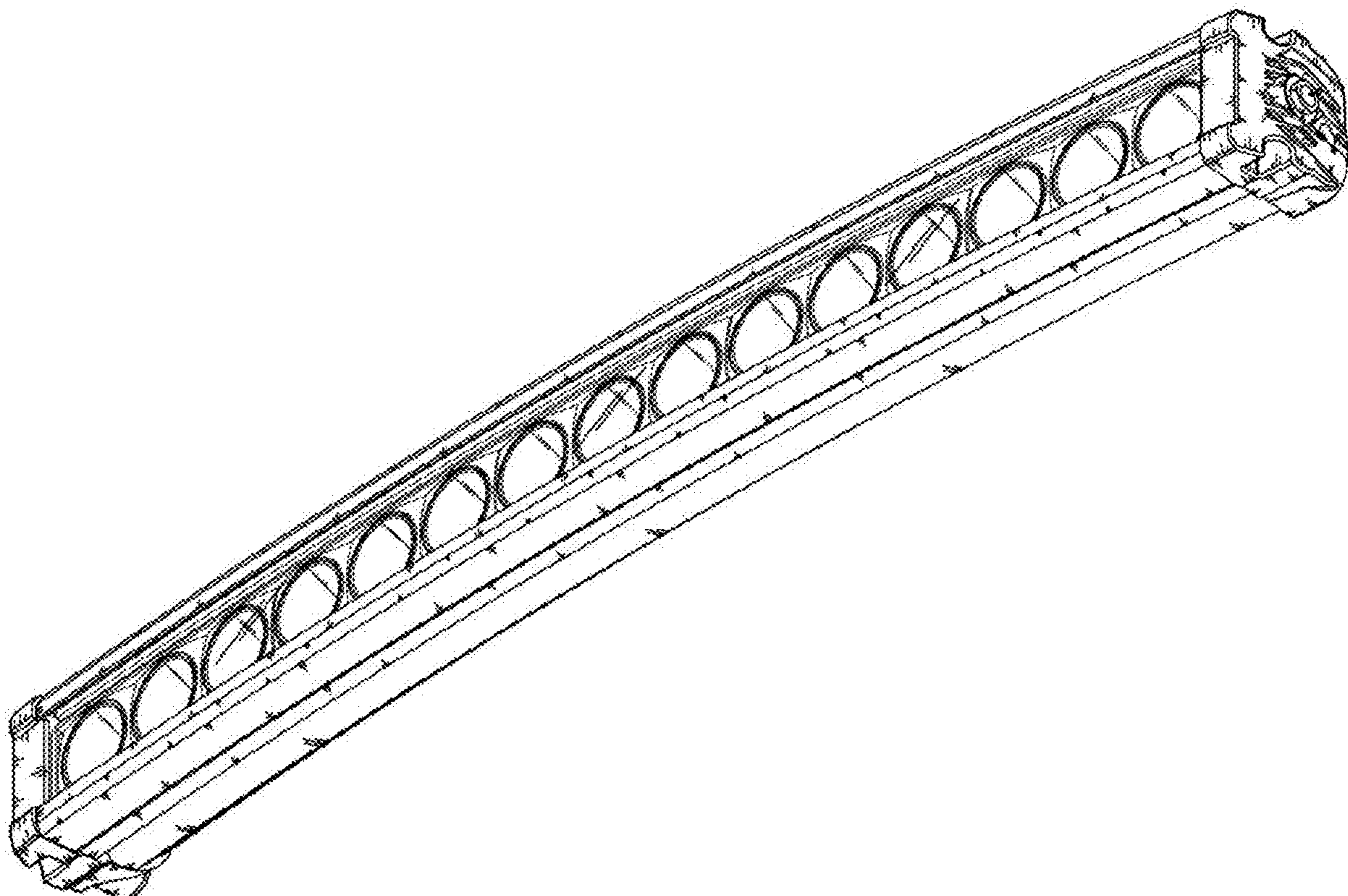


FIG. 1

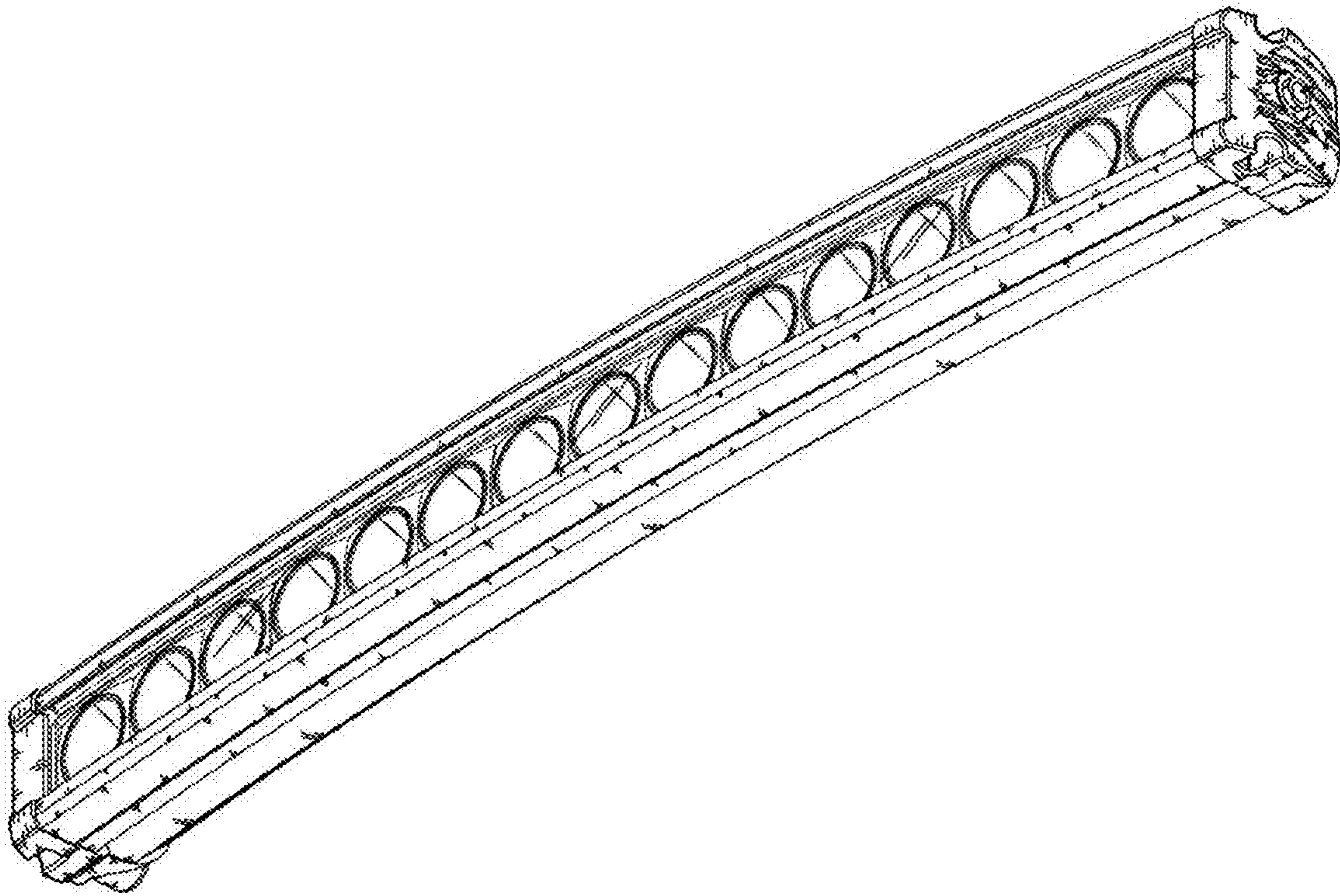


FIG. 2

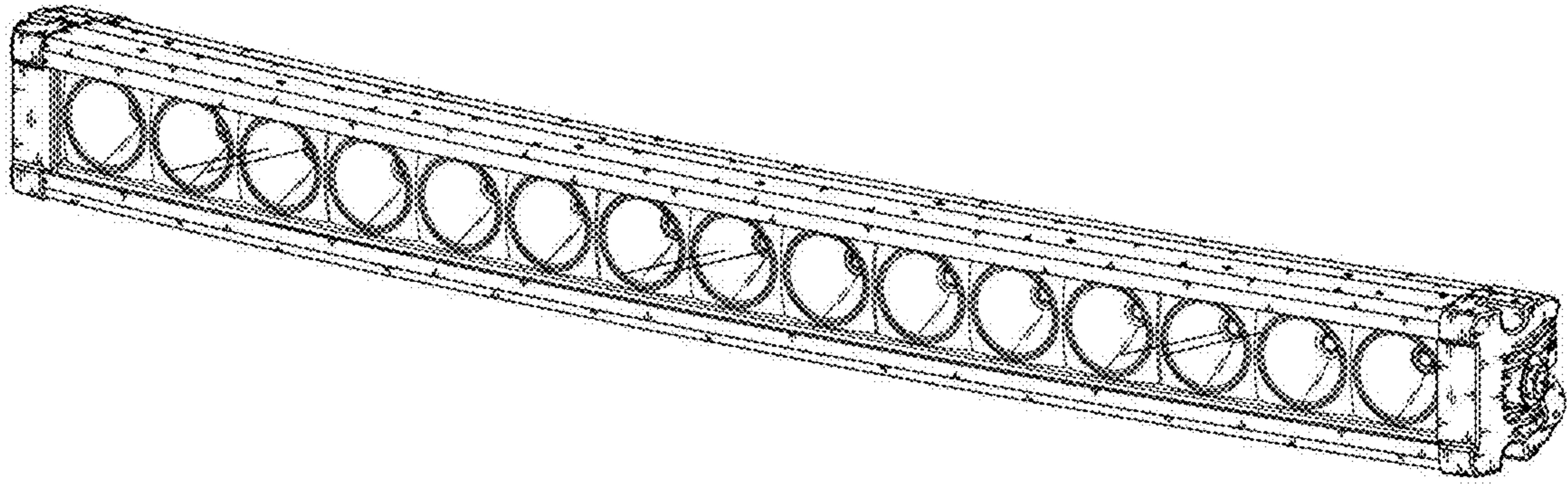


FIG. 3

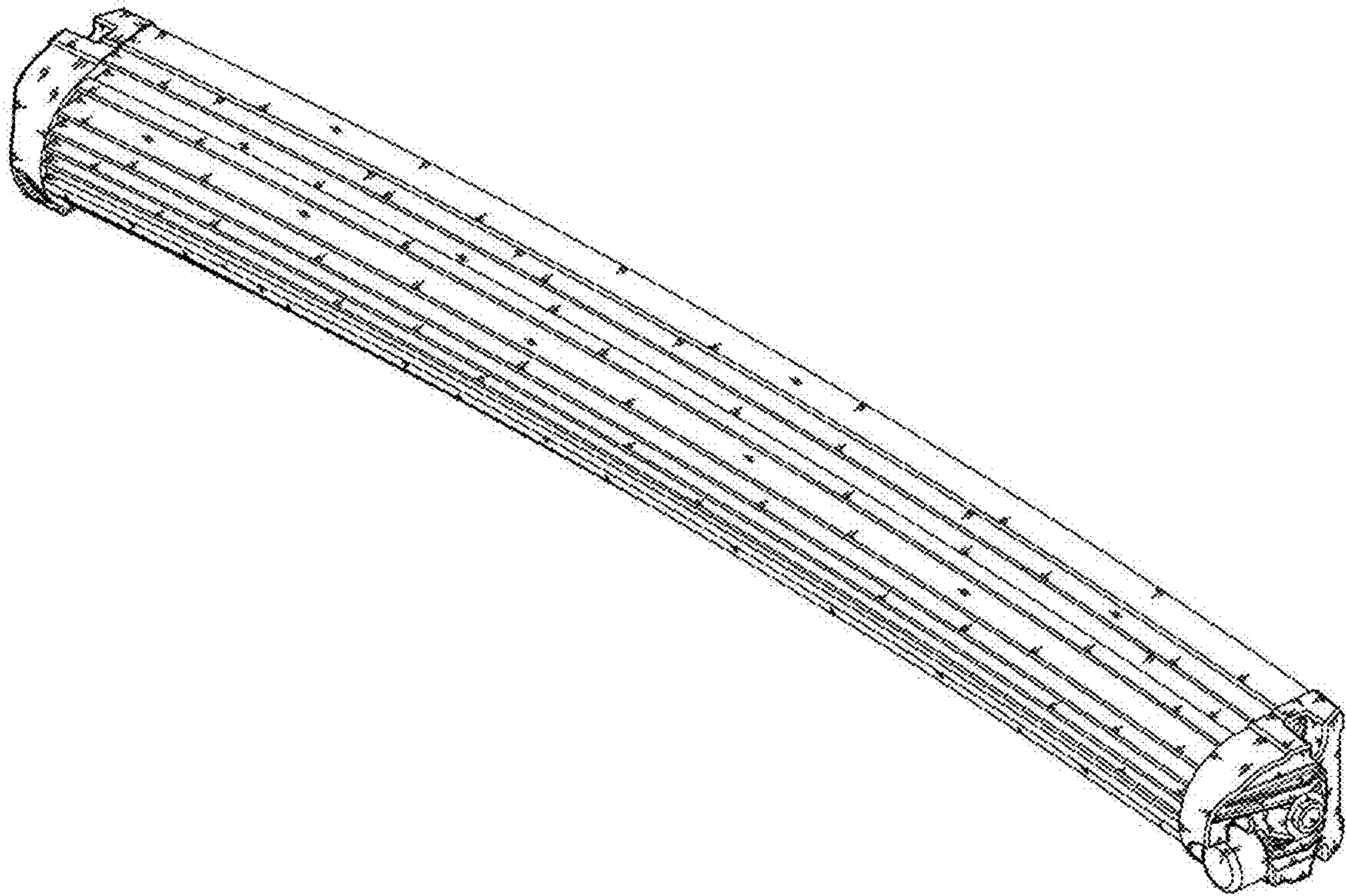


FIG. 4

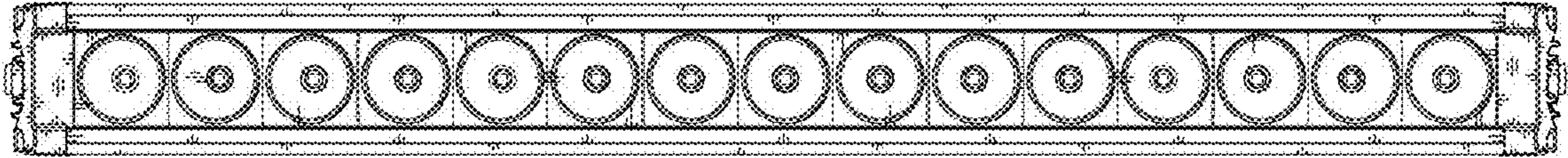


FIG. 5

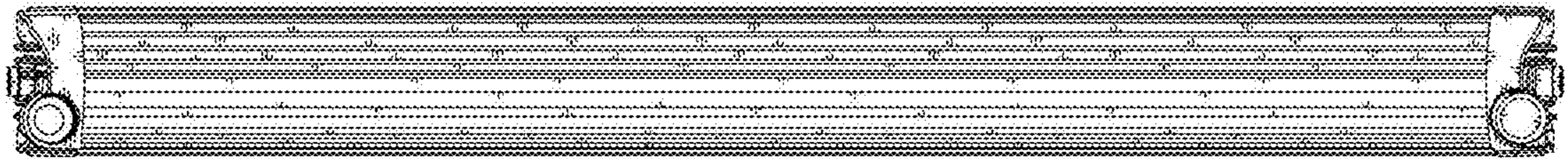


FIG. 6

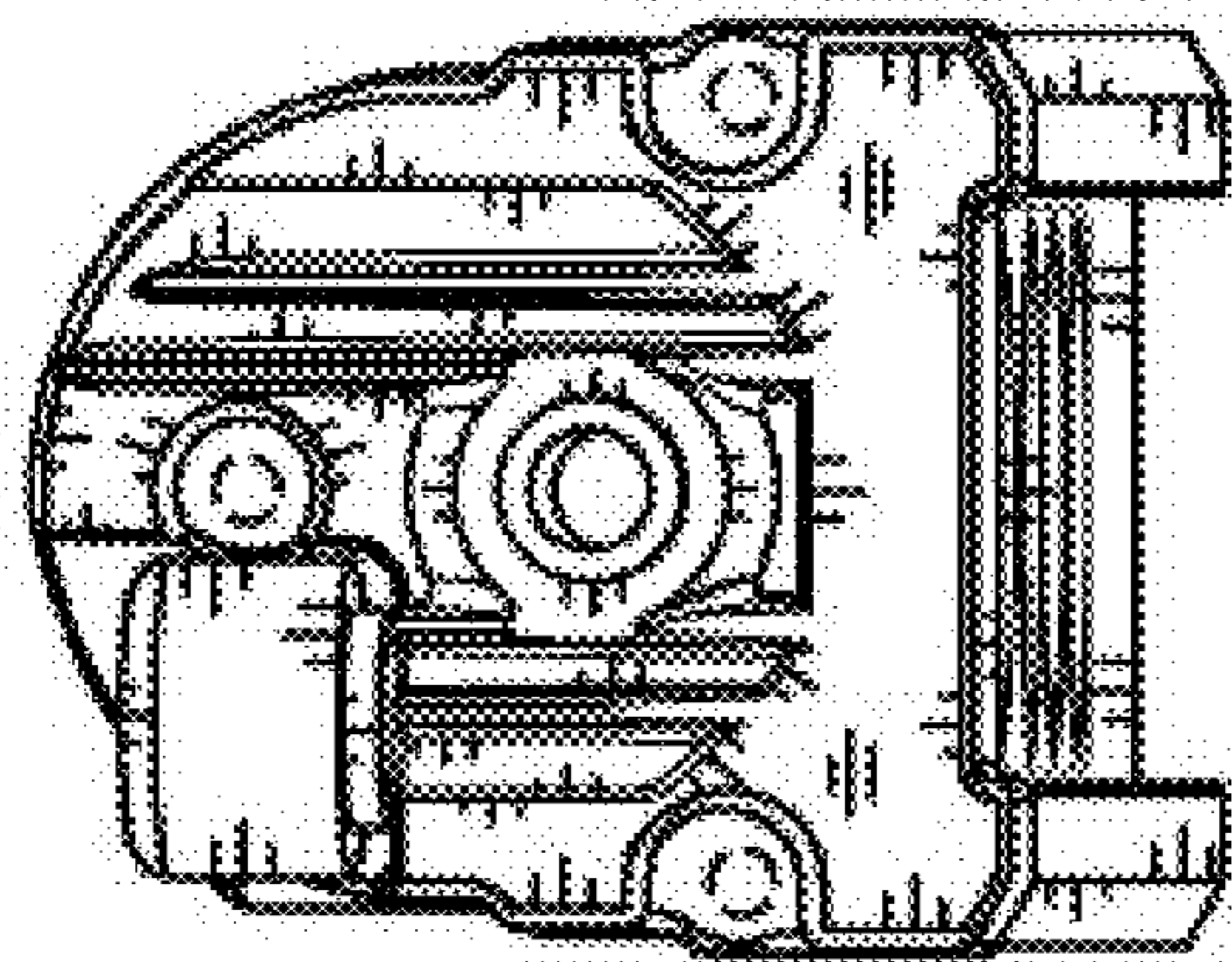


FIG. 7

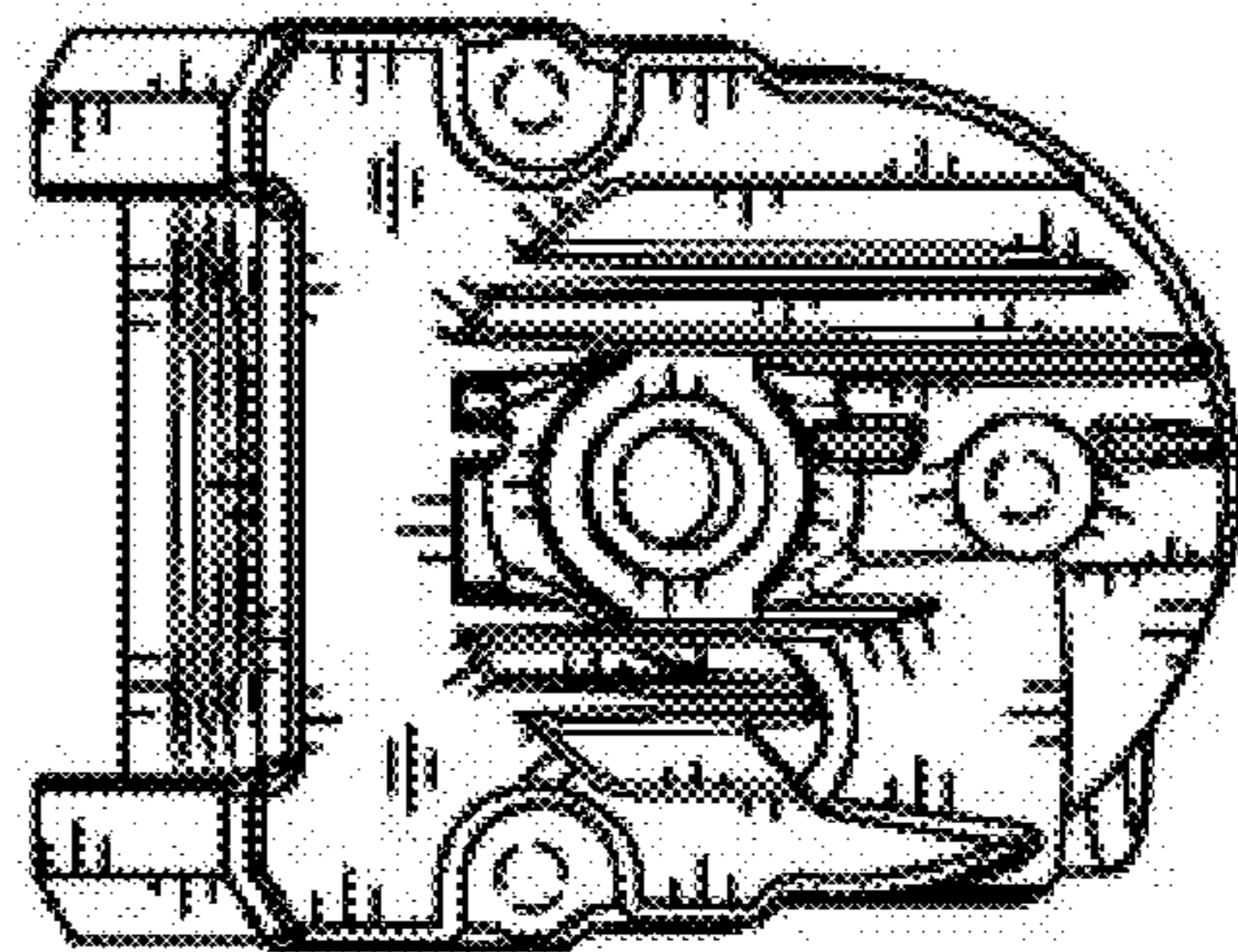


FIG. 8

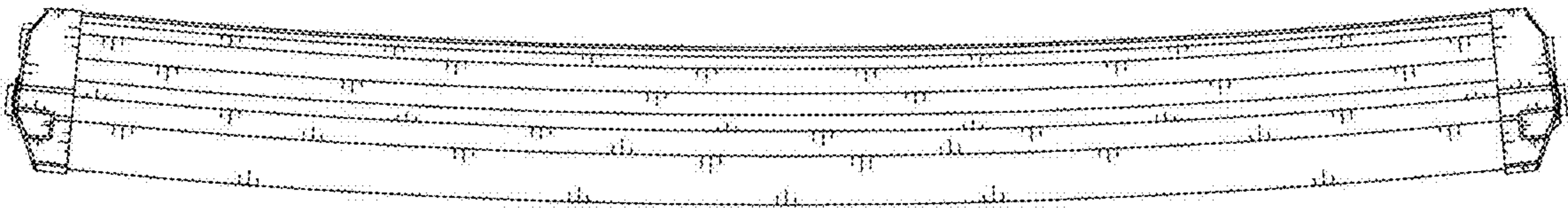


FIG. 9

