



US00D893067S

(12) **United States Design Patent** (10) **Patent No.:** **US D893,067 S**
Lin (45) **Date of Patent:** **** Aug. 11, 2020**

(54) **VEHICLE HEADLIGHT**

(56) **References Cited**

(71) Applicant: **KUEN HWA TRAFFIC INDUSTRIAL CO., LTD.**, Tainan (TW)

U.S. PATENT DOCUMENTS

D747,518 S *	1/2016	Lai	D26/28
D842,503 S *	3/2019	Yang	D26/28
D844,199 S *	3/2019	Lin	D26/28
D850,677 S *	6/2019	Lin	D26/28
D862,753 S *	10/2019	Lin	D26/28
D868,318 S *	11/2019	Lai	D26/28
D873,452 S *	1/2020	Lin	D26/28
D881,427 S *	4/2020	Ninov	D26/28

(72) Inventor: **Chung-I Lin**, Hsinchu (TW)

(73) Assignee: **Kuen Hwa Traffic Industrial Co., Ltd.**, Tainan (TW)

* cited by examiner

(**) Term: **15 Years**

Primary Examiner — Angela J Lee

(21) Appl. No.: **29/692,349**

(74) *Attorney, Agent, or Firm* — Rosenberg, Klein & Lee

(22) Filed: **May 24, 2019**

(57) **CLAIM**

(51) **LOC (12) Cl.** **26-06**

The ornamental design for a vehicle headlight, as shown and described.

(52) **U.S. Cl.**

DESCRIPTION

USPC **D26/28**

(58) **Field of Classification Search**

USPC D26/28, 29, 30, 31, 32, 33, 34, 35, 36

CPC F21S 48/00; F21S 48/10; F21S 48/115;

F21S 48/225; F21S 48/1233; F21S

48/1266; F21S 48/1388; F21S 48/2268;

F21V 21/04; F21W 2103/35; F21W 3/40;

F21W 2102/17; F21W 2102/30; F21W

2103/00; F21W 2103/55; F21W 2104/00;

F21W 2107/17; F21W 2107/13

See application file for complete search history.

FIG. 1 is a perspective view of a vehicle headlight showing my present design;

FIG. 2 is a front view thereof;

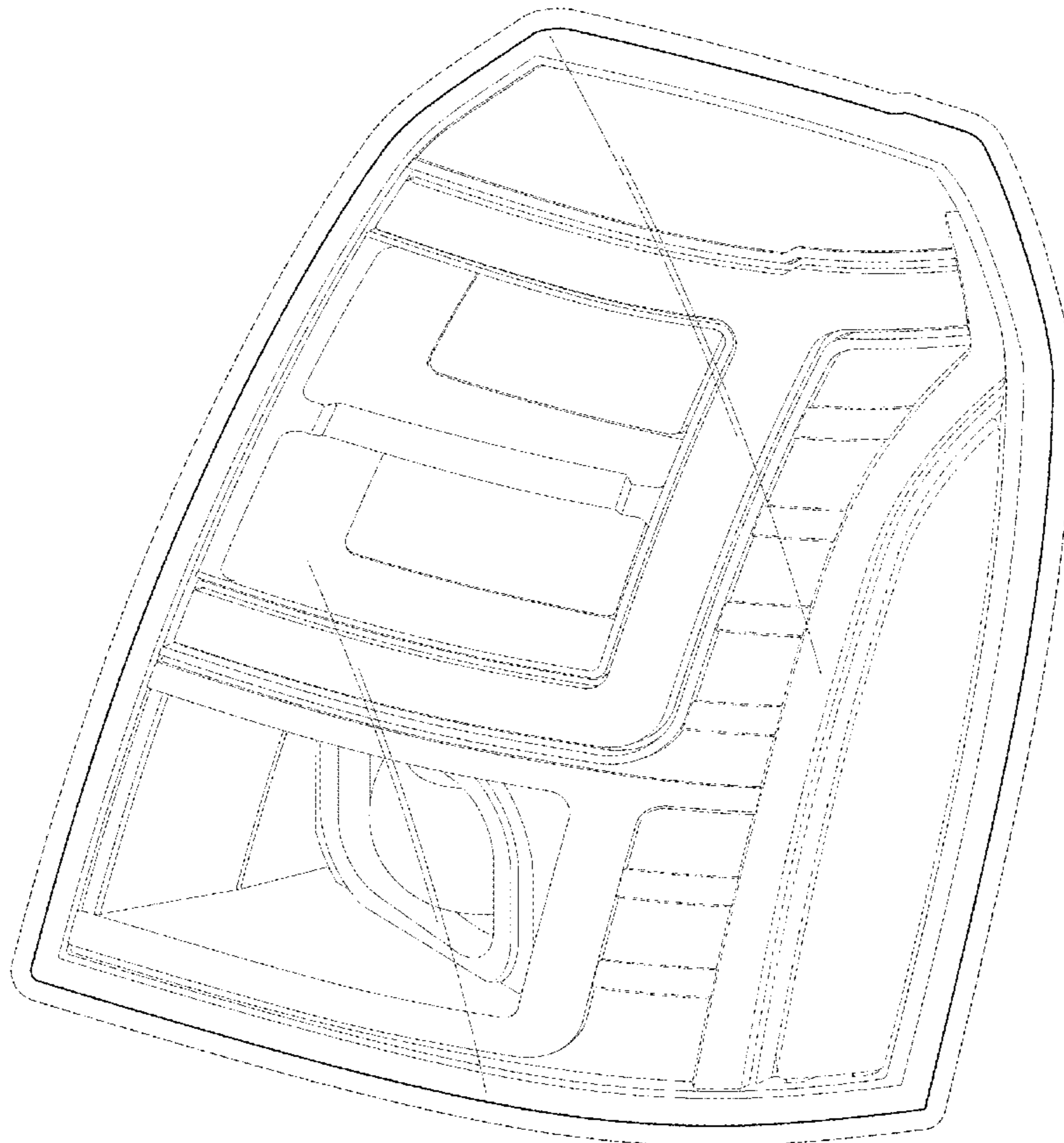
FIG. 3 is a right view thereof;

FIG. 4 is a top plan view thereof; and,

FIG. 5 is another perspective view thereof.

The broken lines in the drawings illustrate portions of the vehicle headlight which form no part of the claimed design.

1 Claim, 5 Drawing Sheets



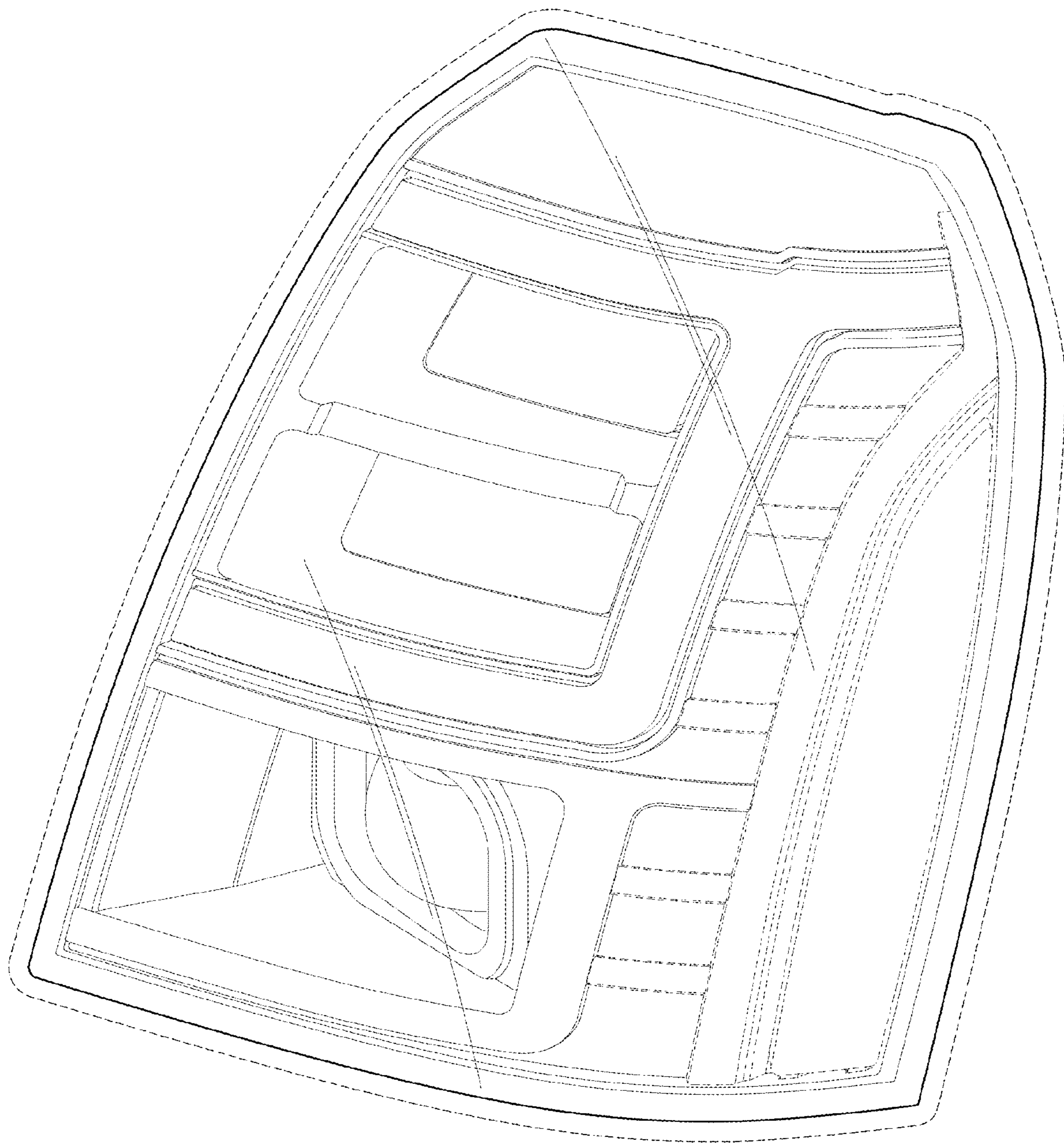


FIG. 1

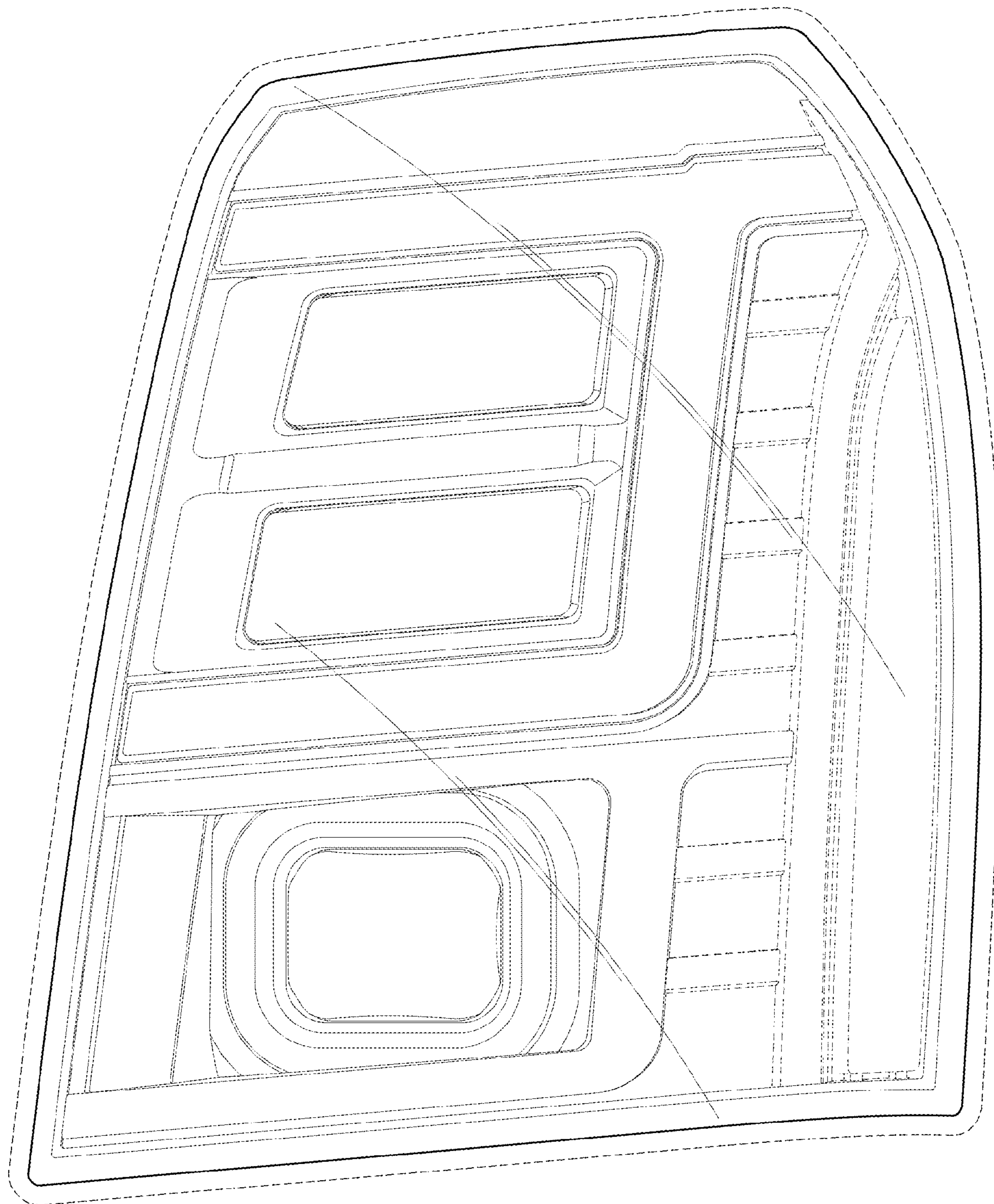


FIG. 2

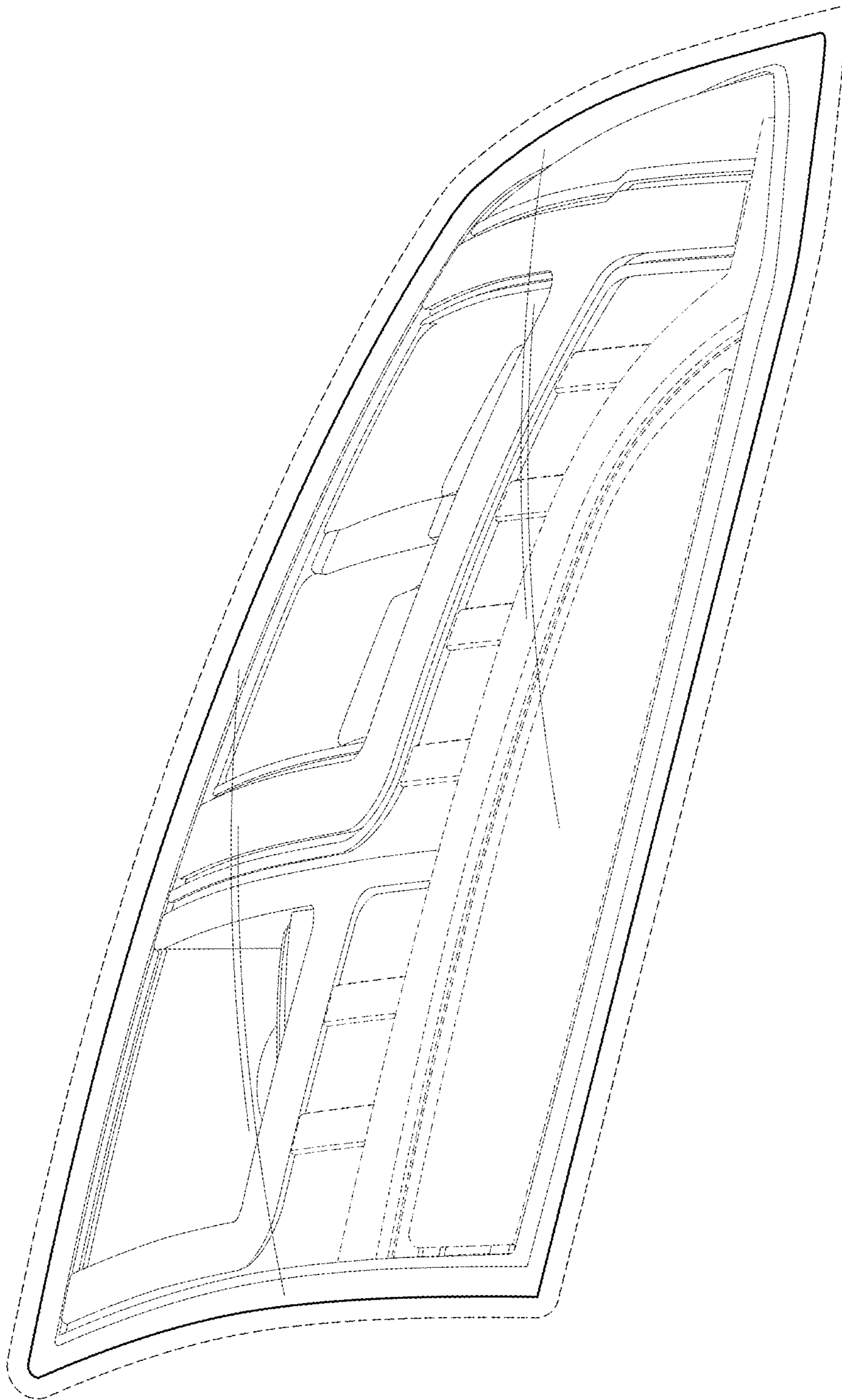


FIG. 3

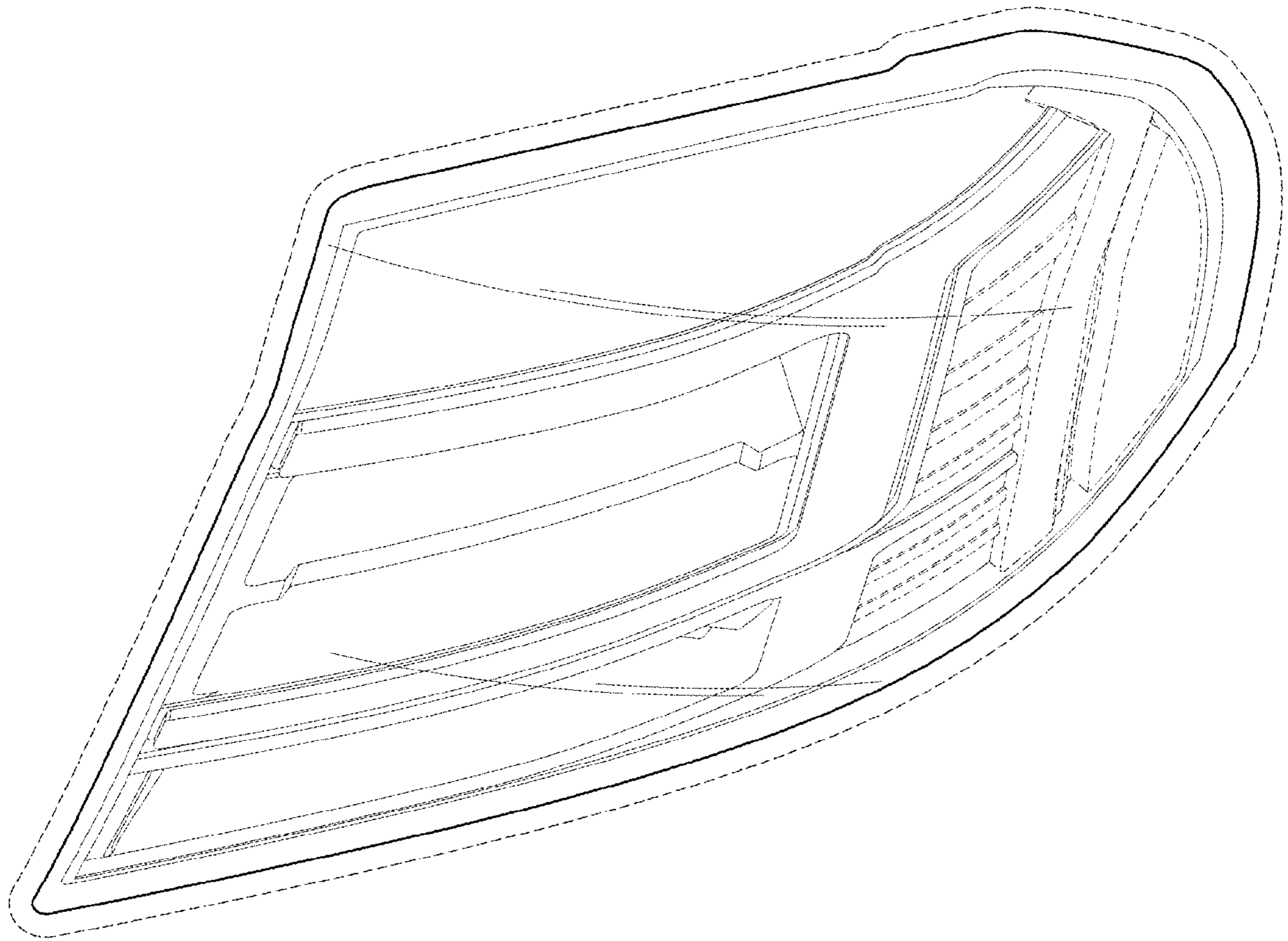


FIG. 4

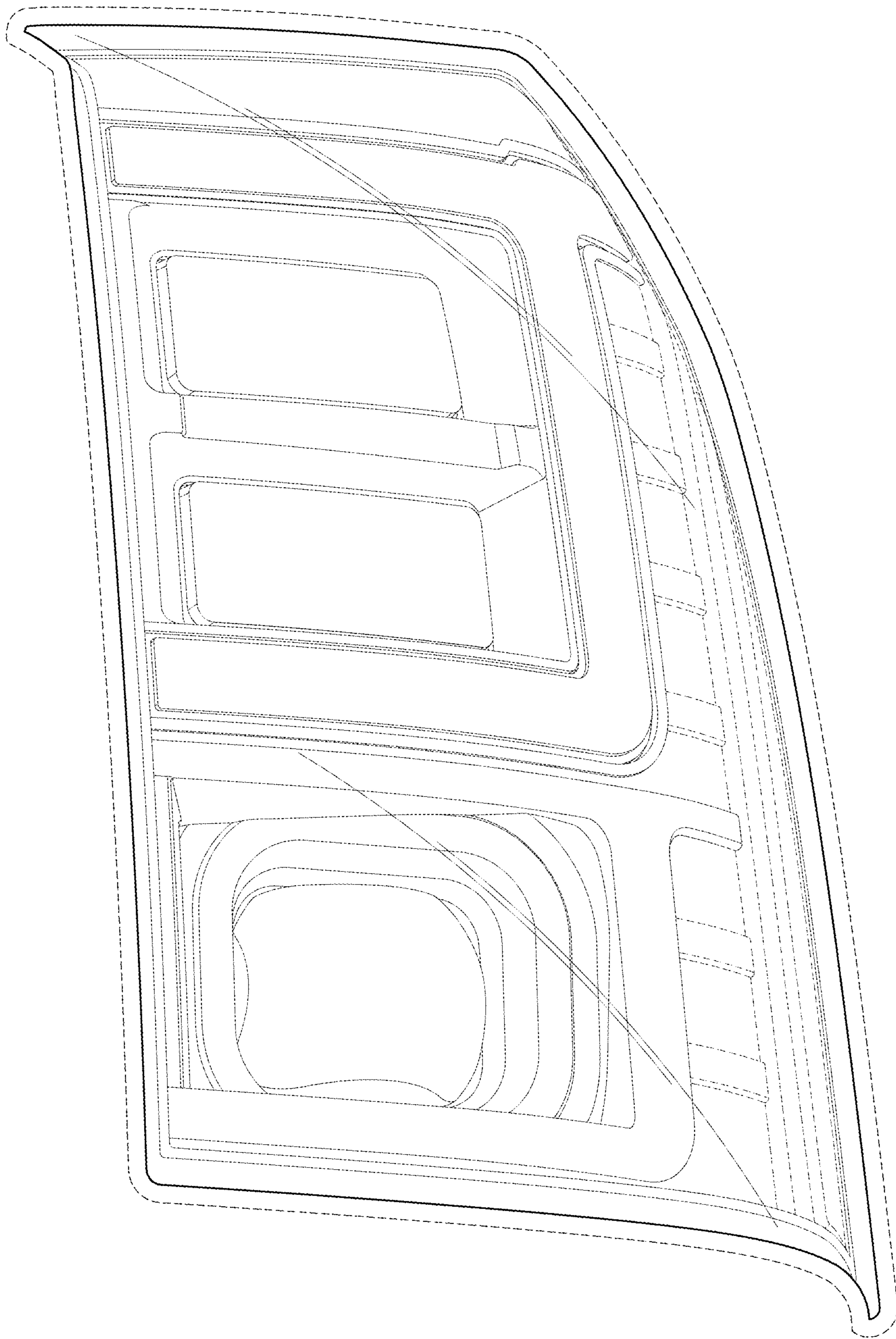


FIG. 5