

US00D893064S

(12) **United States Design Patent**
He

(10) **Patent No.:** **US D893,064 S**

(45) **Date of Patent:** **** Aug. 11, 2020**

(54) **EXTERIOR SURFACE CONFIGURATION OF A HEADLIGHT FOR A VEHICLE**

(71) Applicant: **Arex Industries, Inc.**, Irwindale, CA (US)

(72) Inventor: **Mizeng He**, TaiZhou (CN)

(**) Term: **15 Years**

(21) Appl. No.: **29/689,720**

(22) Filed: **May 1, 2019**

(51) **LOC (12) Cl.** **26-06**

(52) **U.S. Cl.**
USPC **D26/28**

(58) **Field of Classification Search**
USPC D26/28-36, 139
CPC F21S 48/00; F21S 48/10; F21S 48/115;
F21S 48/225; F21S 48/1233; F21S 48/1266; F21S 48/1388; F21S 48/2268;
F21V 21/04; F21V 29/004; B60Q 9/13;
B60Q 9/135; B60Q 9/1375
See application file for complete search history.

(56) **References Cited**

U.S. PATENT DOCUMENTS

D528,231 S * 9/2006 Ikeda D26/28
D528,686 S * 9/2006 Kato D26/28

D529,208 S * 9/2006 Ikeda D26/28
D535,409 S * 1/2007 Yamaguchi D26/28
D675,352 S * 1/2013 Akejima D26/28
D677,813 S * 3/2013 Hanaoka D26/28

* cited by examiner

Primary Examiner — Marcus A Jackson

(74) *Attorney, Agent, or Firm* — Theodore S. Lee, Esq.

(57) **CLAIM**

The ornamental design for an exterior surface configuration of a headlight for a vehicle, as shown and described.

DESCRIPTION

FIG. 1 is a perspective view of an exterior surface configuration of a headlight for a vehicle according to the novel design;

FIG. 2 is left side view thereof;

FIG. 3 is a front view thereof;

FIG. 4 is a right side view thereof;

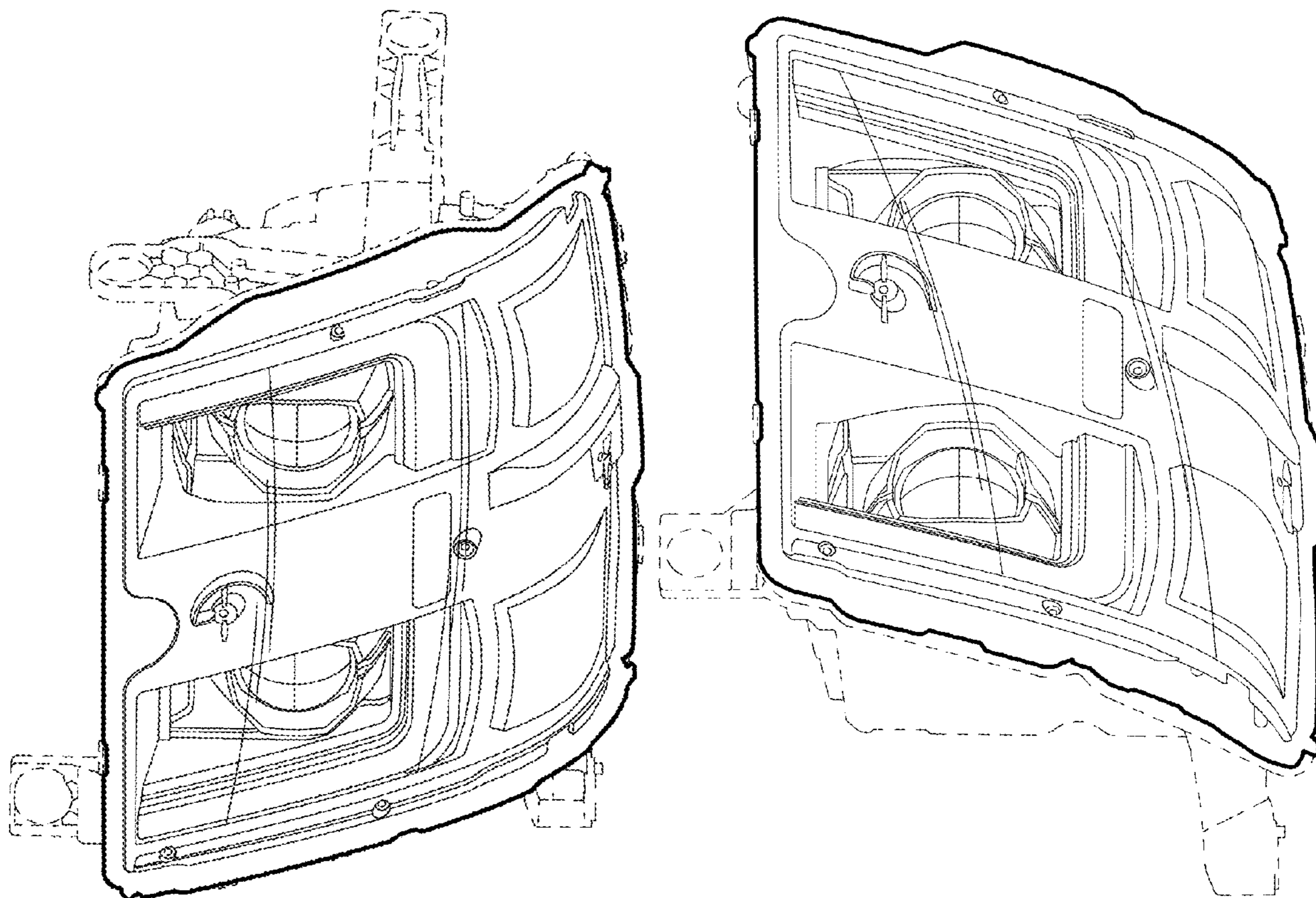
FIG. 5 is a back side view thereof;

FIG. 6 is an alternative perspective view thereof; and,

FIG. 7 is a top view thereof.

The broken lines are for environmental purposes only and form no part of the claimed design. The design shown is not to be limited to any particular size and may be scaled larger or smaller. The drawings and descriptions represent the right side embodiment. The claim is also for a mirror image of a left side embodiment that is not shown.

1 Claim, 7 Drawing Sheets



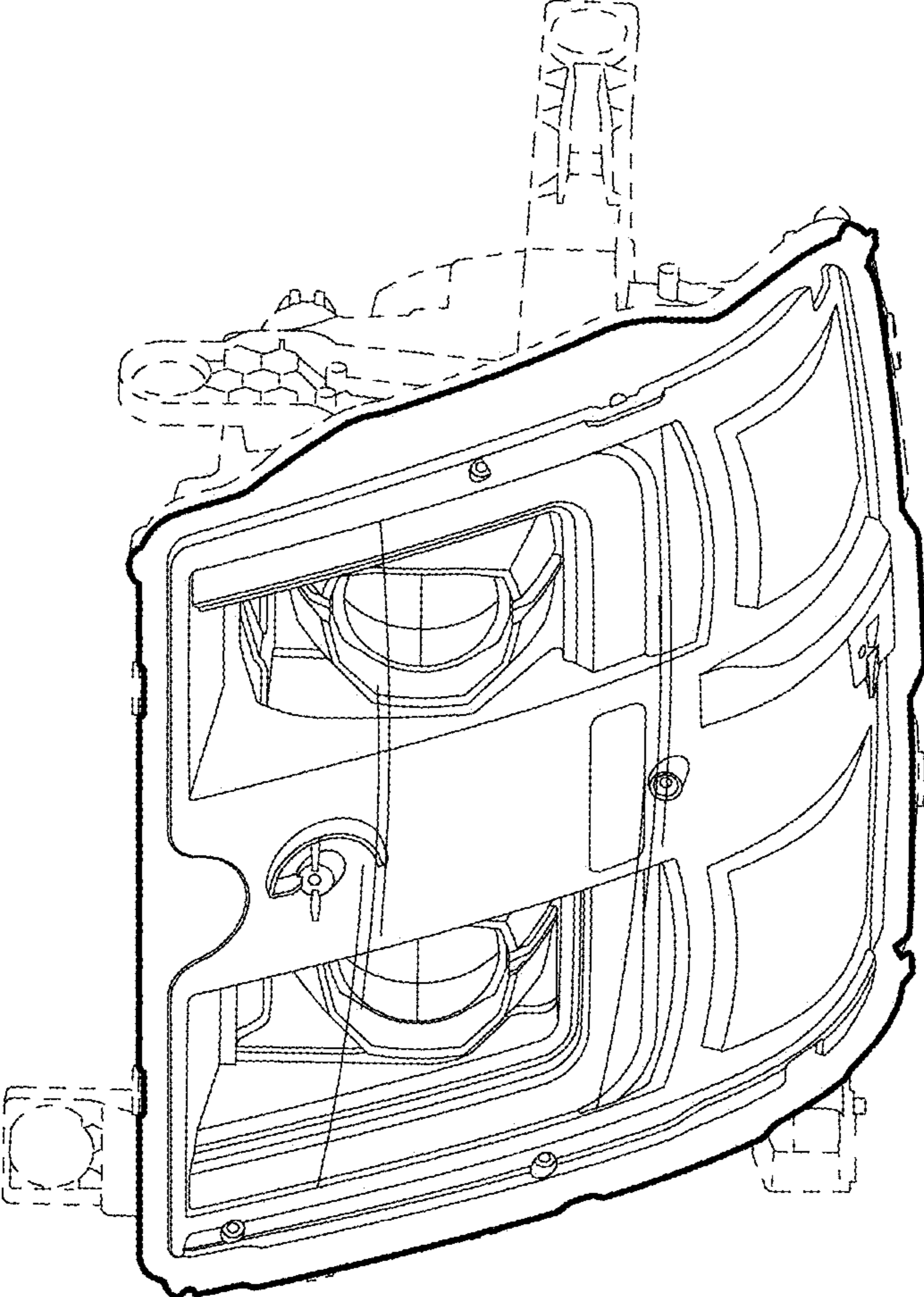


FIG. 1

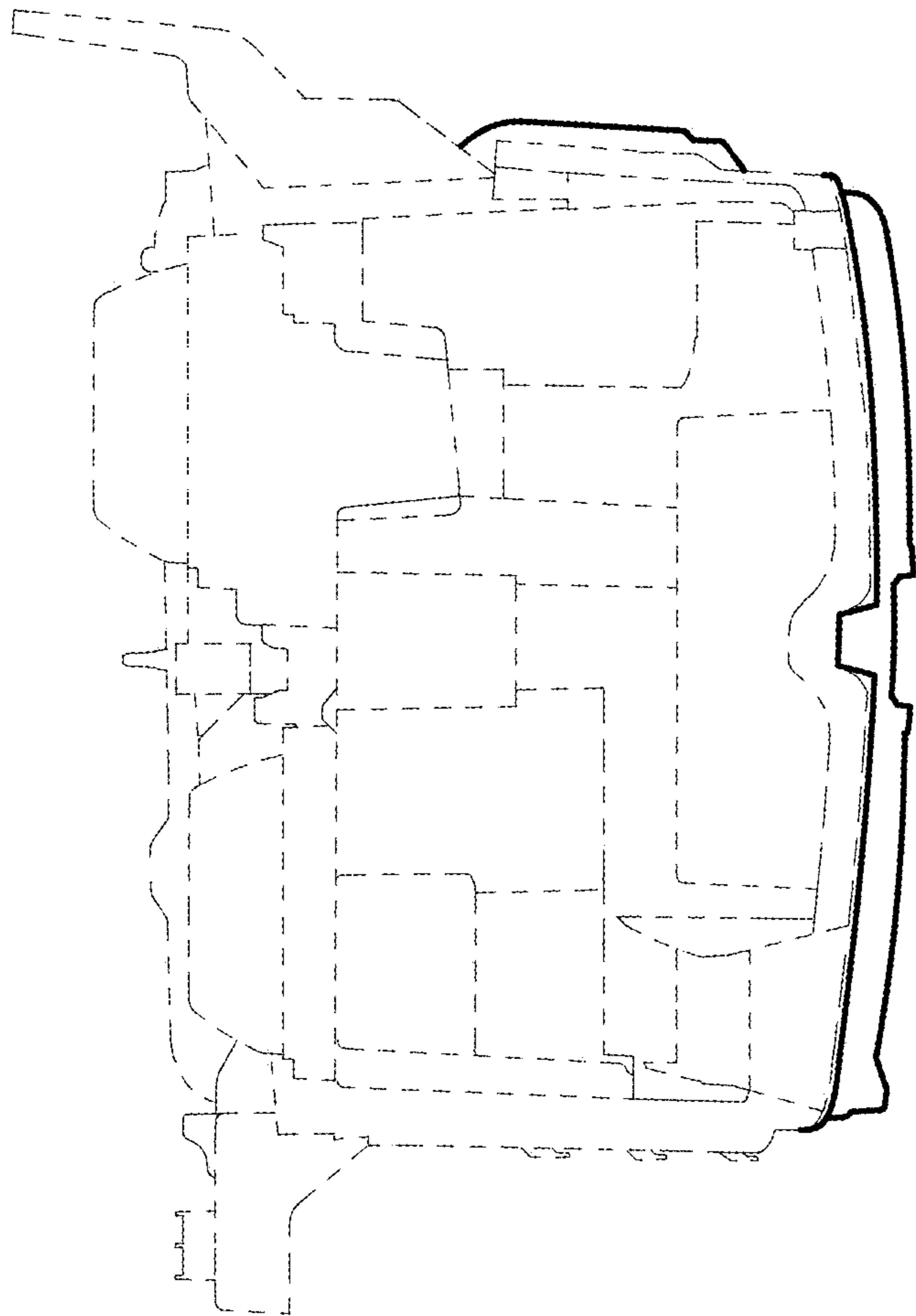


FIG. 2

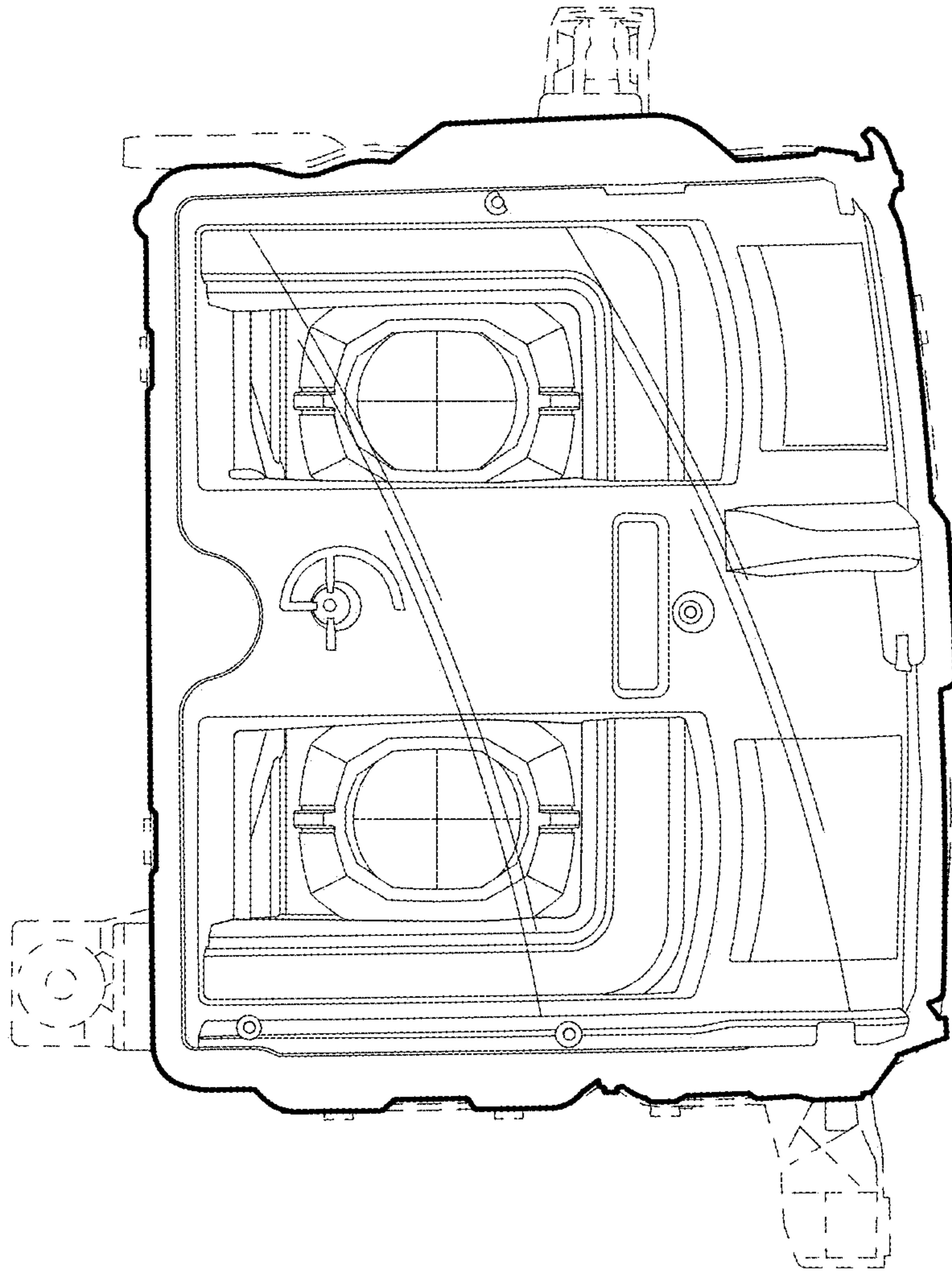


FIG. 3

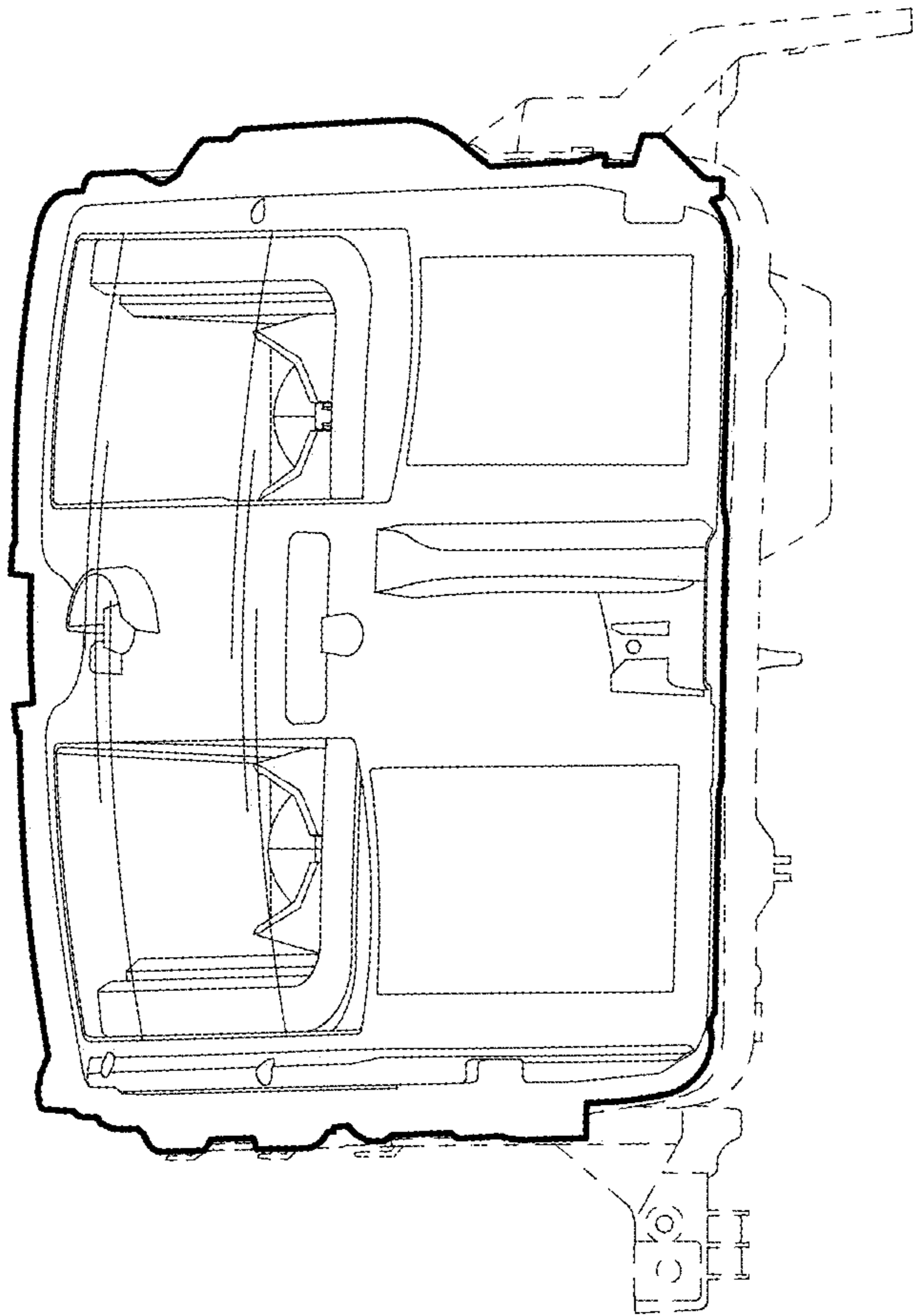


FIG. 4

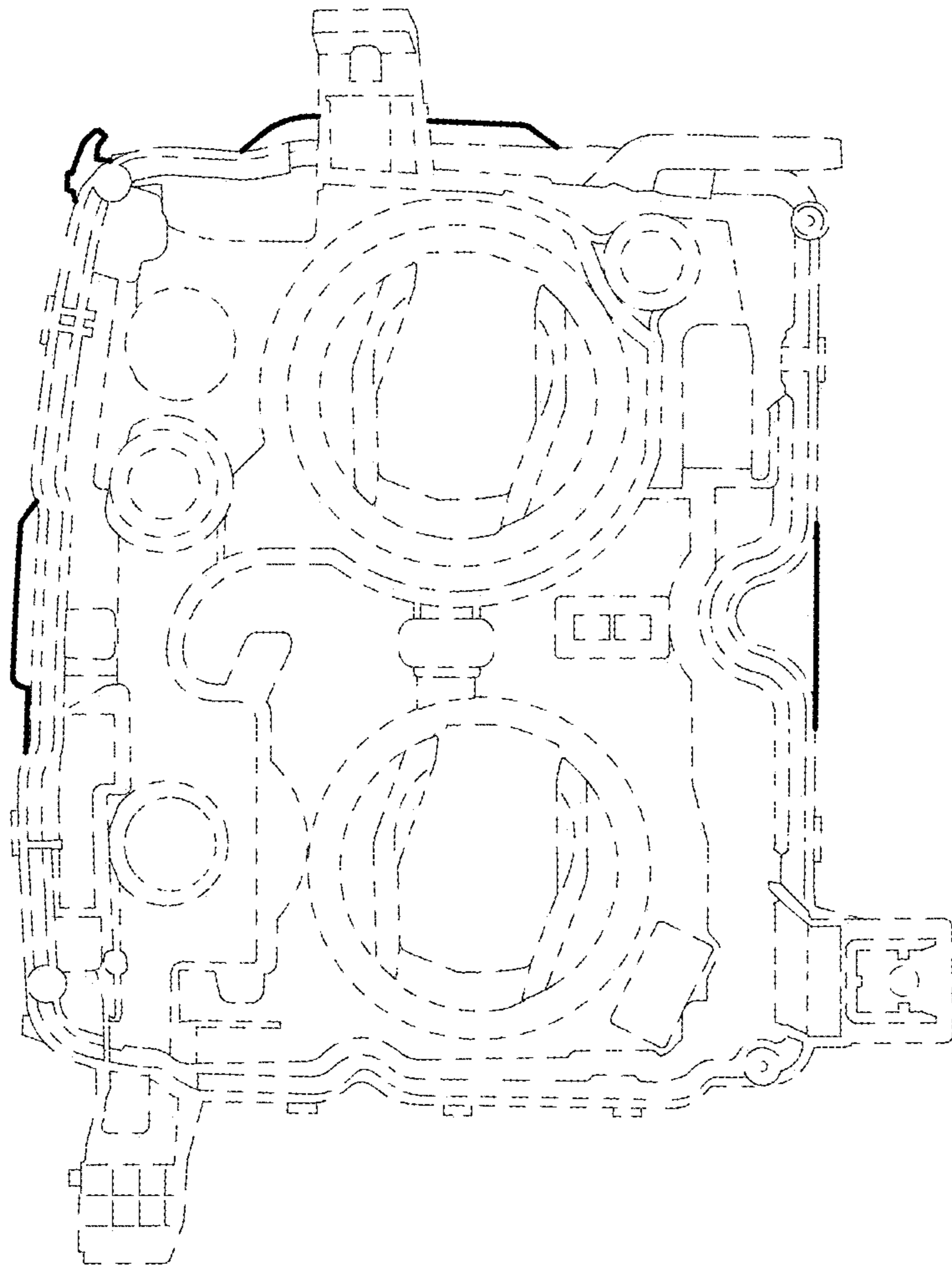


FIG. 5

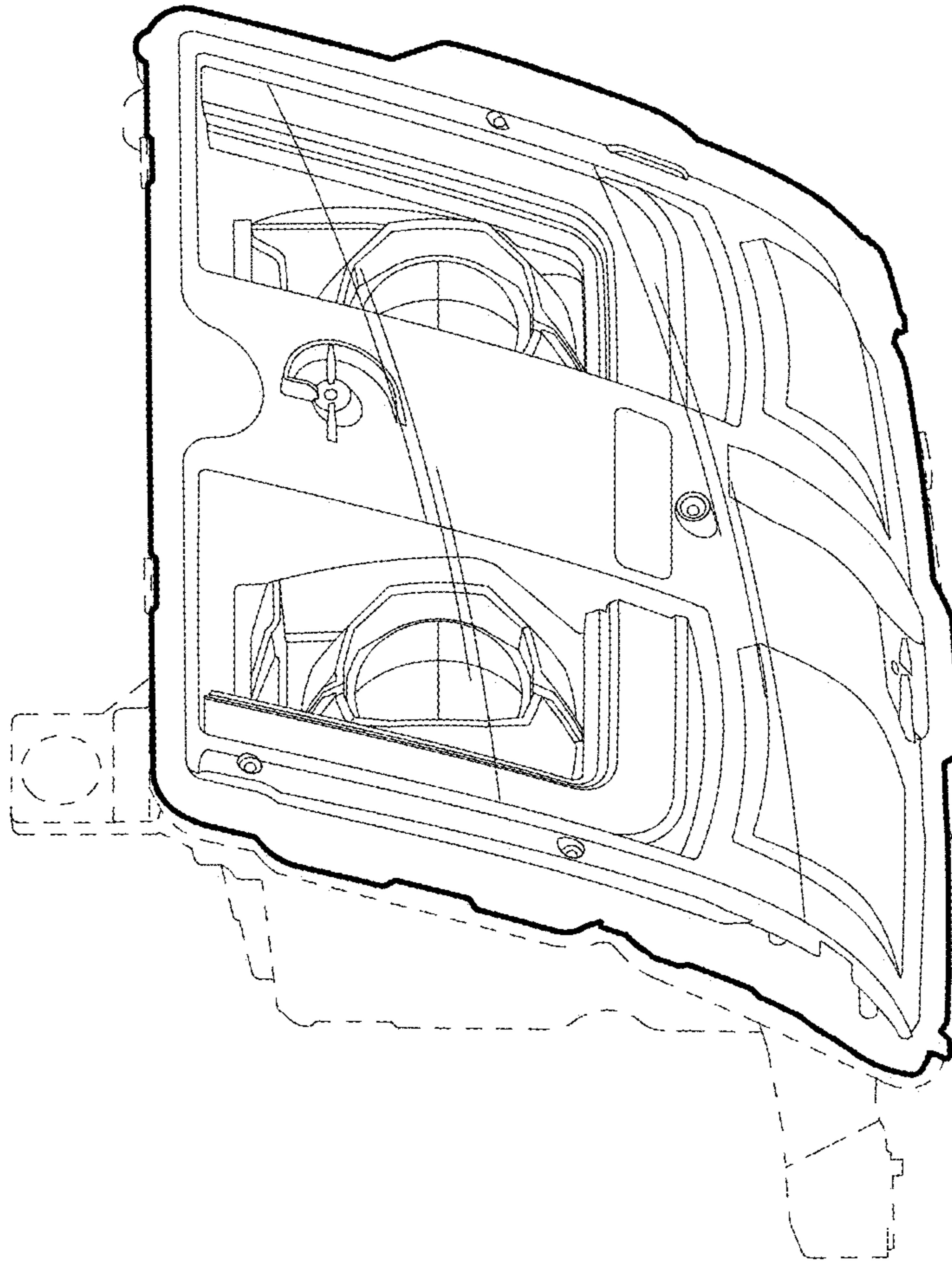


FIG. 6

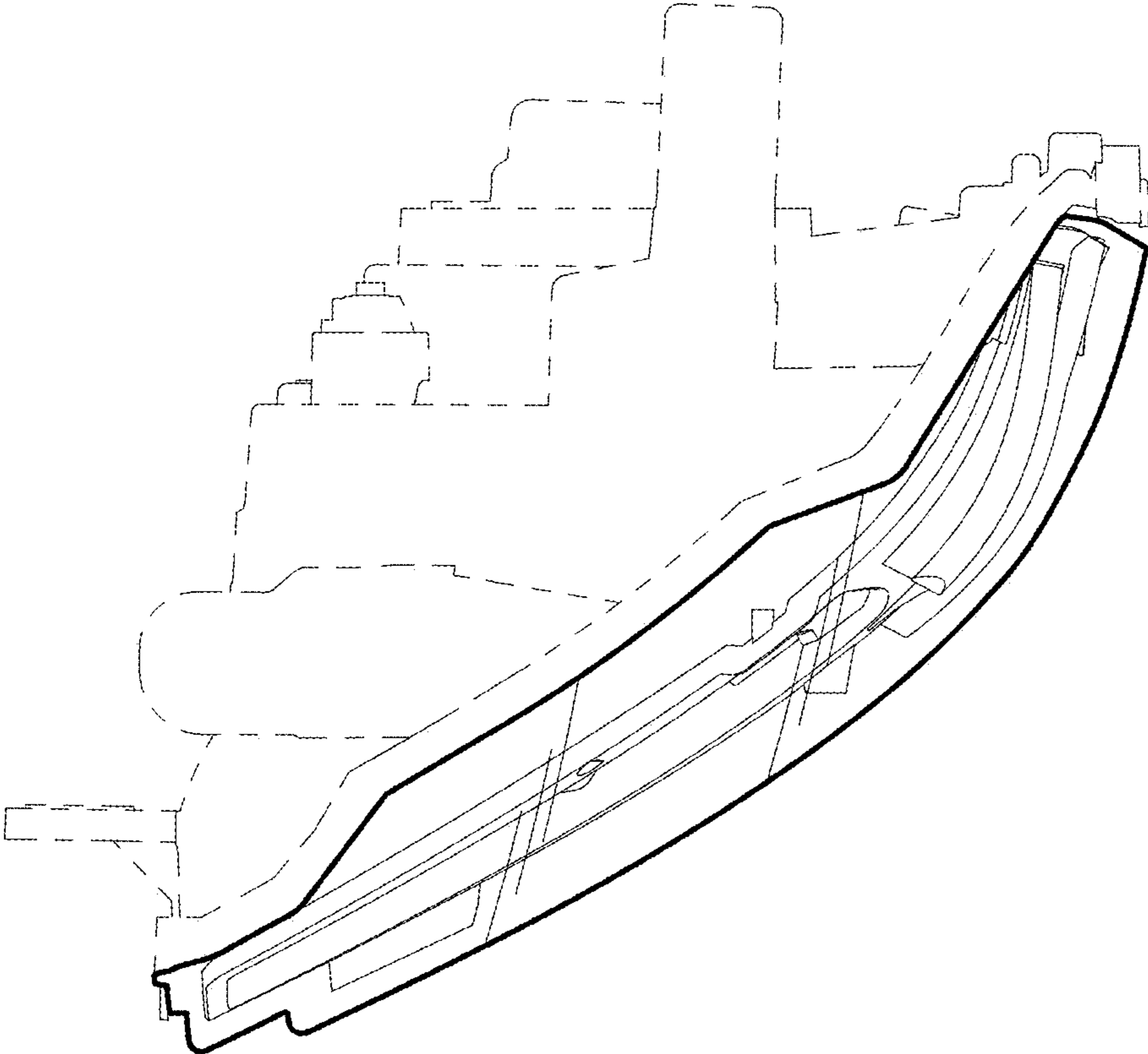


FIG. 7