

US00D893062S

(12) **United States Design Patent** (10) **Patent No.:** **US D893,062 S**  
**Hoffner et al.** (45) **Date of Patent:** **\*\* Aug. 11, 2020**

(54) **LIGHT ELEMENT**  
(71) Applicant: **Byton Limited**, Hong Kong (HK)  
(72) Inventors: **Clement Hoffner**, Munich (DE);  
**Benoit Jacob**, Munich (DE)  
(73) Assignee: **Byton Limited**, Hong Kong (HK)  
(\*\*) Term: **15 Years**

D601,730 S 10/2009 Richards  
D713,075 S 9/2014 Lee  
D722,187 S 2/2015 Gerardo  
D733,945 S 7/2015 Kennemer  
D747,511 S 1/2016 Van Arnam  
D807,542 S \* 1/2018 Packard ..... D26/28  
D838,881 S \* 1/2019 Kuriki ..... D26/28  
D850,985 S \* 6/2019 Tsuji ..... D12/114  
D856,551 S \* 8/2019 Lucas ..... D26/28

(21) Appl. No.: **29/639,456**  
(22) Filed: **Mar. 6, 2018**

**FOREIGN PATENT DOCUMENTS**

CH 143849-0005 \* 3/2018  
CN 3253883 \* 9/2002  
EM 000044086 \* 11/2003

(Continued)

(30) **Foreign Application Priority Data**

Sep. 6, 2017 (EM) ..... 004244820-0009

(51) **LOC (12) Cl.** ..... **26-06**

(52) **U.S. Cl.**  
USPC ..... **D26/28**

(58) **Field of Classification Search**  
USPC ..... D26/24, 28, 29-36, 93, 106-108, 110,  
D26/112  
CPC .. F21S 48/00; F21S 48/10; F21S 48/15; F21S  
48/1233; F21S 48/225; F21S 48/1266;  
F21S 48/1388; F21S 48/2268; F21V  
21/04

See application file for complete search history.

(56) **References Cited**

**U.S. PATENT DOCUMENTS**

5,014,165 A \* 5/1991 Naganawa ..... F21S 48/1233  
362/309  
D404,160 S \* 1/1999 Herst ..... D26/76  
D404,161 S \* 1/1999 Herst ..... D26/76  
D405,907 S \* 2/1999 Herst ..... D26/76  
D405,908 S \* 2/1999 Herst ..... D26/76  
D476,100 S 6/2003 Lin  
D593,234 S \* 5/2009 Matsumura ..... D26/30  
D600,376 S 9/2009 Sugiura

**OTHER PUBLICATIONS**

Clement Hoffner Instagram Image [http://www.instagram.com/post/clement\\_hoffner/1767630041930681067\\_2142756832](http://www.instagram.com/post/clement_hoffner/1767630041930681067_2142756832) Apr. 28, 2018 (Year: 2018).\*

(Continued)

*Primary Examiner* — Leanne Was-Englehart  
(74) *Attorney, Agent, or Firm* — Womble Bond Dickinson (US) LLP

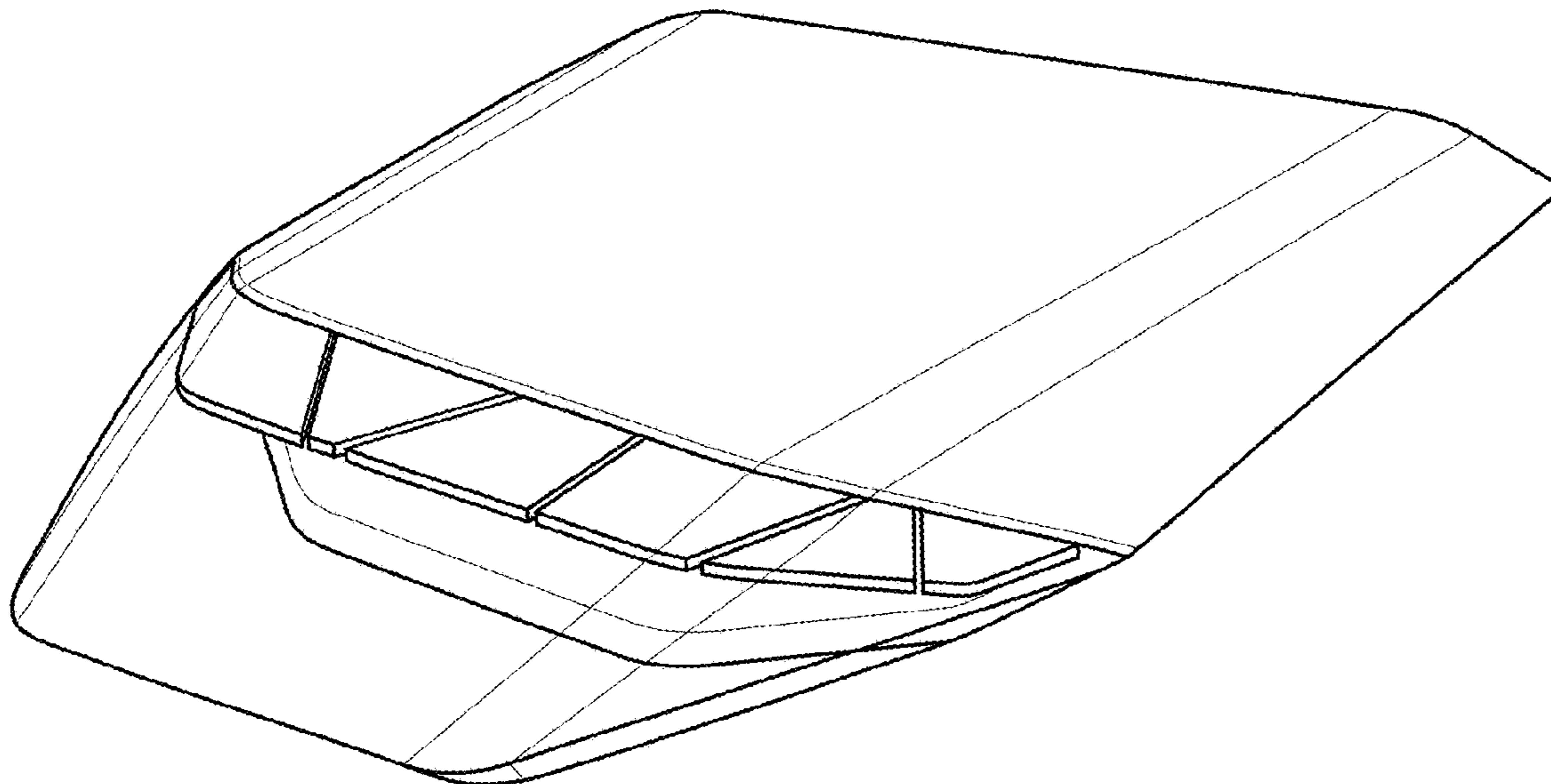
(57) **CLAIM**

The ornamental design for a light element, as shown and described.

**DESCRIPTION**

FIG. 1 is a front view of a light element showing the new design;  
FIG. 2 is a front and right-side-facing top perspective view thereof;  
FIG. 3 is a right-side view thereof;  
FIG. 4 is a left-side view thereof; and,  
FIG. 5 is a top view thereof.

**1 Claim, 5 Drawing Sheets**



(56)

**References Cited**

FOREIGN PATENT DOCUMENTS

JP                   D1538072       \* 11/2015  
NO    086024-0002-0002   \* 8/2018

OTHER PUBLICATIONS

2017 Byton M-Byte Concept on Behance <https://www.behance.net/gallery/69364679/2017-BYTON-M-Byte-Concept> Aug. 23, 2018 (Year: 2018).\*

Future Mobility Corporation startet Byton—Focus Online [https://www.focus.de/auto/elektroauto/future-mobility-corporation-startet-byton-bytes-on-wheels\\_id\\_7590586.html](https://www.focus.de/auto/elektroauto/future-mobility-corporation-startet-byton-bytes-on-wheels_id_7590586.html) Sep. 14, 2017 (Year: 2017).\*

The Ex-Parte Quayle Action of Design U.S. Appl. No. 29/639,455, dated Aug. 15, 2019, 5 pages.

The Notice of Allowance of Design U.S. Appl. No. 29/639,455, dated Nov. 18, 2019, 8 pages.

\* cited by examiner

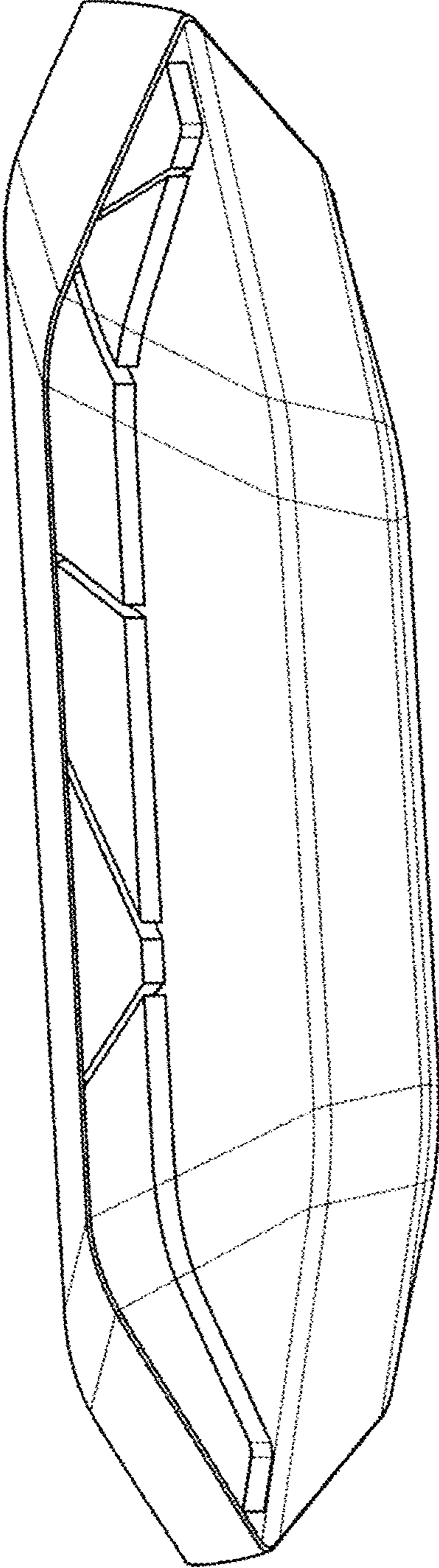


FIG. 1

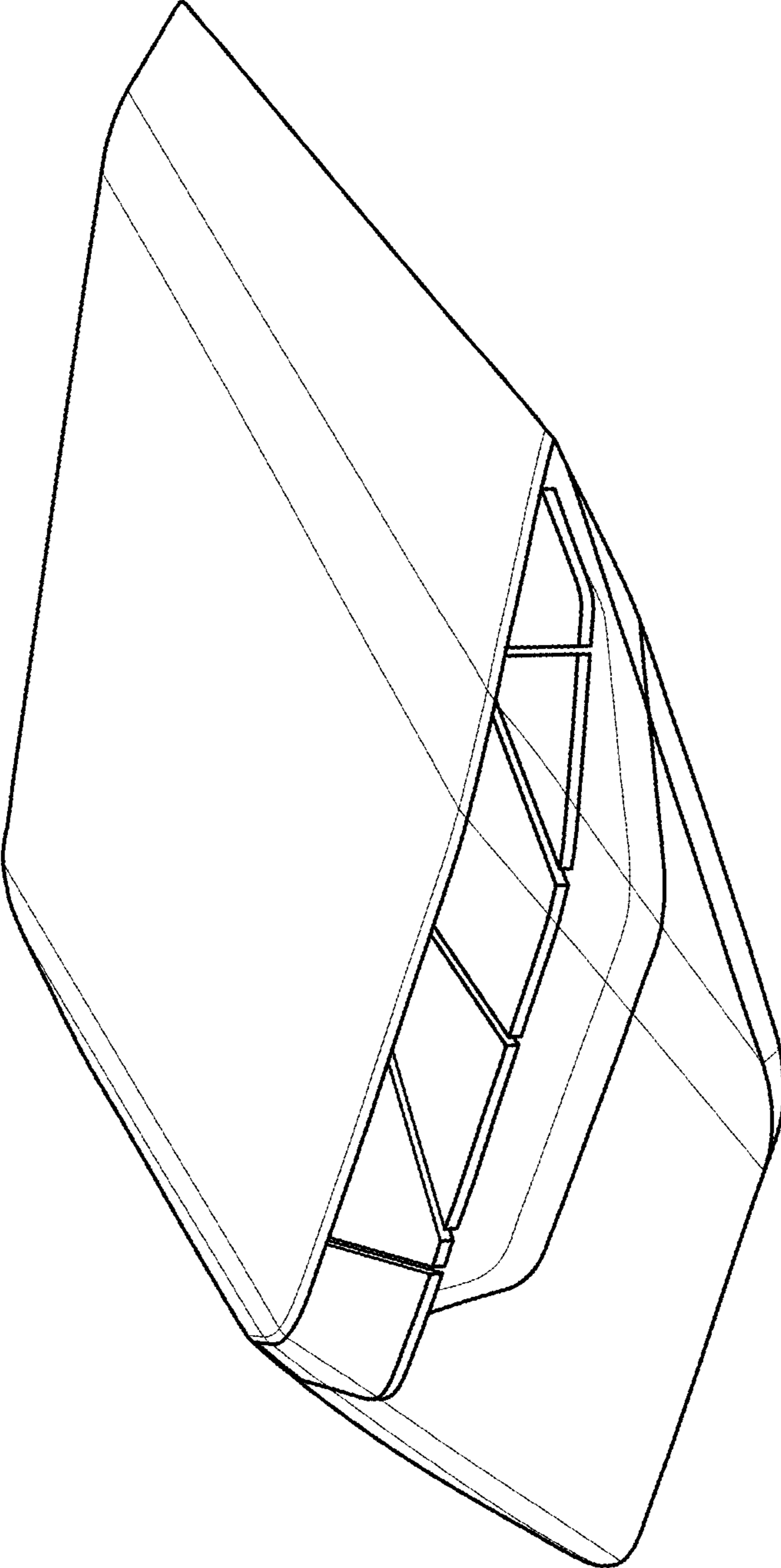


FIG. 2

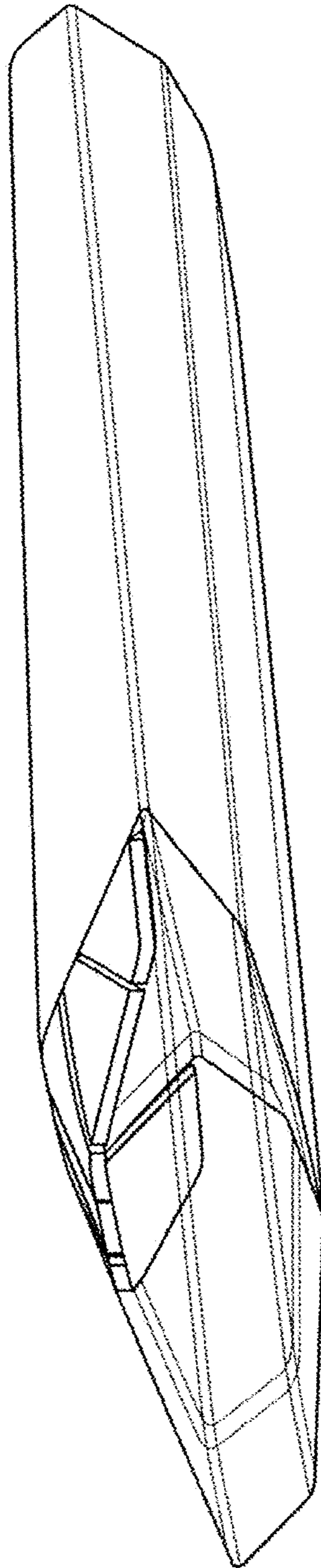


FIG. 3

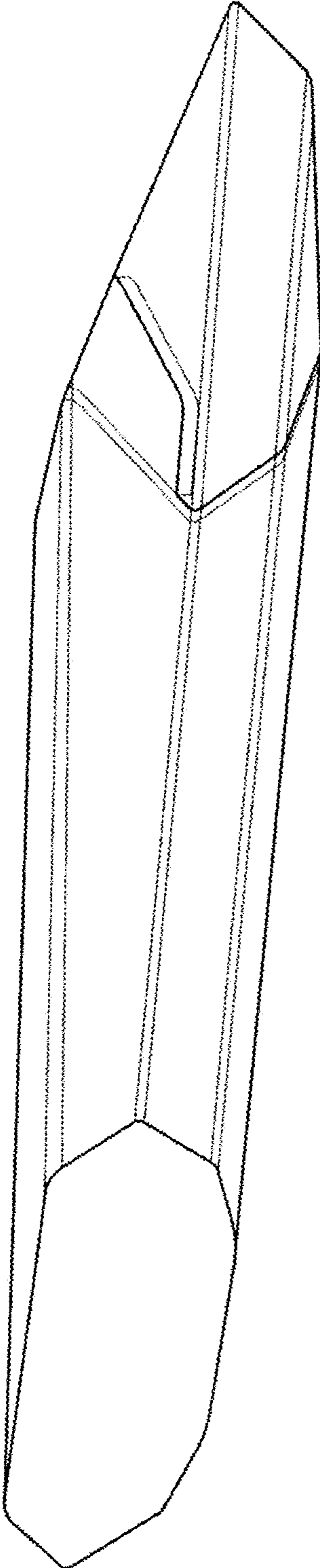


FIG. 4

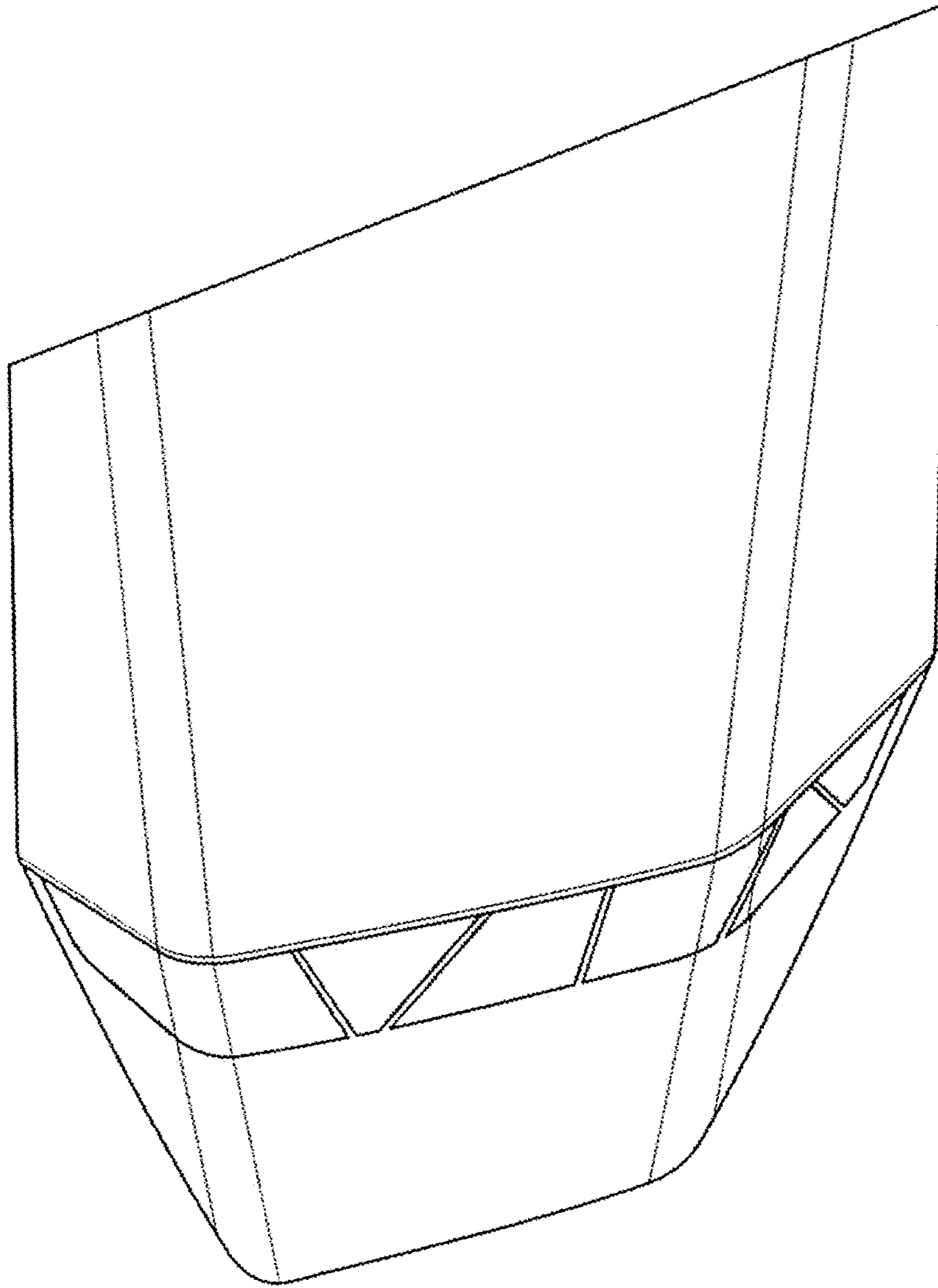


FIG. 5