



US00D893060S

(12) **United States Design Patent** (10) **Patent No.:** **US D893,060 S**  
**Israni** (45) **Date of Patent:** **\*\* Aug. 11, 2020**

(54) **PORTABLE LIGHT DEVICE**

(71) Applicant: **Trendstar Corporation**, Fairfield, NJ (US)

(72) Inventor: **Rajesh Israni**, Fairfield, NJ (US)

(73) Assignee: **TRENDSTAR CORPORATION**, Fairfield, NJ (US)

(\*\*) Term: **15 Years**

(21) Appl. No.: **29/686,494**

(22) Filed: **Apr. 4, 2019**

(51) **LOC (12) Cl.** ..... **26-03**

(52) **U.S. Cl.**  
USPC ..... **D26/24**

(58) **Field of Classification Search**  
USPC ..... D26/1, 24, 34, 36, 44, 49, 51, 61, 93,  
D26/104, 106, 123, 124, 137; D10/104.1,  
(Continued)

(56) **References Cited**

U.S. PATENT DOCUMENTS

- 3,808,081 A \* 4/1974 Okuhara ..... B44F 11/00  
362/142
- D411,327 S \* 6/1999 Wang ..... D26/106  
(Continued)

OTHER PUBLICATIONS

“Introducing Bionic Ball™” Bionic Ball, [www.trybionicball.com](http://www.trybionicball.com);  
as of at least Jan. 24, 2019.

*Primary Examiner* — Wan Laymon

*Assistant Examiner* — Clint A Samuel

(74) *Attorney, Agent, or Firm* — Leason Ellis LLP

(57) **CLAIM**

The ornamental design for a portable light device, as shown and described.

**DESCRIPTION**

FIG. 1 is a top and side perspective view of a portable light device showing my new ornamental design including a portable light component and a base;

FIG. 2 is a top plan view of the portable light component;

FIG. 3 is a bottom plan view of the portable light component;

FIG. 4 is a left side elevation view thereof with the portable light component being separated from the base;

FIG. 5 is a right side elevation view thereof with the portable light component being shown separated from the base;

FIG. 6 is a front elevation view thereof with the portable light component being shown separated from the base, the rear elevation view being a mirror image thereof;

FIG. 7 is a top and side perspective view of a portable light device showing my new ornamental design including a portable light component and a base;

FIG. 8 is a top plan view of the portable light component;

FIG. 9 is a bottom plan view of the portable light component;

FIG. 10 is a left side elevation view thereof with the portable light component being separated from the base;

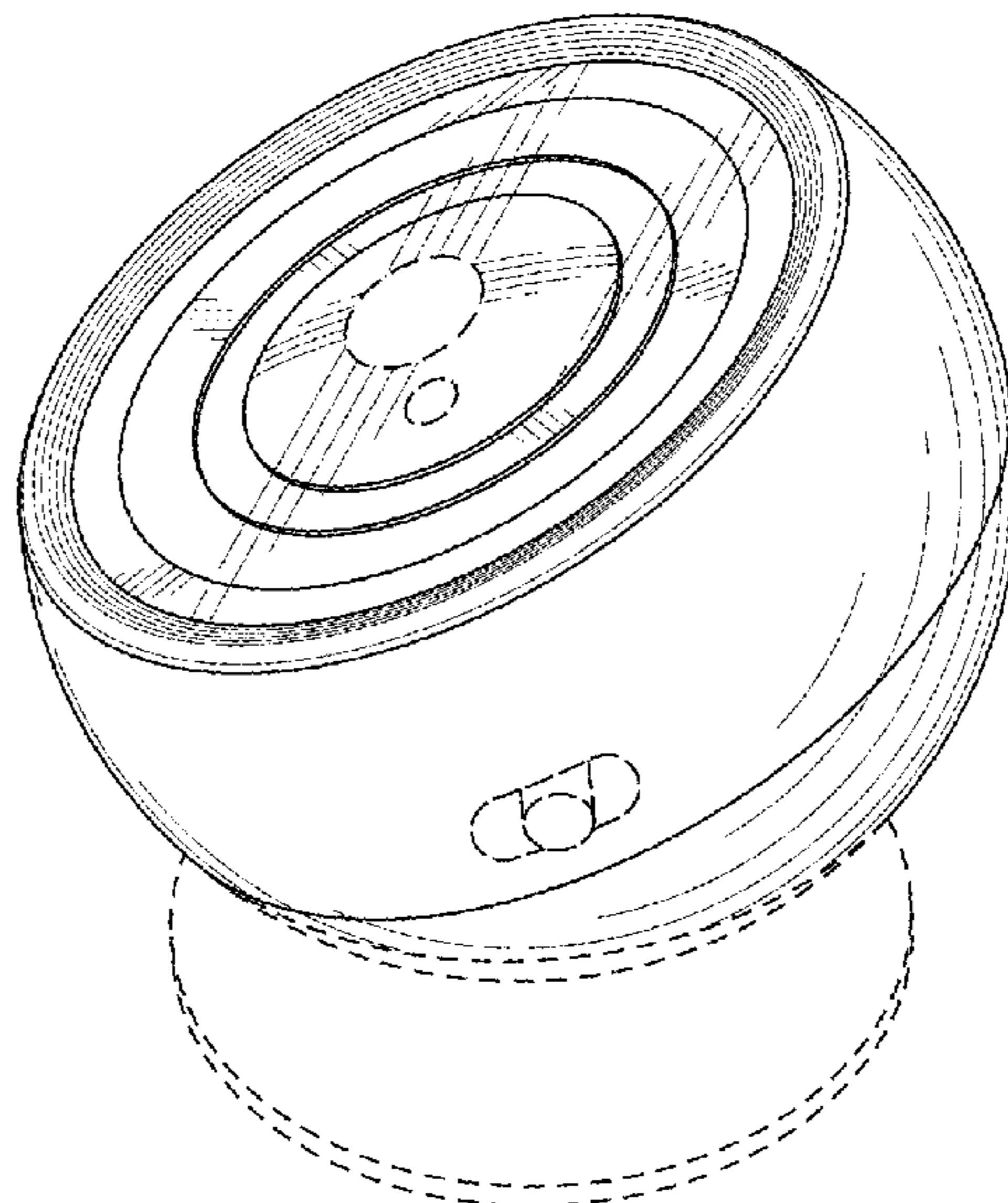
FIG. 11 is a right side elevation view thereof with the portable light component being shown separated from the base; and,

FIG. 12 is a front elevation view thereof with the portable light component being shown separated from the base, the rear elevation view being a mirror image thereof.

The broken lines illustrating the base, control button, and sensor features form no part of the claimed design.

The gray shading shown in FIGS. 7 and 8 is a figurative effect meant to portray the illusion of a contrasting surface feature of the claimed design, without claiming any particular color, wherein the regions shown in gray shading appear visually different than adjacent portions of the claimed design.

**1 Claim, 12 Drawing Sheets**



(58) **Field of Classification Search**

USPC ..... D10/107, 114.1, 114.2, 114.8; 362/362,  
362/641  
CPC ..... F21V 21/00; F21V 21/30; F21V 15/01;  
F21V 7/00; F21V 7/04; F21V 7/043;  
F21V 7/045; F21V 7/046; F21V 37/0095;  
F21S 9/00; F21S 9/022; F21S 8/35; F21S  
10/00; F21S 10/007

See application file for complete search history.

(56) **References Cited**

U.S. PATENT DOCUMENTS

D429,175 S \* 8/2000 Ha ..... D10/104.1  
D468,477 S \* 1/2003 Landefeld ..... D26/104  
D556,354 S \* 11/2007 Prazoff ..... D26/61  
7,562,995 B1 \* 7/2009 Levine ..... F21S 8/03  
362/191  
D756,541 S \* 5/2016 Lagier ..... D26/1  
D836,821 S \* 12/2018 Ossino ..... D26/106  
10,323,811 B2 \* 6/2019 Chien ..... F21S 6/002  
D858,861 S \* 9/2019 Lin ..... D26/108  
D861,967 S \* 10/2019 Lin ..... D26/110  
D880,741 S \* 4/2020 Duarte ..... D26/61  
D885,643 S \* 5/2020 Chen ..... D26/106  
2011/0310613 A1 \* 12/2011 Evans ..... A61M 21/02  
362/272  
2019/0030360 A1 \* 1/2019 Iwahashi ..... F21S 6/00

\* cited by examiner

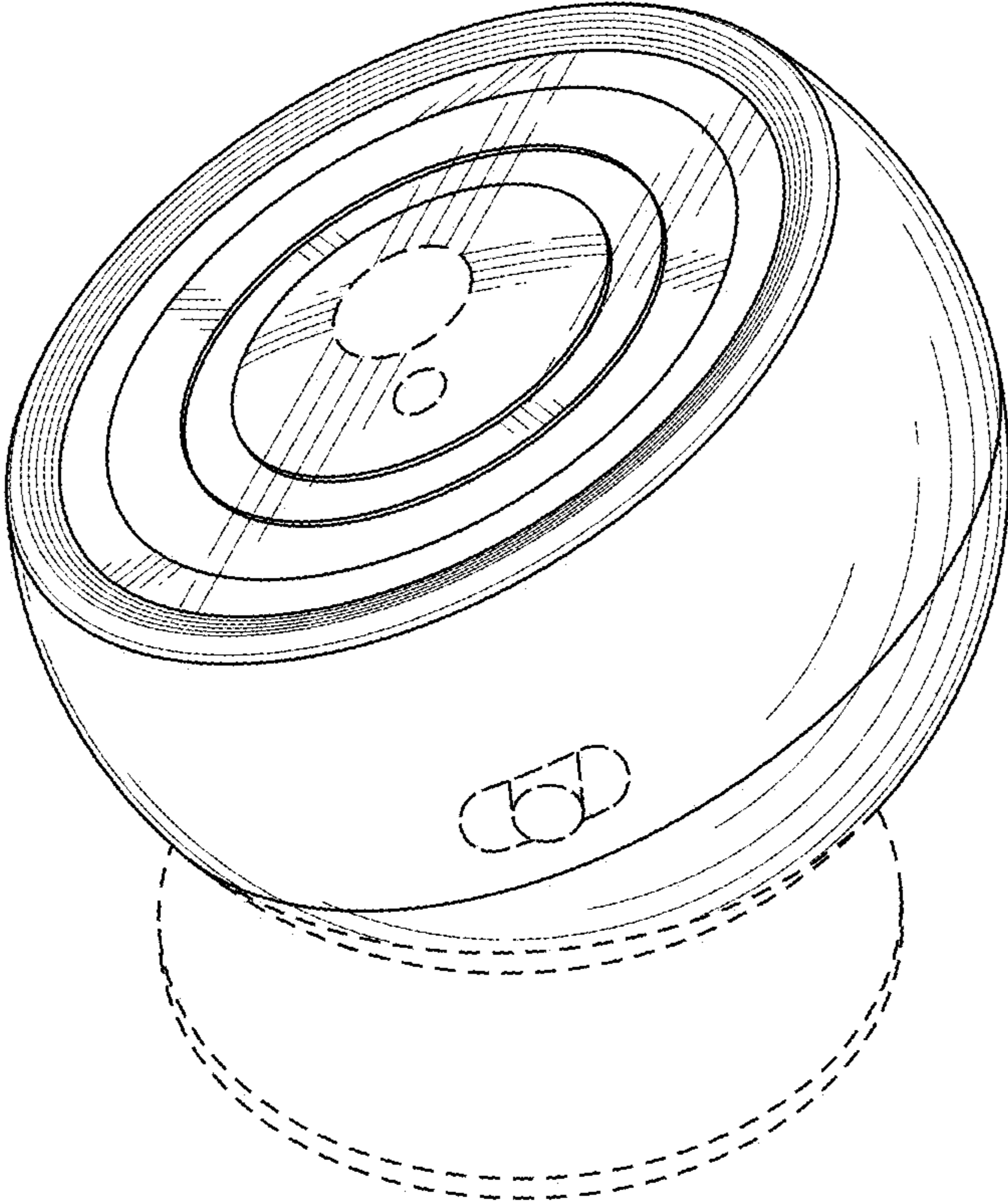


Fig. 1



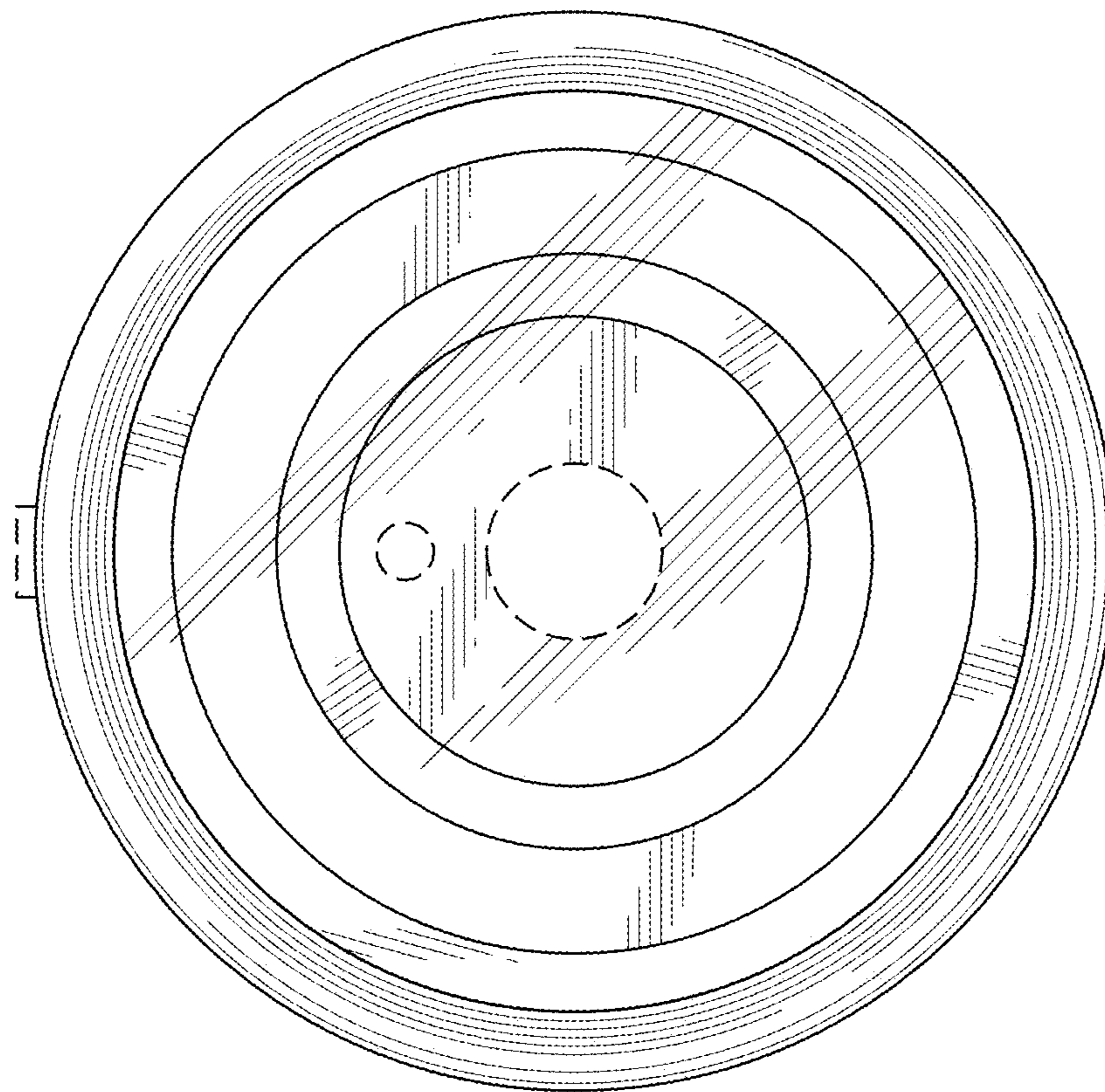


Fig. 2

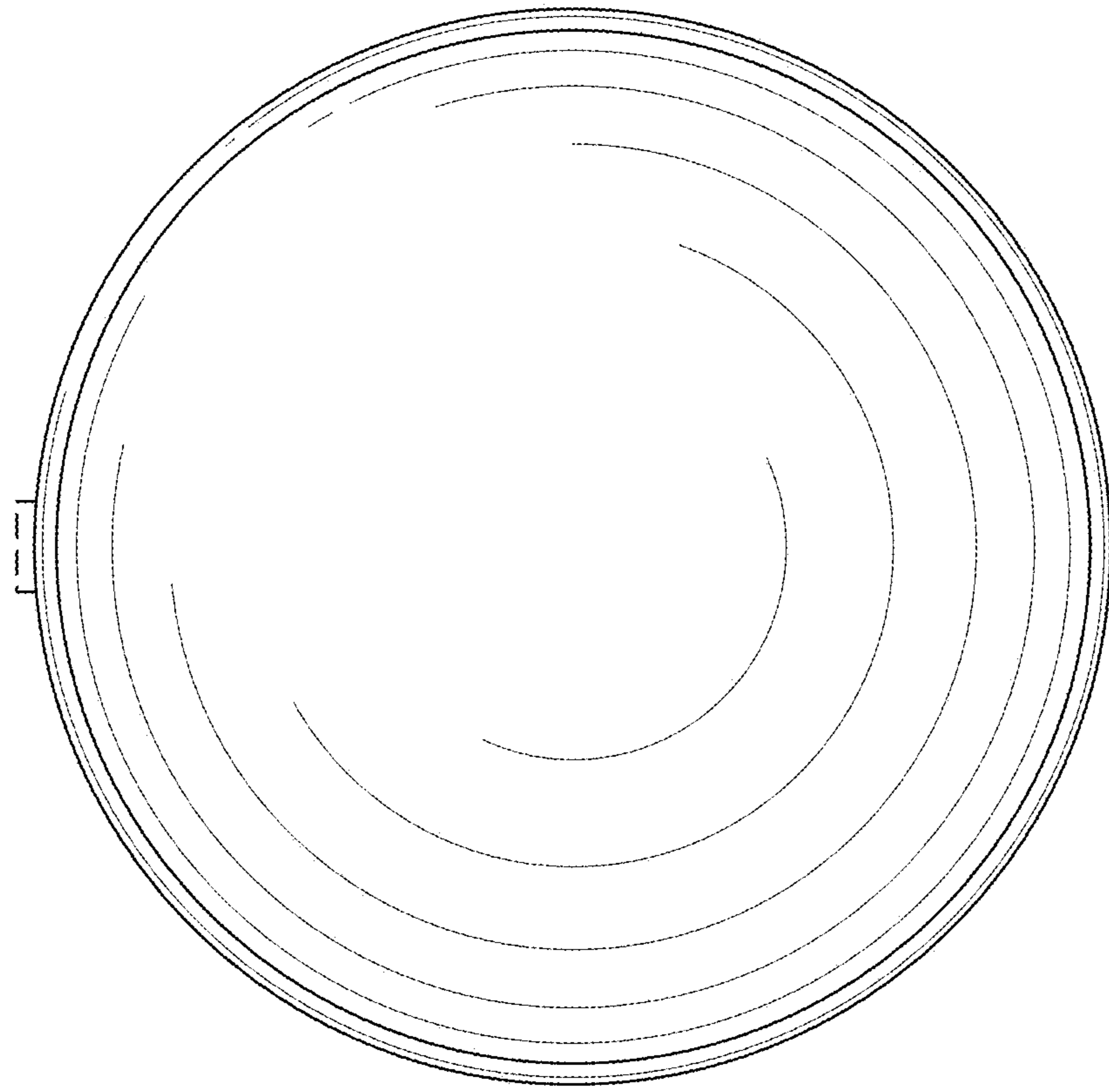


Fig. 3

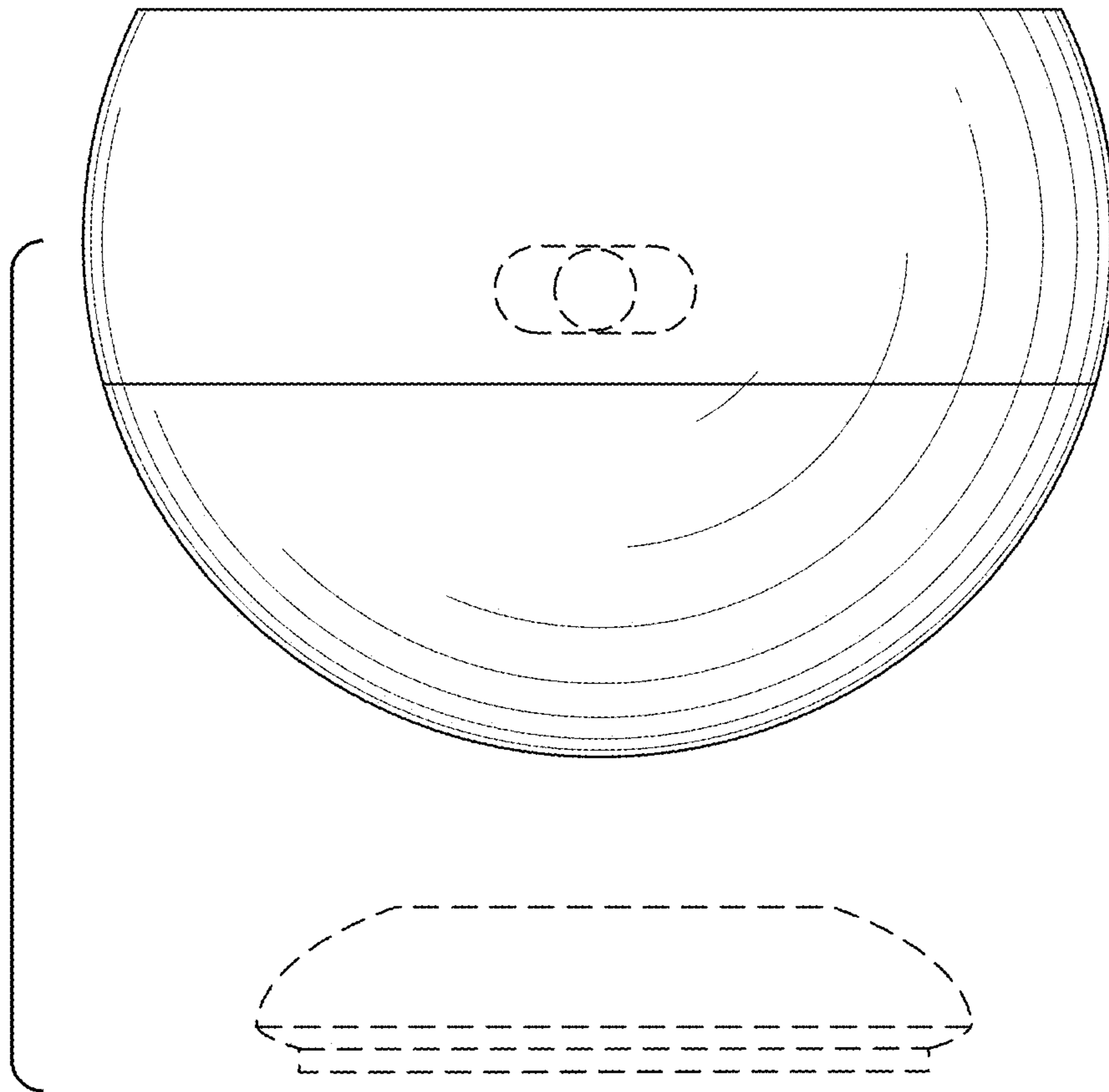


Fig. 4

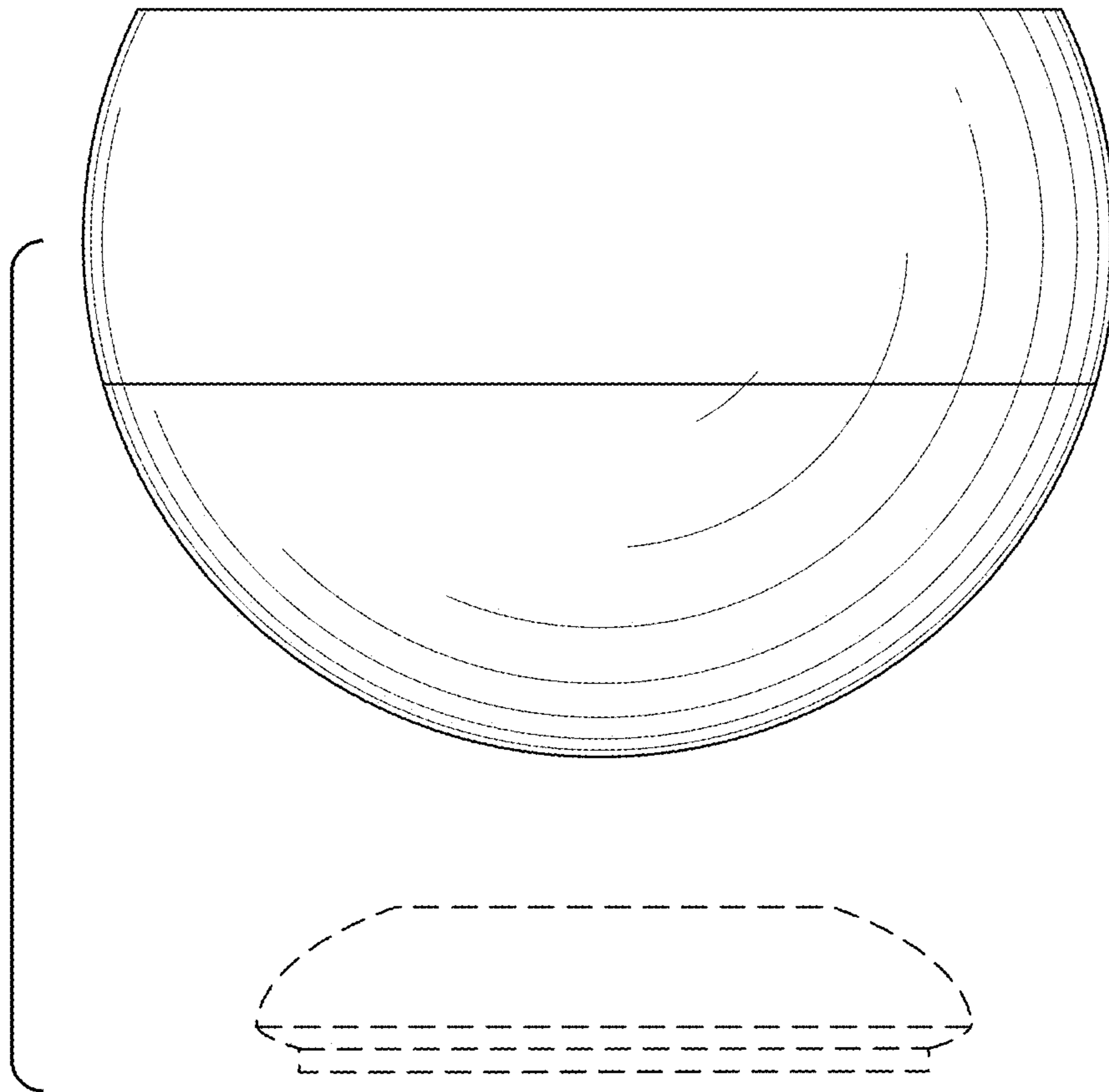


Fig. 5

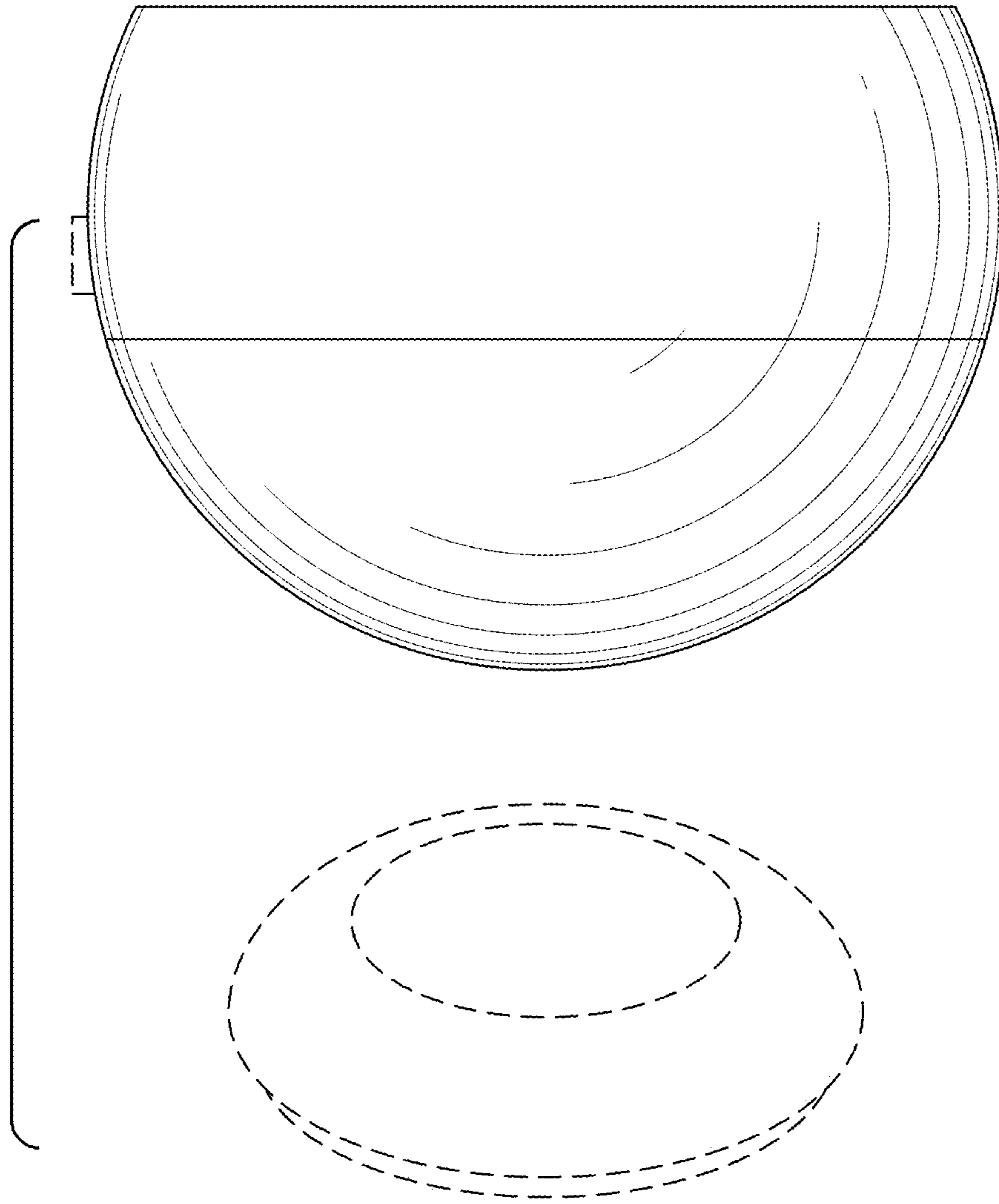


Fig. 6



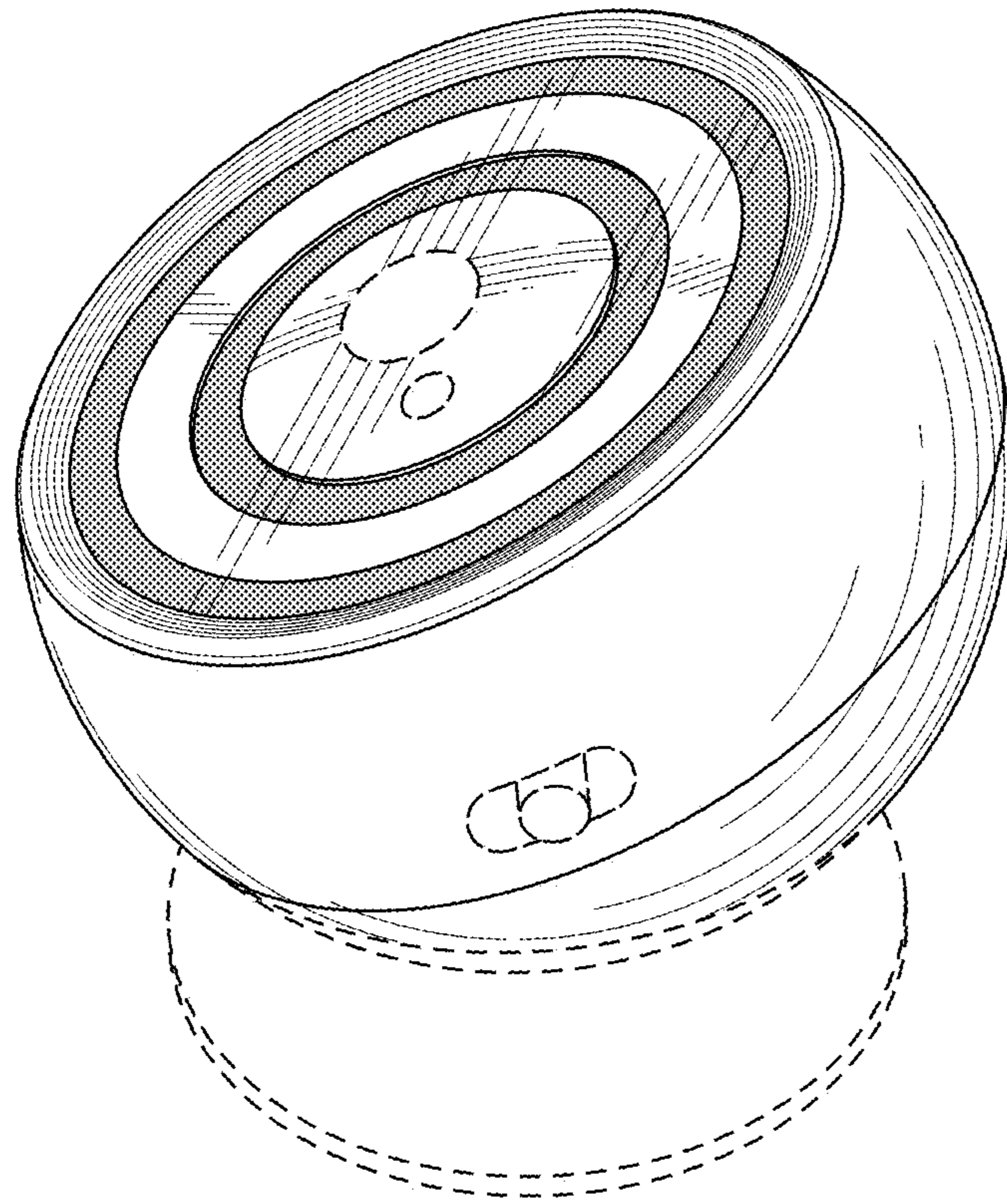


Fig. 7

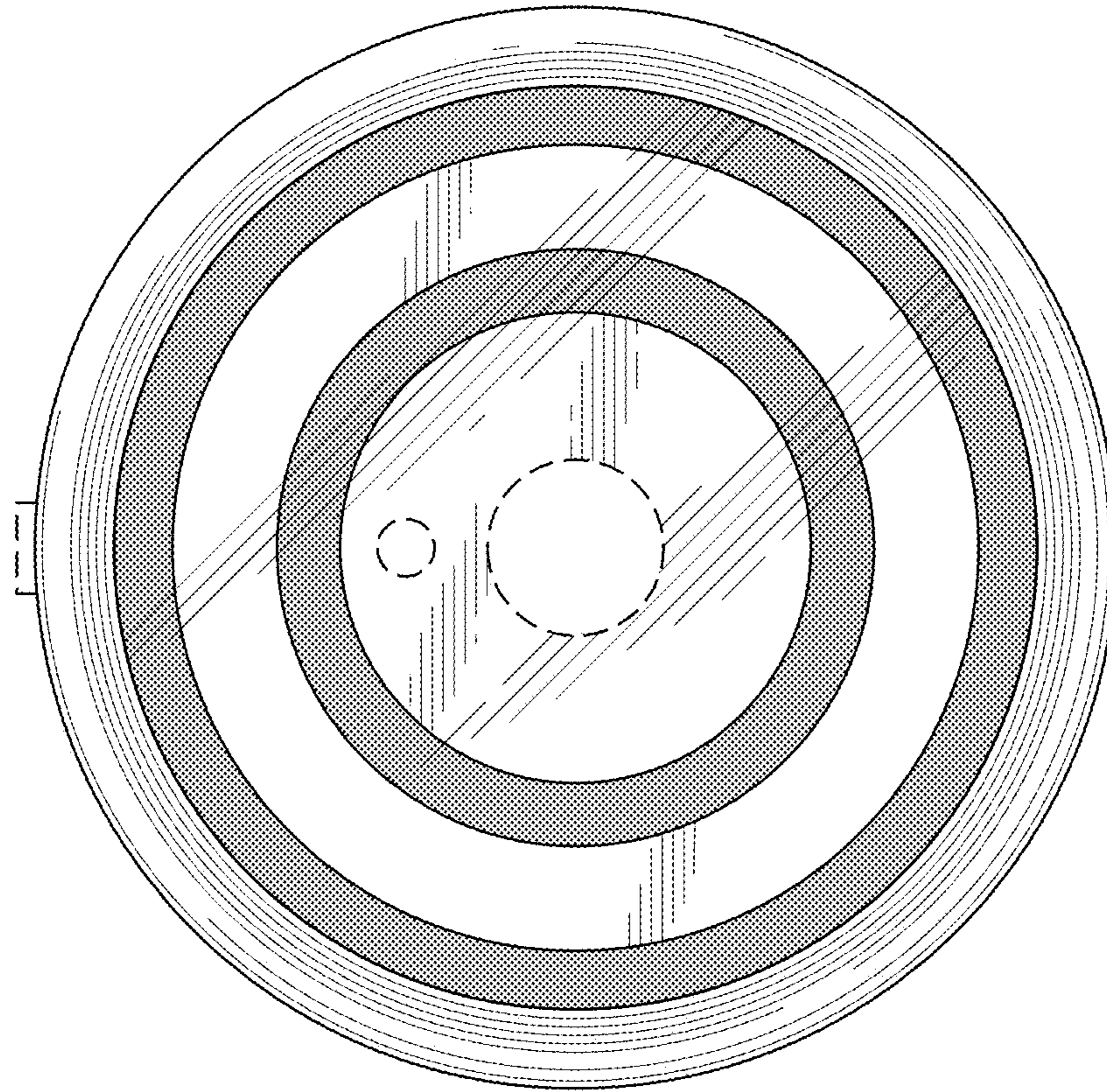


Fig. 8

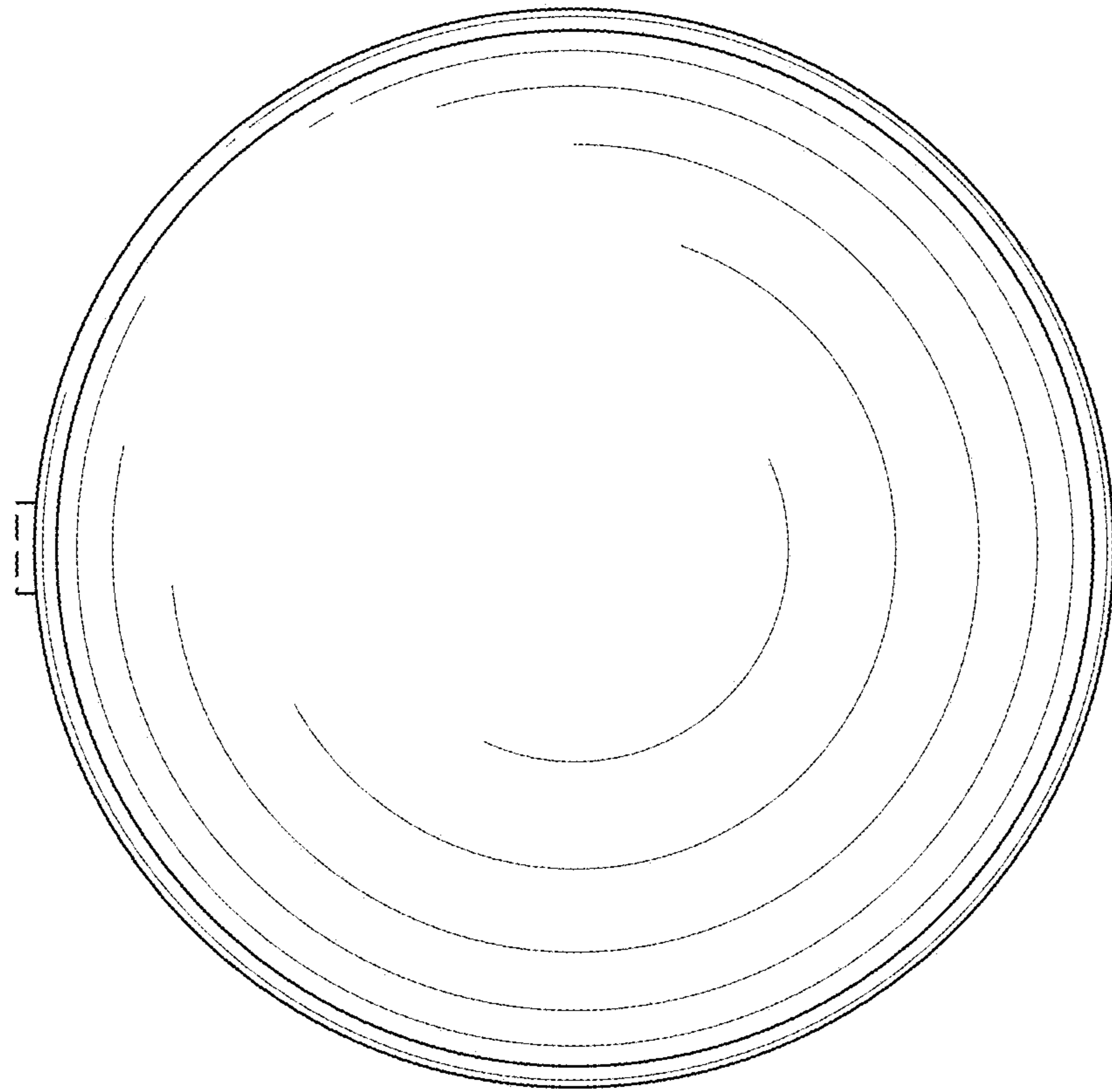


Fig. 9

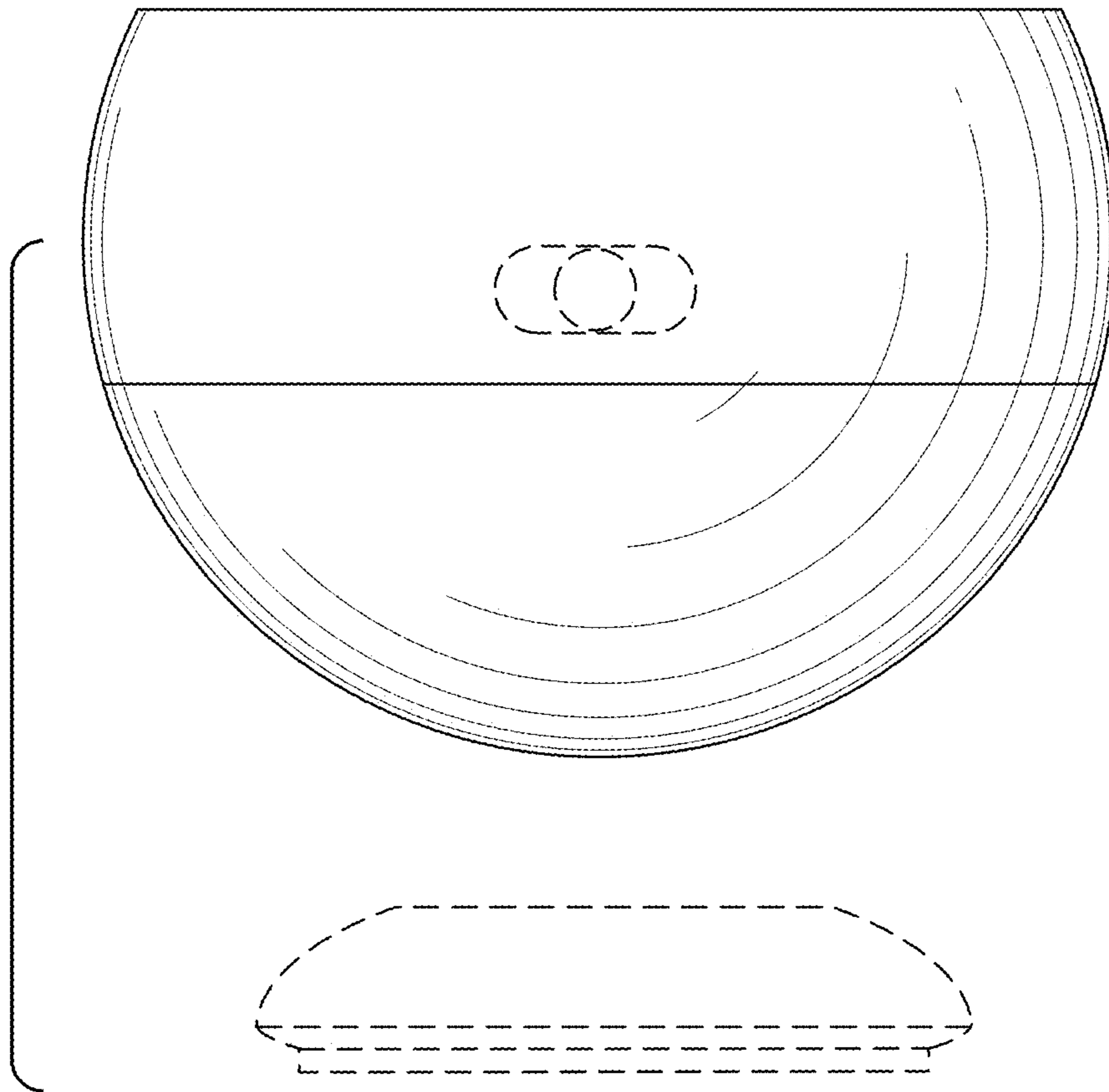


Fig. 10

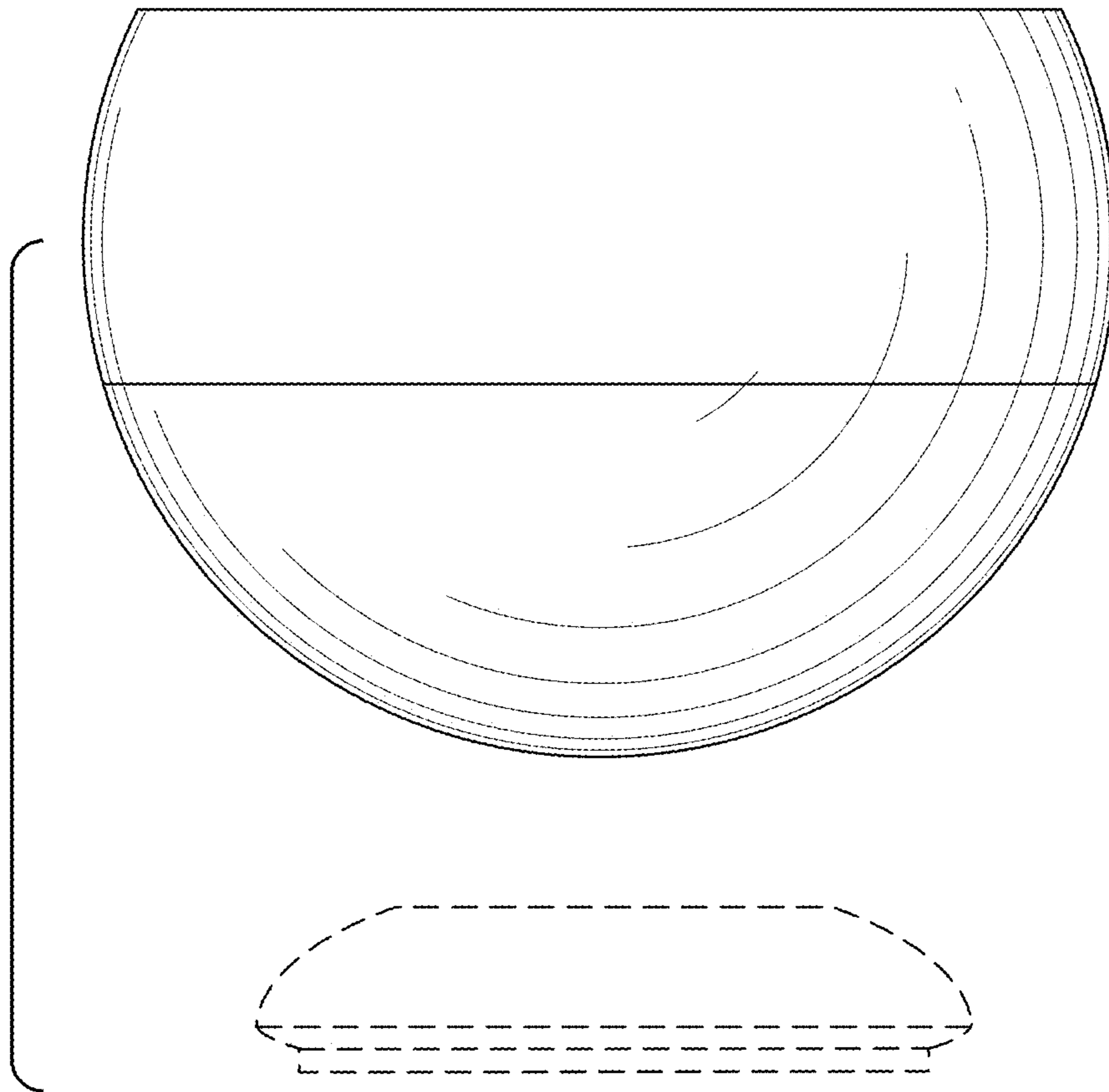


Fig. 11



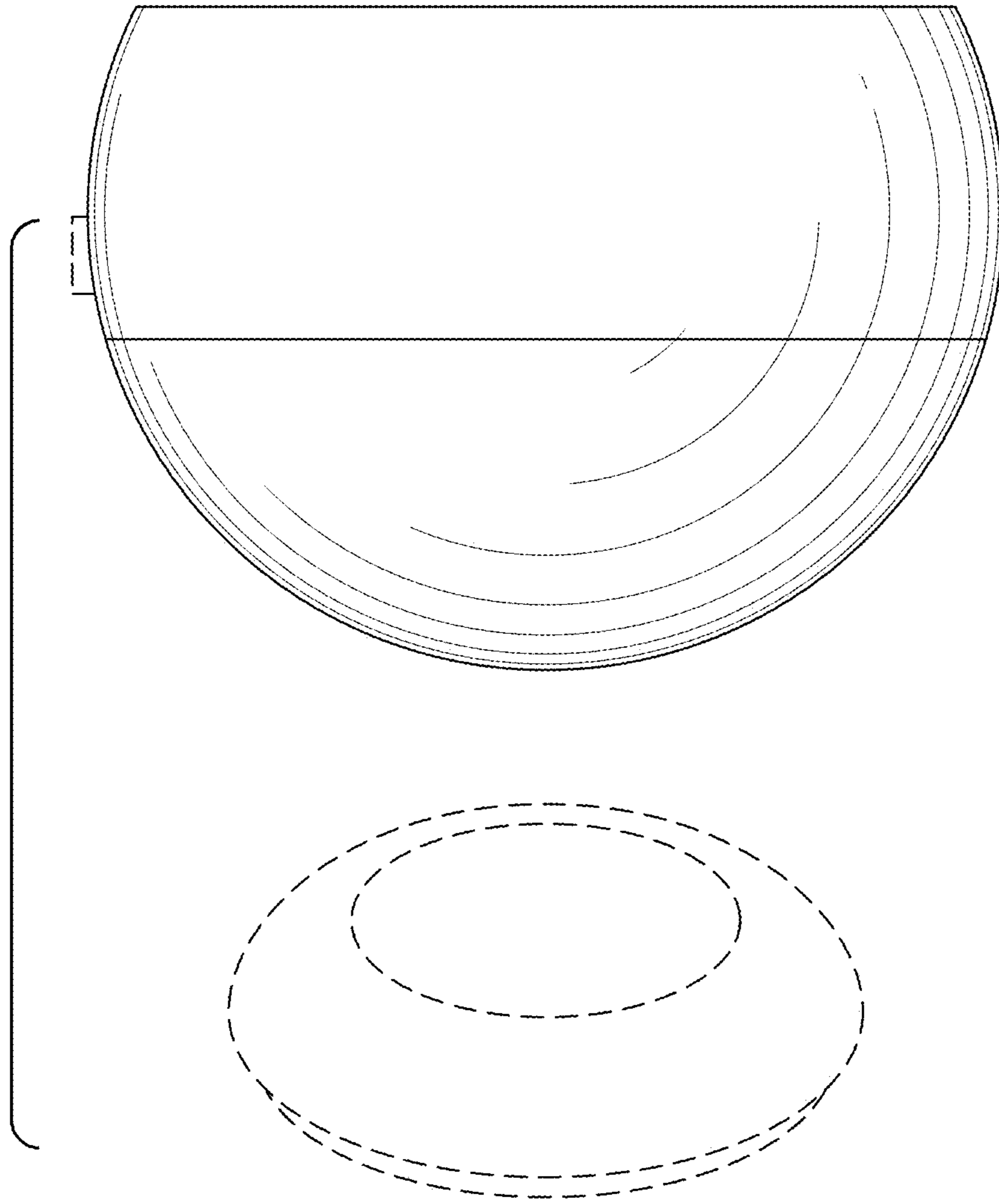


Fig. 12