

US00D893058S

(12) **United States Design Patent** (10) **Patent No.:** **US D893,058 S**
Maertin (45) **Date of Patent:** **** *Aug. 11, 2020**

(54) **CHIMNEY CAP FLASHING**
(71) Applicant: **Brandon Maertin**, Dundee, MI (US)
(72) Inventor: **Brandon Maertin**, Dundee, MI (US)
(73) Assignee: **Brandon Maertin**, Dundee, MI (US)
(*) Notice: This patent is subject to a terminal disclaimer.
(**) Term: **15 Years**
(21) Appl. No.: **29/658,983**
(22) Filed: **Aug. 3, 2018**
(51) **LOC (12) Cl.** **25-99**
(52) **U.S. Cl.**
USPC **D25/199**
(58) **Field of Classification Search**
USPC D25/56, 141, 199, 60, 119, 162, 55, 138,
D25/164; D23/267, 343-348, 370, 371,
D23/373-376, 386, 393
CPC E04D 13/15; E04D 13/00; E04D 13/064;
E04D 1/36; E04D 13/14; E04D 13/1407;
E04D 13/1415; E04D 13/147; E04D
2013/1422; E04C 2/08; E04F 17/02;
E04F 17/026
See application file for complete search history.

(56) **References Cited**

U.S. PATENT DOCUMENTS

2,417,039 A * 3/1947 Albaugh E04F 17/026
52/244
2,956,495 A * 10/1960 Sublette E04D 13/1475
454/36
3,127,960 A * 4/1964 Smith E04C 2/08
52/222
3,242,622 A * 3/1966 Snead E04D 13/15
52/94
3,243,926 A * 4/1966 Keyt E04D 13/15
52/94
D297,465 S * 8/1988 Nally D25/119

4,951,431 A * 8/1990 Sweers E04D 13/1475
52/219
D397,810 S * 9/1998 Basset D25/199
5,970,667 A * 10/1999 Thaler E04D 13/1407
285/42
6,035,587 A * 3/2000 Dressler E04D 13/0459
52/716.2
D479,751 S * 9/2003 Schofield D23/267
6,681,613 B1 * 1/2004 English B21D 5/00
72/319
D486,921 S * 2/2004 Zyburt D25/119
6,912,814 B1 * 7/2005 Inzeo E04D 3/405
52/300
D530,191 S * 10/2006 Taylor D8/394
D586,439 S * 2/2009 Porter D23/267
D651,293 S * 12/2011 Sager, Sr. D23/267
D661,819 S * 6/2012 Rider D25/119

(Continued)

OTHER PUBLICATIONS

Flashings and Copings: Gravel Stops and Fascias, date first captured Dec. 24, 2013, site visited Sep. 23, 2019, Copyright © 1996-2019, retrieved from www.archive.org, <https://www.copper.org/applications/architecture/arch_dhb/arch-details/fashings_copings/gravel_stops.html>.*

Primary Examiner — Karen E Kearney
Assistant Examiner — Sharon S Oum
(74) *Attorney, Agent, or Firm* — Donald K. Wedding

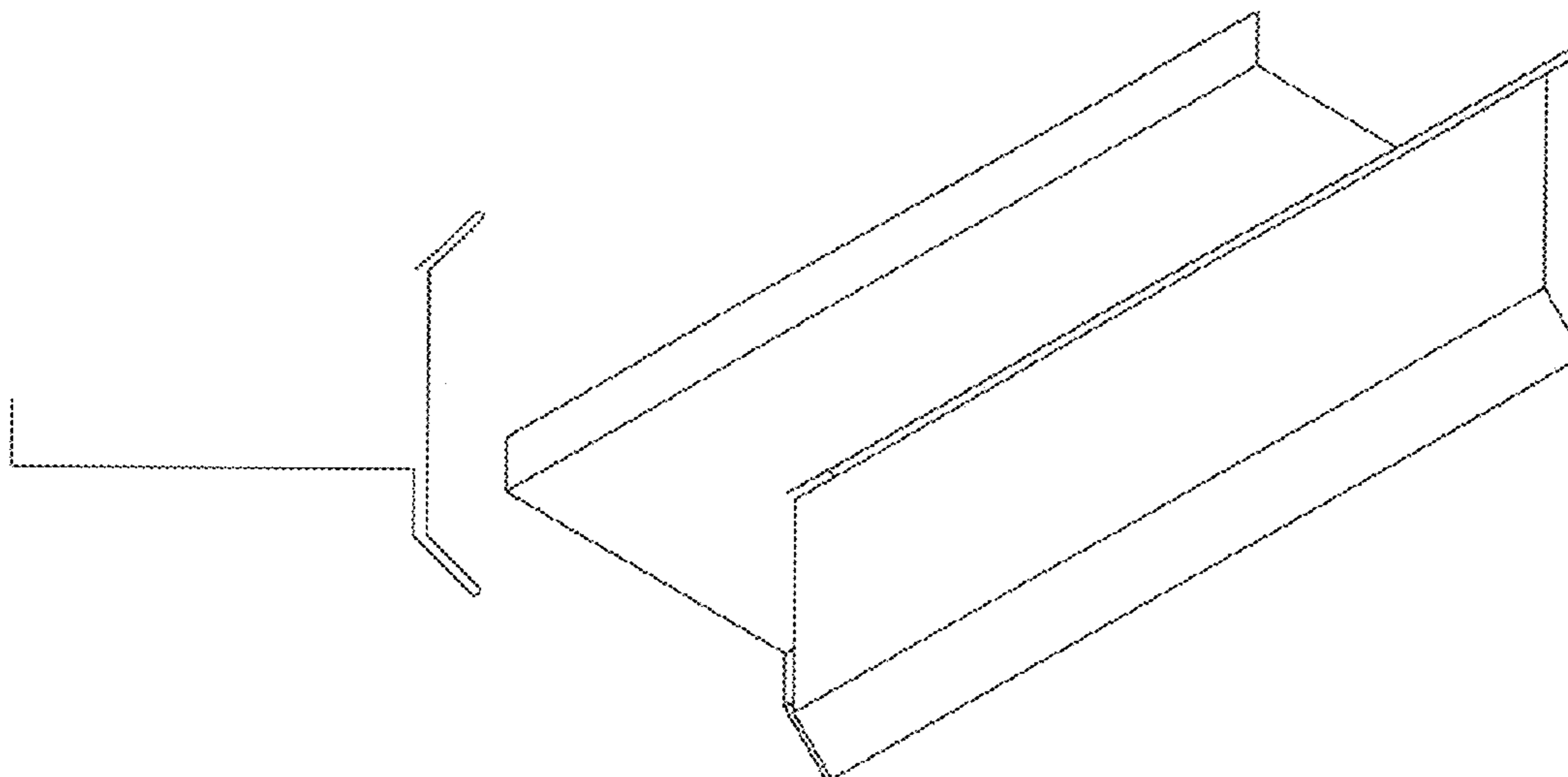
(57) **CLAIM**

The ornamental design for a chimney cap flashing, as shown and described.

DESCRIPTION

FIG. 1 is a left side view, showing my new design, the right end view being a mirror image of the left side.
FIG. 2 is a front isometric view thereof;
FIG. 3 is a rear isometric view thereof;
FIG. 4 is a front view thereof; and,
FIG. 5 is a rear view thereof.

1 Claim, 3 Drawing Sheets



(56)

References Cited

U.S. PATENT DOCUMENTS

D750,278 S * 2/2016 Bodwell D25/119
D767,111 S * 9/2016 Glick, Jr. D23/386
D859,693 S * 9/2019 Albert, IV D25/119
2002/0096242 A1* 7/2002 Wasitis E04D 13/1407
156/71
2003/0177736 A1* 9/2003 Gatherum E04B 1/70
52/741.1
2016/0168859 A1* 6/2016 Vargas E04D 13/158
52/716.2
2017/0342708 A1* 11/2017 Hensley E04B 1/6813
2018/0230695 A1* 8/2018 Arnold E04D 13/158

* cited by examiner

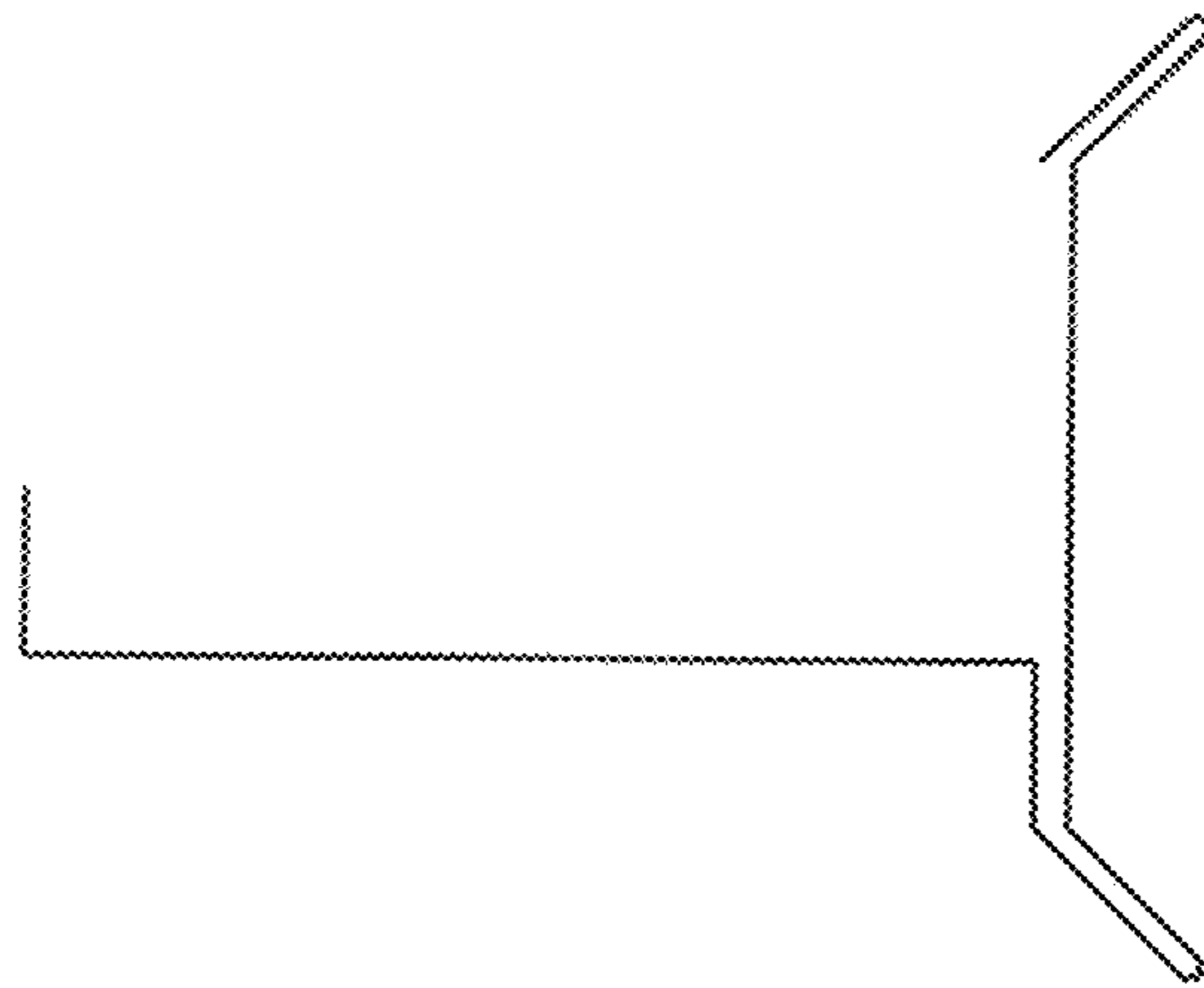


FIG. 1

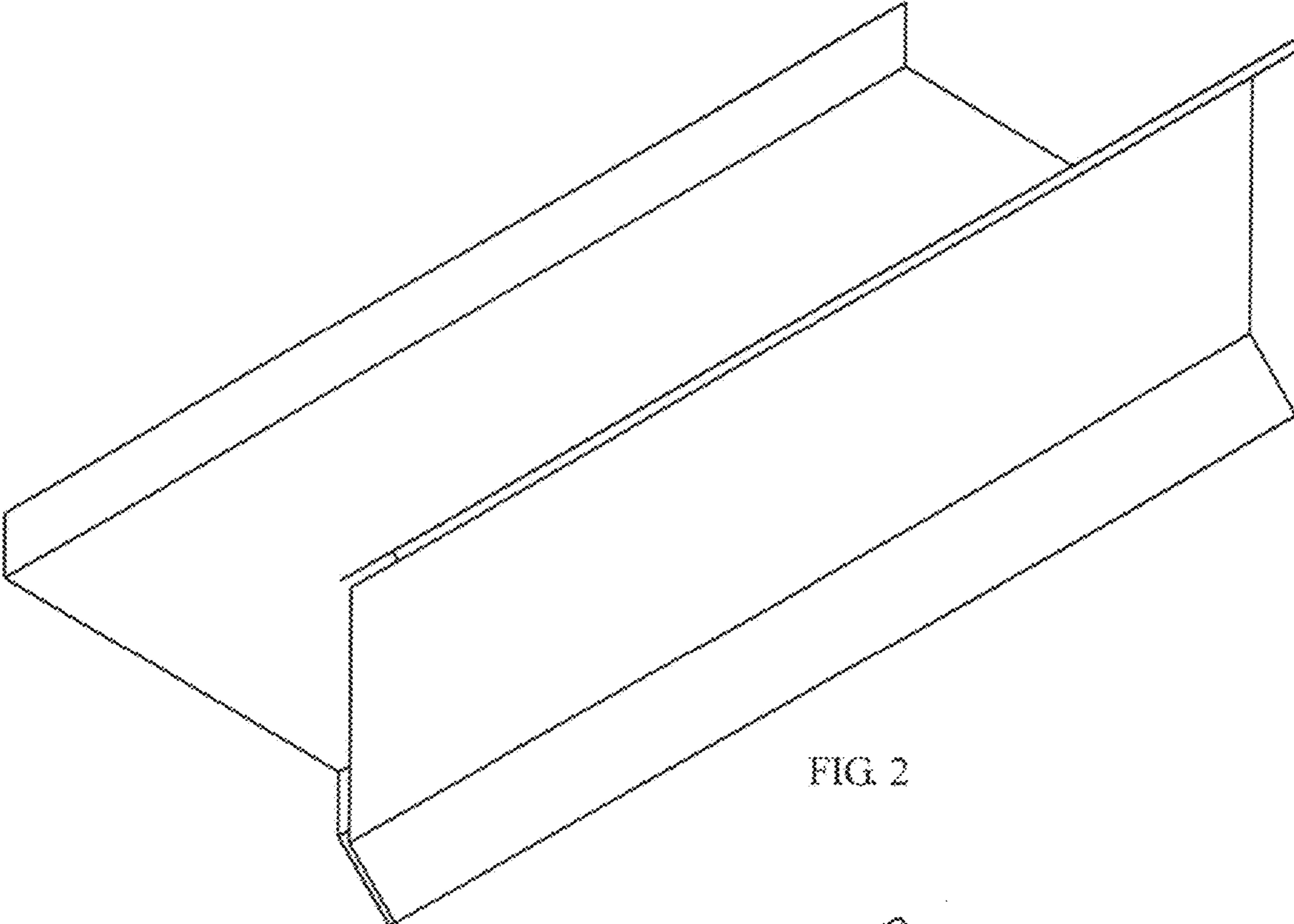


FIG. 2

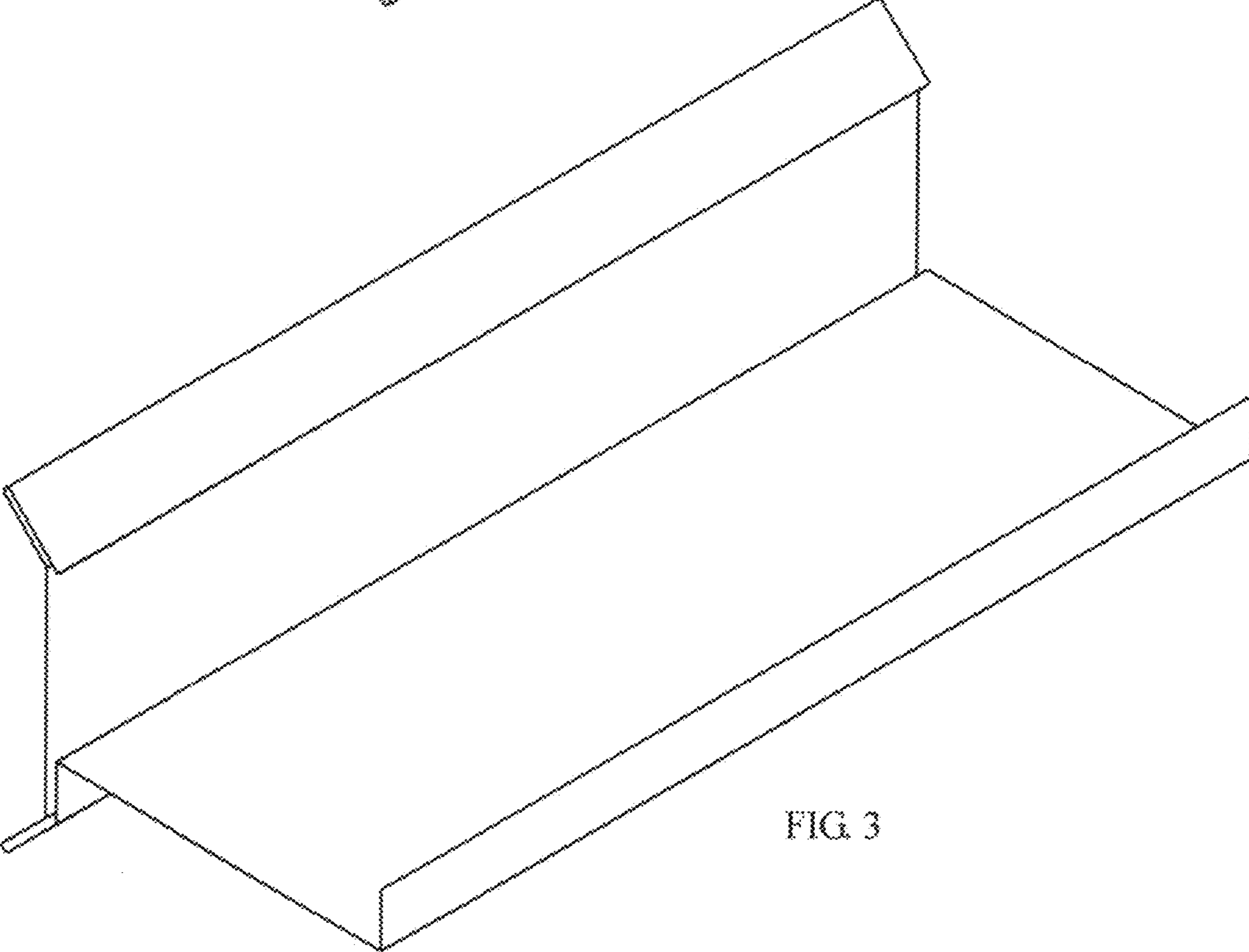


FIG. 3

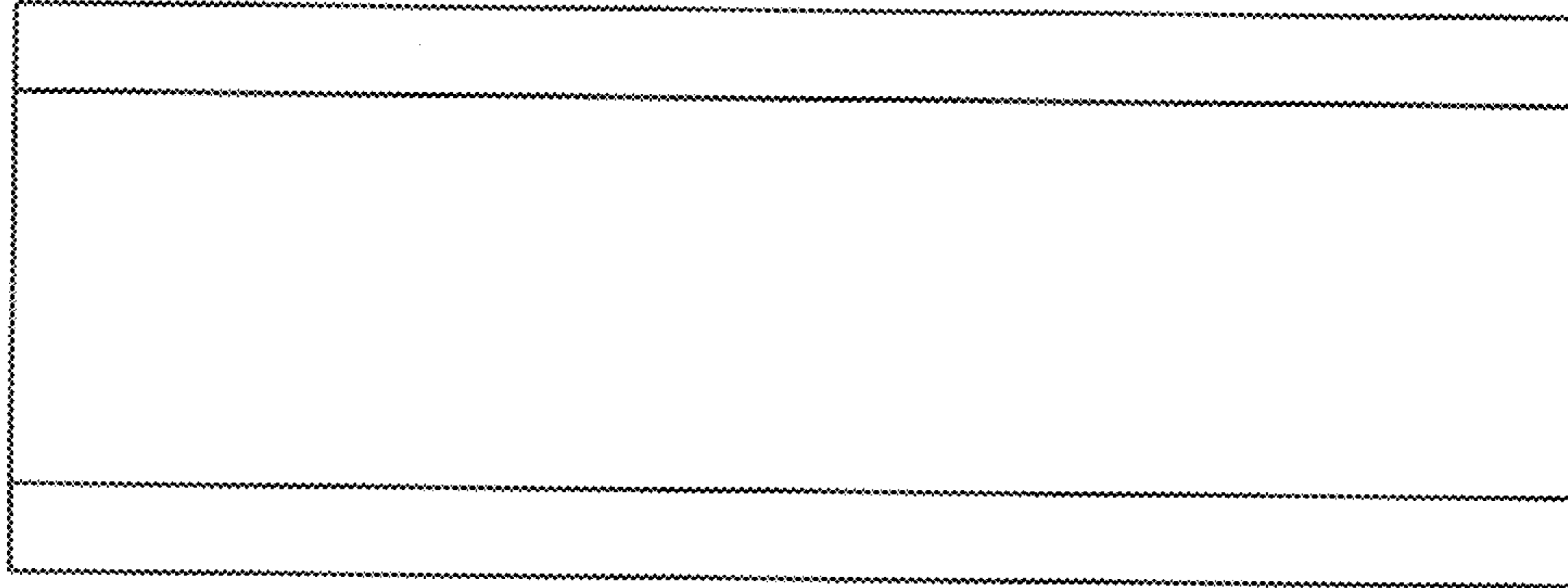


FIG. 4

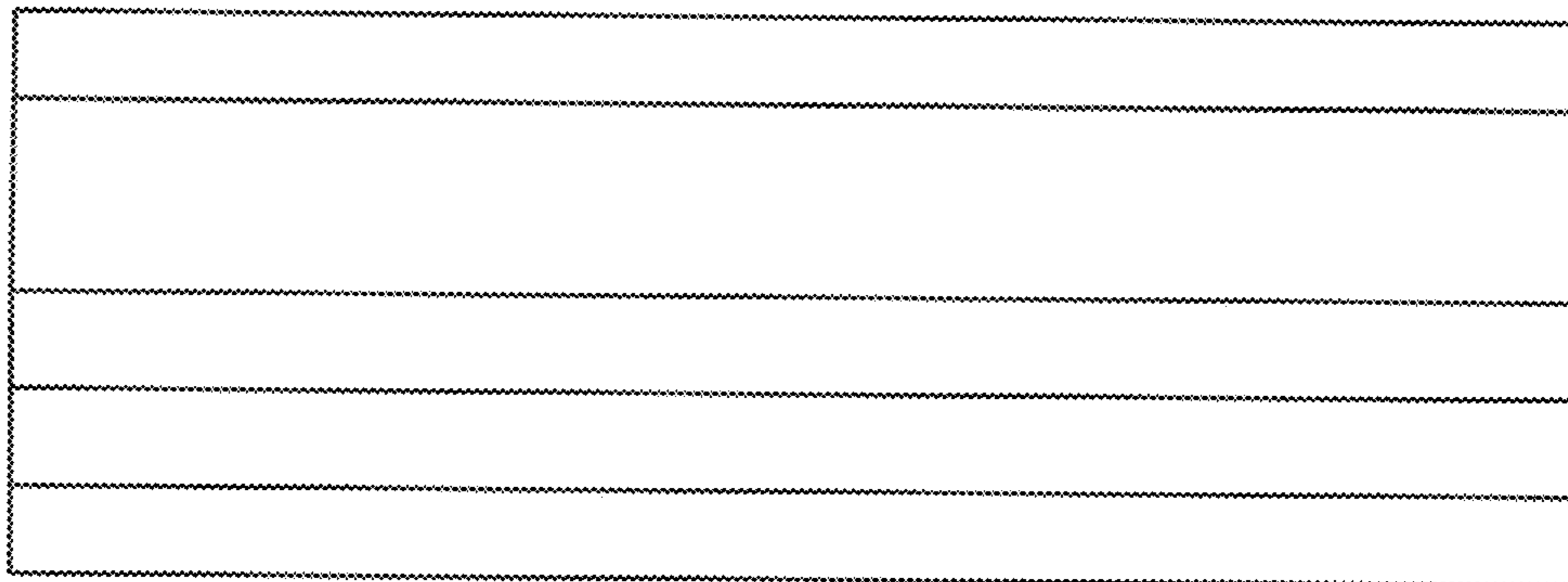


FIG. 5