

US00D893056S

(12) **United States Design Patent** (10) **Patent No.:** **US D893,056 S**
Booth (45) **Date of Patent:** **** Aug. 11, 2020**

(54) **VINYL SIDING FIXTURE MOUNT**

8,245,453 B2 * 8/2012 Struthers H02G 3/00
52/204.1

(71) Applicant: **Terry Booth**, Niagara Falls (CA)

D704,353 S * 5/2014 Redwine D25/139
D755,997 S * 5/2016 Frey D25/139

(72) Inventor: **Terry Booth**, Niagara Falls (CA)

* cited by examiner

(**) Term: **15 Years**

Primary Examiner — Doris Clark

(21) Appl. No.: **29/679,525**

(74) *Attorney, Agent, or Firm* — Sanchelima &
Associates, P.A.; Christian Sanchelima; Jesus Sanchelima

(22) Filed: **Feb. 7, 2019**

(51) **LOC (12) Cl.** **25-01**

(57) **CLAIM**

(52) **U.S. Cl.**

The ornamental design for vinyl siding fixture mount, as shown and described.

USPC **D25/139**

(58) **Field of Classification Search**

DESCRIPTION

USPC D25/139, 140

CPC E04F 19/00; E04F 21/1855; F21V 21/02

See application file for complete search history.

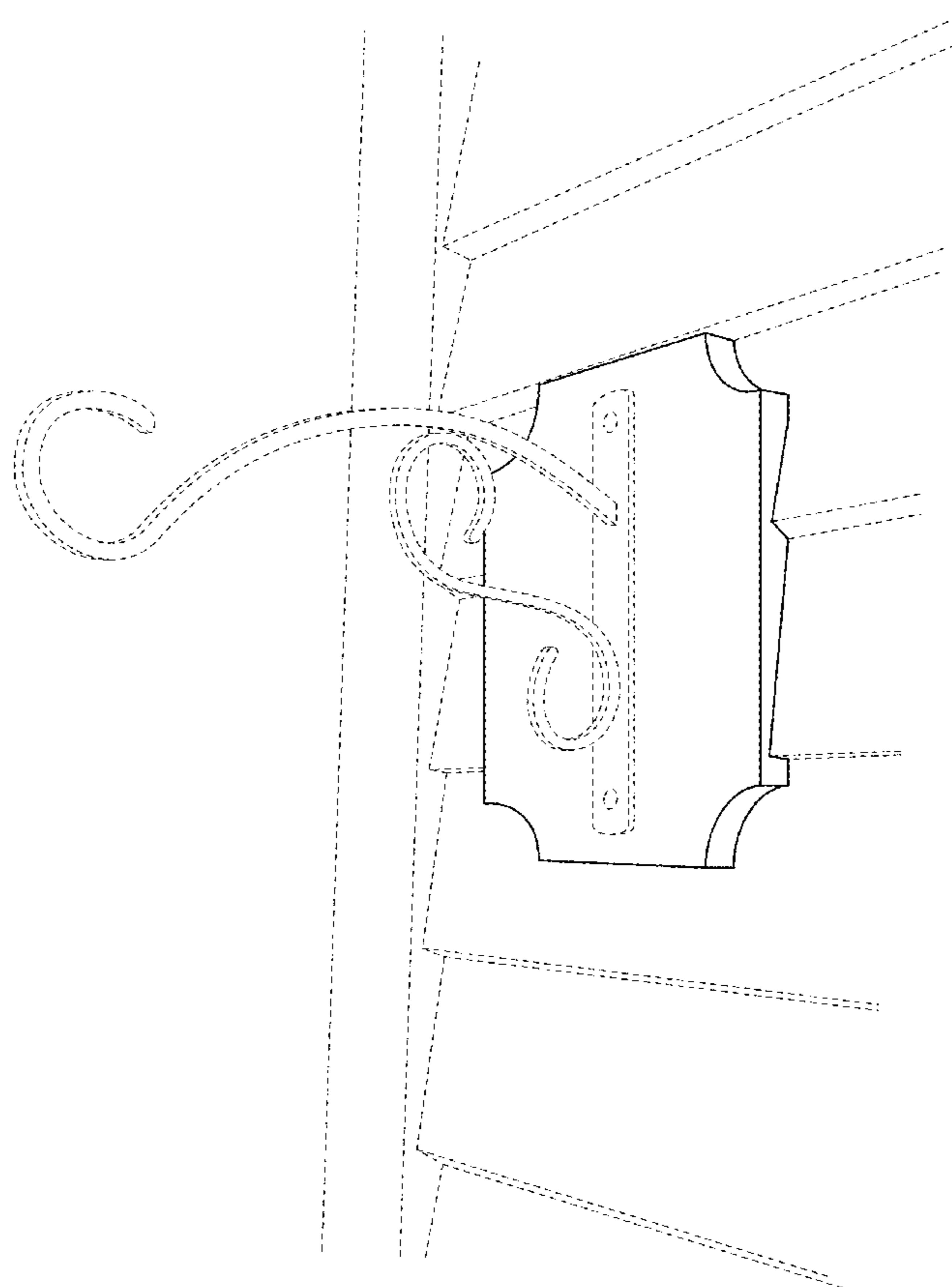
(56) **References Cited**

FIG. 1 is an isometric top view of a vinyl siding fixture mount showing my new design;
FIG. 2 is a front view thereof;
FIG. 3 is a rear view thereof;
FIG. 4 is a left side view thereof;
FIG. 5 is a right side view thereof;
FIG. 6 is a top view thereof;
FIG. 7 is a bottom view thereof; and,
FIG. 8 is an isometric view of a vinyl siding fixture mount showing adjacent broken lines for illustrative purposes only and form no part of the claimed design.

U.S. PATENT DOCUMENTS

4,854,093	A *	8/1989	Kellom	E04F 19/00	52/28
7,260,920	B2 *	8/2007	Weir	E04F 21/1855	248/300
7,401,939	B2 *	7/2008	Haugaard	F21V 21/02	362/147
D603,068	S *	10/2009	Das	D25/139	
7,880,085	B2 *	2/2011	Nurenberg	H02G 3/088	174/66

1 Claim, 6 Drawing Sheets



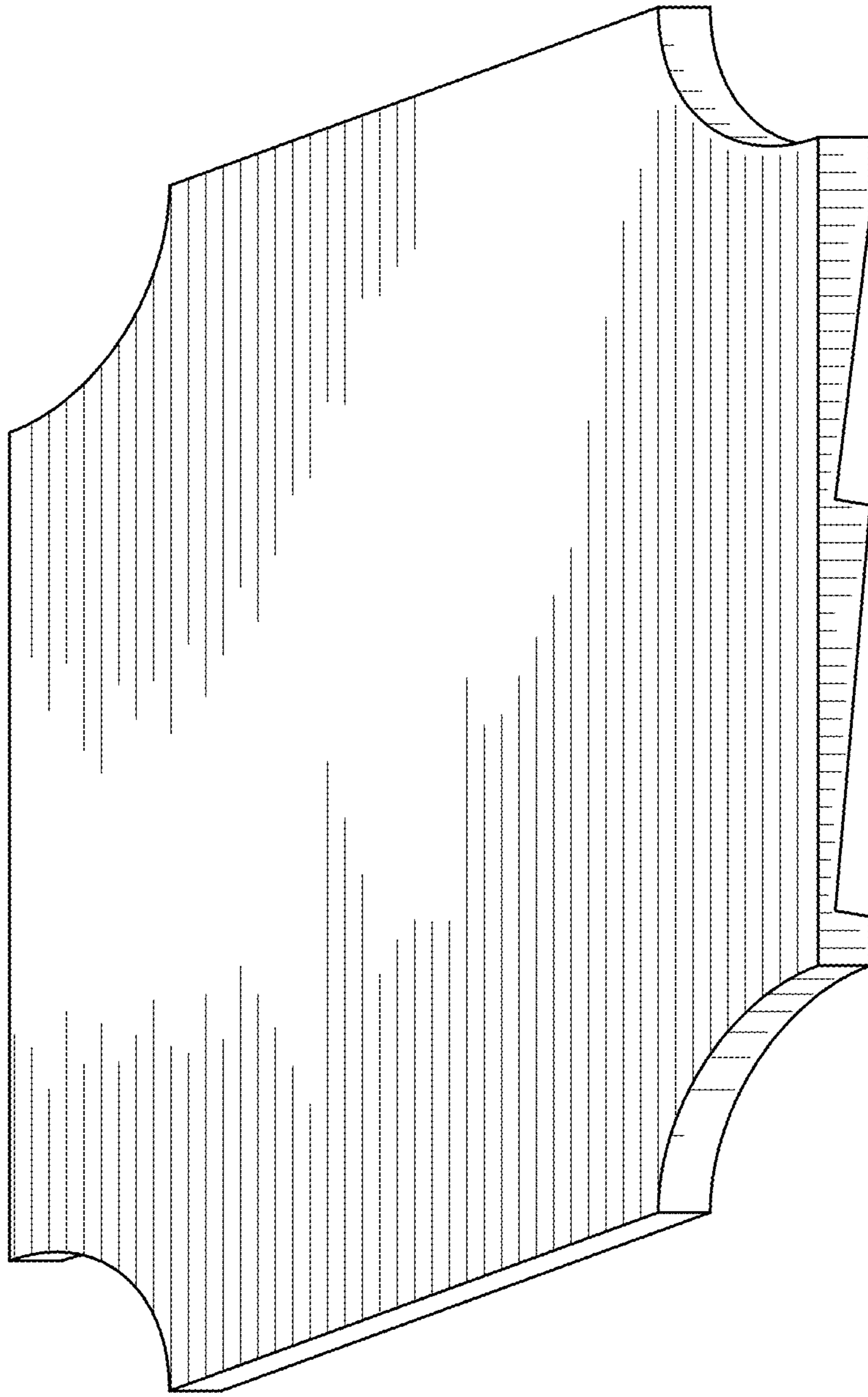


FIG. 1

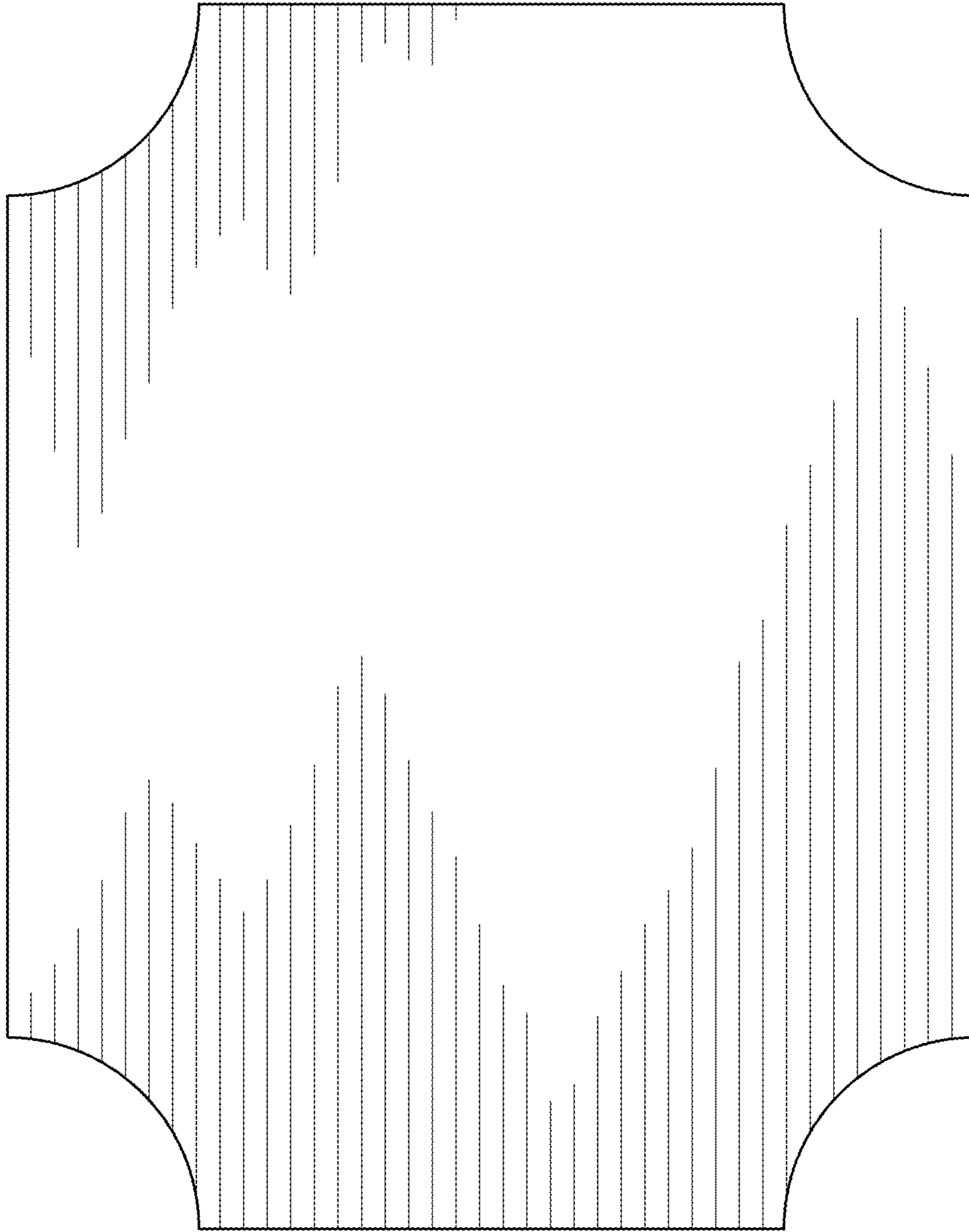


FIG. 2

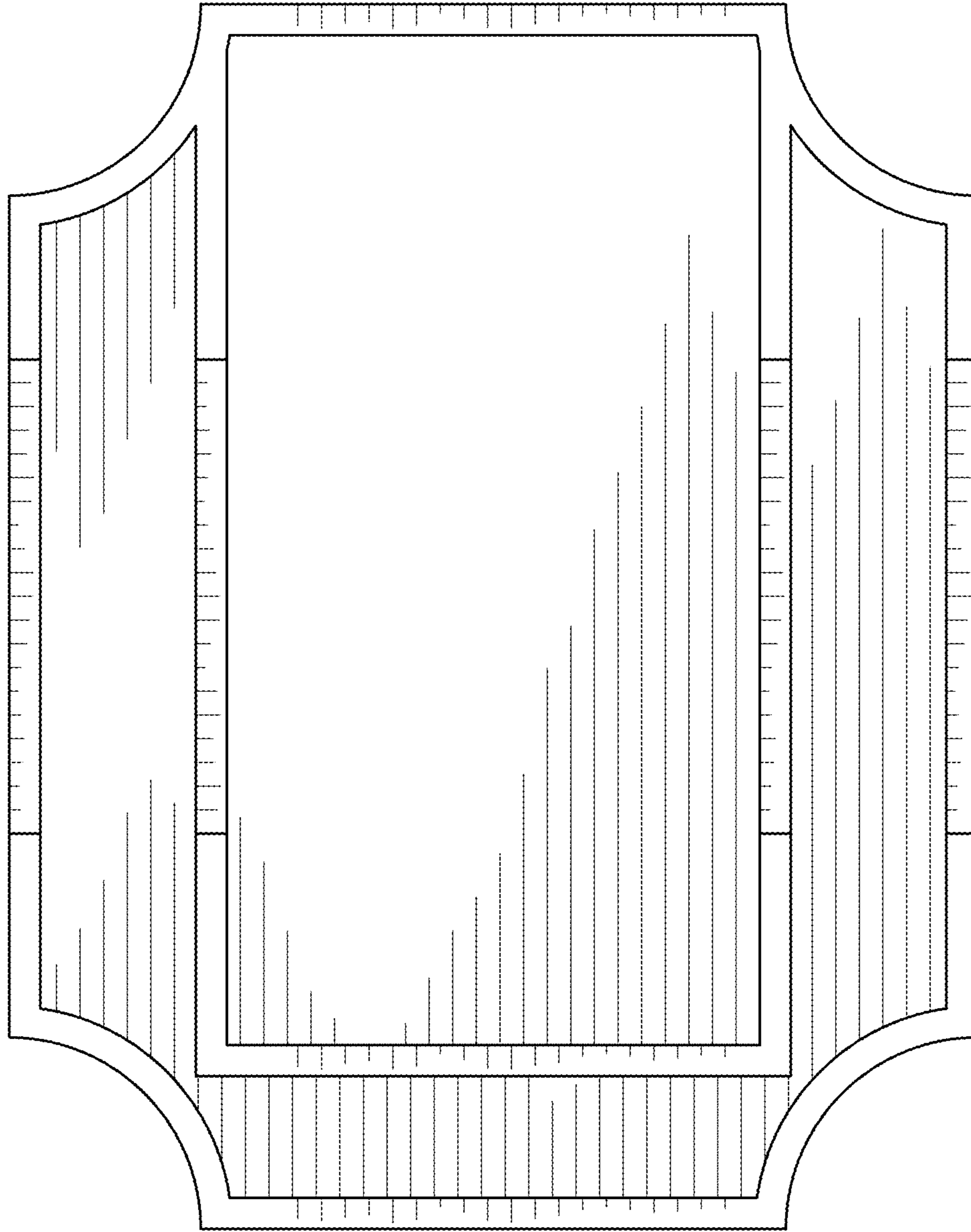


FIG. 3

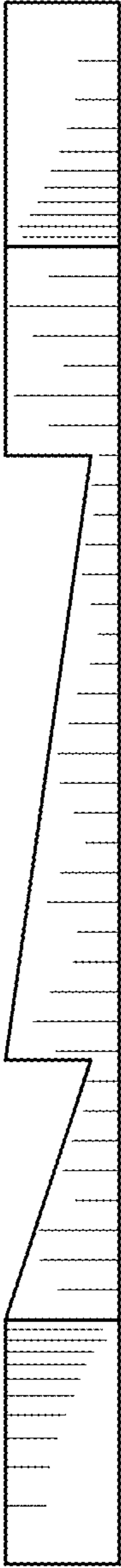


FIG. 4

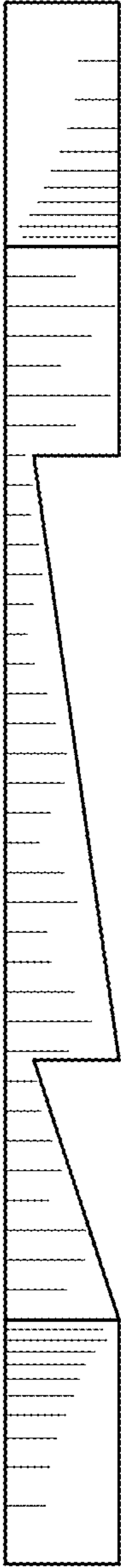


FIG. 5



FIG. 6



FIG. 7

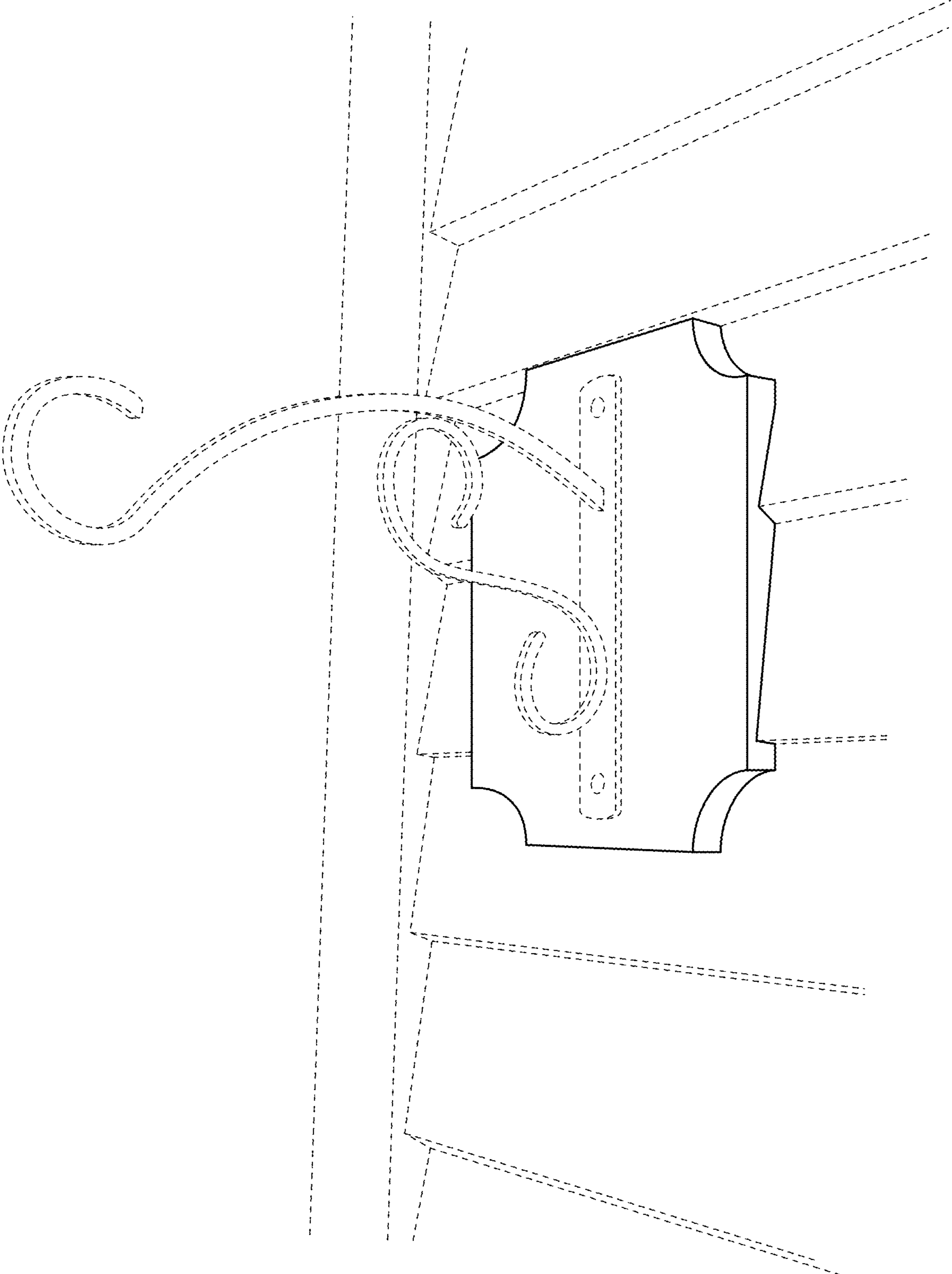


FIG. 8