



US00D893053S

(12) **United States Design Patent** (10) **Patent No.:** **US D893,053 S**
Bott (45) **Date of Patent:** **** Aug. 11, 2020**

(54) **RETAINING WALL BLOCK**

FOREIGN PATENT DOCUMENTS

(71) Applicant: **Allan Block, LLC**, Bloomington, MN (US)

CN 3523252 4/2006
KR 300608104.0000 * 8/2011
KR 300608105.0000 * 8/2011

(72) Inventor: **Timothy A. Bott**, Hilton Head, SC (US)

OTHER PUBLICATIONS

(73) Assignee: **Allan Block, LLC**, Bloomington, MN (US)

Design Ideas Retaining Wall and Patio Wall Projects <https://www.allanblock.com/literature/PDF/DesignIdeasFromAllanBlock2016.pdf> 2016 (Year: 2016).*

(**) Term: **15 Years**

Primary Examiner — Leanne Was-Englehart

(21) Appl. No.: **29/659,998**

(74) *Attorney, Agent, or Firm* — Fredrikson & Byron, P.A.

(22) Filed: **Aug. 14, 2018**

(51) **LOC (12) Cl.** **25-01**

(52) **U.S. Cl.**
USPC **D25/113**

(58) **Field of Classification Search**
USPC D21/484, 486, 499–502, 504;
D25/113–118
CPC E01F 8/0017; E01F 8/023; E01F 15/02;
E04B 2/14; E04B 2/16; E04B 2002/0208;
E04B 2002/0221; E04B 2002/026; E04B
2002/0263; E04H 17/1404; E04C 1/39;
E04C 1/395; E01C 5/00; E01C 5/06;
E01C 5/006; E01C 2201/02; E01C 9/004;
E01C 13/04

See application file for complete search history.

(56) **References Cited**

U.S. PATENT DOCUMENTS

3,855,752 A * 12/1974 Aylon E04B 2/52
52/605
4,909,010 A 3/1990 Gravier
5,484,236 A 1/1996 Gravier
5,540,525 A 7/1996 Miller
5,623,797 A 4/1997 Gravier et al.
5,685,119 A * 11/1997 Zschoppe E04B 2/44
52/570
D403,438 S 12/1998 Risi

(Continued)

(57) **CLAIM**

We claim the ornamental design for a retaining wall block, as shown and described.

DESCRIPTION

FIG. 1 is an upper perspective view of a retaining wall block of applicant's design;

FIG. 2 is a second upper perspective view thereof, the block being rotated 180 degrees from the upper perspective view of FIG. 1;

FIG. 3 a top plan view thereof, the bottom plan view being a mirror image of the top plan view;

FIG. 4 is a first side elevational view thereof, taken from left-to-right of the view in FIG. 3; the second side being opposite the first side;

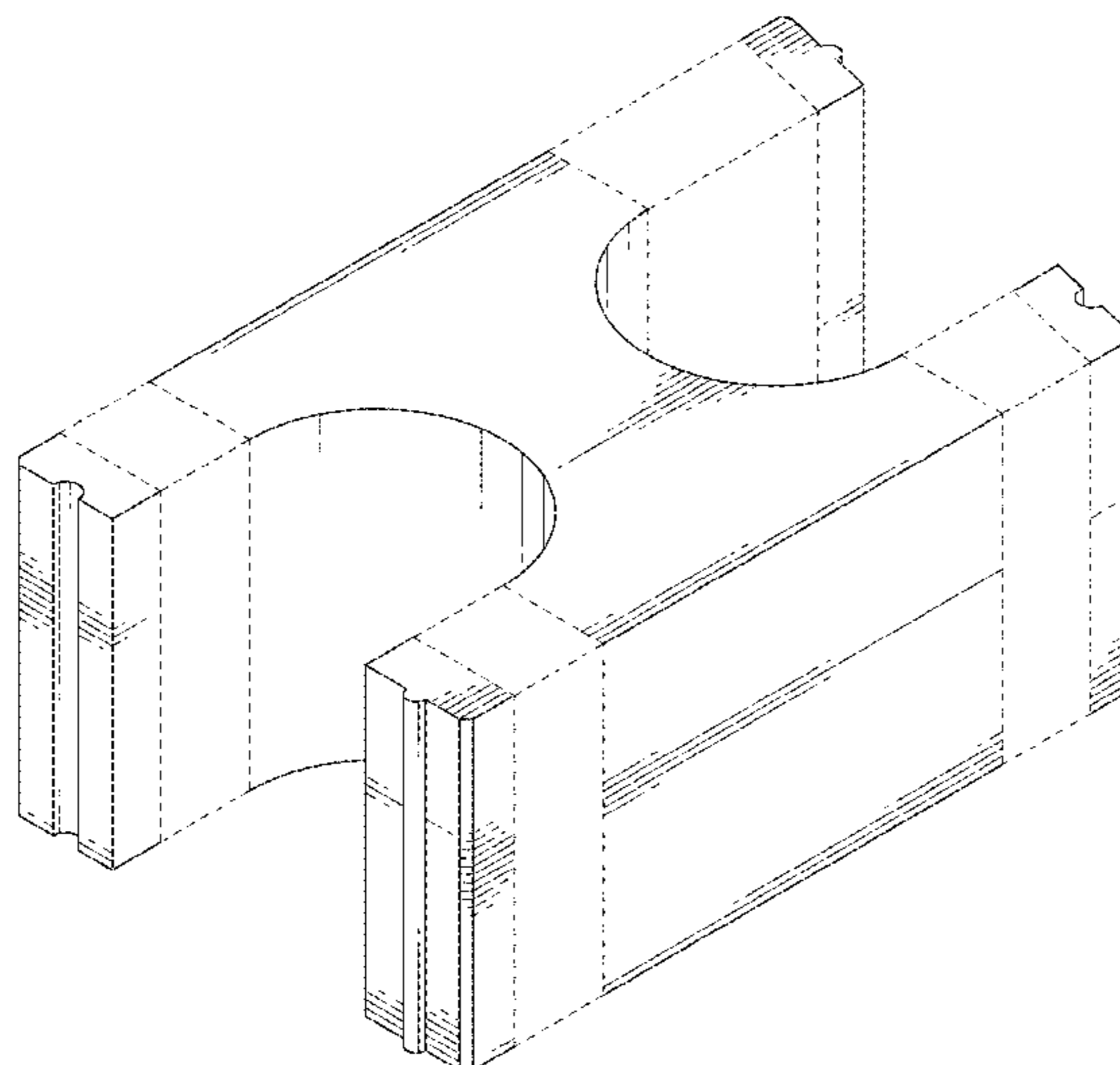
FIG. 5 is a second side elevational view thereof, taken from right-to-left of the view in FIG. 3, the second side being opposite the first side;

FIG. 6 is a first end elevational view thereof, taken from bottom-to-top of the view in FIG. 3; and,

FIG. 7 is a second end elevational view thereof, taken from top-to-bottom of the view in FIG. 3, the second end being opposite the first end.

The broken lines depict portions of the retaining wall block that form no part of the claimed design.

1 Claim, 6 Drawing Sheets



(56)

References Cited

U.S. PATENT DOCUMENTS

D411,315	S	6/1999	Bott	
D416,627	S *	11/1999	McAllister	D25/113
6,082,067	A	7/2000	Bott	
6,322,742	B1	11/2001	Bott	
D459,487	S	6/2002	Bott	
D463,040	S	9/2002	Cerrato	
6,523,317	B1	2/2003	Bott et al.	
6,540,501	B1	4/2003	Bott	
D476,749	S	7/2003	Cerrato	
6,854,236	B2	2/2005	Bott	
D508,739	S *	8/2005	Shillingburg	D25/113
6,948,282	B2	9/2005	Bott	
D512,519	S *	12/2005	Crump	D25/112
7,185,470	B1	3/2007	Link	
D586,924	S *	2/2009	Malone	D25/113
7,524,144	B2	4/2009	Gravier et al.	
7,775,747	B2	8/2010	Bott	
D624,204	S	9/2010	Bott	
D626,662	S	11/2010	Bott	
D655,825	S	3/2012	Fleites	
D667,141	S	9/2012	Bott	
8,708,608	B2	4/2014	Bott	
8,863,465	B2	10/2014	Bott	
9,003,734	B2	4/2015	Bolt	
D864,420	S *	10/2019	von Langsdorff	D25/113
2004/0134154	A1 *	7/2004	Bott	E04C 1/395 52/604
2009/0000234	A1	1/2009	Bolt et al.	

* cited by examiner

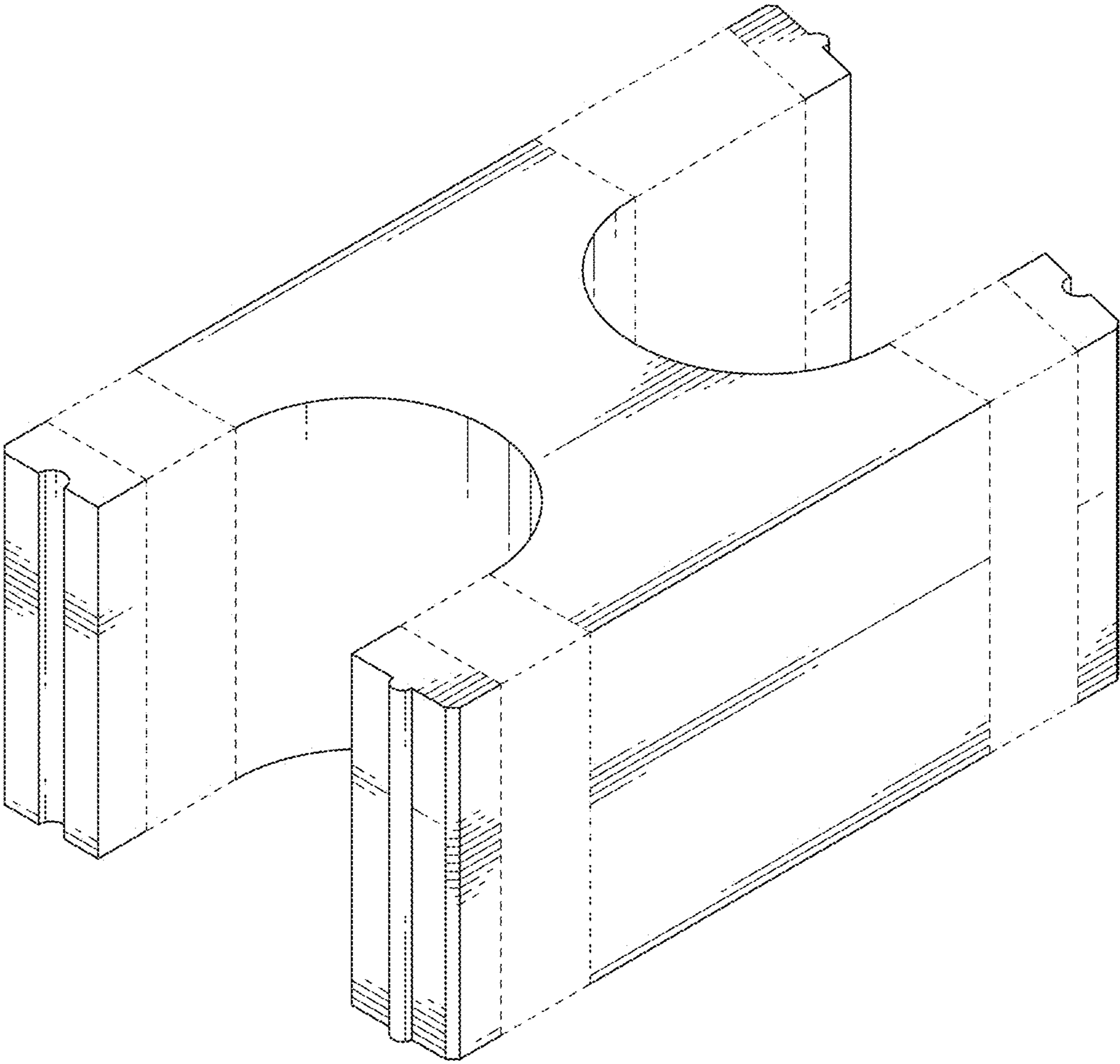


FIG. 1

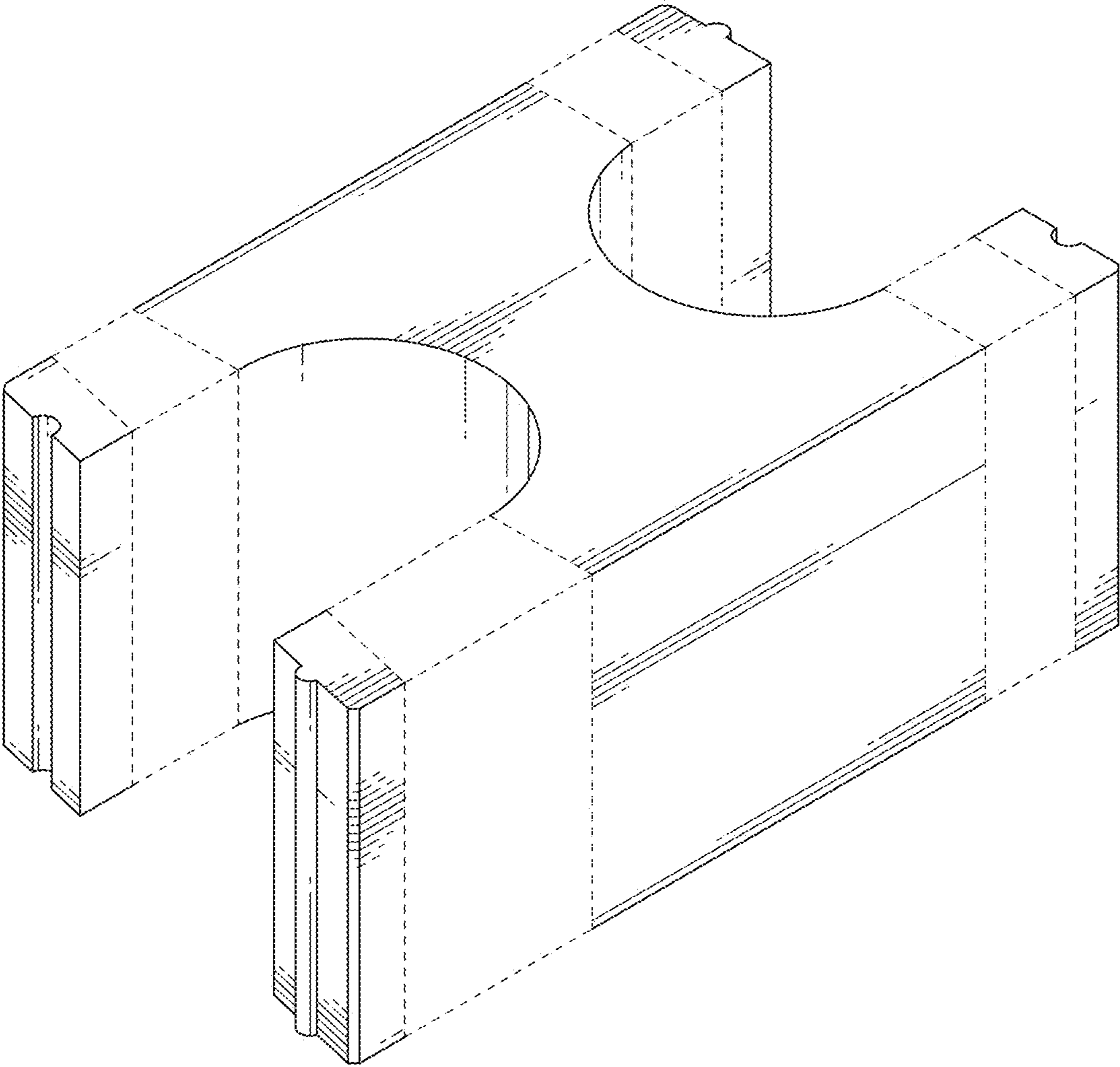


FIG. 2

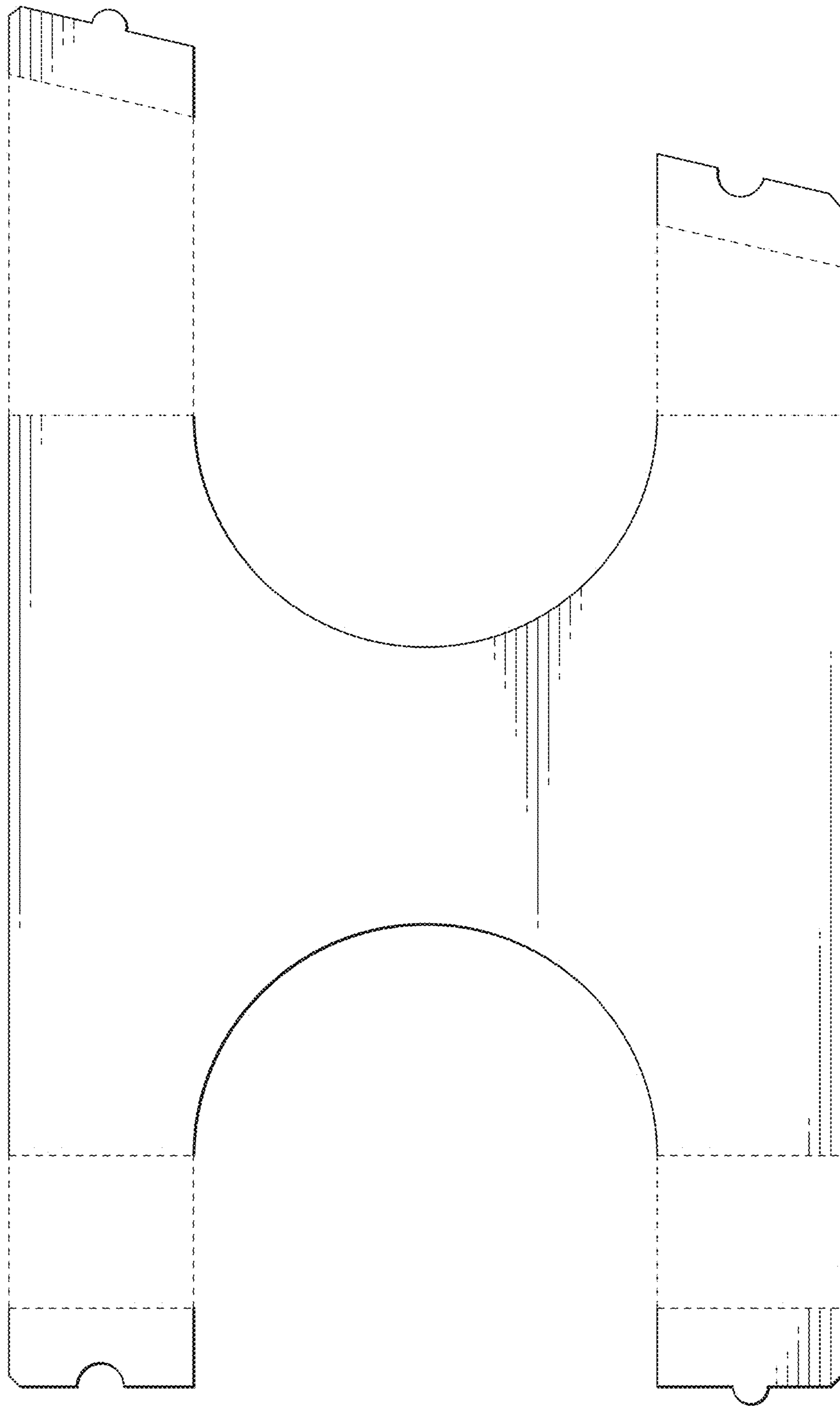


FIG. 3

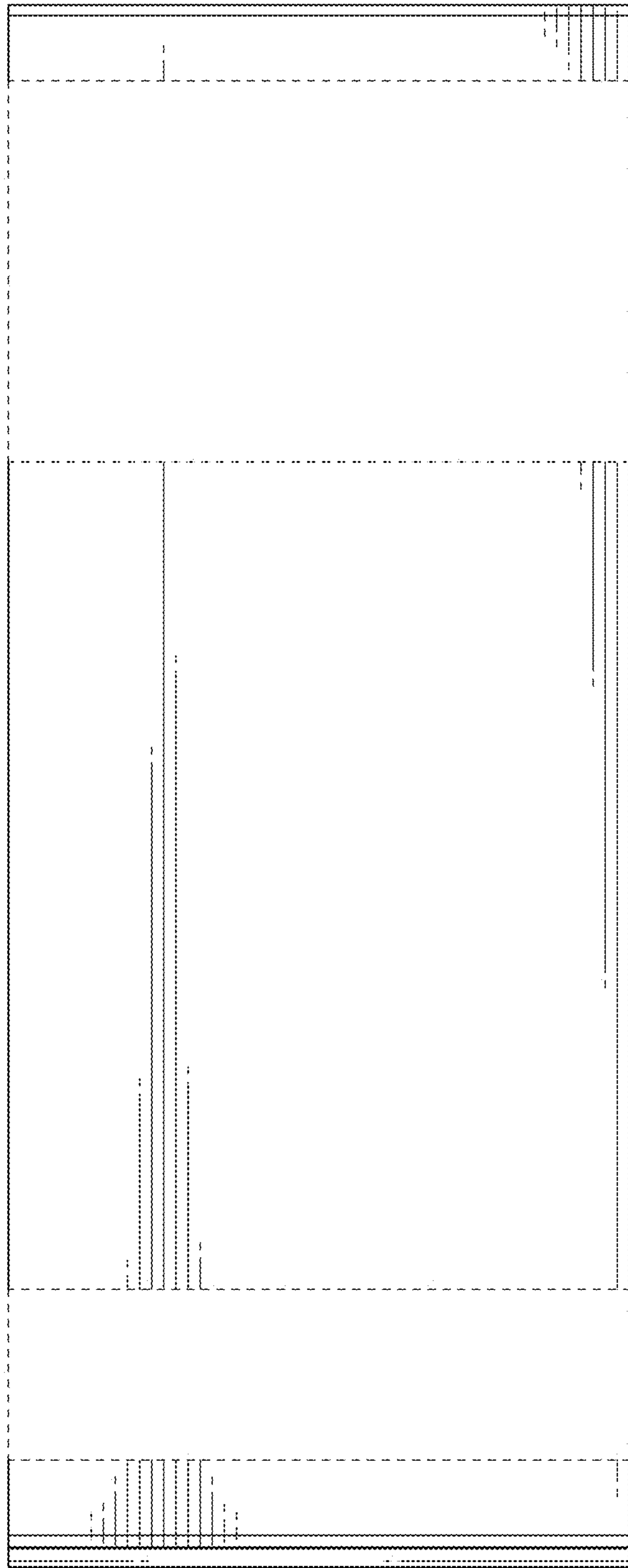


FIG. 4

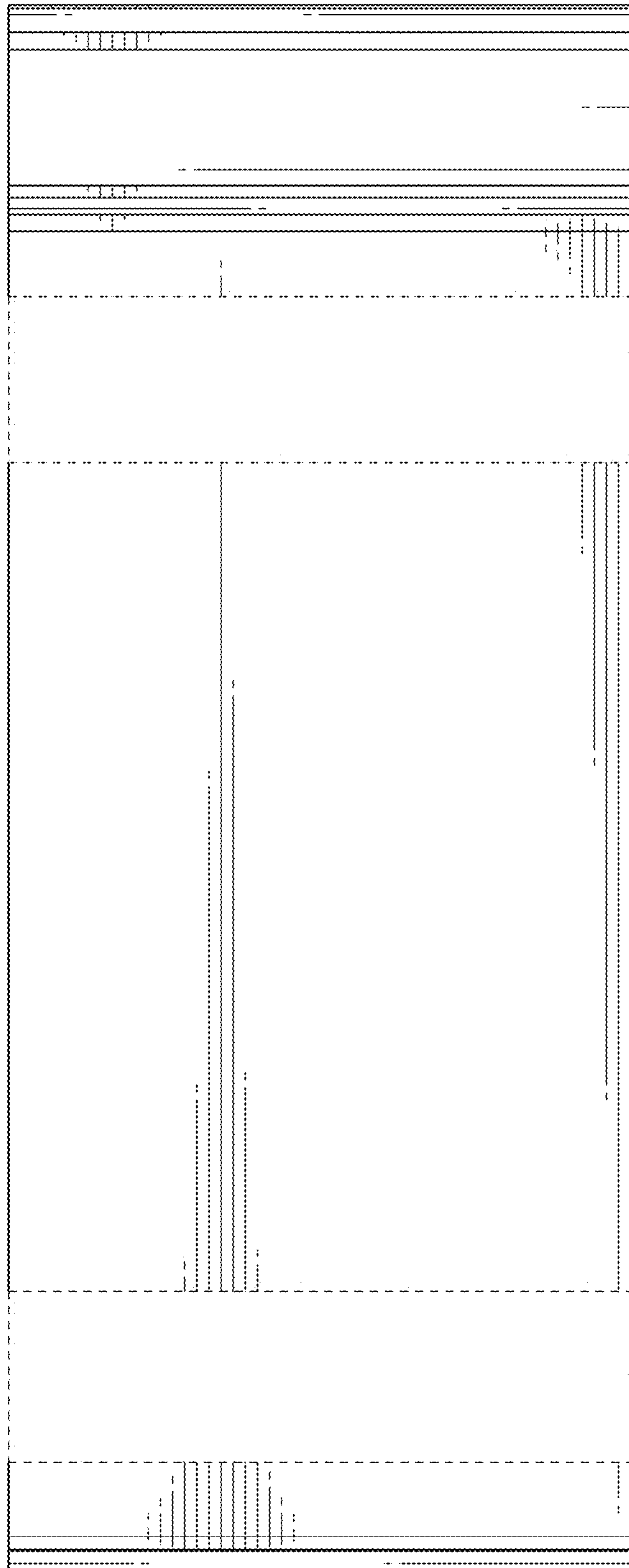


FIG. 5

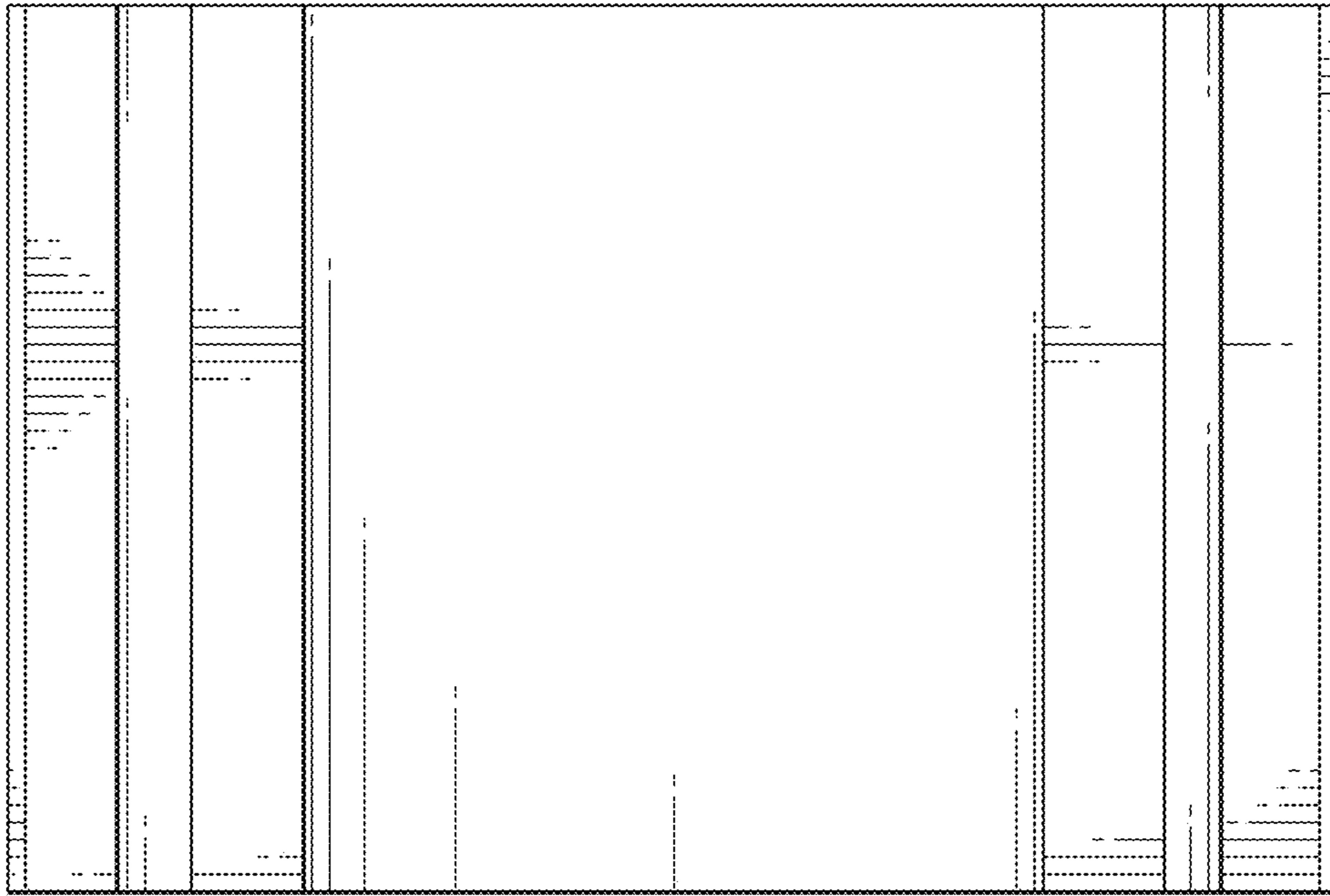


FIG. 6

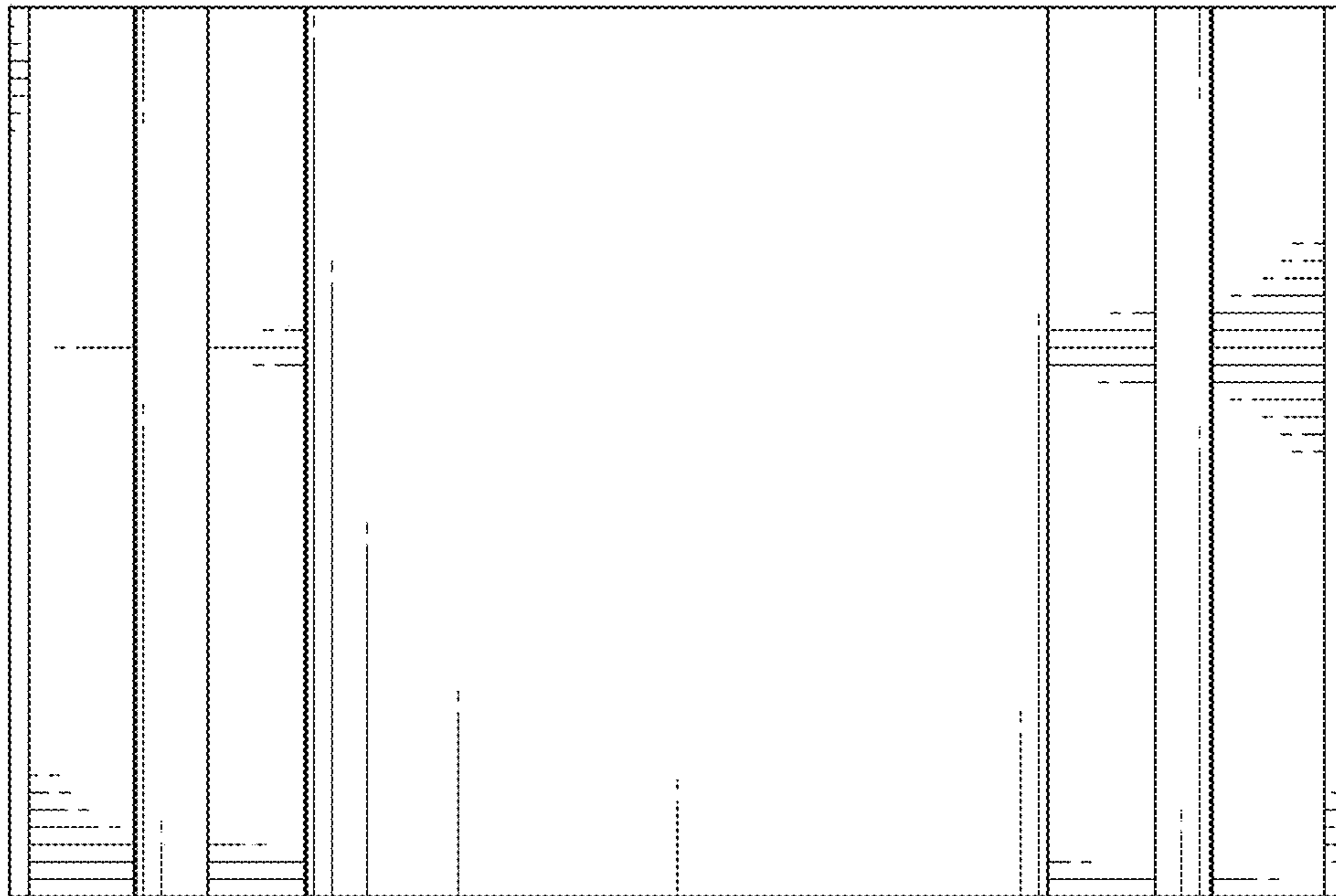


FIG. 7