



US00D893052S

(12) **United States Design Patent**
Hatcher

(10) **Patent No.:** **US D893,052 S**

(45) **Date of Patent:** **** Aug. 11, 2020**

(54) **FOOTBALL GUTTER SPLASH BLOCK**

(71) Applicant: **Cheryl Hatcher**, Jensen Beach, FL (US)

(72) Inventor: **Cheryl Hatcher**, Jensen Beach, FL (US)

(**) Term: **15 Years**

(21) Appl. No.: **29/660,372**

(22) Filed: **Aug. 21, 2018**

(51) **LOC (12) Cl.** **25-01**

(52) **U.S. Cl.**
USPC **D25/112**

(58) **Field of Classification Search**
USPC D21/484-491, 499-504; D25/102-118
CPC E01C 11/223; E01C 11/227; E03F 1/002;
Y10T 137/5762; E04D 2013/0806; E04D
2013/0813; E04D 2013/0873; E04D
13/08

See application file for complete search history.

(56) **References Cited**

U.S. PATENT DOCUMENTS

4,693,633	A *	9/1987	Giordano	E04D 13/08 405/119
D796,065	S *	8/2017	Hatcher	D25/112
D833,036	S *	11/2018	Elliott	D25/112
D866,003	S *	11/2019	Webber	D25/112
2009/0003933	A1 *	1/2009	Anderson	E01C 11/227 405/119

OTHER PUBLICATIONS

Sportz Football Fan Home Gutter Spash Block by Cheryl Hatcher
Kickstarter <https://www.kickstarter.com/projects/1313397999/>

sportz-football-fan-home-gutter-spash-block/description Apr. 24, 2019 (Year: 2019).*

* cited by examiner

Primary Examiner — Leanne Was-Englehart

(74) *Attorney, Agent, or Firm* — McHale & Slavin, P.A.

(57) **CLAIM**

The ornamental design for a football gutter splash block, as shown and described.

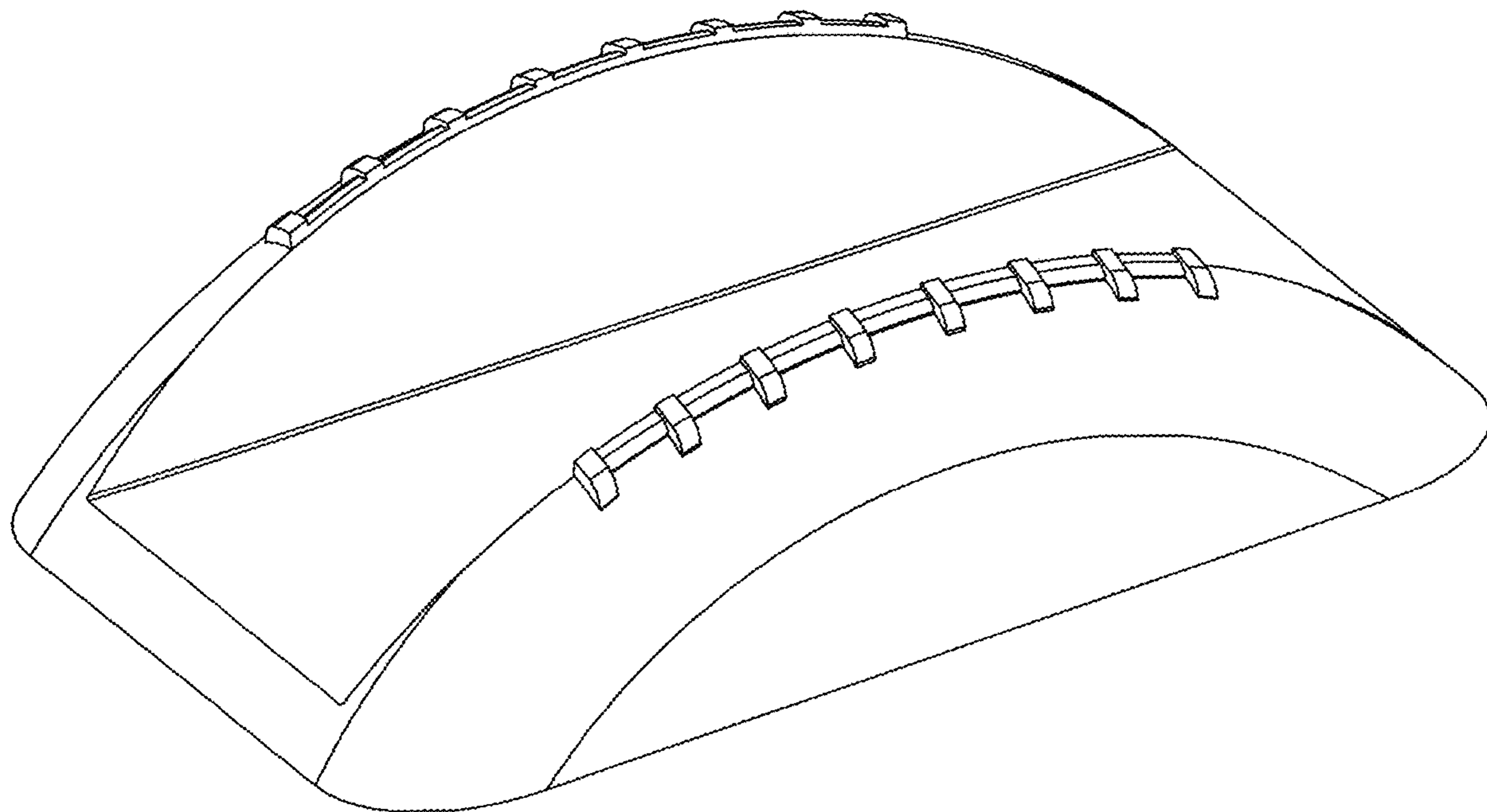
DESCRIPTION

FIG. 1 is a perspective view of a football gutter splash block of the present invention;
FIG. 2 is an alternative perspective view thereof;
FIG. 3 is a right side view thereof;
FIG. 4 is a left side view thereof;
FIG. 5 is a top view thereof;
FIG. 6 is a bottom view thereof;
FIG. 7 is a front view thereof;
FIG. 8 is a back view thereof; and,
FIG. 9 is an environmental view showing the football gutter splash block interacting with a portion of a gutter down-spout.

The broken lines shown in the drawings illustrate portions of the football gutter splash block and form no part of the claimed design.

The dash-dot lines shown in the figures are for the purpose of illustrating environment only and form no part of the claimed design.

1 Claim, 9 Drawing Sheets



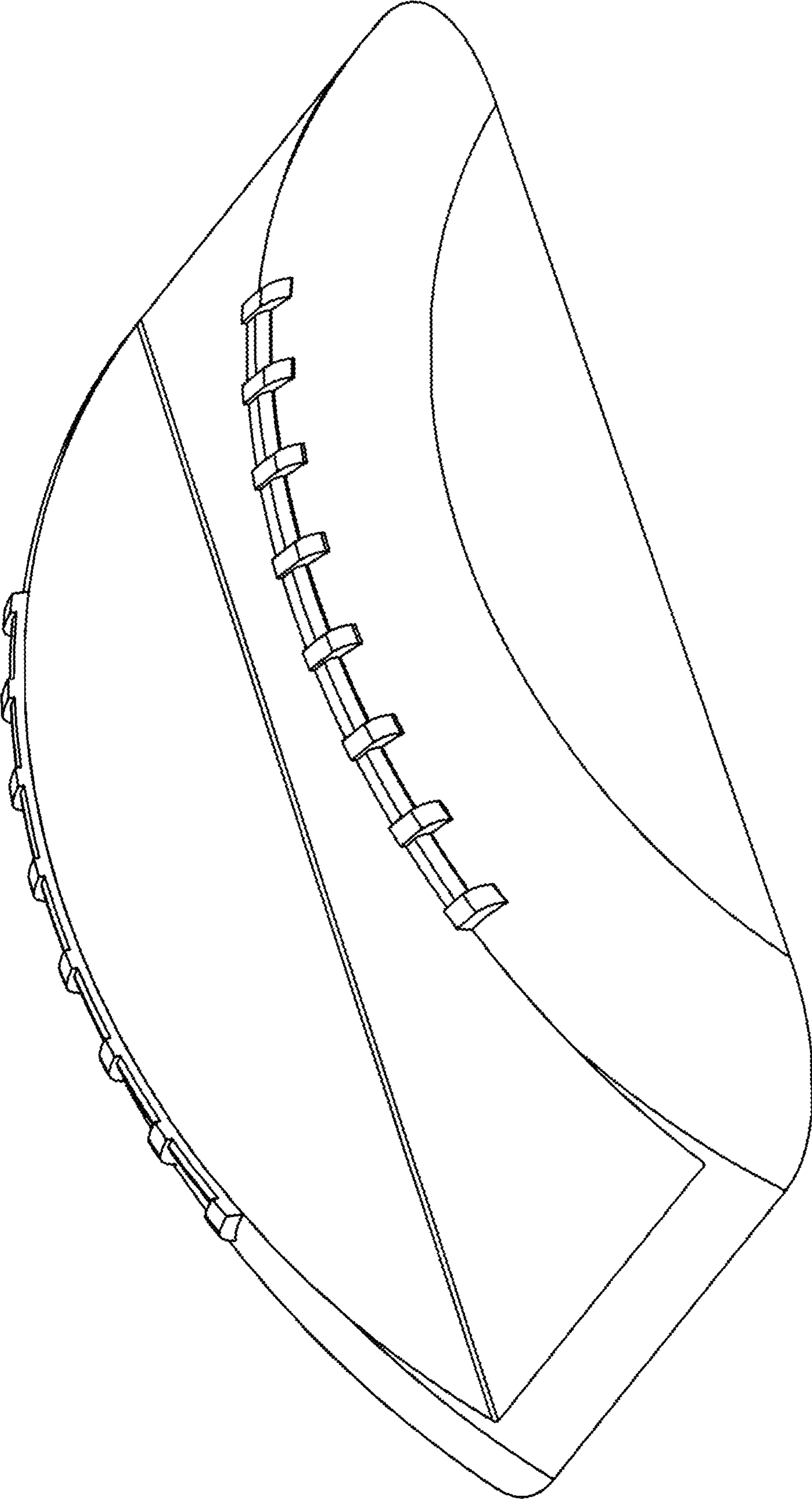


FIG. 1

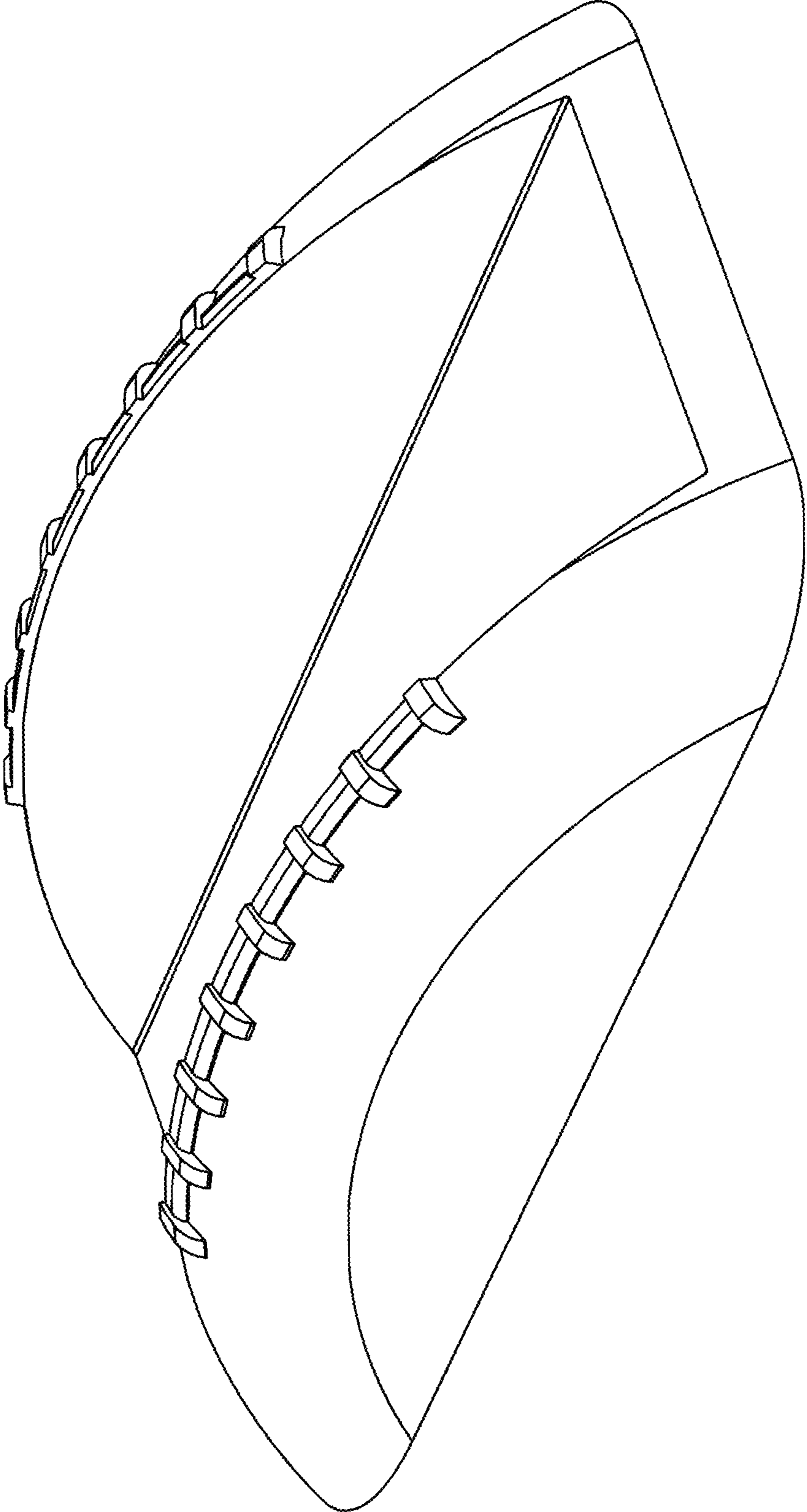


FIG. 2

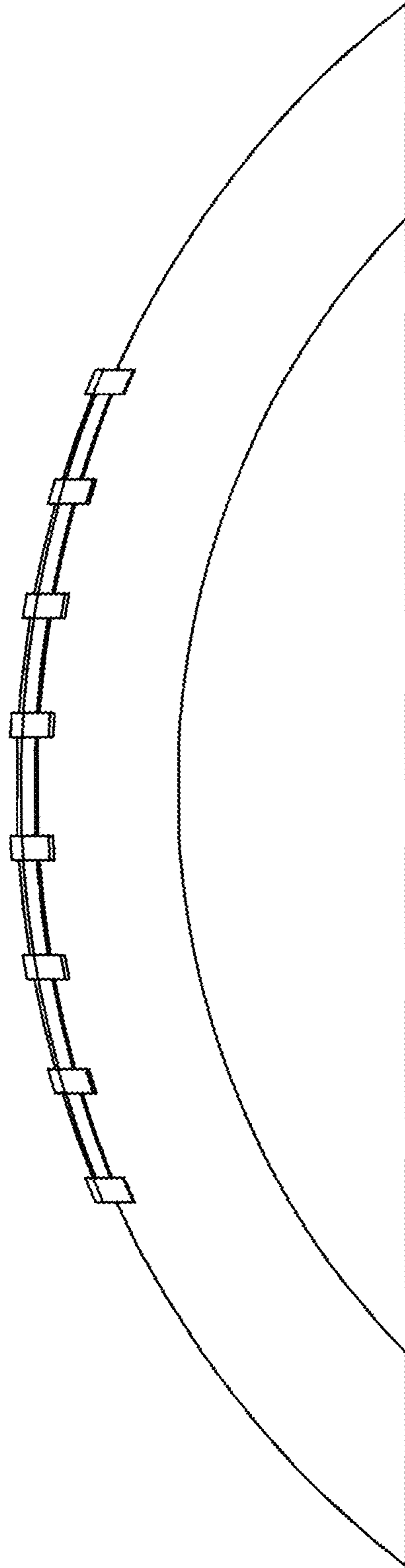


FIG. 3

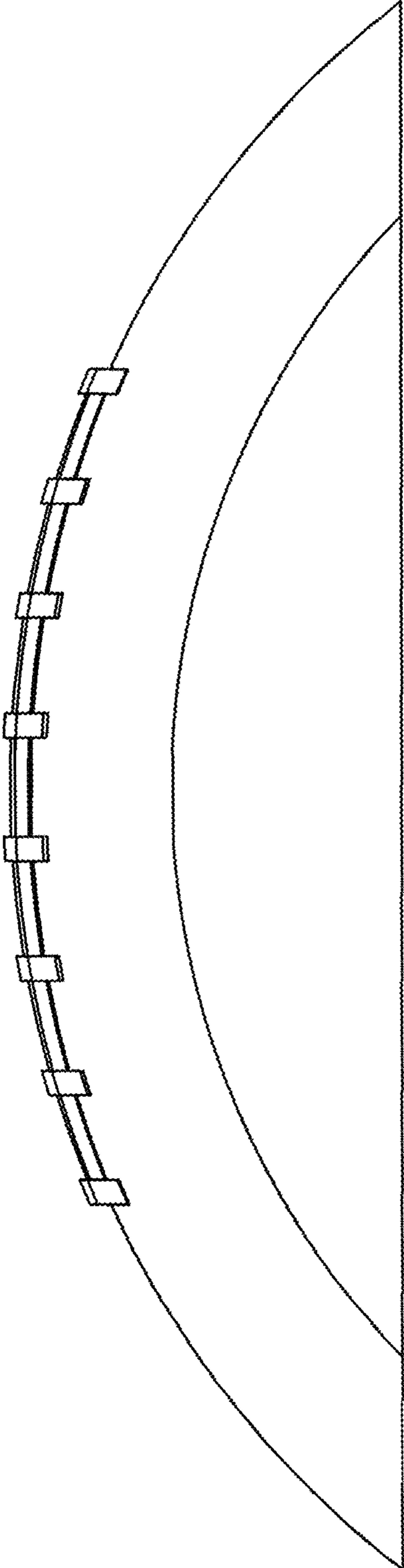


FIG. 4

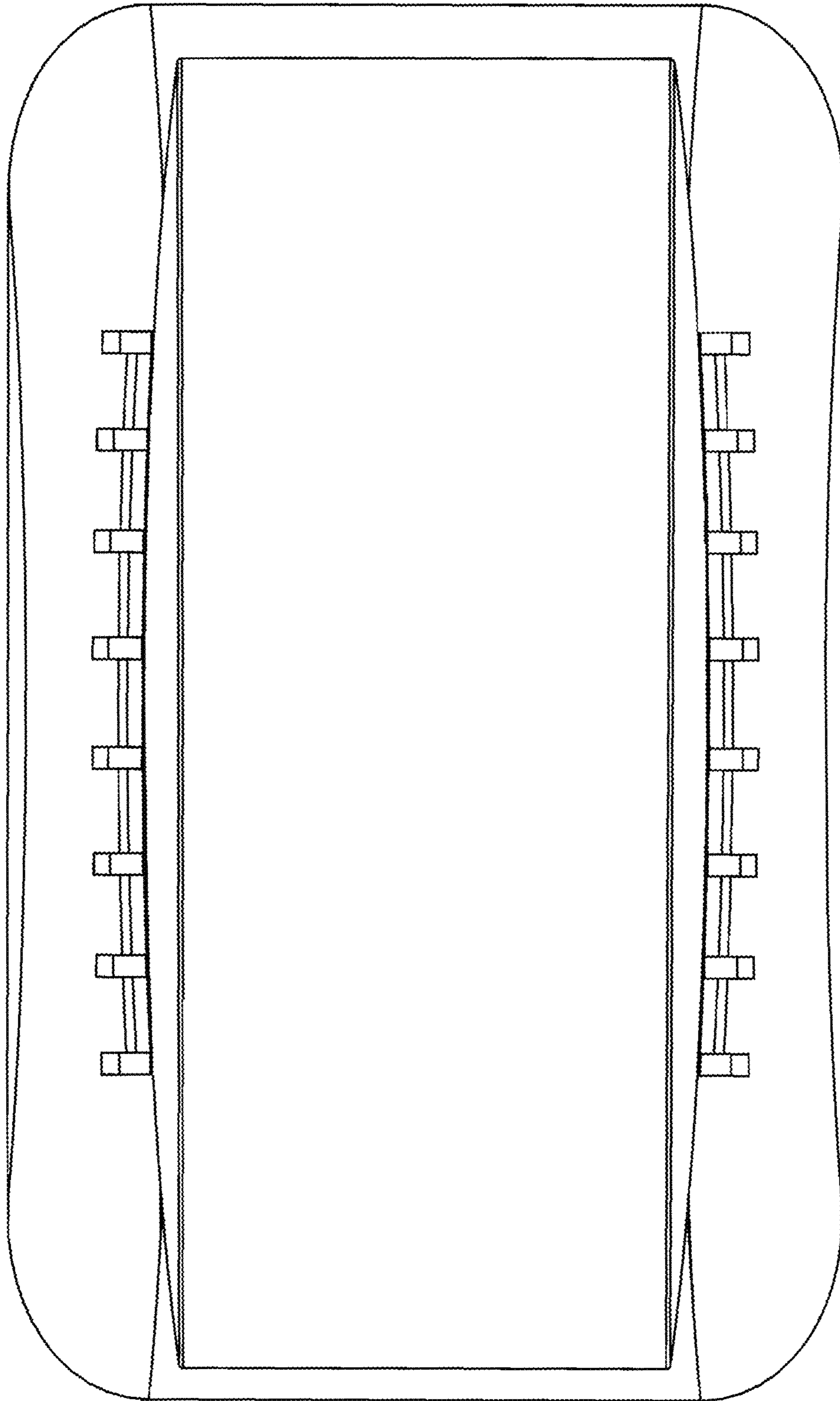


FIG. 5

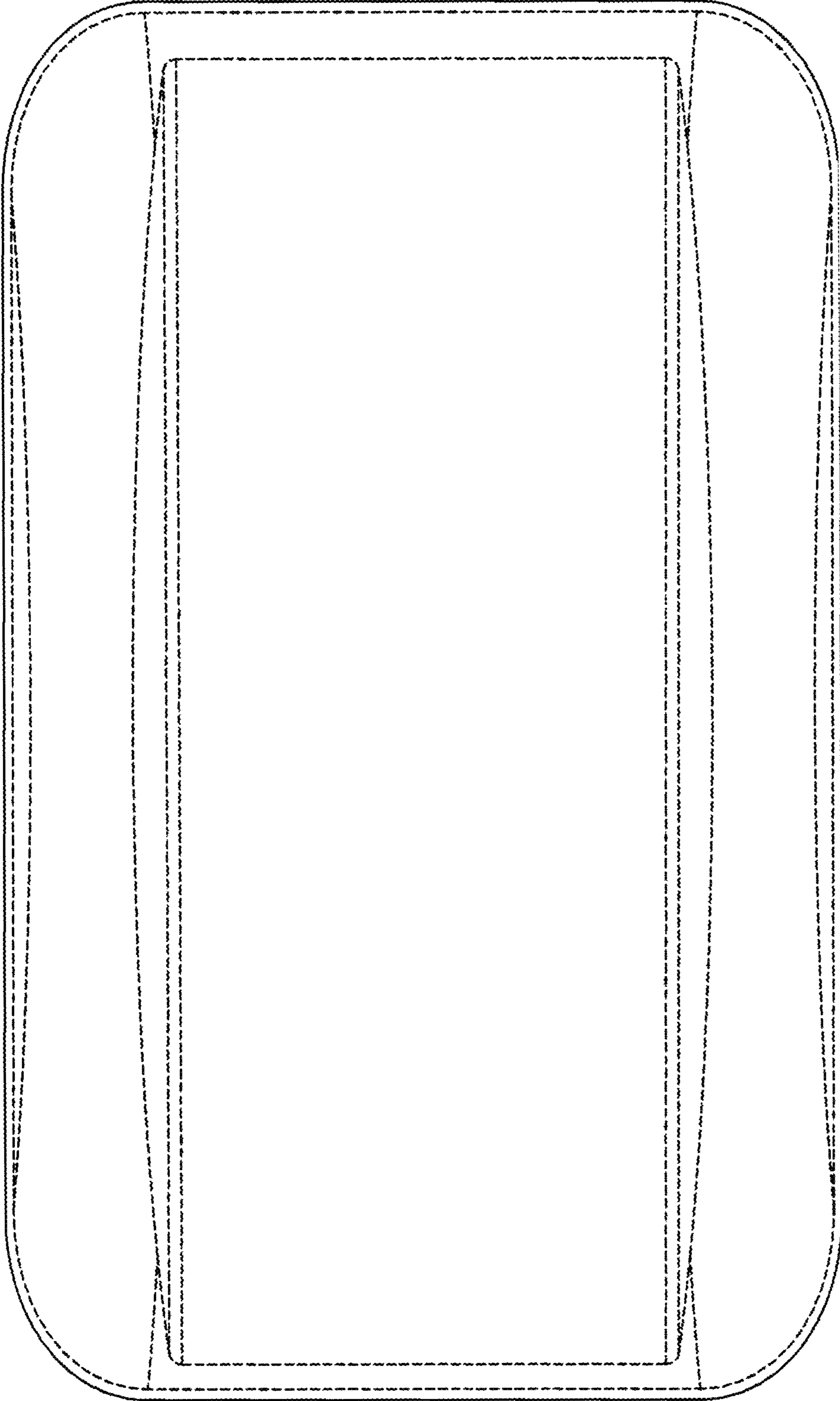


FIG. 6

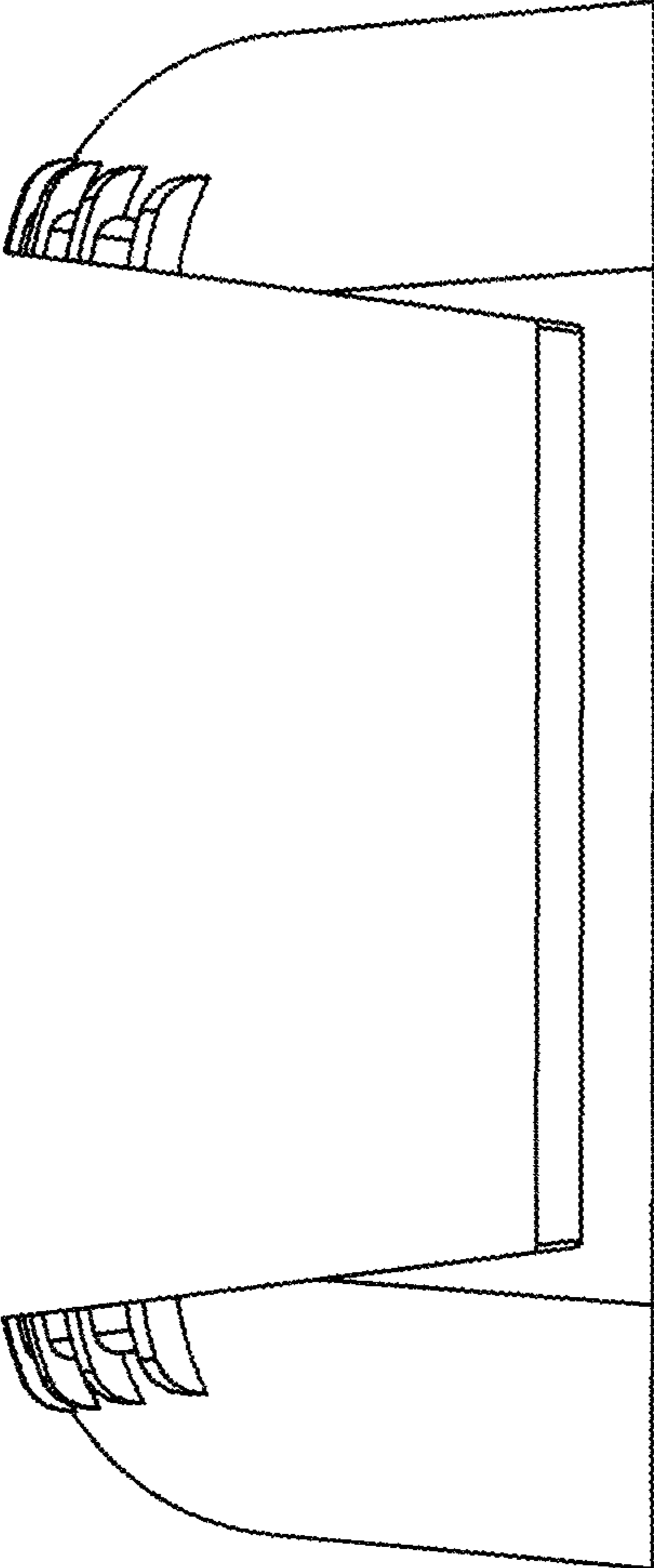


FIG. 7

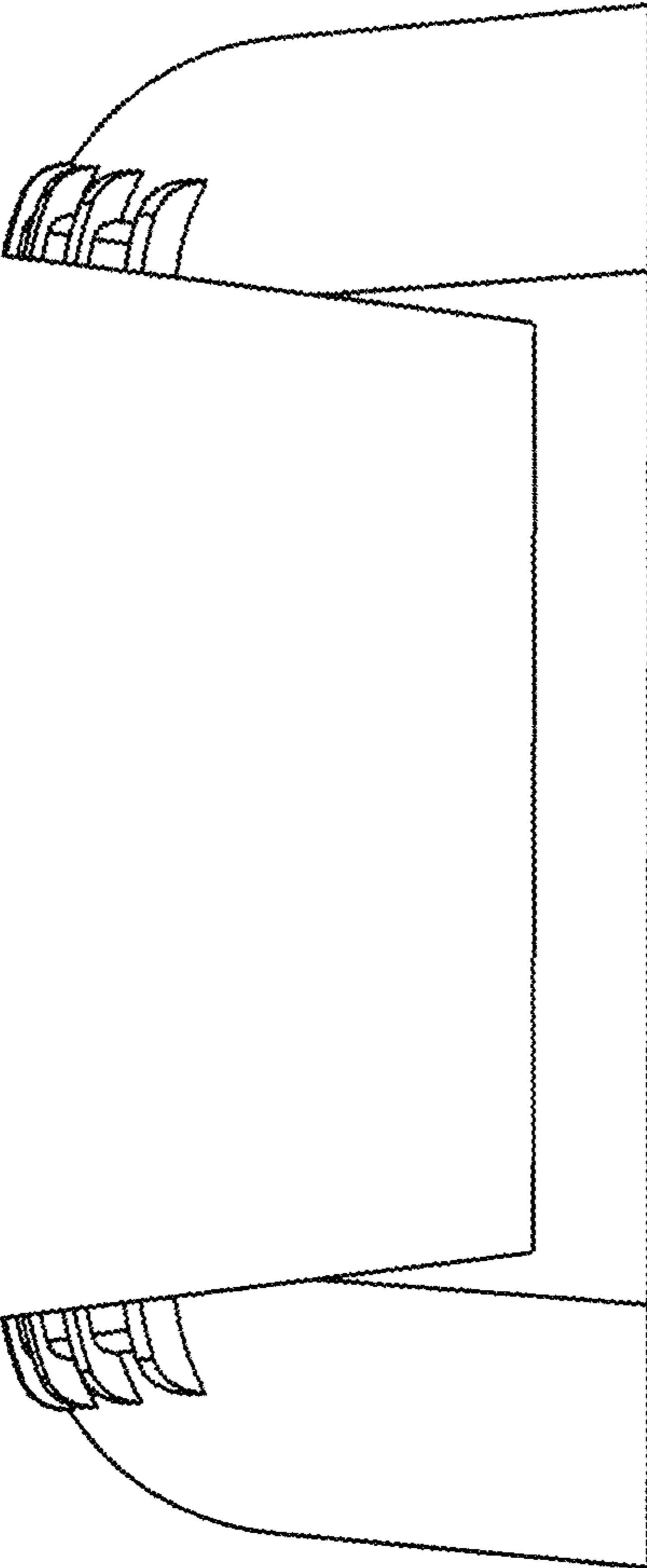


FIG. 8

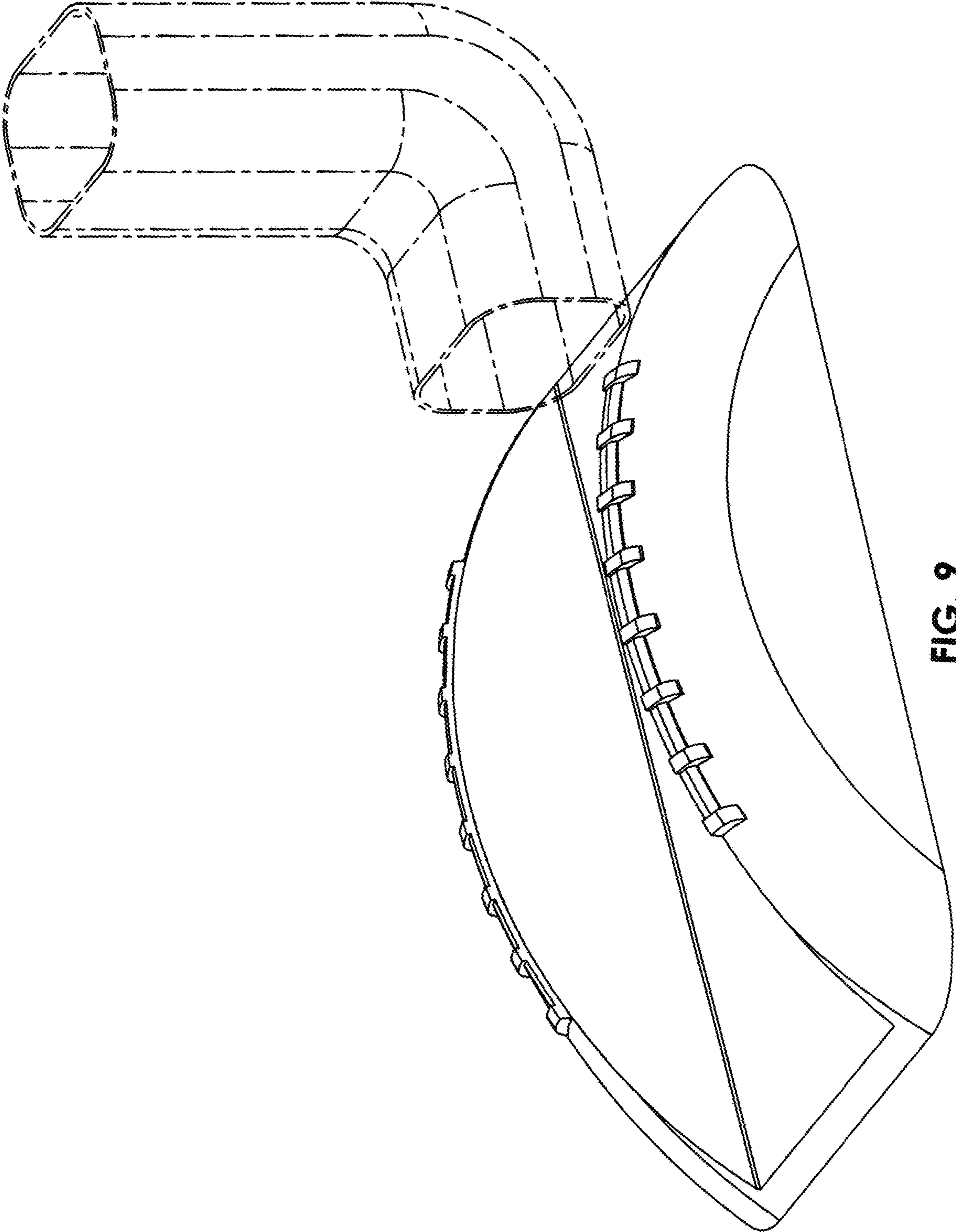


FIG. 9