



US00D893051S

(12) **United States Design Patent** (10) **Patent No.:** **US D893,051 S**  
**Baltz, Jr. et al.** (45) **Date of Patent:** **\*\* Aug. 11, 2020**

(54) **BELOW TOP OF WALL VENTILATION SCREED DEVICE**

(71) Applicant: **Alabama Metal Industries Corporation**, Birmingham, AL (US)

(72) Inventors: **Gary George Baltz, Jr.**, Mountain Brook, AL (US); **Frederic C. Mayer, Jr.**, Hoover, AL (US)

(73) Assignee: **ALABAMA METAL INDUSTRIES CORPORATION**

(\*\*) Term: **15 Years**

(21) Appl. No.: **29/671,360**

(22) Filed: **Nov. 27, 2018**

(51) **LOC (12) Cl.** ..... **25-01**

(52) **U.S. Cl.**  
USPC ..... **D25/102**

(58) **Field of Classification Search**  
USPC ..... D25/102, 119–123, 136, 137, 164, 199;  
D23/259, 267, 268  
CPC ..... E04F 19/02; E04F 19/04; E04F 2019/044;  
E04F 2019/0445; E04F 13/00; E04F  
13/007; E04B 1/70; E04B 1/7038; E04B  
1/7069; E04B 1/7076; E04D 13/00; E04D  
13/0445; E04D 13/0459; E04D 13/0481  
See application file for complete search history.

(56) **References Cited**

U.S. PATENT DOCUMENTS

D151,022	S	*	9/1948	Weber et al.	.....	D25/164
D164,420	S	*	9/1951	Hodgman	.....	D25/164
D164,421	S	*	9/1951	Hodgman	.....	D25/164
D271,713	S	*	12/1983	Hicks	.....	D25/164
D345,268	S	*	3/1994	Pate	.....	D25/119
D352,362	S	*	11/1994	Anderson	.....	D25/164
5,392,579	A	*	2/1995	Champagne	.....	E04F 13/0864 D25/199

D364,233	S	*	11/1995	Caley	.....	D25/119
5,579,617	A	*	12/1996	Schiedegger	.....	E04F 19/02 52/287.1
D393,164	S	*	4/1998	Russell	.....	D25/119
5,836,135	A	*	11/1998	Hagan	.....	E04F 19/02 52/836
D454,962	S	*	3/2002	Grace	.....	D25/119
D462,787	S	*	9/2002	Scalzott	.....	D25/119
D471,991	S	*	3/2003	Maylon	.....	D25/119
6,574,936	B1	*	6/2003	Anderson, Sr.	.....	B44C 1/28 52/100
D477,420	S	*	7/2003	Butcher	.....	D25/119
D481,804	S	*	11/2003	Pelfrey	.....	D25/119

(Continued)

Primary Examiner — Llorelys Martinez

(74) *Attorney, Agent, or Firm* — Jennifer Meredith, Esq.;  
Lippes Mathias Wexler Friedman LLP

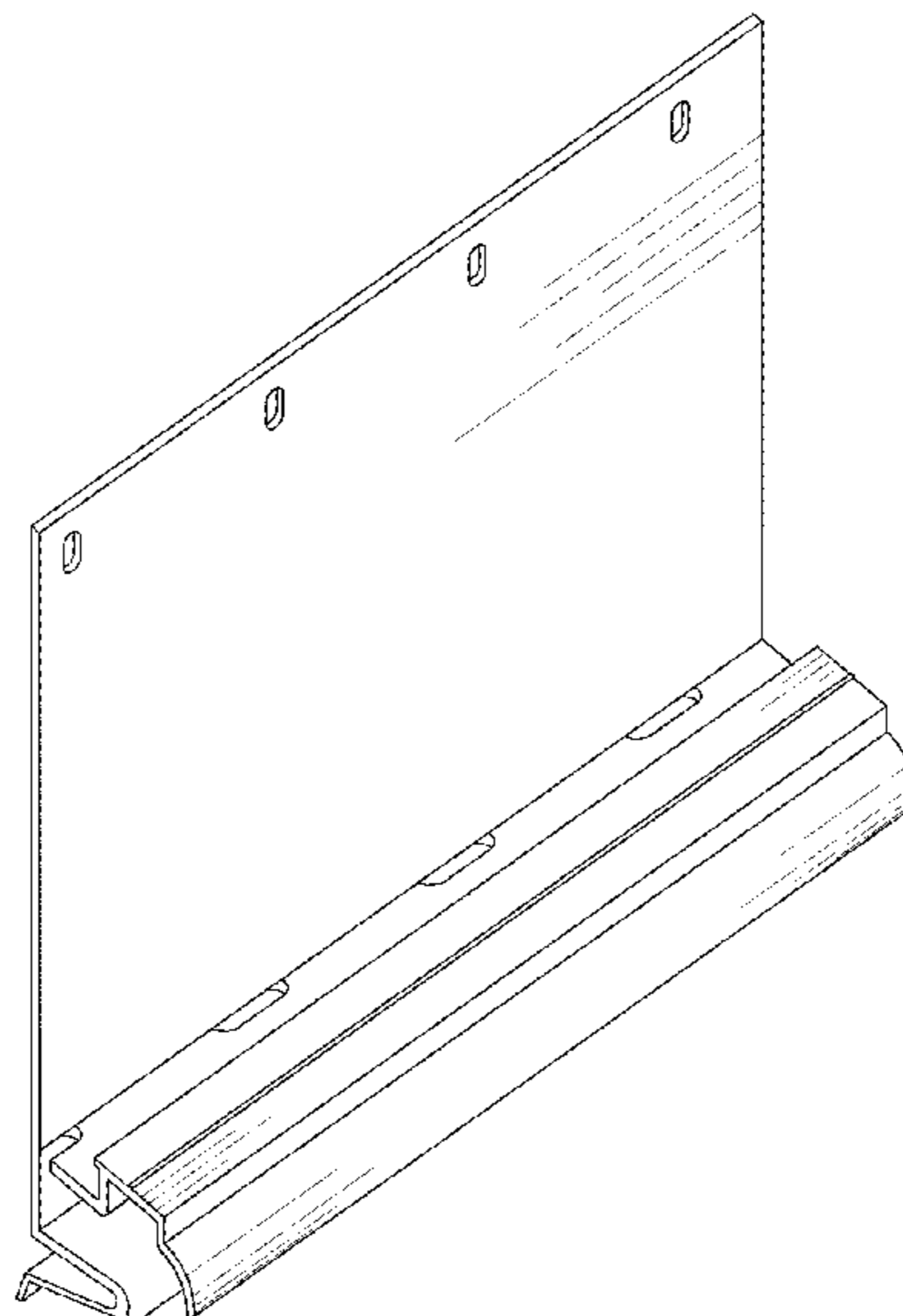
(57) **CLAIM**

The ornamental design for a below top of wall ventilation screed device, as shown and described.

**DESCRIPTION**

FIG. 1 is an enlarged top, front perspective view of a below top of wall ventilation screed device showing our new design;  
FIG. 2 is a front view of the below top of wall ventilation screed device;  
FIG. 3 is a back view of the below top of wall ventilation screed device;  
FIG. 4 is an enlarged left side view of the below top of wall ventilation screed device;  
FIG. 5 is an enlarged right side view of the below top of wall ventilation screed device;  
FIG. 6 is a top side view of the below top of wall ventilation screed device;  
FIG. 7 is a bottom side view of the below top of wall ventilation screed device; and,  
FIG. 8 is a top, back perspective view of the below top of wall ventilation screed device.

**1 Claim, 5 Drawing Sheets**



(56)

## References Cited

## U.S. PATENT DOCUMENTS

D551,781 S \* 9/2007 Abdullah ..... D25/123  
7,634,883 B1 \* 12/2009 Larson ..... E04F 13/06  
52/393  
D624,212 S \* 9/2010 Sawyer ..... D25/136  
D700,717 S \* 3/2014 Campacci ..... D25/119  
D703,306 S \* 4/2014 Little ..... D25/136  
D703,307 S \* 4/2014 Little ..... D25/136  
D787,091 S \* 5/2017 Singh ..... D25/119  
D792,609 S \* 7/2017 Smith ..... D25/119  
D815,757 S \* 4/2018 Braun ..... E04F 19/064  
D25/119  
10,196,812 B1 \* 2/2019 Duffy ..... E04F 13/007  
2008/0104918 A1 \* 5/2008 Gleeson ..... E04F 19/02  
52/489.1  
2008/0148672 A1 \* 6/2008 Monteer ..... E04F 13/007  
52/533  
2009/0092790 A1 \* 4/2009 Carnes ..... E04F 19/04  
428/156  
2009/0183453 A1 \* 7/2009 Koessler ..... E04F 13/007  
52/302.3  
2012/0174495 A1 \* 7/2012 Nolan ..... E04F 19/02  
52/58  
2017/0254091 A1 \* 9/2017 Friel ..... E04F 19/02  
2019/0161960 A1 \* 5/2019 Baltz, Jr. .... E04B 1/7076  
2019/0186147 A1 \* 6/2019 Baltz, Jr. .... E04F 19/02  
2019/0194954 A1 \* 6/2019 Baltz, Jr. .... E04F 19/04  
2019/0292791 A1 \* 9/2019 Friel ..... E04F 19/02  
2020/0063432 A1 \* 2/2020 Baltz, Jr. .... E04B 1/7076  
2020/0063446 A1 \* 2/2020 Baltz, Jr. .... E04B 1/7076

\* cited by examiner

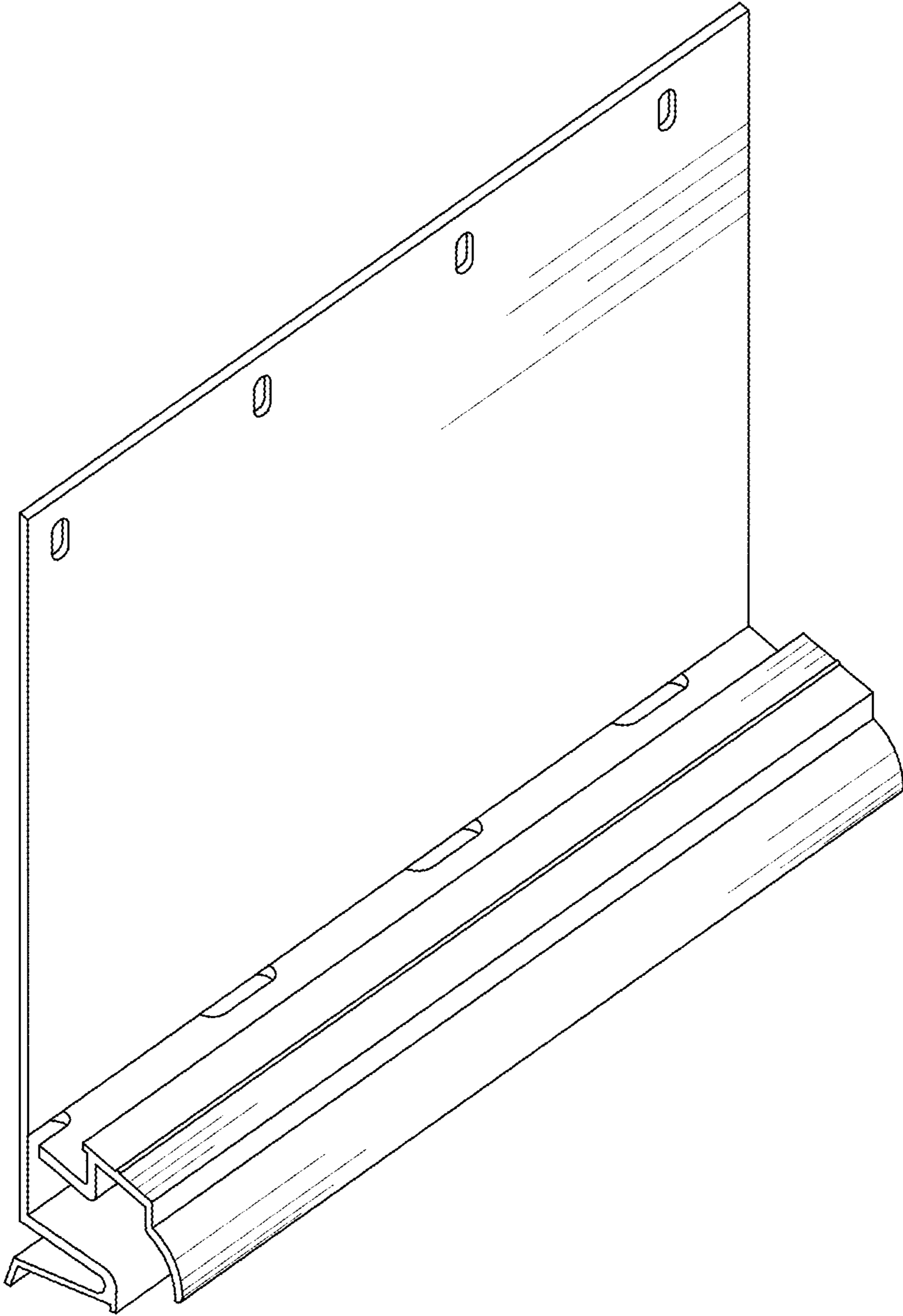


Fig. 1

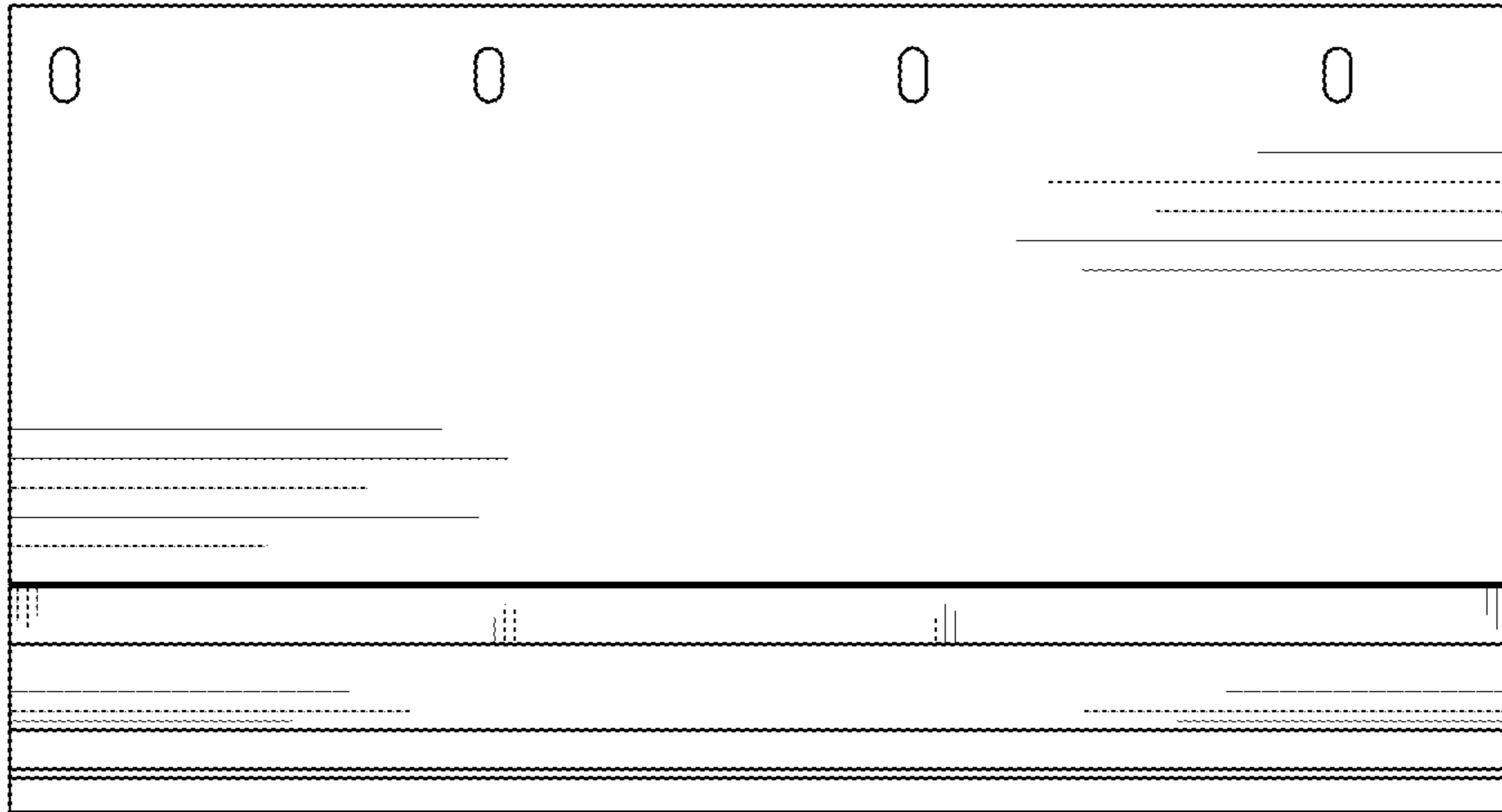


Fig. 2

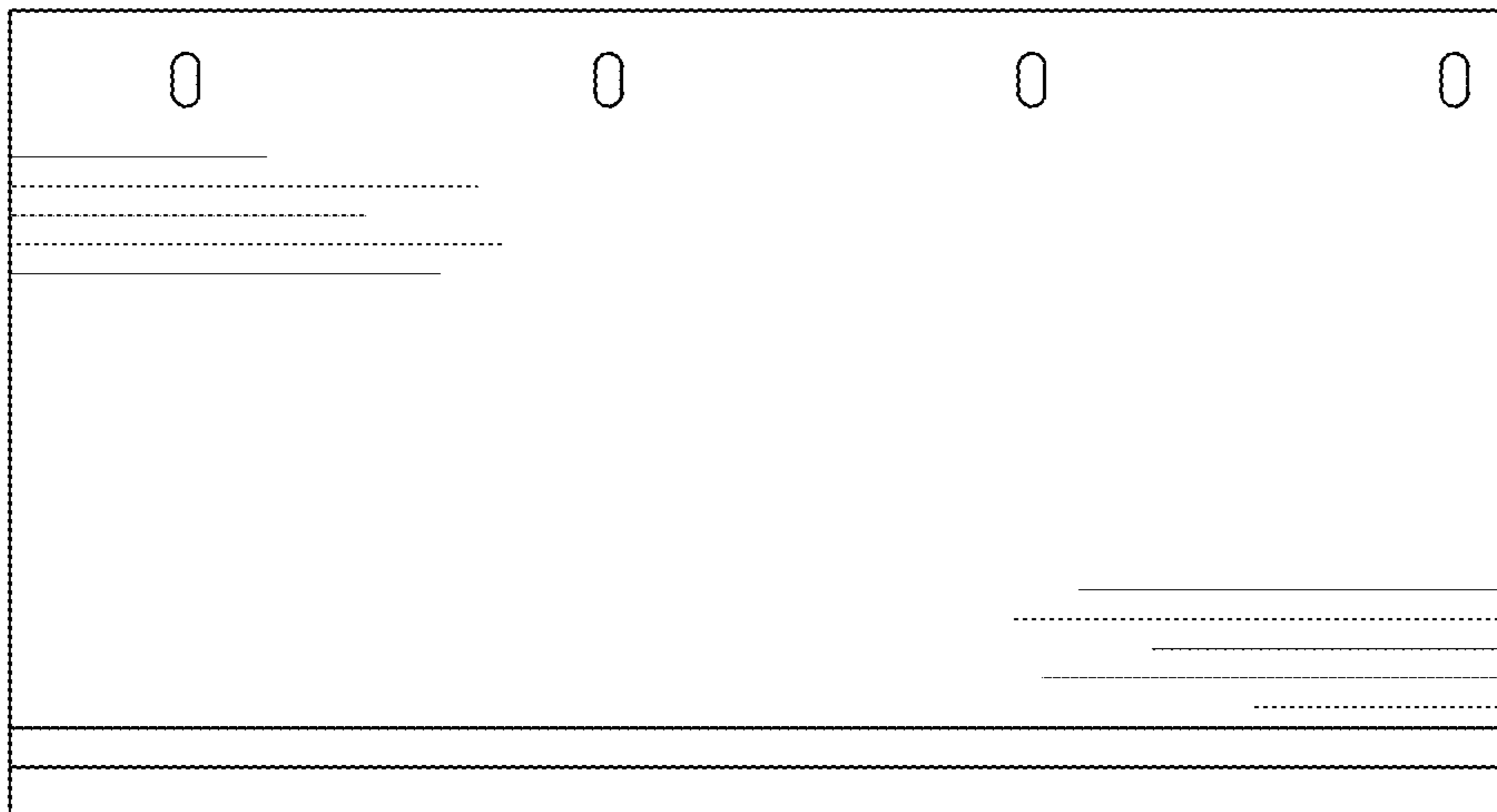


Fig. 3

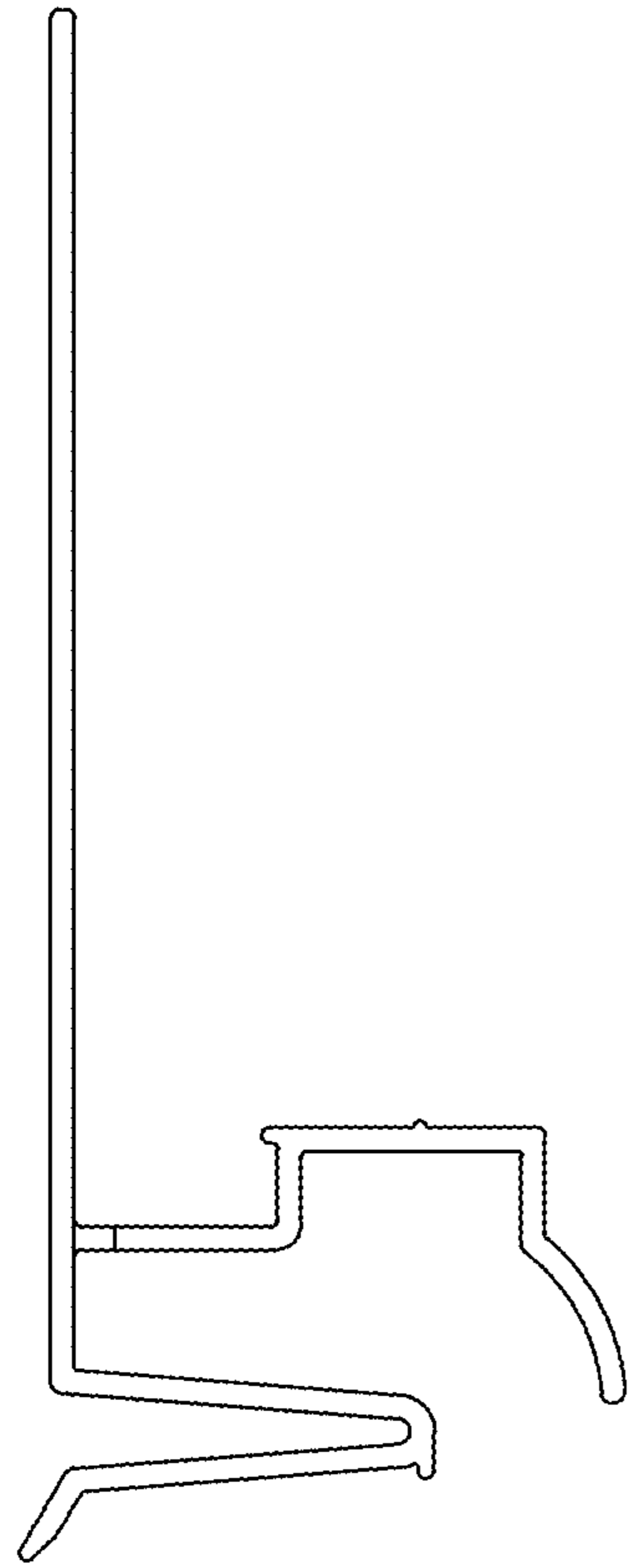


Fig. 4

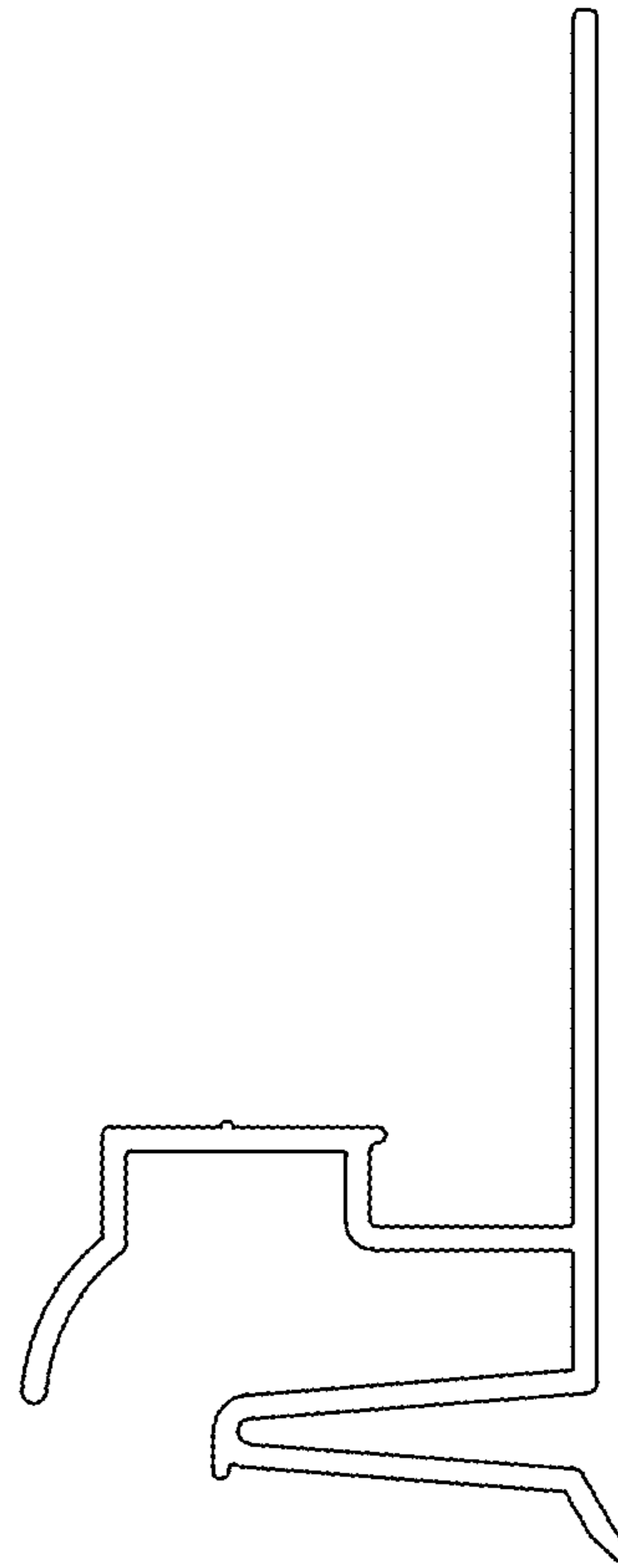


Fig. 5

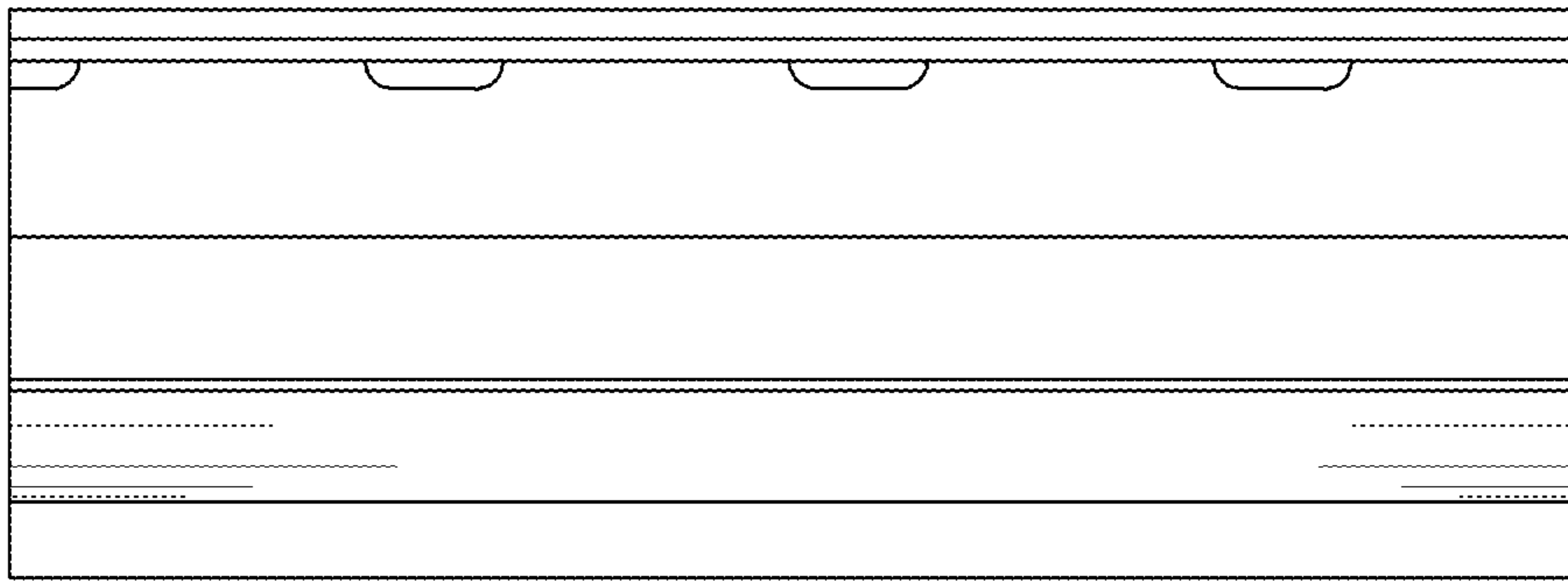


Fig. 6

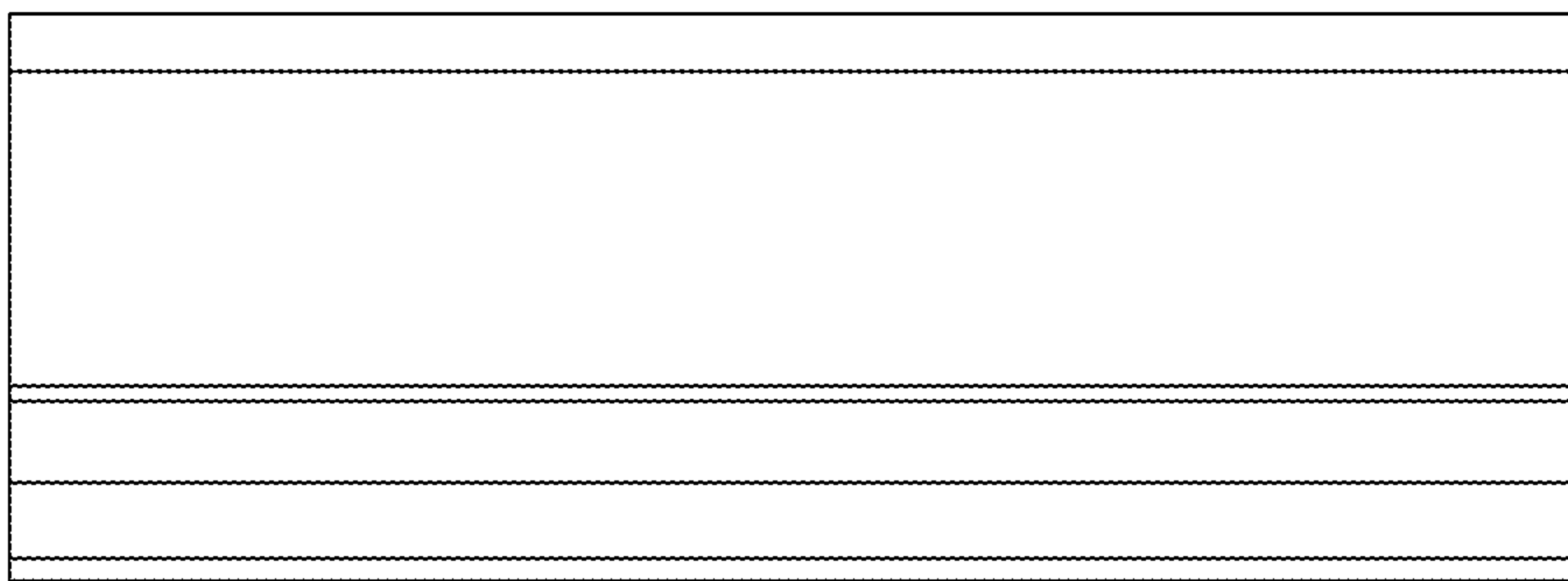


Fig. 7

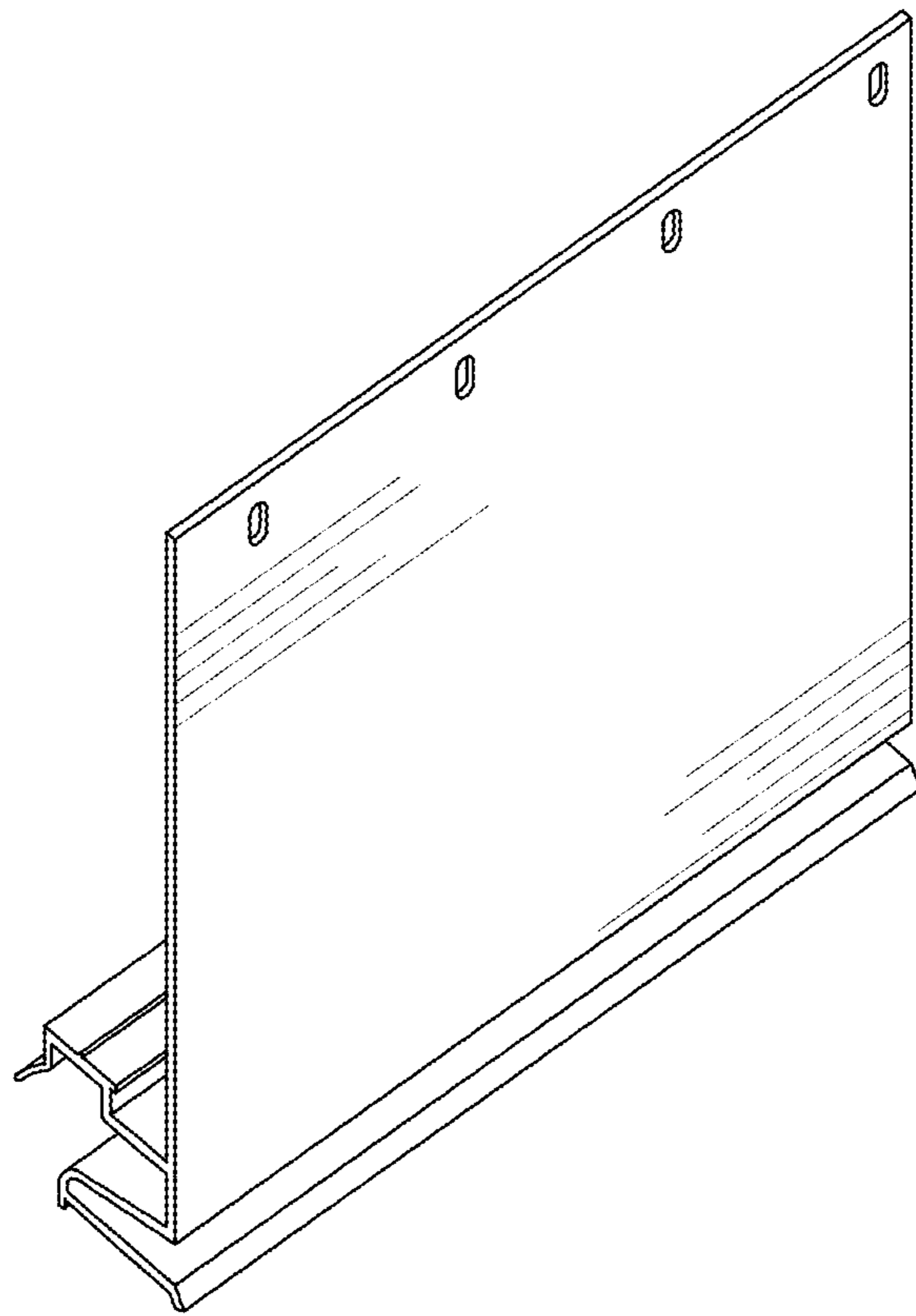


Fig. 8