



US00D893048S

(12) **United States Design Patent** (10) **Patent No.:** **US D893,048 S**
Liu (45) **Date of Patent:** **** *Aug. 11, 2020**

(54) **SAMPLE TRAY FOR AN ELECTROPHORESIS MACHINE**
(71) Applicant: **Lyndon Liu**, San Jose, CA (US)
(72) Inventor: **Lyndon Liu**, San Jose, CA (US)
(*) Notice: This patent is subject to a terminal disclaimer.
(**) Term: **15 Years**
(21) Appl. No.: **29/609,808**
(22) Filed: **Jul. 6, 2017**
(51) **LOC (12) Cl.** **24-01**
(52) **U.S. Cl.**
USPC **D24/233; D24/227**
(58) **Field of Classification Search**
USPC D24/216, 223-233, 186, 107; D10/81
CPC B01L 3/5027; B01L 3/502707; B01L 9/52;
B01L 9/523; B01L 9/527; B01L
2300/0609; B01L 2300/0809; B01L
2300/0877; B01L 2200/027; G01N
27/447; G01N 27/44704; G01N
27/44756; G01N 27/44747; C07K 1/26
See application file for complete search history.

D524,449 S 7/2006 Emerson
D596,311 S * 7/2009 Antons D24/227
D608,457 S * 1/2010 Griffiths D24/227
D667,134 S 9/2012 Updyke et al.
D681,232 S 4/2013 Benarieh et al.
D681,234 S 4/2013 Benarieh et al.
D698,037 S 1/2014 Nelson et al.
D719,277 S 12/2014 Miller et al.
D733,918 S 7/2015 Sjolander
D733,919 S 7/2015 Sjolander
D733,920 S 7/2015 Oliviusson et al.
D733,921 S 7/2015 Oliviusson et al.
D749,235 S 2/2016 Murray et al.
D757,958 S 5/2016 Murray et al.
D767,163 S * 9/2016 Schimmel D24/226
D824,534 S * 7/2018 Kelly D24/224
2005/0011762 A1* 1/2005 Provonchee G01N 27/44704
204/451
2007/0017813 A1* 1/2007 Sun G01N 27/44704
204/606

* cited by examiner

Primary Examiner — Anhdao Doan
(74) *Attorney, Agent, or Firm* — Law Office of Michael O'Brien

(57) **CLAIM**

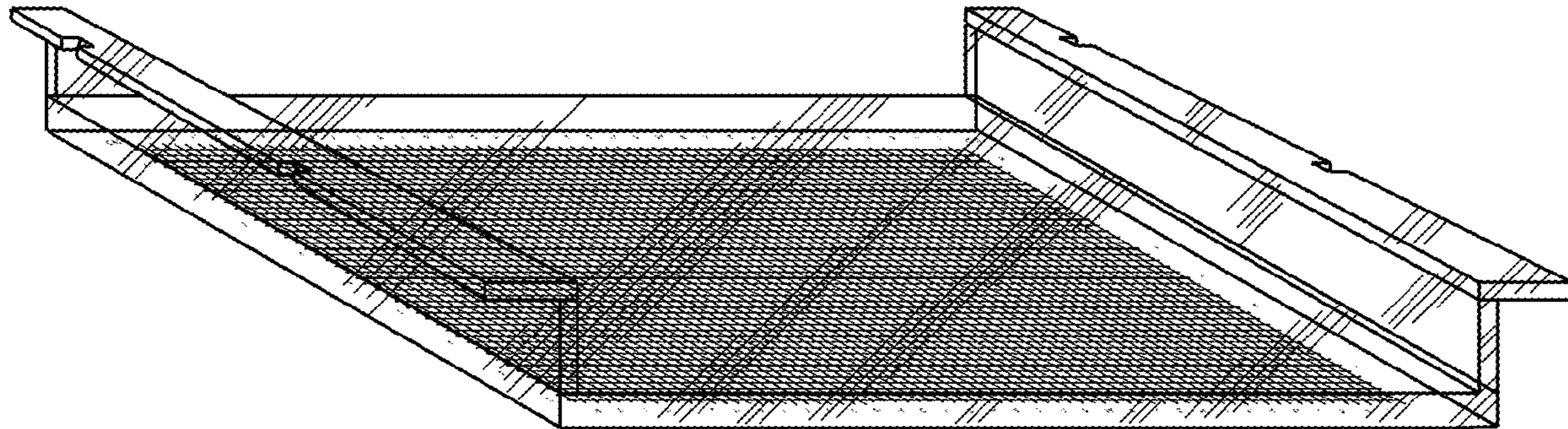
The ornamental design for a sample tray for an electrophoresis machine, as shown and described.

DESCRIPTION

FIG. 1 is a top view of a sample tray for an electrophoresis machine;
FIG. 2 is a front view thereof;
FIG. 3 is a left side view thereof;
FIG. 4 is a rear view thereof;
FIG. 5 is a right side view thereof;
FIG. 6 is a bottom view thereof; and,
FIG. 7 is a perspective view thereof.

1 Claim, 7 Drawing Sheets

(56) **References Cited**
U.S. PATENT DOCUMENTS
D303,007 S 8/1989 Flesher et al.
D441,459 S 5/2001 Ooike et al.
D454,202 S * 3/2002 Pham D24/216
6,576,109 B1 * 6/2003 Hsu B01D 57/02
204/616
D505,729 S 5/2005 Lee
D510,770 S 10/2005 Emerson
D511,386 S 11/2005 Emerson
D516,733 S 3/2006 Pedraza et al.



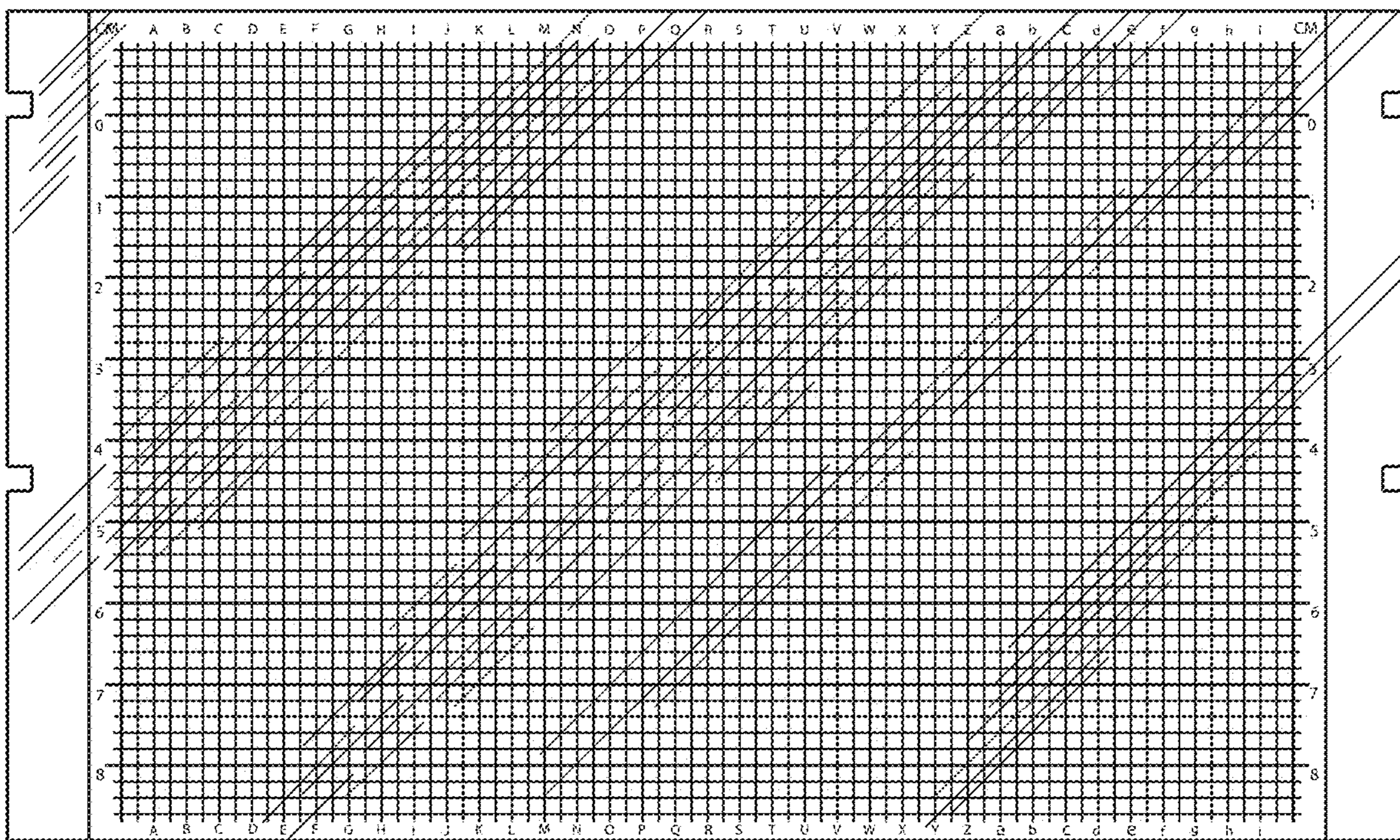


Figure 1

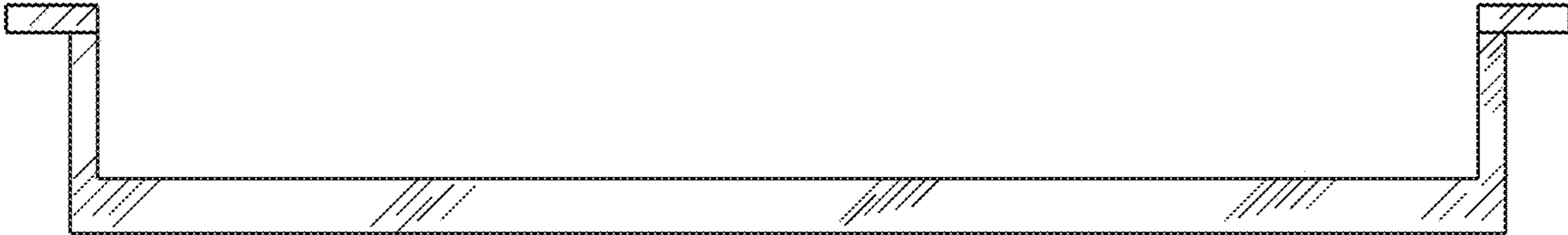


Figure 2

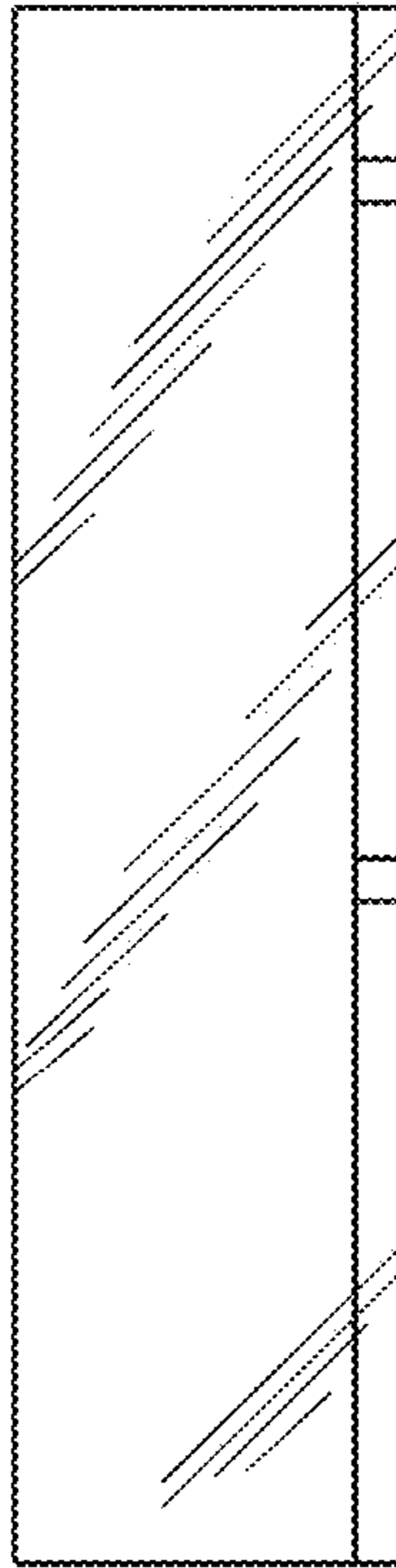


Figure 3

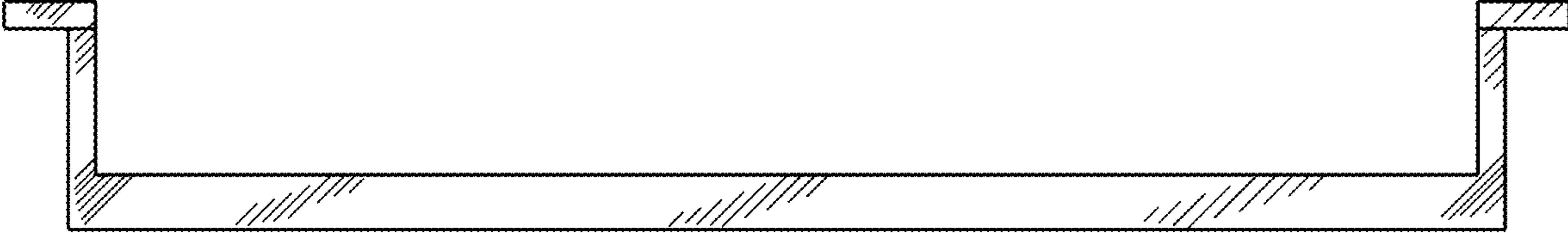


Figure 4

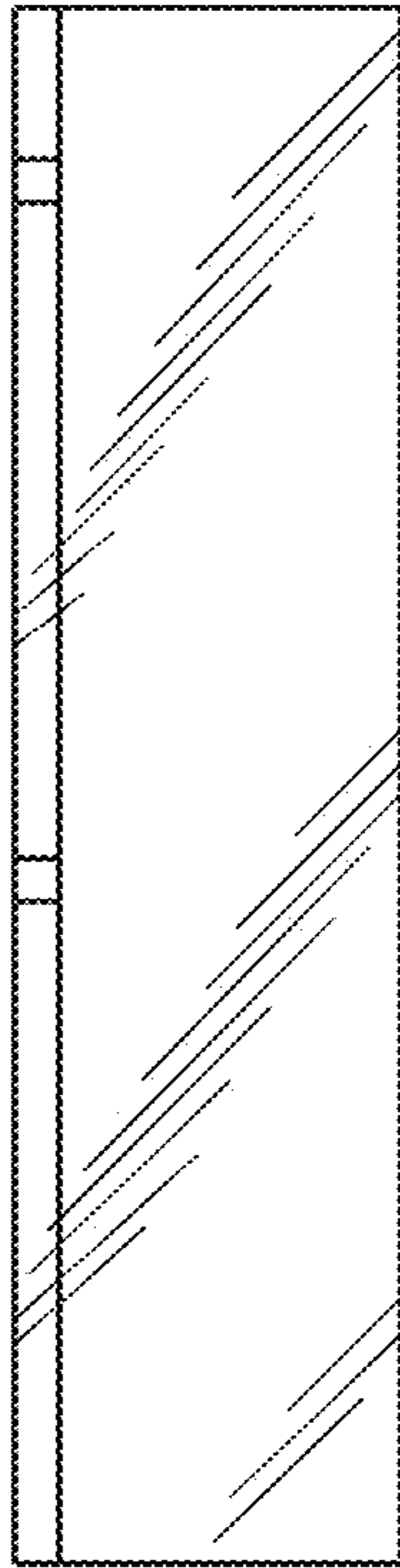


Figure 5

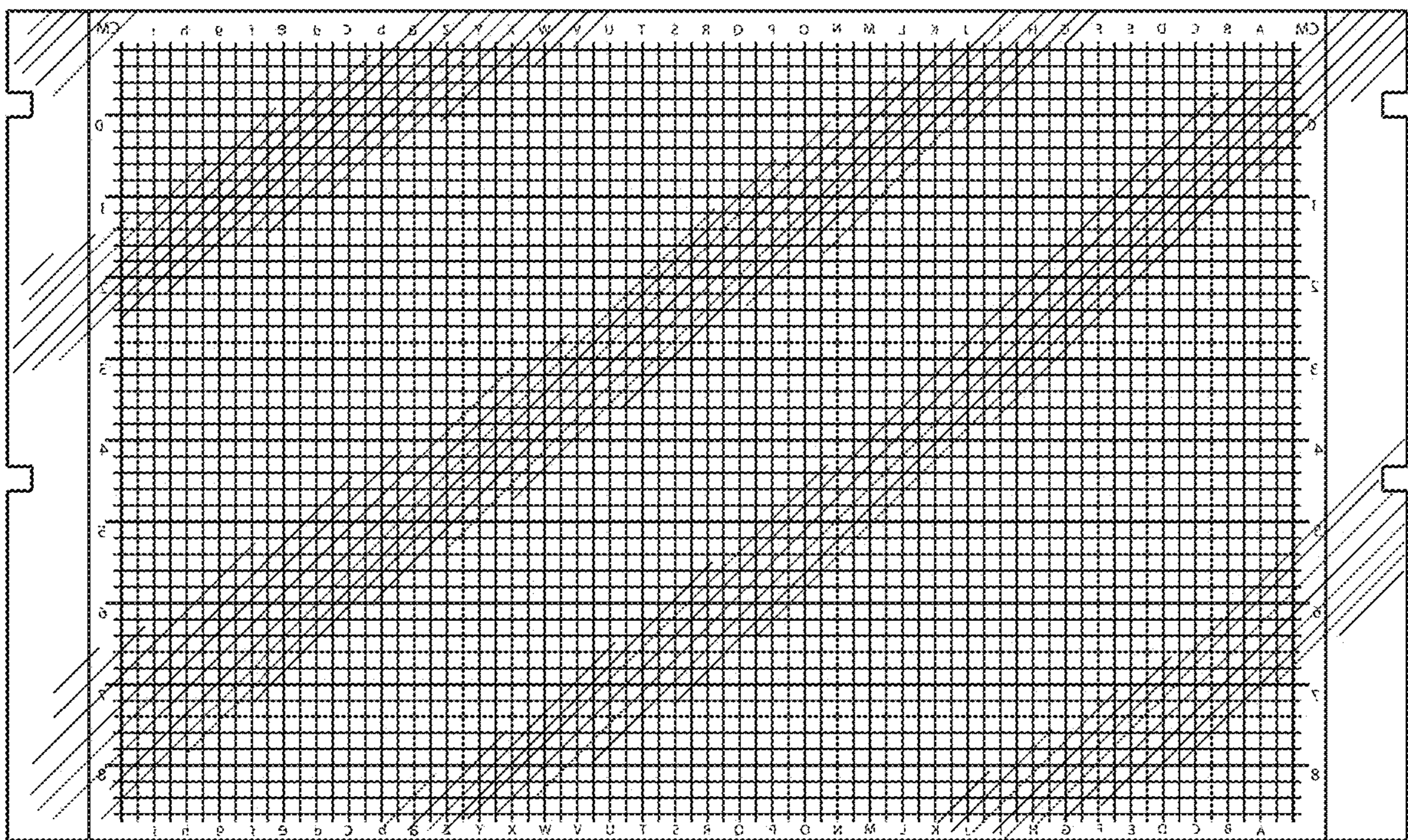


Figure 6

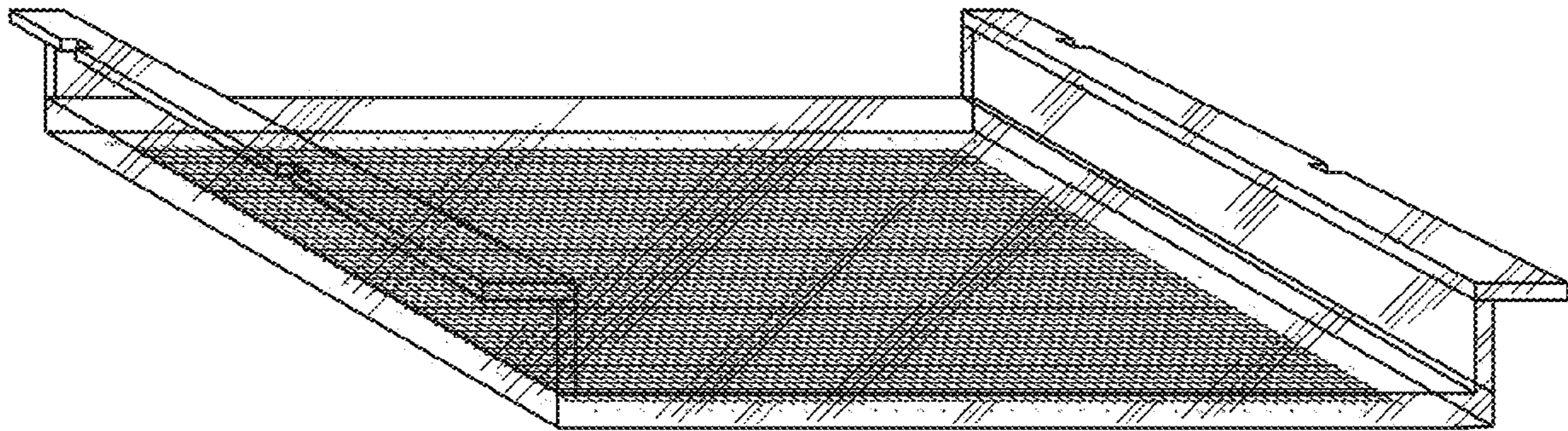


Figure 7