



US00D893047S

(12) **United States Design Patent** (10) **Patent No.:** **US D893,047 S**
Wahlqvist et al. (45) **Date of Patent:** **** Aug. 11, 2020**

- (54) **CUVETTE**
- (71) Applicant: **Hemocue AB**, Ångelholm (SE)
- (72) Inventors: **Caroline Wahlqvist**, Ångelholm (SE);
Mirjam Andreasson, Ångelholm (SE);
Anders Carlsson, Ångelholm (SE)
- (73) Assignee: **HEMOCUE AB**, Ångelholm (SE)
- (**) Term: **15 Years**
- (21) Appl. No.: **29/714,651**
- (22) Filed: **Nov. 25, 2019**

D349,400 S *	8/1994	Bearinger	D3/208
D353,676 S	12/1994	Kelln et al.		
D383,304 S *	9/1997	Van Osch	D3/208
5,674,457 A *	10/1997	Williamsson	B01L 3/502723 356/246
D470,595 S	2/2003	Crisanti et al.		
D490,103 S	5/2004	Rangel et al.		
D495,806 S	9/2004	Nørholm		
D562,988 S	2/2008	Pogorzelski		
D568,388 S *	5/2008	Hammad	D14/436
D582,484 S *	12/2008	Oas	D20/22
D631,918 S *	2/2011	Peyser	D20/22
D640,327 S *	6/2011	Gorzo	D20/22
D679,829 S	4/2013	Clark et al.		
D708,804 S	7/2014	Piro		
D768,872 S	10/2016	Huhta et al.		

(Continued)

Related U.S. Application Data

- (62) Division of application No. 35/504,976, filed on May 7, 2018 (U.S. filing date under 35 U.S.C. 384), and having an international filing date of May 7, 2018, now Pat. No. Des. 870,315.

Foreign Application Priority Data

- Nov. 9, 2017 (EM) 004500106-0001
- Nov. 9, 2017 (EM) 004500106-0002

- (51) **LOC (12) Cl.** **24-02**
- (52) **U.S. Cl.**

USPC **D24/224**

- (58) **Field of Classification Search**
- USPC D24/169, 216-230; D3/207; D19/10;
D20/27
- CPC G01N 21/03; G01N 2021/0321; G01N
2021/0339; G01N 2021/0378; G01N
21/0303; B01L 3/508

See application file for complete search history.

(56) **References Cited**

U.S. PATENT DOCUMENTS

- D221,118 S * 7/1971 Chambers B01L 3/502723
D20/22
- D344,183 S * 2/1994 Anderson D3/207

OTHER PUBLICATIONS

Vintage Revivals, DIY Leather Luggage Tags, Apr. 8, 2015, online tutorial, retrieved Mar. 25, 2020 from <URL:https://vintagerevivals.com/diy-leather-luggage-tags-cricut-explore-air-giveaway> (Year: 2015).*

Primary Examiner — Sheryl Lane

Assistant Examiner — Calvin E Vansant

(74) *Attorney, Agent, or Firm* — Leydig, Voit & Mayer, Ltd.

(57) **CLAIM**

The ornamental design for a cuvette, as shown and described.

DESCRIPTION

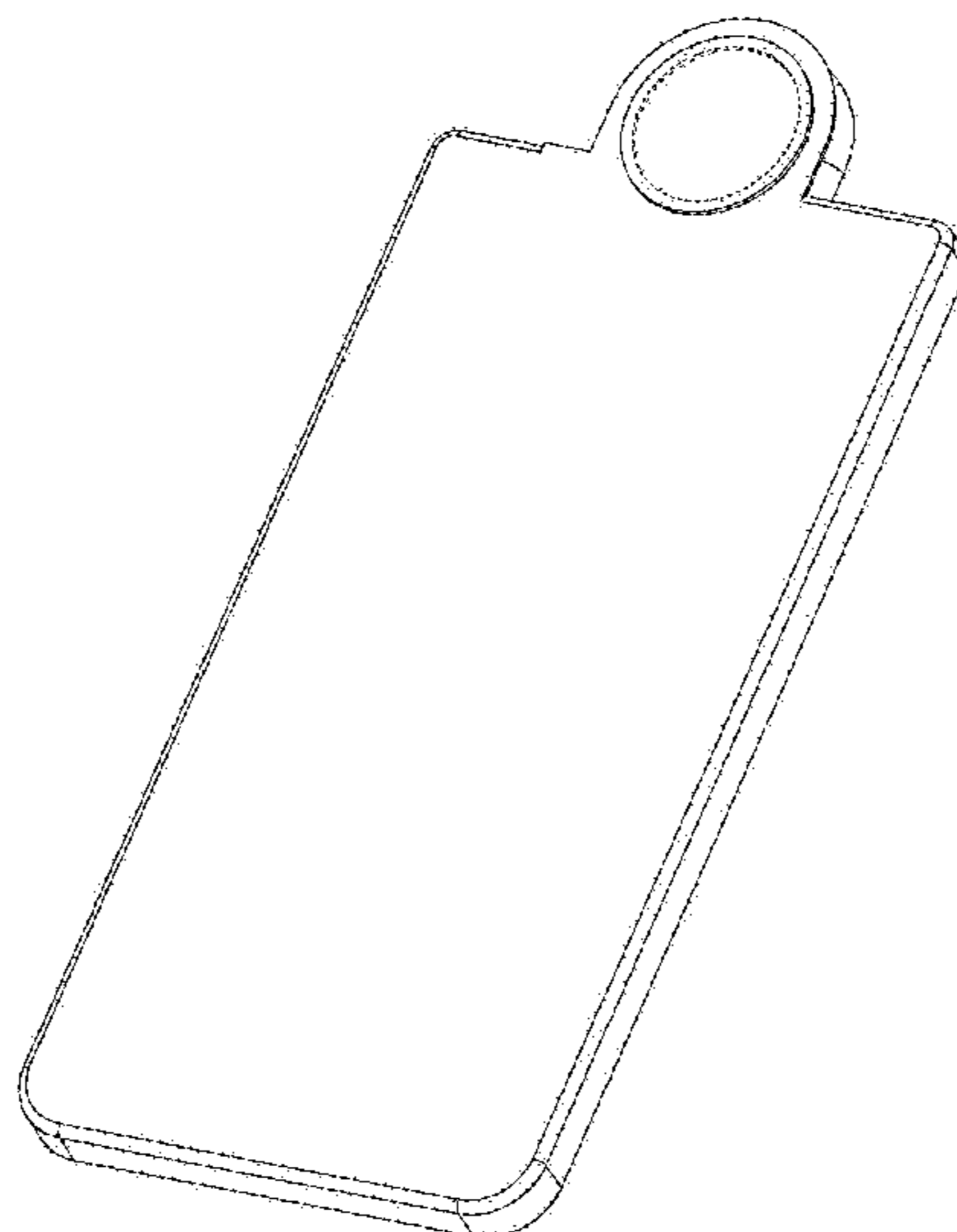
FIG. 1 is a perspective view.

FIG. 2 is a front view; and,

FIG. 3 is a rear view.

The broken lines depict portions of the cuvette that form no part of the claimed design.

1 Claim, 3 Drawing Sheets



(56)

References Cited

U.S. PATENT DOCUMENTS

D780,042 S * 2/2017 Bibeault D11/79
D806,658 S * 1/2018 Chui D13/168
D820,584 S * 6/2018 Axelrod D3/203.1
D824,042 S 7/2018 Scott et al.
D827,858 S 9/2018 Buschtez
D870,315 S * 12/2019 Wahlqvist D24/224
2010/0209298 A1 8/2010 Karla et al.
2015/0138542 A1 5/2015 Wang et al.
2015/0253255 A1 9/2015 Wagner et al.

* cited by examiner

FIG. 1

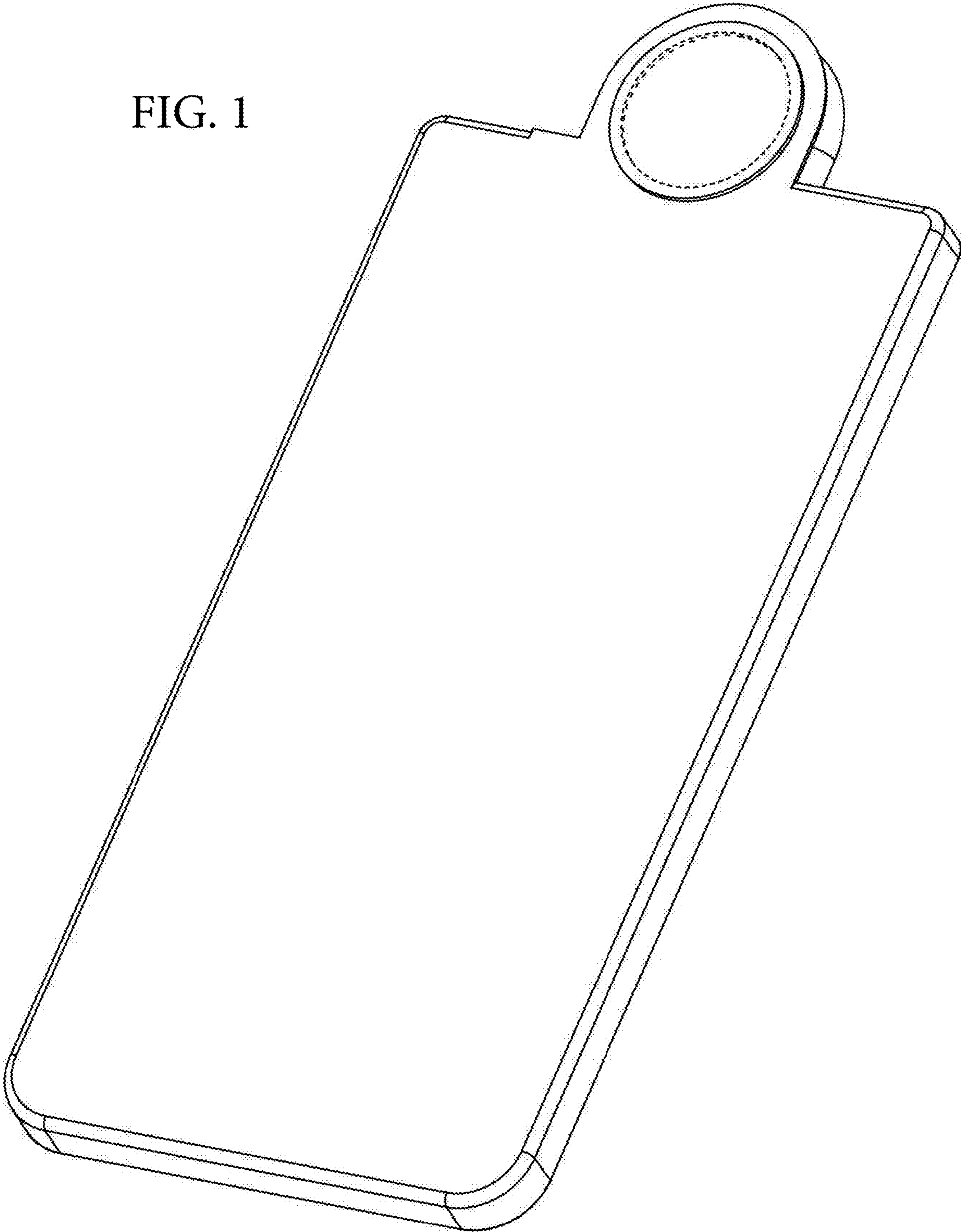


FIG. 2

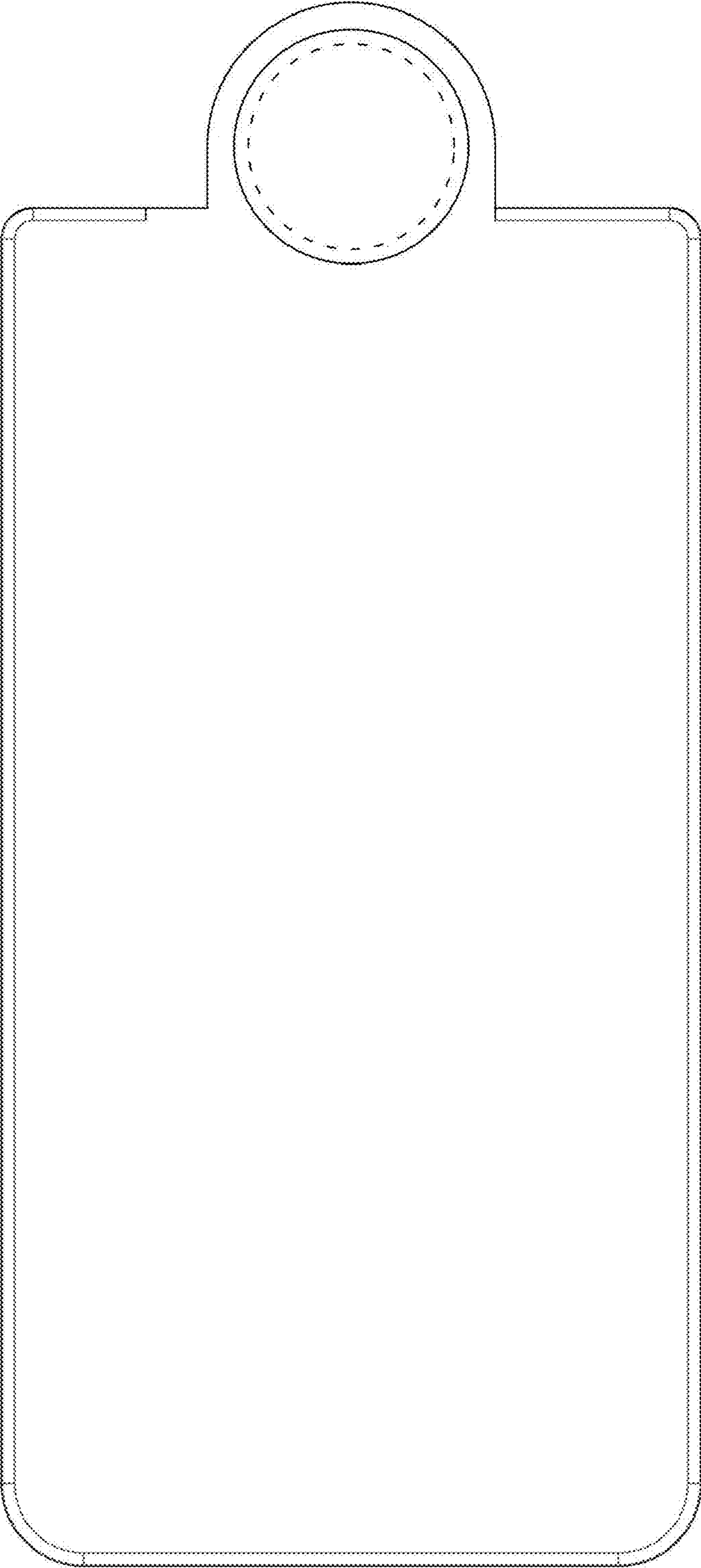


FIG. 3

