



US00D893046S

(12) **United States Design Patent** (10) **Patent No.:** **US D893,046 S**
Jones et al. (45) **Date of Patent:** **** Aug. 11, 2020**

(54) **CONTAINER UNIT**
(71) Applicants: **Baxalta GmbH**, Glattpark (Opfikon) (CH); **Baxalta Incorporated**, Bannockburn, IL (US)
(72) Inventors: **Seth Dale Jones**, Round Lake, IL (US); **Madeleine Clare Gibson**, Madison, WI (US); **Daniel Edward Roush**, Niles, IL (US)

3,593,873 A 7/1971 Vonk
3,601,253 A 8/1971 Poupitch
3,727,749 A 4/1973 Martin
3,744,661 A 7/1973 Fischer, Jr.
3,876,377 A 4/1975 Cinqualbre
3,893,280 A 7/1975 King
(Continued)

(73) Assignees: **Baxalta GmbH**, Glattpark (Opfikon) (CH); **Baxalta Incorporated**, Bannockburn, IL (US)

FOREIGN PATENT DOCUMENTS

CN 201830503853.6 * 9/2018
EP 0 495 808 B1 7/1992
(Continued)

(**) Term: **15 Years**

OTHER PUBLICATIONS

International Search Report and Written Opinion dated Jul. 26, 2013 in connection with International Application No. PCT/US2013/036879.

(21) Appl. No.: **29/665,393**

(Continued)

(22) Filed: **Oct. 3, 2018**

(51) **LOC (12) Cl.** **24-02**

Primary Examiner — Susan Bennett Hattan

(52) **U.S. Cl.**
USPC **D24/224**; D9/741

Assistant Examiner — Omeed Agilee

(58) **Field of Classification Search**

(74) *Attorney, Agent, or Firm* — Wolf, Greenfield & Sacks, P.C.

USPC D24/107, 169, 186, 216, 223–230;

D9/345, 434, 455, 752, 753, 517, 738,

D9/741; D3/309, 316

CPC G01N 21/0303; B01L 3/508

See application file for complete search history.

(57) **CLAIM**

The ornamental design for a container unit, as shown and described.

(56) **References Cited**

DESCRIPTION

U.S. PATENT DOCUMENTS

363,690 A 5/1887 Sleeper
2,080,947 A 5/1937 Ligeour
2,399,893 A 5/1946 Scholz
D159,762 S 8/1950 Touhey
2,754,962 A 7/1956 Scrymgeour
2,865,669 A 12/1958 Linthicum
2,949,204 A 8/1960 Edwards
3,278,007 A 10/1966 Weber
3,543,355 A 12/1970 Wyckoff et al.
3,589,509 A 6/1971 Mascia et al.

FIG. 1 is a top, front, left side perspective view of a container unit;

FIG. 2 is a front elevation view thereof;

FIG. 3 is a rear elevation view thereof;

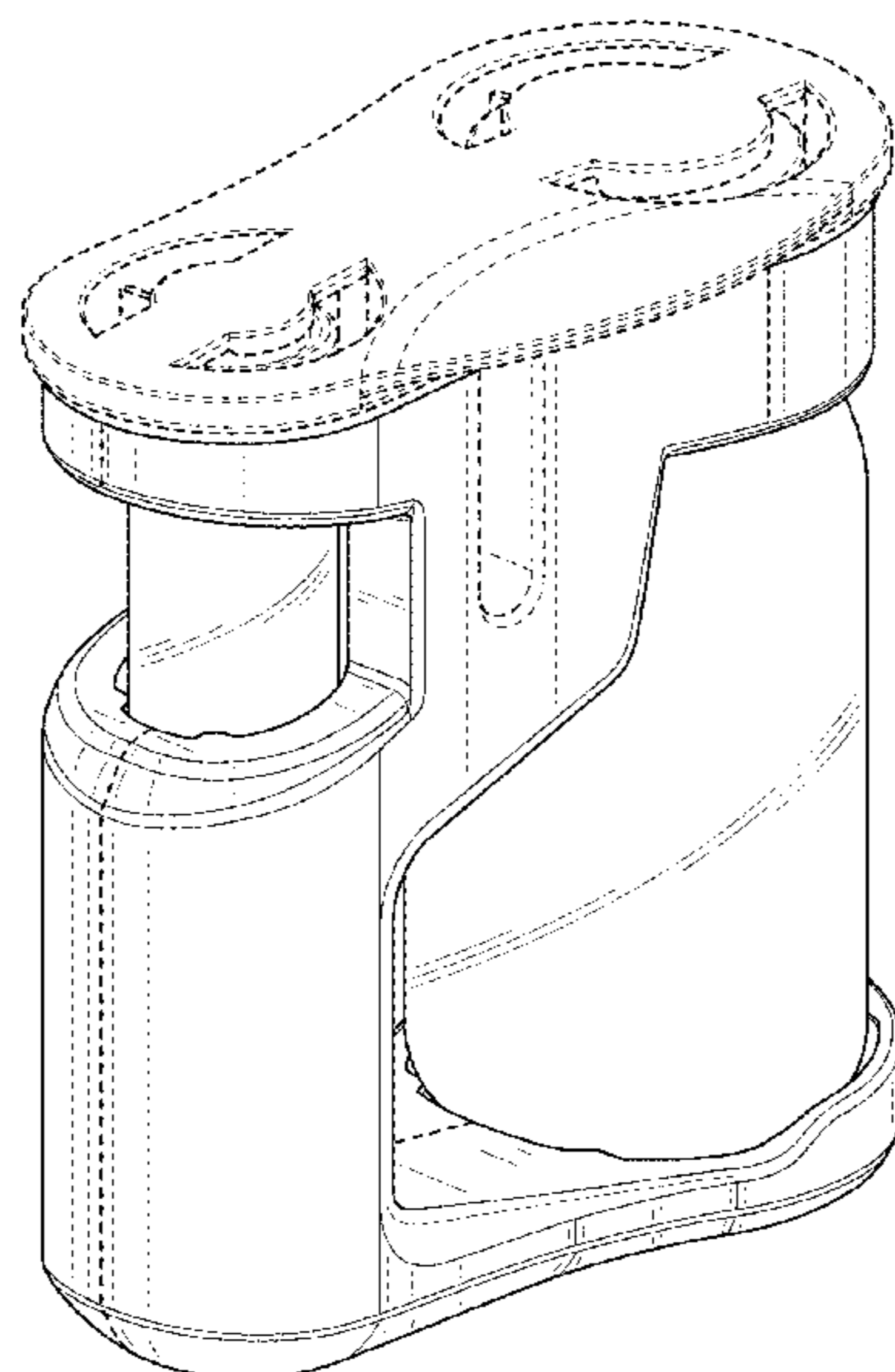
FIG. 4 is a left side elevation view thereof;

FIG. 5 is a right side elevation view thereof; and,

FIG. 6 is a top plan view thereof.

The broken lines shown illustrate portions of the container unit that form no part of the claimed design.

1 Claim, 6 Drawing Sheets



(56)

References Cited

U.S. PATENT DOCUMENTS

4,143,764 A 3/1979 Moss, III
 4,178,152 A 12/1979 Nunogaki
 4,262,814 A 4/1981 Roccaforte
 4,526,756 A 7/1985 Wong
 D280,932 S 10/1985 Green
 D283,640 S * 4/1986 Grimes D24/223
 4,856,647 A 8/1989 Dahne
 D306,645 S 3/1990 Parker
 4,970,053 A 11/1990 Fechtner
 5,005,721 A 4/1991 Jordan
 5,009,309 A 4/1991 Hansen
 5,040,678 A 8/1991 Lenmark, Sr. et al.
 5,148,919 A 9/1992 Rubin
 D355,260 S * 2/1995 Tomasso D24/224
 5,609,248 A 3/1997 Rohrbough et al.
 5,725,499 A 3/1998 Silverstein et al.
 5,954,213 A 9/1999 Gerhart et al.
 6,000,548 A 12/1999 Tsals
 6,102,233 A 8/2000 Waugh
 6,164,450 A 12/2000 Benedetti
 6,213,529 B1 4/2001 Kurcz et al.
 6,305,541 B1 10/2001 Tanner et al.
 D457,949 S 5/2002 Krug et al.
 6,558,628 B1 5/2003 Reo
 6,613,283 B2 9/2003 Reo
 6,789,828 B1 9/2004 Borg
 6,929,474 B2 8/2005 Schenck et al.
 7,468,049 B2 12/2008 Laveault
 D620,603 S * 7/2010 Talmer D24/224
 D632,802 S * 2/2011 Salinas D24/224
 D645,973 S * 9/2011 Hoenes D24/224
 8,684,433 B2 4/2014 Oesterle et al.
 D769,456 S * 10/2016 Dulaff D24/224

D778,460 S * 2/2017 Marechal D24/224
 D847,634 S * 5/2019 Hatakeyama D9/455
 D847,974 S * 5/2019 McNall, III D24/111
 D865,993 S 11/2019 Trump et al.
 2005/0045495 A1 3/2005 Dalsing et al.
 2005/0175338 A1* 8/2005 Ide G03D 3/06
 396/647
 2007/0267378 A1* 11/2007 Piccinino B65D 1/04
 215/6
 2007/0278245 A1 12/2007 Brooks et al.
 2013/0284735 A1 10/2013 Oesterle et al.
 2016/0266156 A1 9/2016 Brennan et al.

FOREIGN PATENT DOCUMENTS

EP 0 631 816 A1 1/1995
 EP 0 734 963 B1 10/1996
 FR 2 085 307 A1 12/1971
 FR 2 715 131 A1 7/1995
 JP 08-324571 A 12/1996
 JP D2016-11117 * 5/2016
 TW 455382 9/2001
 TW D194378 12/2018
 WO WO 93/01739 A1 2/1993
 WO WO 1996/32917 10/1996
 WO WO 2009/083347 A1 7/2009

OTHER PUBLICATIONS

International Preliminary Report on Patentability dated Nov. 6, 2014 in connection with International Application No. PCT/US2013/036879.

Tractor S.C. Online. Published date unknown. Retrieved on Jan. 9, 2020 from URL: https://en.wikipedia.org/wiki/Tractor_S.C.

* cited by examiner

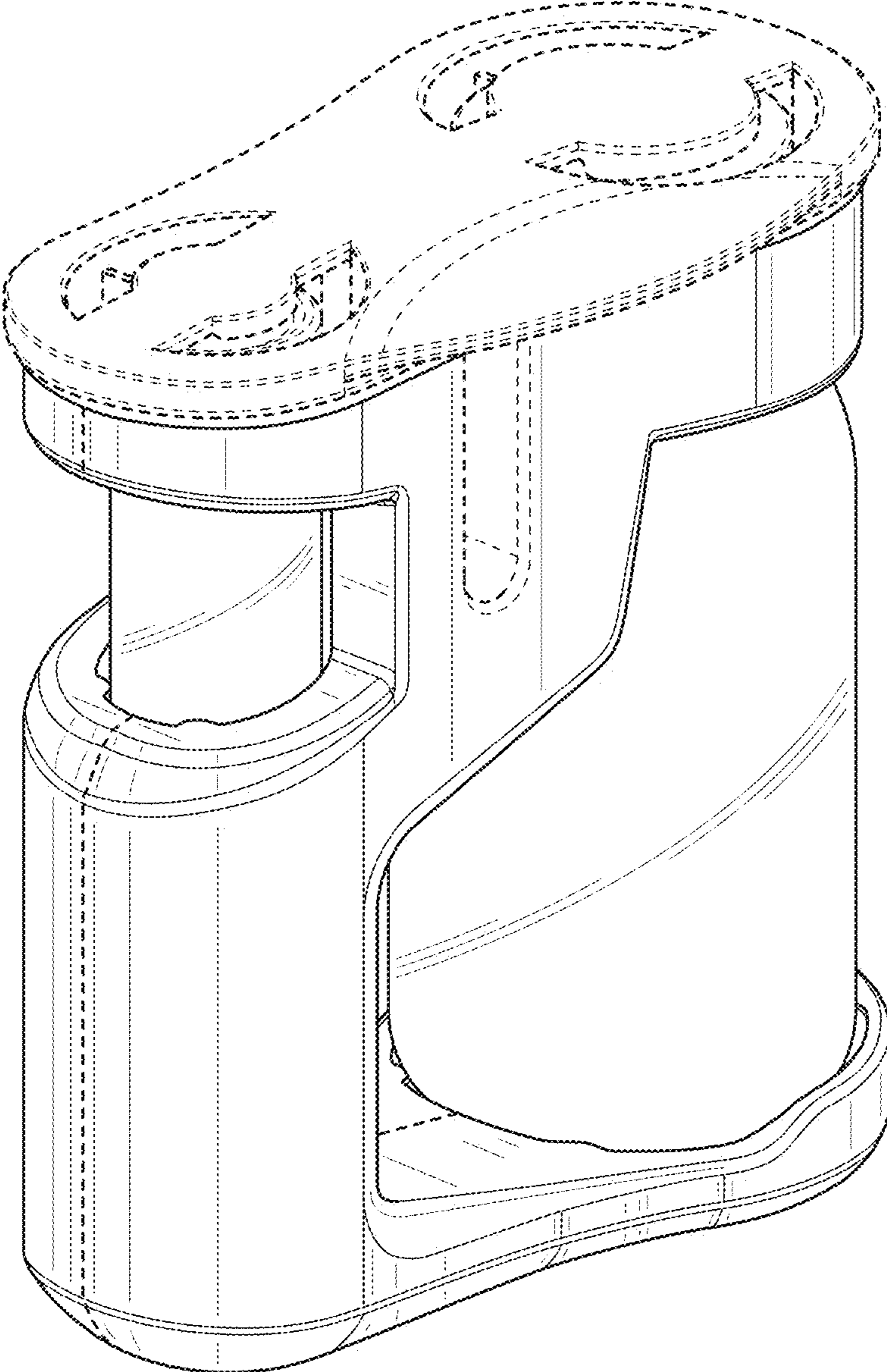


FIG. 1

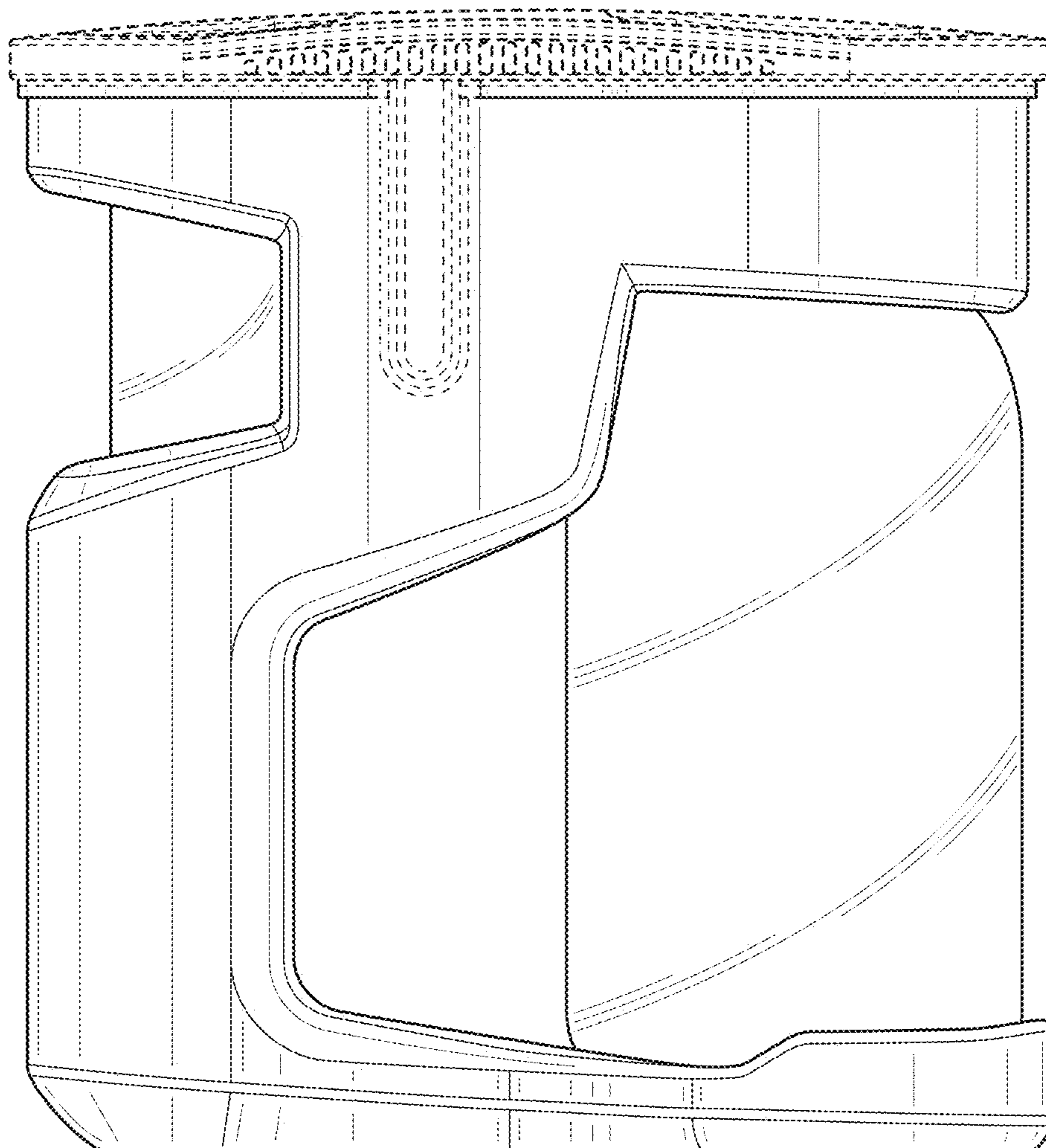


FIG. 2

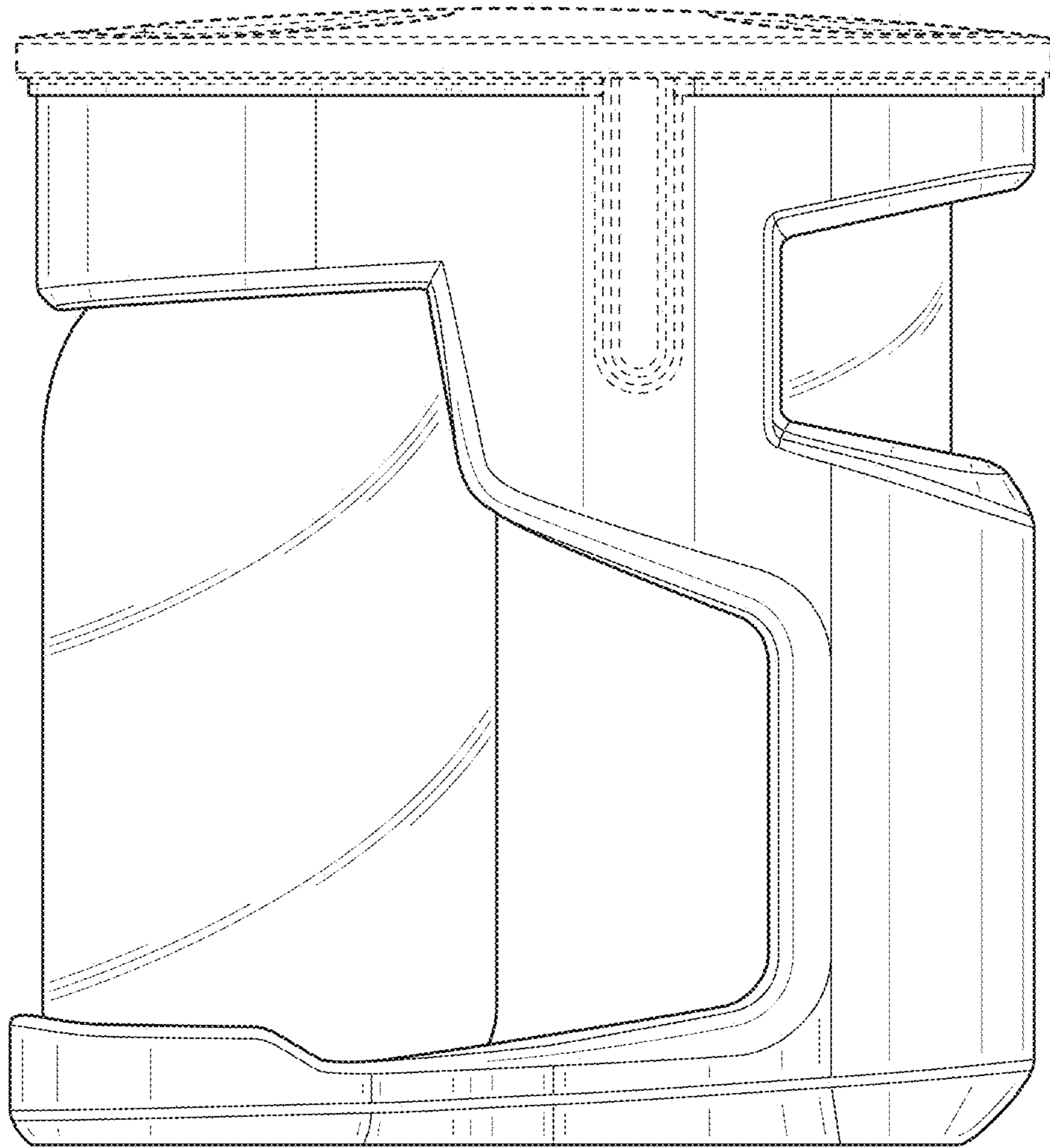


FIG. 3

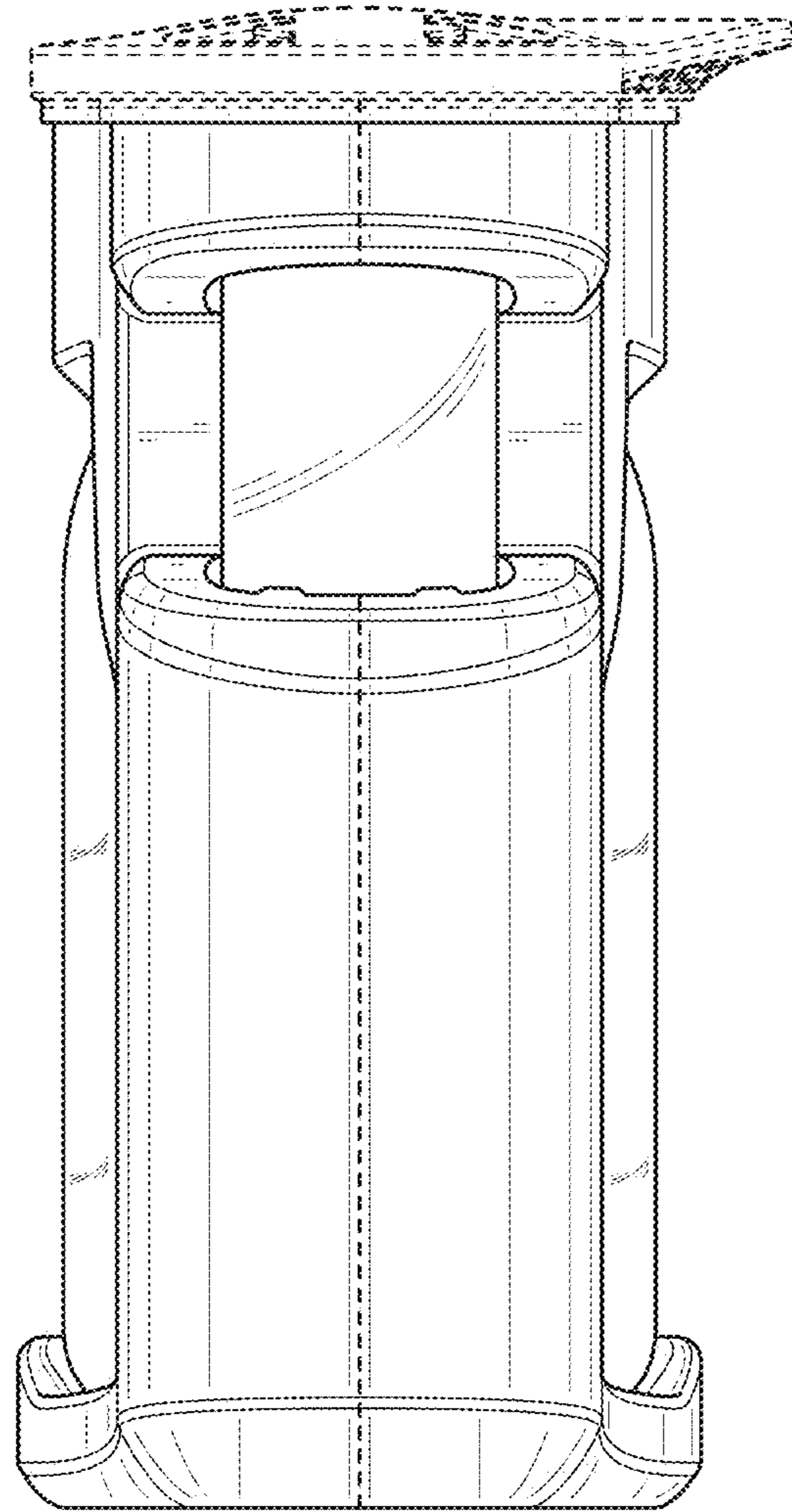


FIG. 4

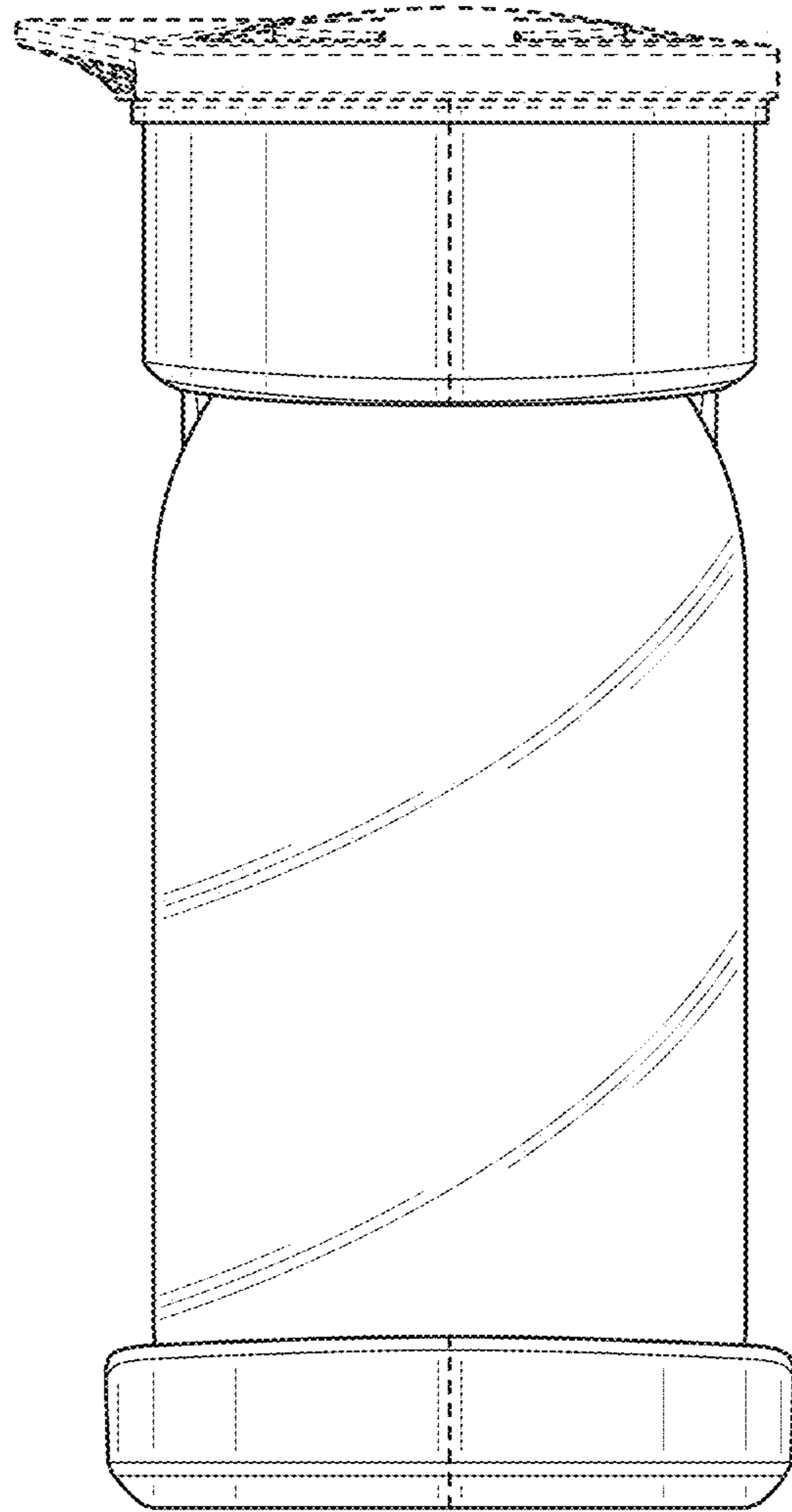


FIG. 5

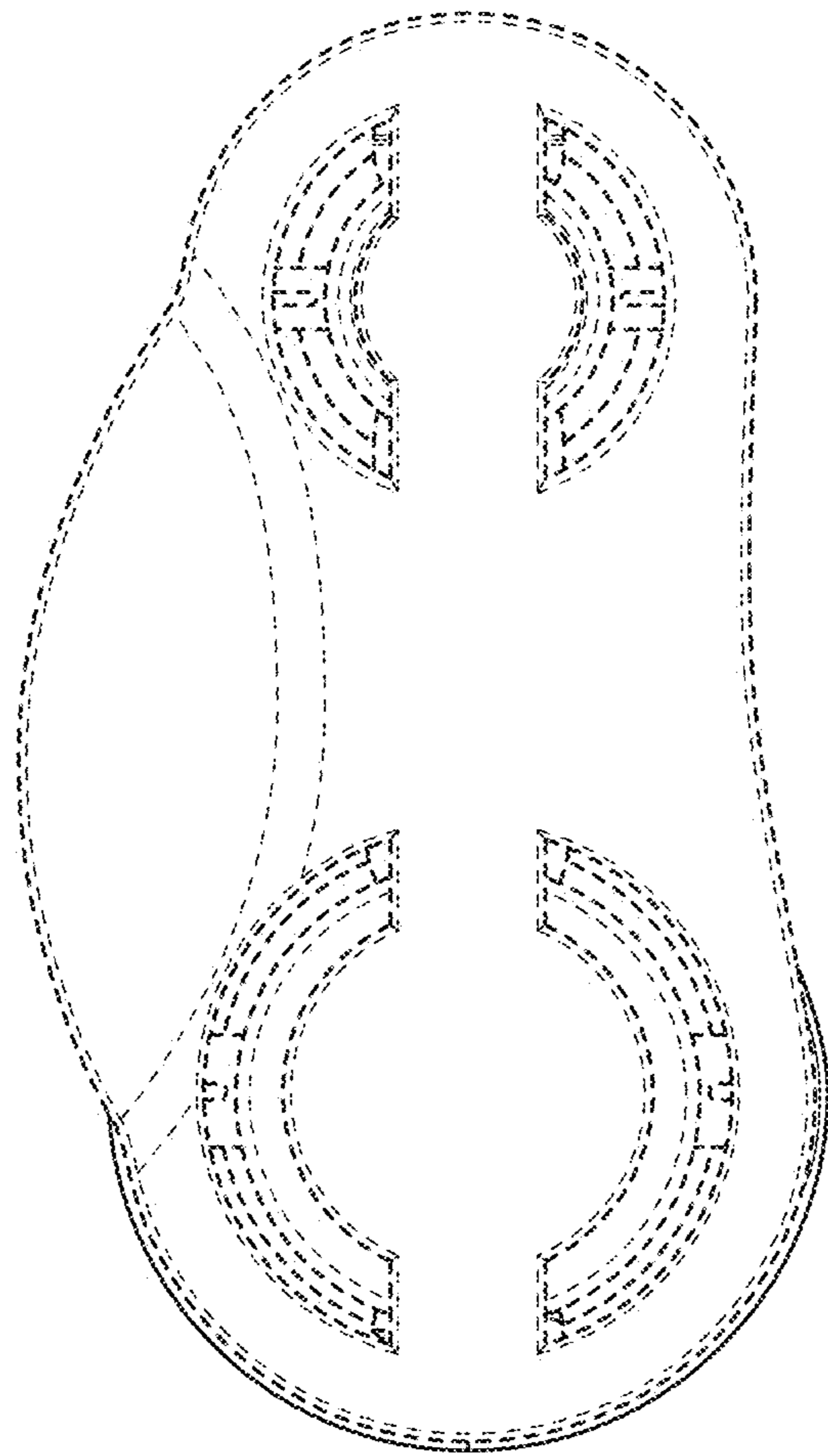


FIG. 6