



US00D893044S

(12) **United States Design Patent** (10) **Patent No.:** **US D893,044 S**  
**Wei** (45) **Date of Patent:** **\*\* Aug. 11, 2020**

(54) **PIPE-STERILIZING EQUIPMENT**

FOREIGN PATENT DOCUMENTS

(71) Applicant: **Hui Wei**, Guangdong (CN)

JP 2003210556 A \* 7/2003

(72) Inventor: **Hui Wei**, Guangdong (CN)

OTHER PUBLICATIONS

(73) Assignee: **Shenzhen Carejoy Technology Co., Ltd**, Shenzhen, Guangdong (CN)

CPAP Cleaner & Sterilizer by Vinmax; Amazon Earliest Review Date: Jul. 4, 2018; [https://www.amazon.com/Sanitizer-vinmax-Disinfector-Equipment-Accessories/dp/B07DJ6XNHV/ref=sr\\_1\\_21?crid=TI1CG5IEW1UG&dchild=1&keywords=cpap+cleaner&qid=1586545366&sprefix=CPAP%2Caps%2C139&sr=8-21](https://www.amazon.com/Sanitizer-vinmax-Disinfector-Equipment-Accessories/dp/B07DJ6XNHV/ref=sr_1_21?crid=TI1CG5IEW1UG&dchild=1&keywords=cpap+cleaner&qid=1586545366&sprefix=CPAP%2Caps%2C139&sr=8-21) (Year: 2018).\*  
The Best Industrial Supplies Article; "16 Best Cpap Machines and Mask"; Published online Sep. 2, 2018 on [www.theindustrialsupplies.com](http://www.theindustrialsupplies.com); Visited Online Apr. 10, 2020; <http://www.thebestindustrialsupplies.com/16-best-cpap-machines-and-mask> (Year: 2018).\*

(\*\*) Term: **15 Years**

(21) Appl. No.: **29/666,716**

(22) Filed: **Oct. 15, 2018**

(51) **LOC (12) Cl.** ..... **23-03**

(52) **U.S. Cl.**  
USPC ..... **D24/217**

(58) **Field of Classification Search**  
USPC ..... D23/259, 266; D27/162-169, 194;  
D24/107-108, 110-112, 127, 129,  
D24/163-165, 187, 217, 231; 250/431  
See application file for complete search history.

\* cited by examiner

*Primary Examiner* — Amy C Wierenga

(56) **References Cited**

(57) **CLAIM**

The ornamental design for a pipe-sterilizing equipment, as shown and described.

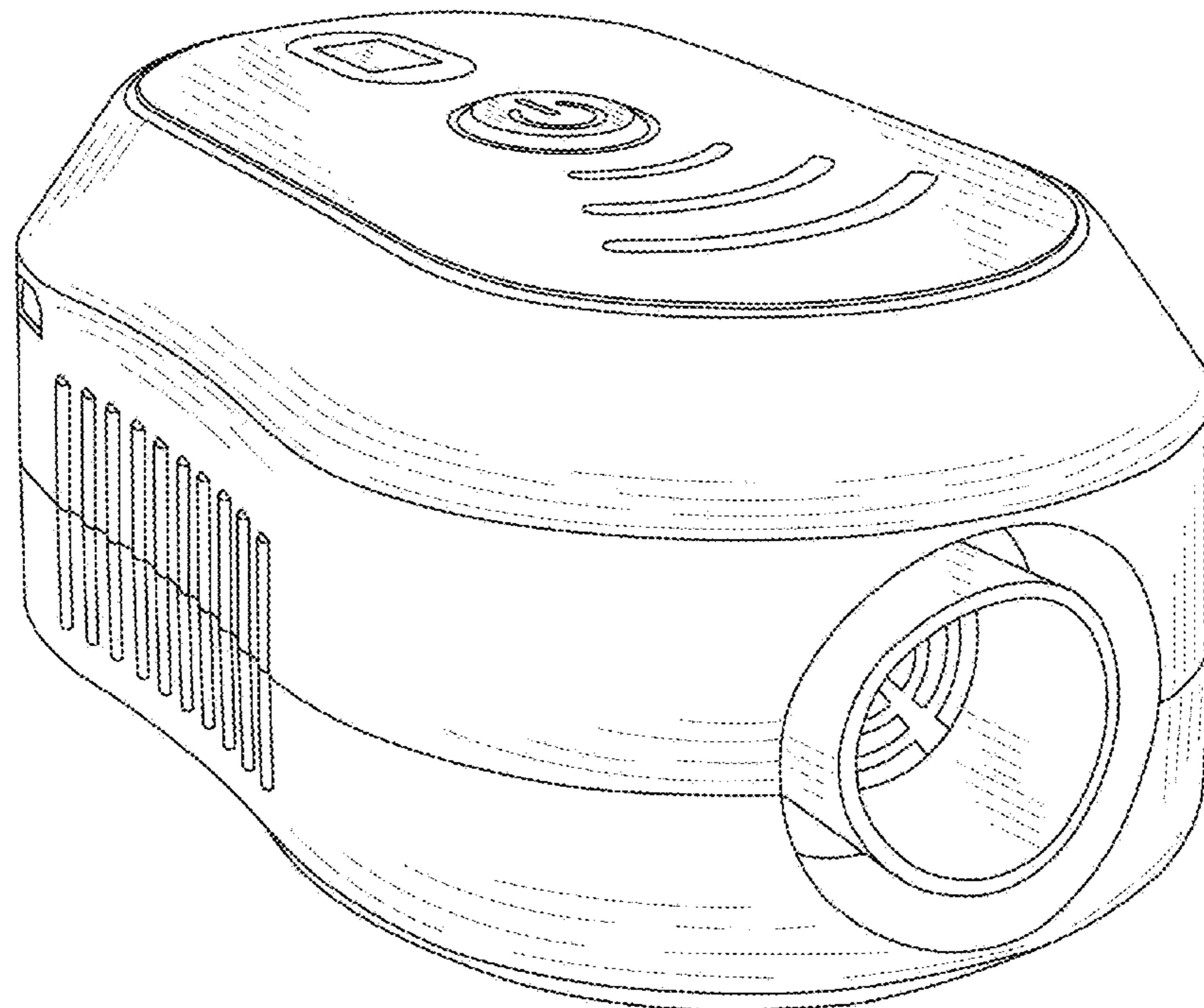
U.S. PATENT DOCUMENTS

**DESCRIPTION**

D642,594 S *	8/2011	Mattson	.....	D15/7
D725,768 S *	3/2015	Eustis	.....	24/108
D745,137 S *	12/2015	Pipe	.....	D24/108
D776,802 S *	1/2017	Loew	.....	D24/108
D790,683 S *	6/2017	Formica	.....	D24/108
D791,303 S *	7/2017	Pipe	.....	D24/108
D854,705 S *	7/2019	Ouyang	.....	D24/217
D865,156 S *	10/2019	Formica	.....	D24/108
D873,408 S *	1/2020	Li	.....	D24/108
D874,641 S *	2/2020	Hulford	.....	D24/108
D874,642 S *	2/2020	Tanzbro	.....	D24/108
2013/0156654 A1 *	6/2013	Shim	.....	C02F 1/325 422/186.3

FIG. 1 is a perspective view of a pipe-sterilizing equipment showing my new design;  
FIG. 2 is a front elevation view thereof;  
FIG. 3 is a rear elevation view thereof;  
FIG. 4 is a left side elevation view thereof;  
FIG. 5 is a right side elevation view thereof;  
FIG. 6 is a top plan view thereof; and,  
FIG. 7 is a bottom plan view thereof.

**1 Claim, 7 Drawing Sheets**



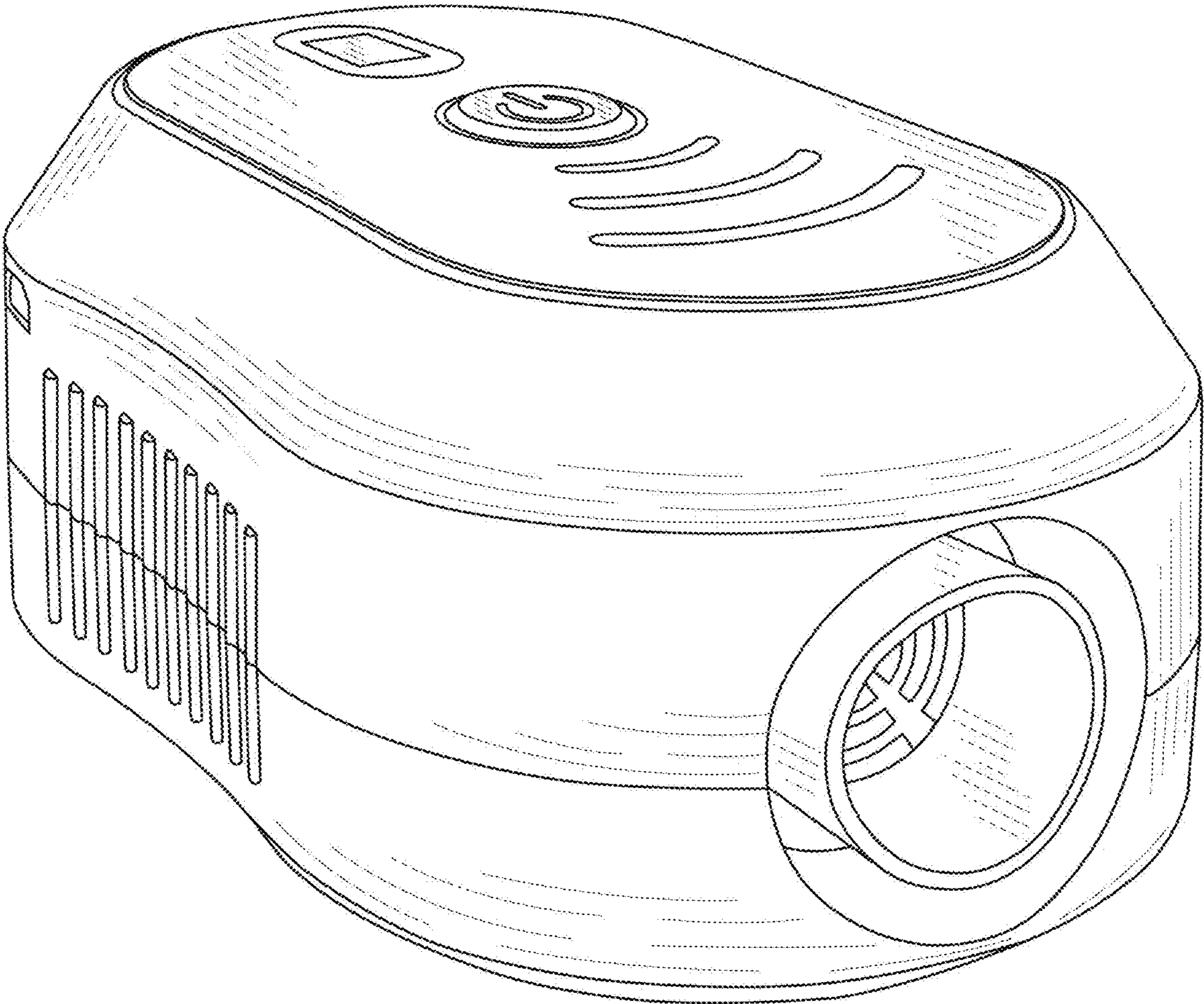


FIG.1

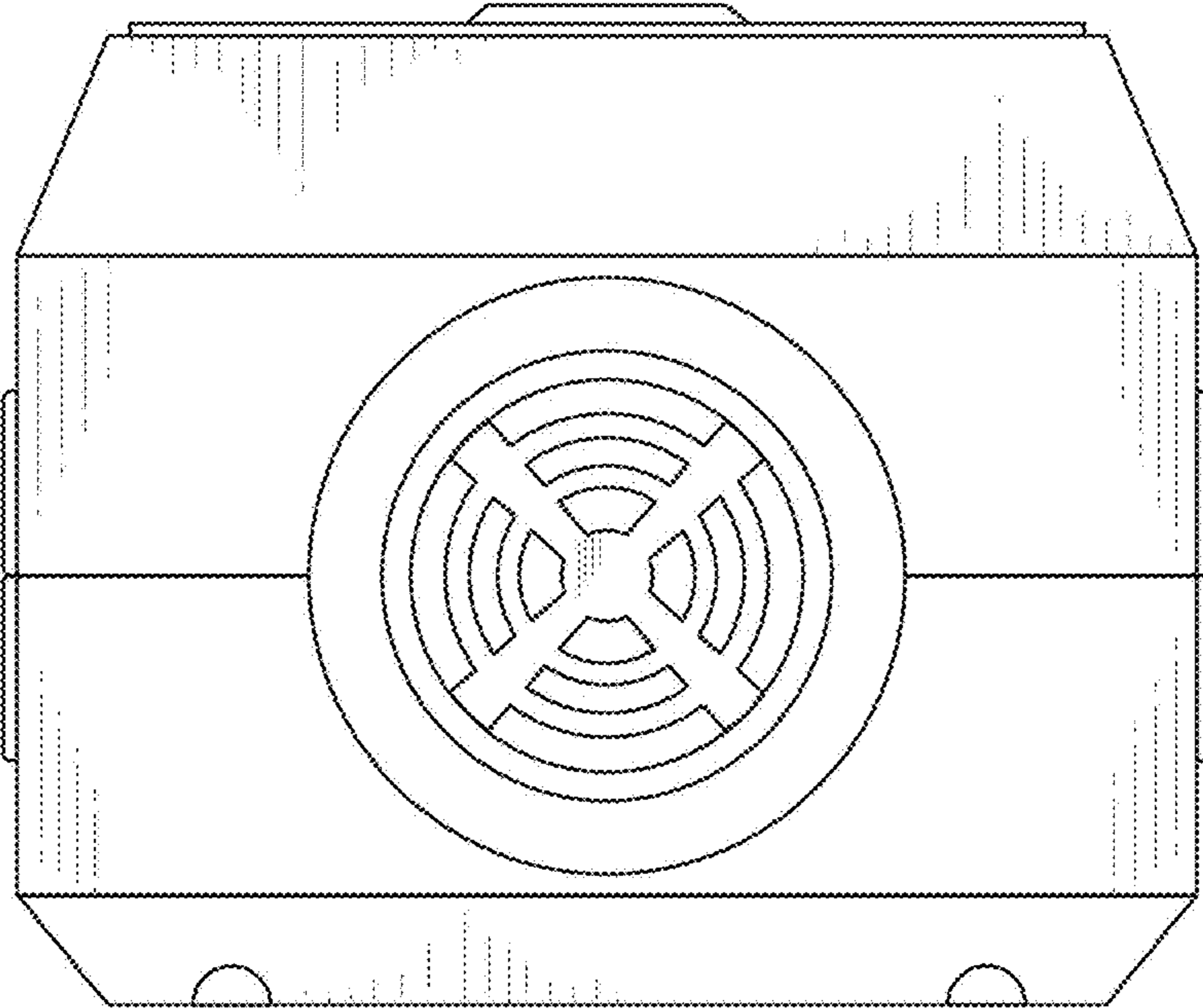


FIG.2

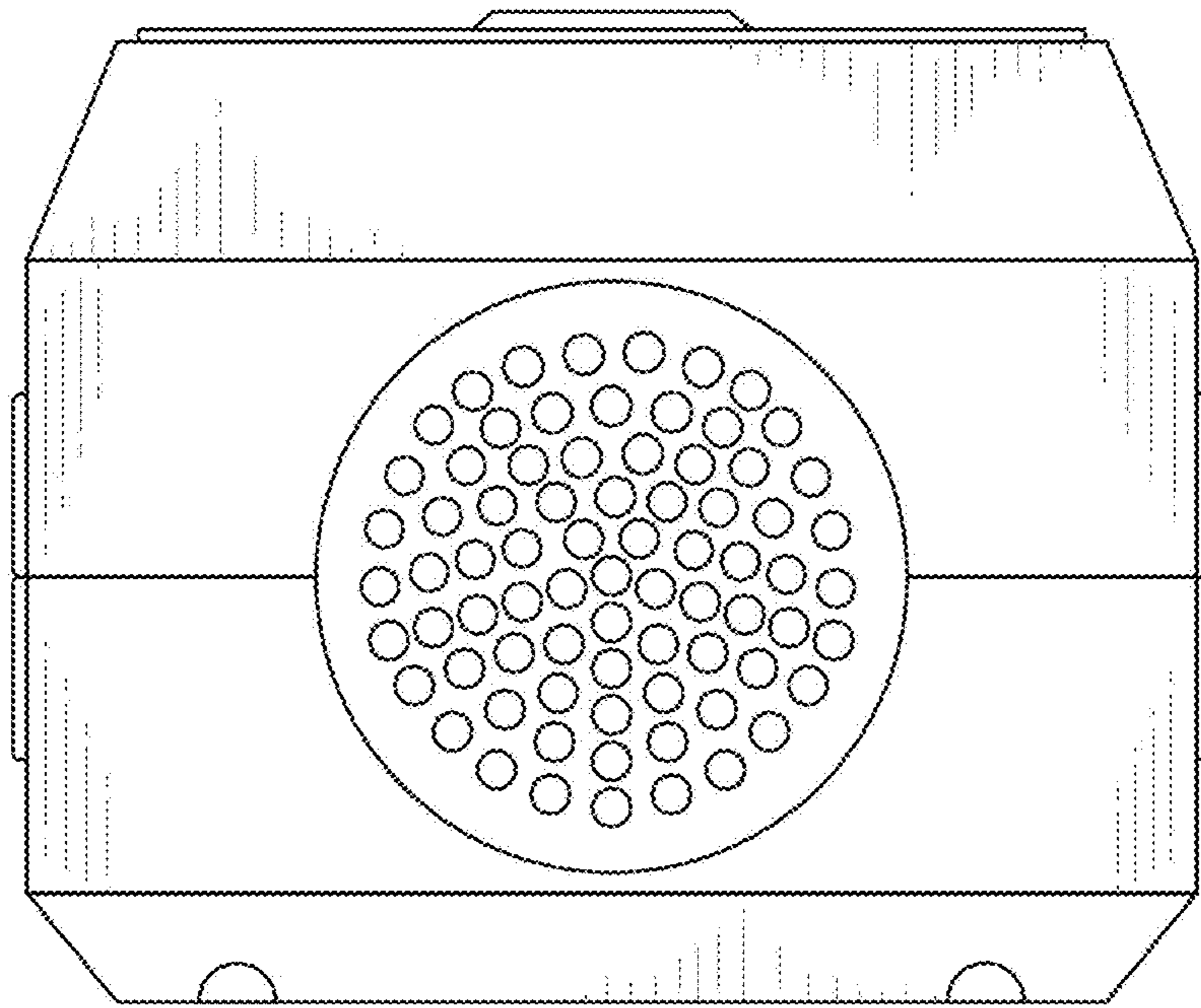


FIG.3

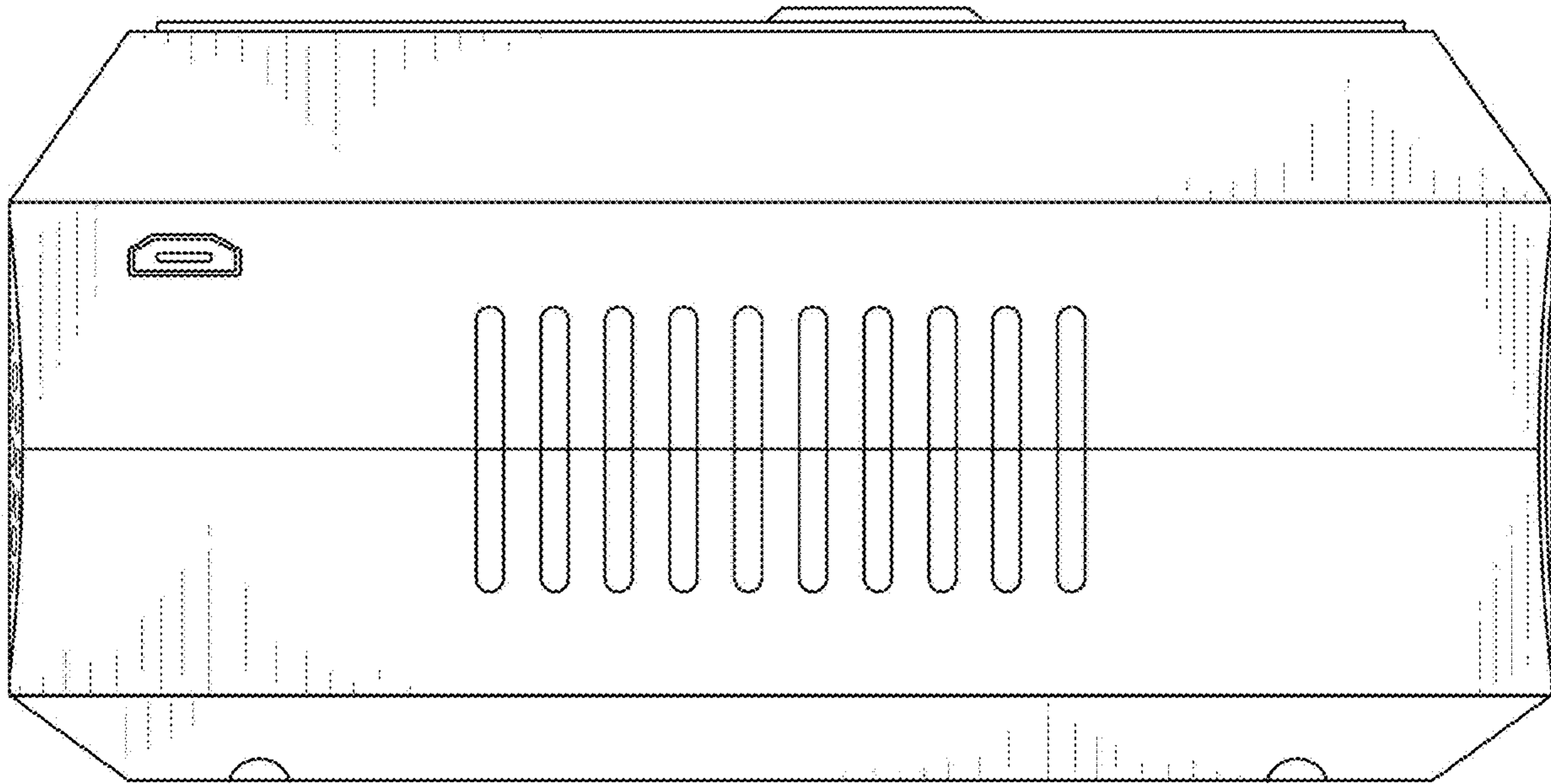


FIG.4

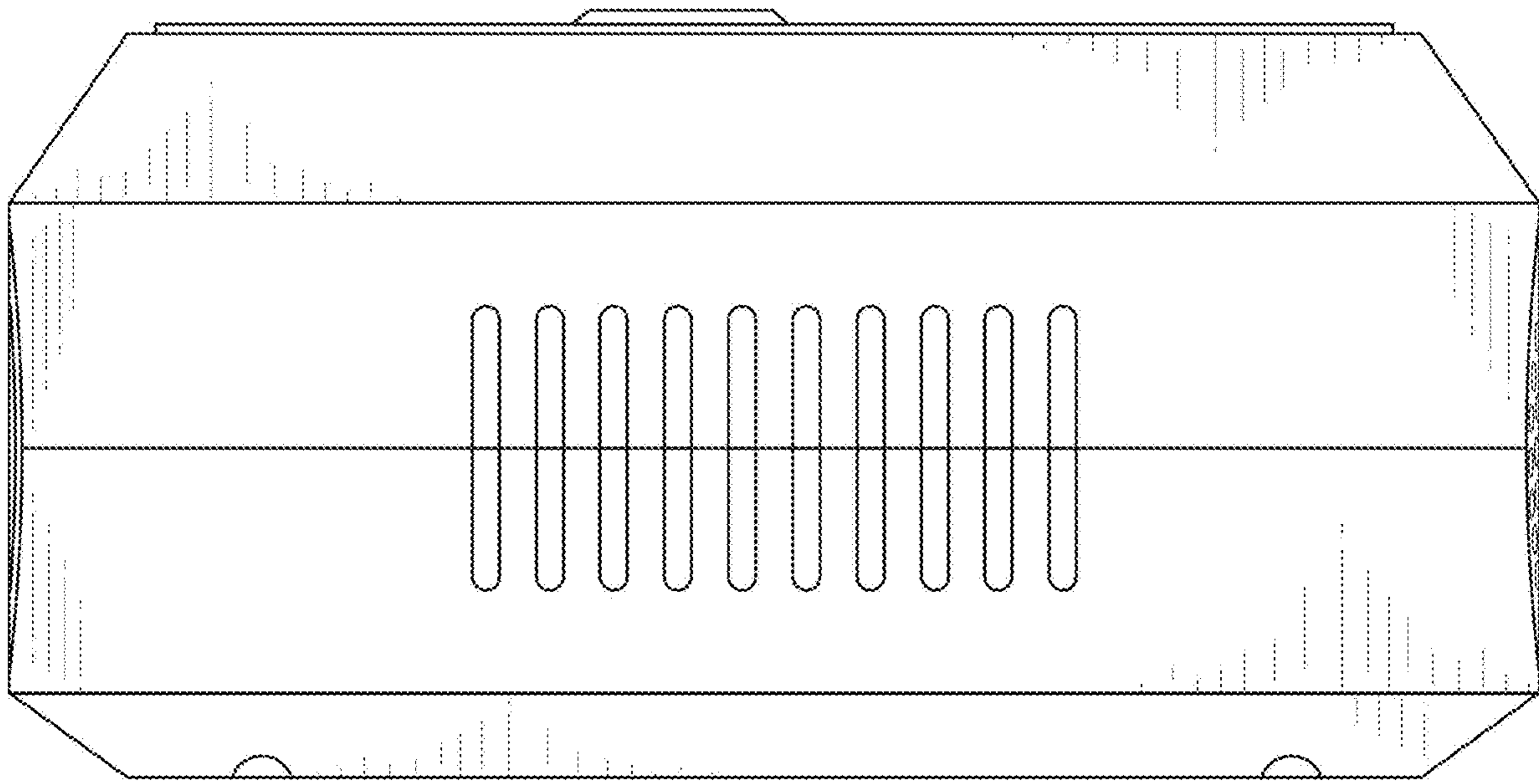


FIG.5

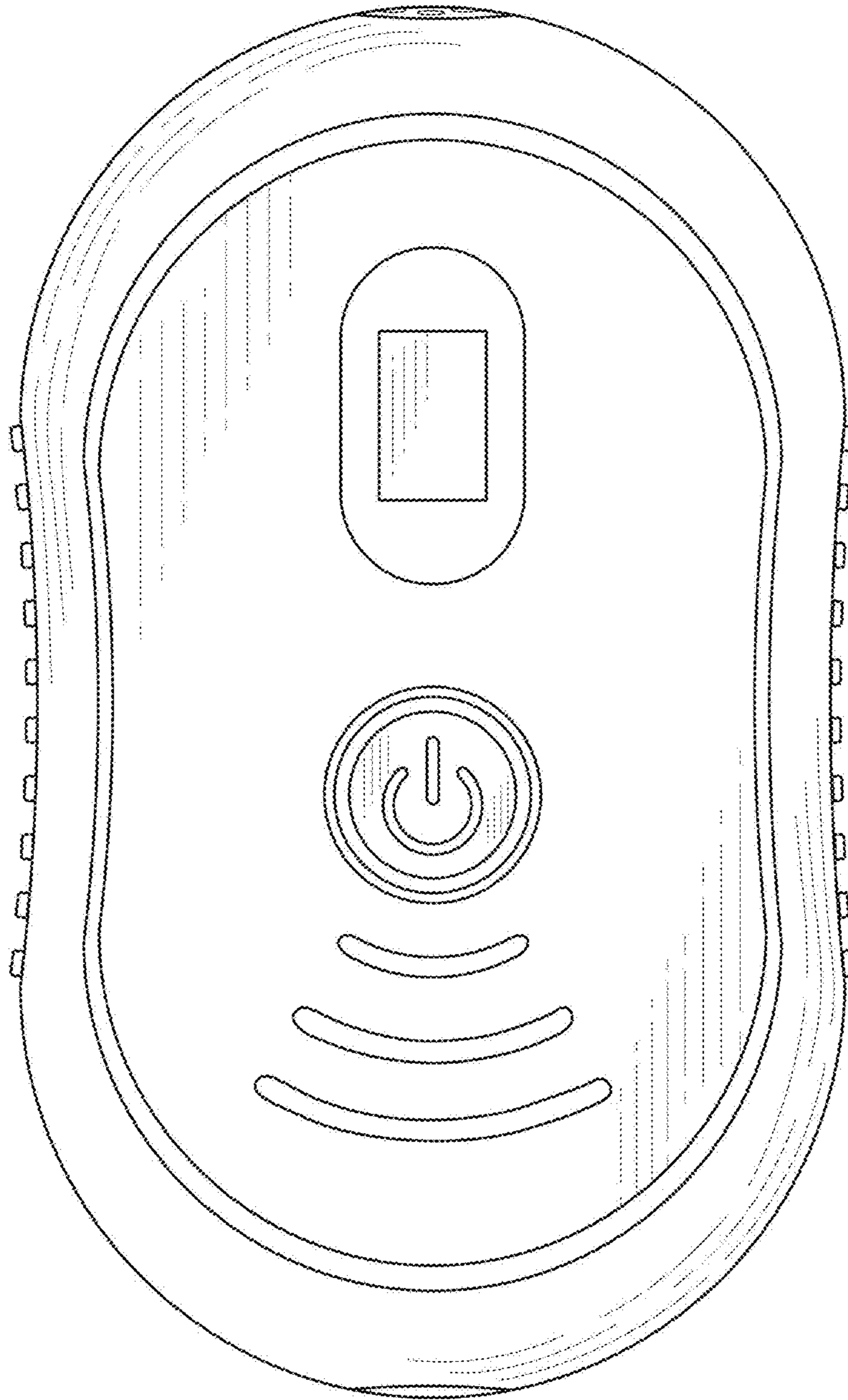


FIG.6

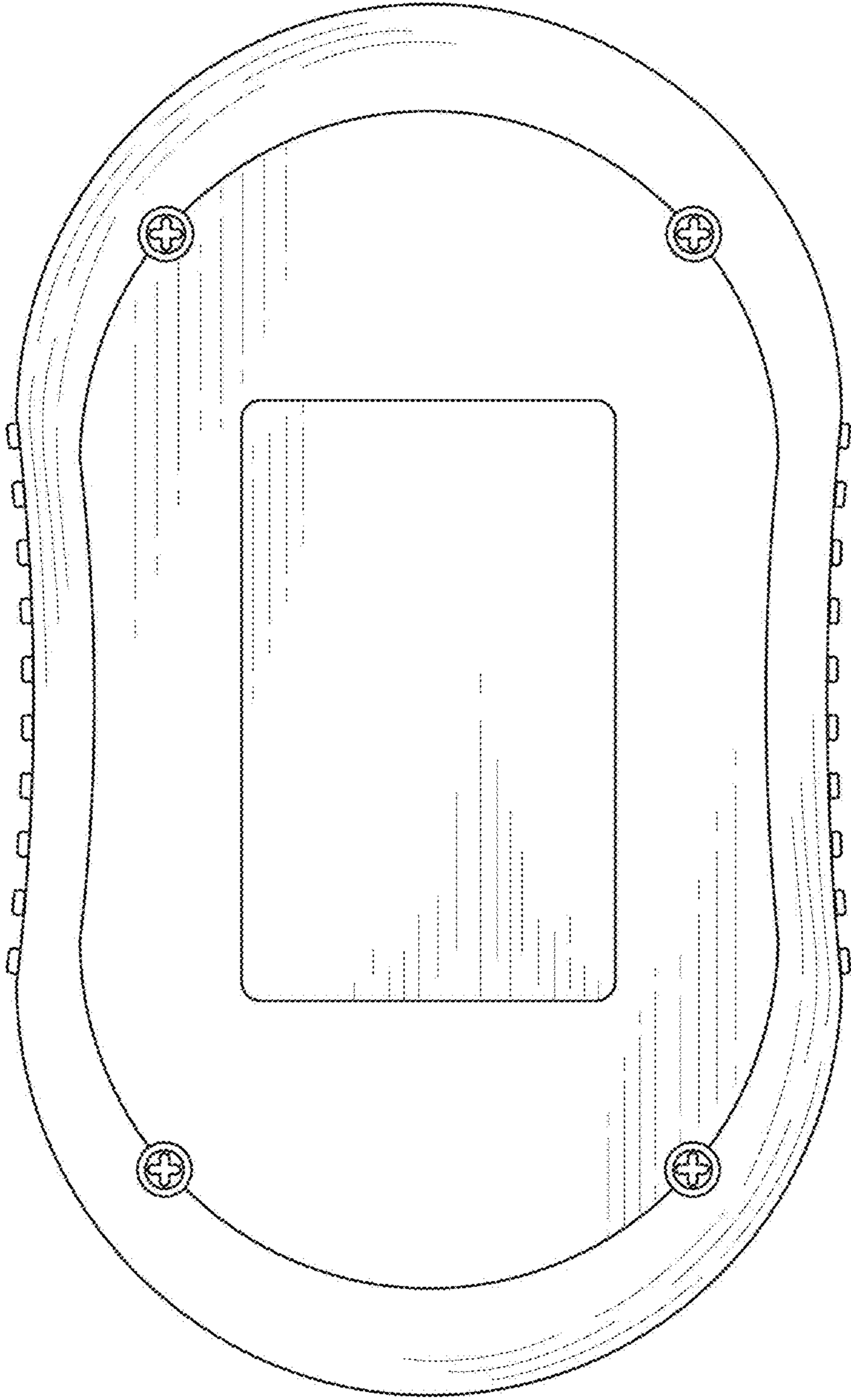


FIG.7