



US00D893041S

(12) **United States Design Patent**
Qiu

(10) **Patent No.:** **US D893,041 S**

(45) **Date of Patent:** **** Aug. 11, 2020**

(54) **SEX TOY**

D840,476 S * 2/2019 Sheldon D21/513
D842,278 S * 3/2019 Tong D14/227
D846,753 S * 4/2019 Cheung D24/215

(71) Applicant: **Shenzhen Tenghangda Technology Co., Ltd.**, Shenzhen (CN)

(Continued)

(72) Inventor: **Chongde Qiu**, Guangdong (CN)

OTHER PUBLICATIONS

(**) Term: **15 Years**

Amazon, "G S Potter Vibrator", Mar. 7, 2020. https://www.amazon.com/Th-rsuting-Ro-tating-VibraAtor-Medical-Grade-Delivery/dp/B08263TX3Y/ref=sr_1_6?keywords=telescopic+dildo&qid=1583596225&sr=8-6. Shown on p. 1. (Year: 2020).*

(21) Appl. No.: **29/716,051**

(22) Filed: **Dec. 6, 2019**

(51) **LOC (12) Cl.** **28-03**

(52) **U.S. Cl.**
USPC **D24/215**

(58) **Field of Classification Search**
USPC D24/133, 200, 211, 212, 213, 214, 215,
D24/216; D30/160; D8/14; D14/225,
D14/226, 227

Primary Examiner — Cynthia Ramirez
Assistant Examiner — Michael A Maharajh
(74) *Attorney, Agent, or Firm* — ZANIP

CPC A61H 1/00; A61H 7/003; A61H 7/007;
A61H 19/32; A61H 19/40; A61H 19/34;
A61H 19/50; A61H 19/00; H04R 1/406
See application file for complete search history.

(57) **CLAIM**

The ornamental design for a sex toy, as shown and described.

DESCRIPTION

(56) **References Cited**

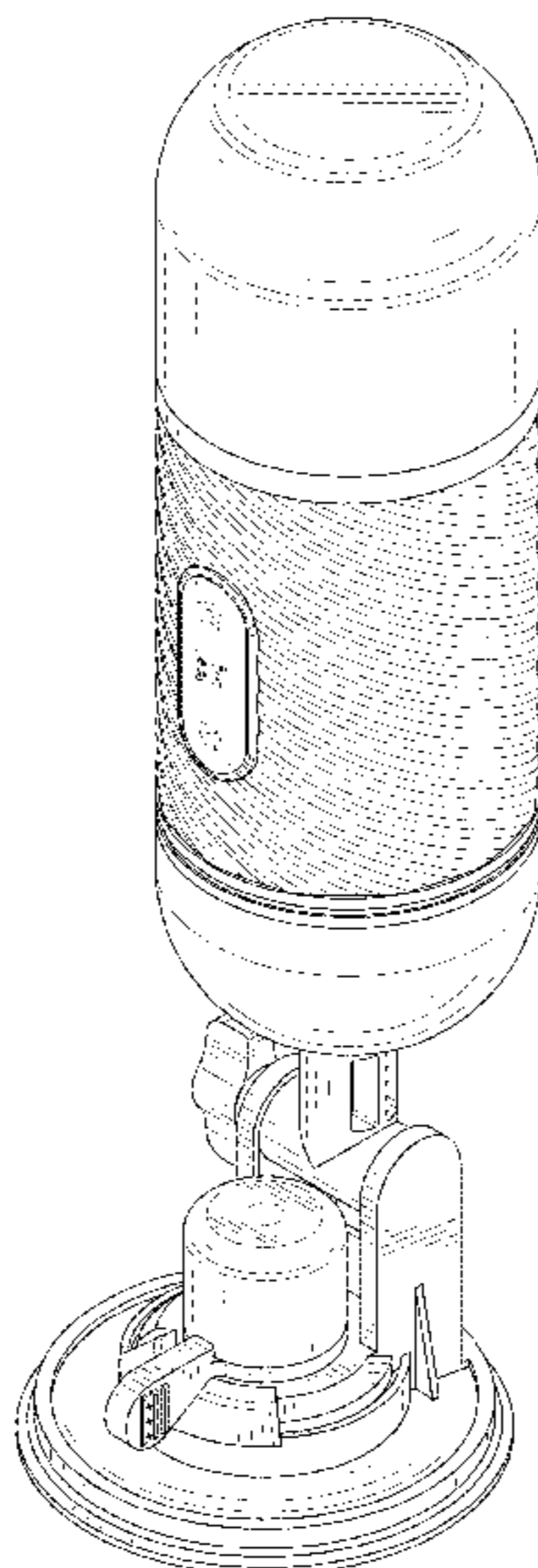
U.S. PATENT DOCUMENTS

- D464,041 S * 10/2002 Ming-Cheng D14/227
- D626,248 S * 10/2010 Gotzen D24/215
- D631,973 S * 2/2011 Imboden D24/215
- D633,216 S * 2/2011 Stevens D24/215
- D652,945 S 1/2012 Chen
- 8,439,853 B2 * 5/2013 Shimada A61F 7/007
601/15
- D712,564 S * 9/2014 Nan D24/215
- D719,665 S * 12/2014 Callow D24/214
- D826,418 S * 8/2018 Lad D24/215
- D833,028 S * 11/2018 Olivares D24/215
- D834,004 S * 11/2018 Chen D14/226
- D834,213 S * 11/2018 Marshall D24/215
- D834,214 S * 11/2018 Marshall D24/215
- D835,612 S * 12/2018 Tong D14/225
- D836,090 S * 12/2018 Li D14/227
- D837,995 S * 1/2019 Josselyn D24/215

FIG. 1 is a front and top perspective view of a sex toy, showing my new design;
FIG. 2 is a rear and bottom perspective view thereof;
FIG. 3 is a front elevational view thereof;
FIG. 4 is a rear elevational view thereof;
FIG. 5 is a left side elevational view thereof;
FIG. 6 is a right side elevational view thereof;
FIG. 7 is a top plan view thereof;
FIG. 8 is a bottom plan view thereof; and
FIG. 9 is an enlarged view of a portion indicated in FIG. 2;
FIG. 10 is an exploded view thereof; and,
FIG. 11 is another perspective view thereof shown in an alternate configuration.

The broken lines shown in the drawings are for the purposes of illustrating portions of the sex toy, which form no part of the claimed design. The penis attachment shown in FIG. 11 in broken lines is for the purpose of illustrating environmental structure, which form no part of the claimed design.

1 Claim, 11 Drawing Sheets



(56)

References Cited

U.S. PATENT DOCUMENTS

D851,073 S * 6/2019 Tong D14/227
D868,754 S * 12/2019 Chou D14/225
D868,987 S * 12/2019 Cheung D24/215
D868,989 S * 12/2019 Marshall D24/215
D874,673 S * 2/2020 Cheung D24/215
D874,674 S * 2/2020 Cheung D24/215
D874,675 S * 2/2020 Cheung D24/215
2008/0208085 A1 * 8/2008 Nan A61H 7/005
601/46
2012/0165710 A1 * 6/2012 Nichols A61H 7/005
601/72
2014/0058195 A1 * 2/2014 Jarzynski A61F 5/00
600/38
2014/0128780 A1 * 5/2014 Kennedy A61B 17/12131
601/18
2015/0283025 A1 * 10/2015 Ledany A61H 23/0263
601/18
2019/0246191 A1 * 8/2019 Sano H04R 1/08

* cited by examiner

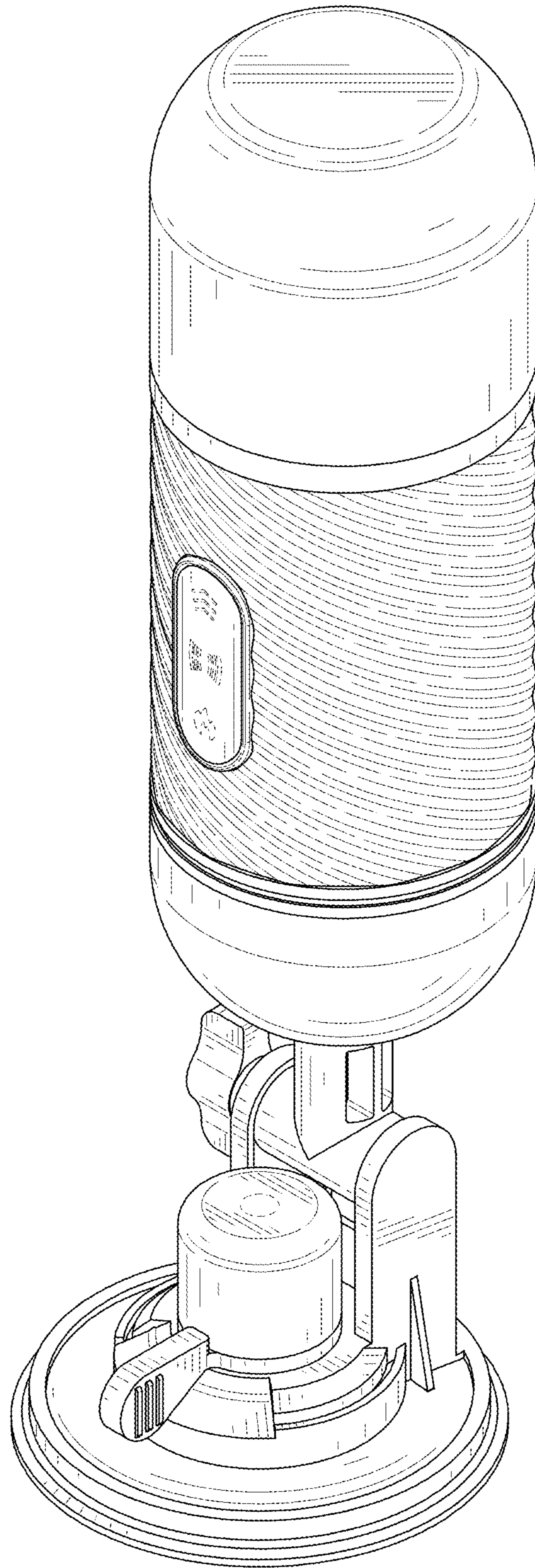


FIG. 1

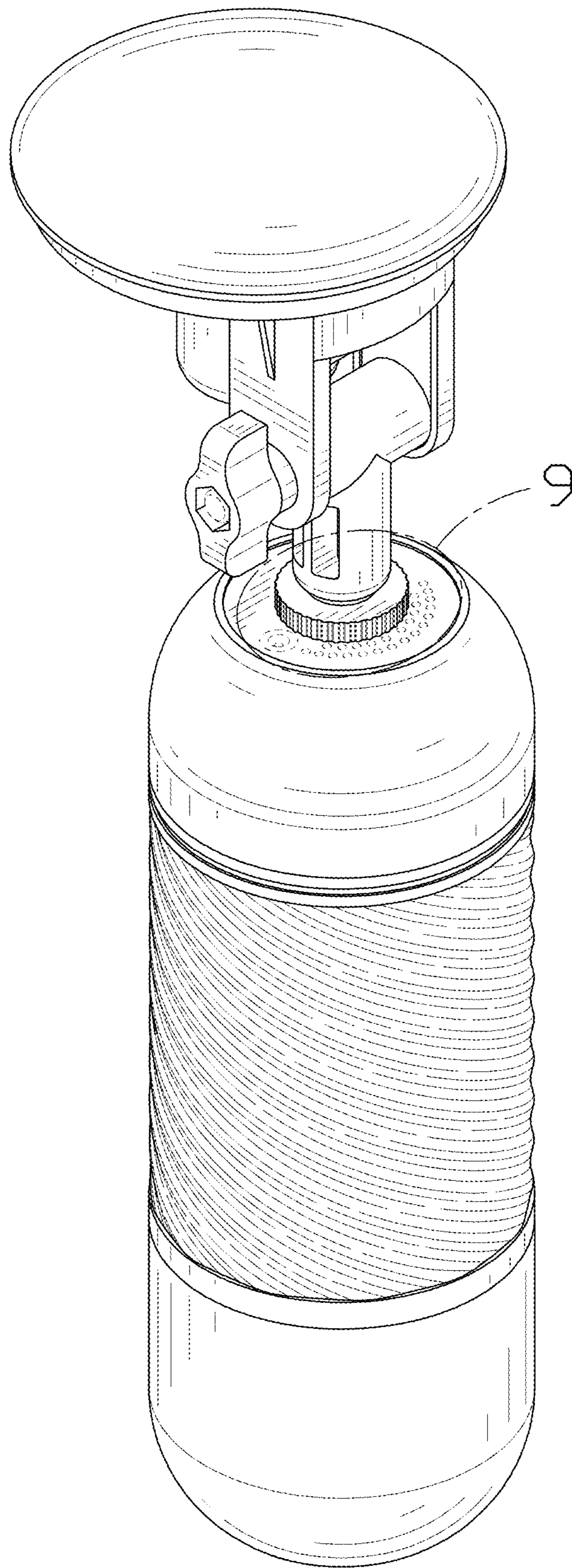


FIG. 2

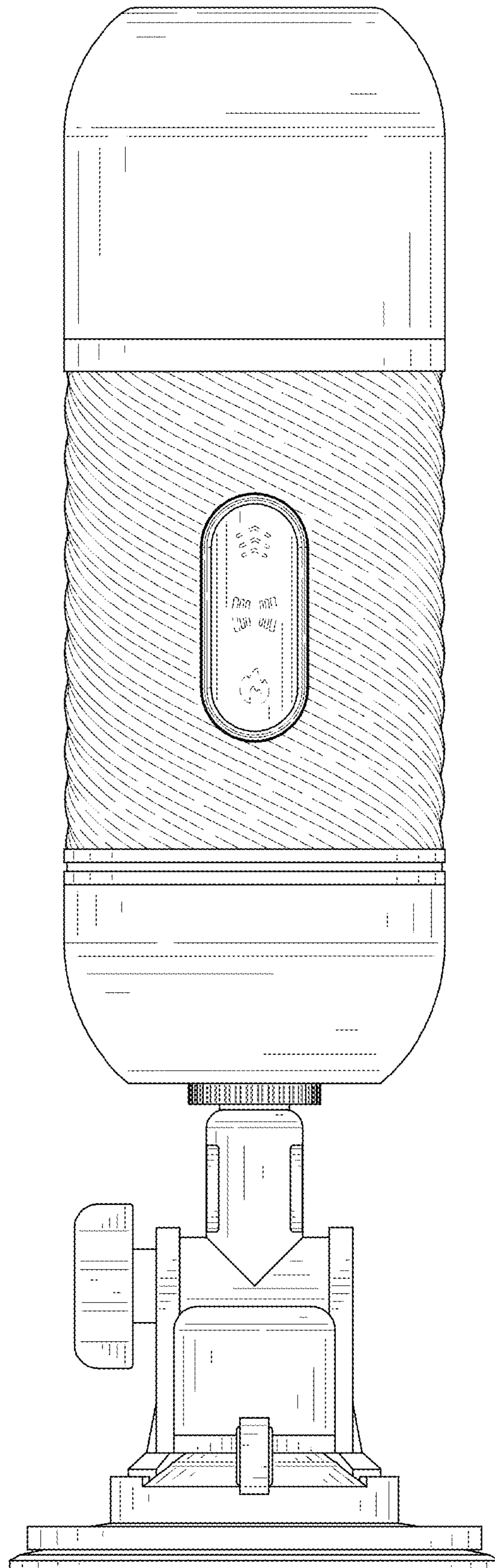


FIG. 3

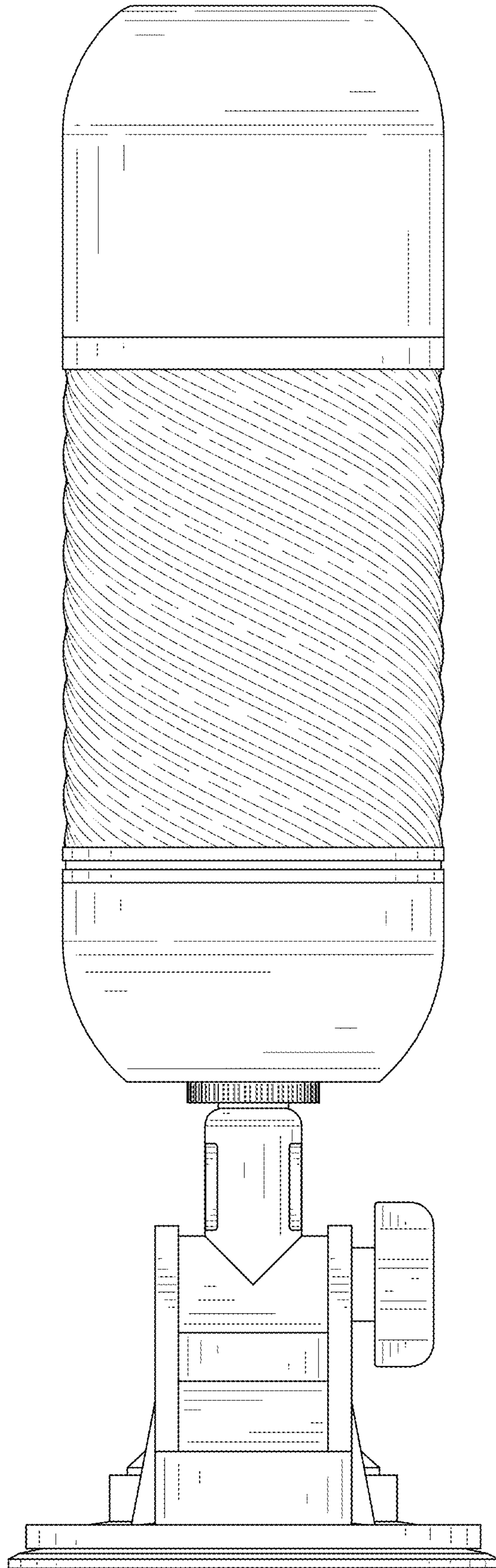


FIG. 4

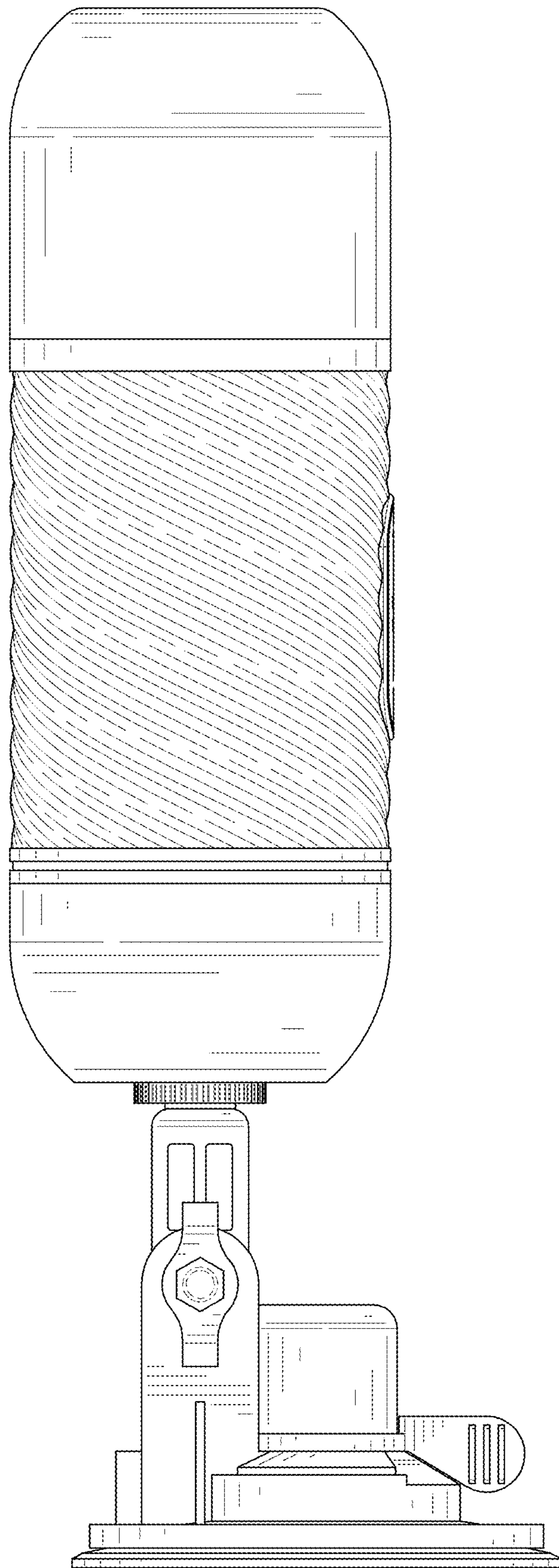


FIG. 5

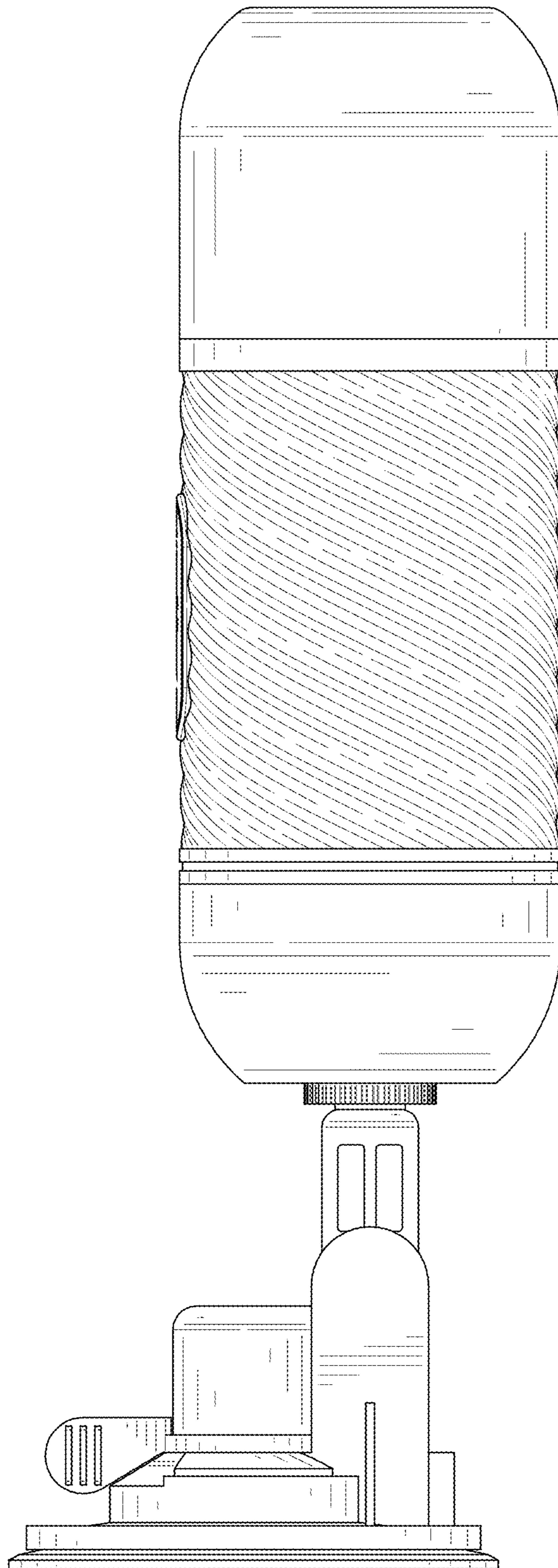


FIG. 6

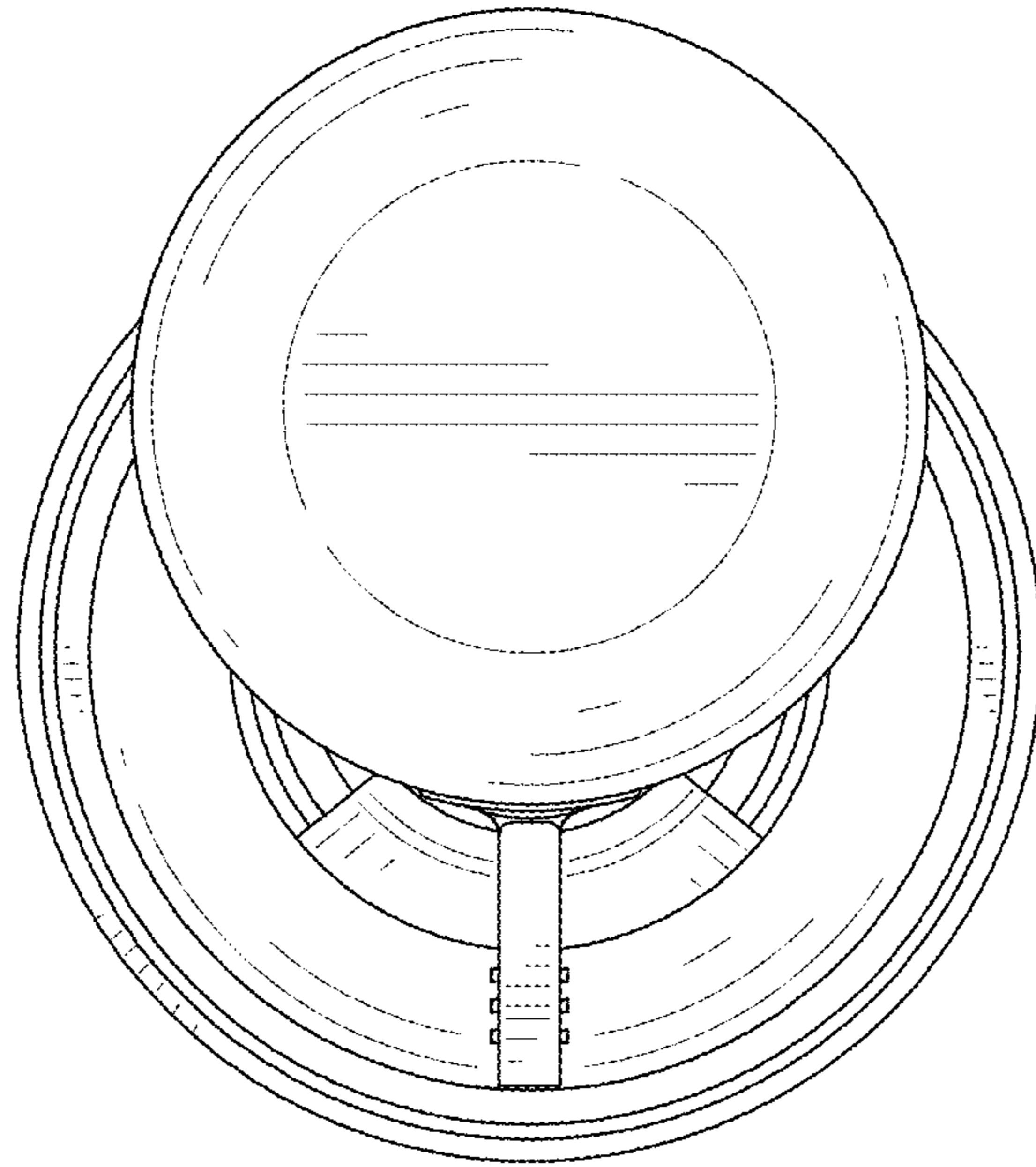


FIG. 7

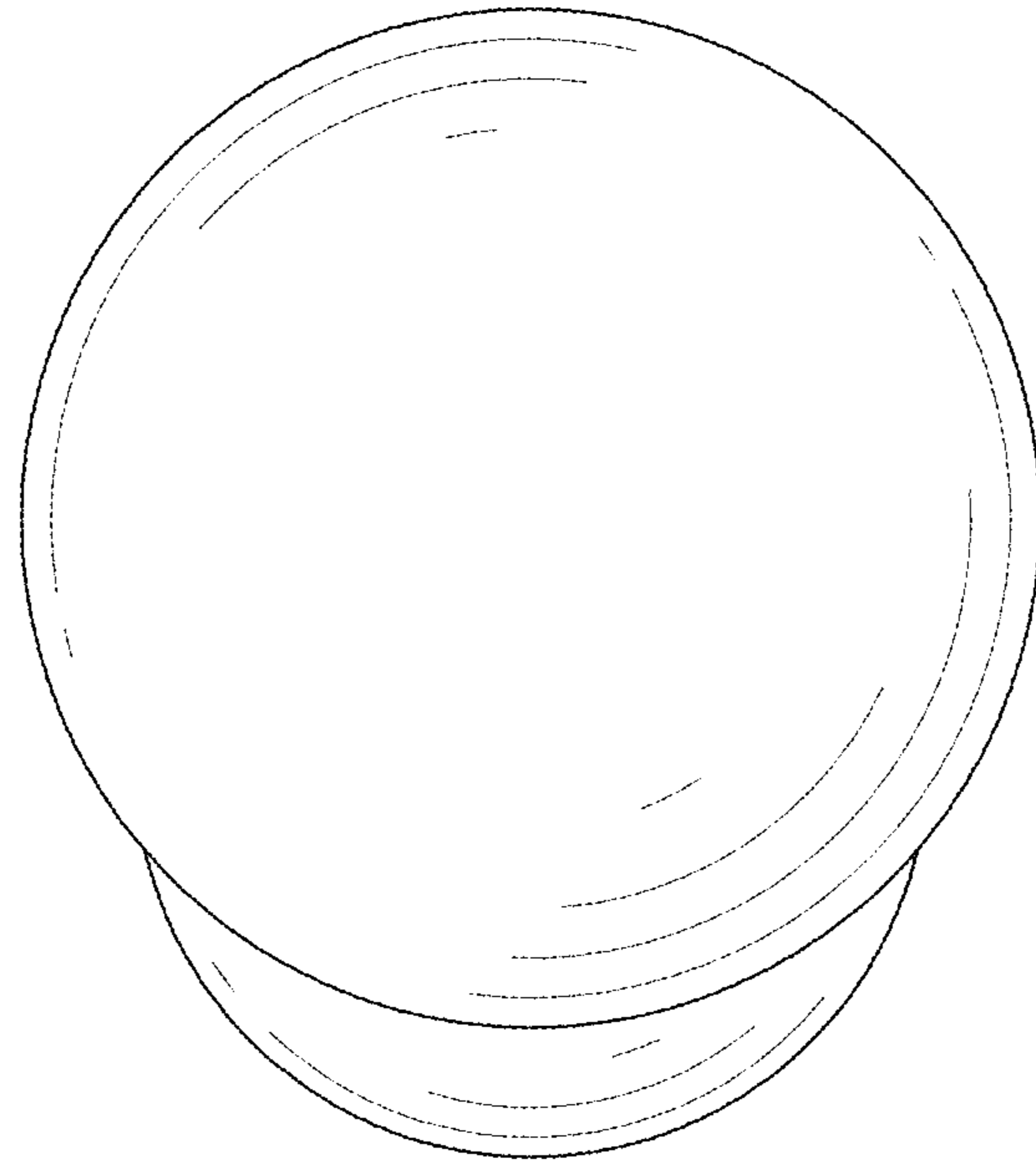


FIG. 8

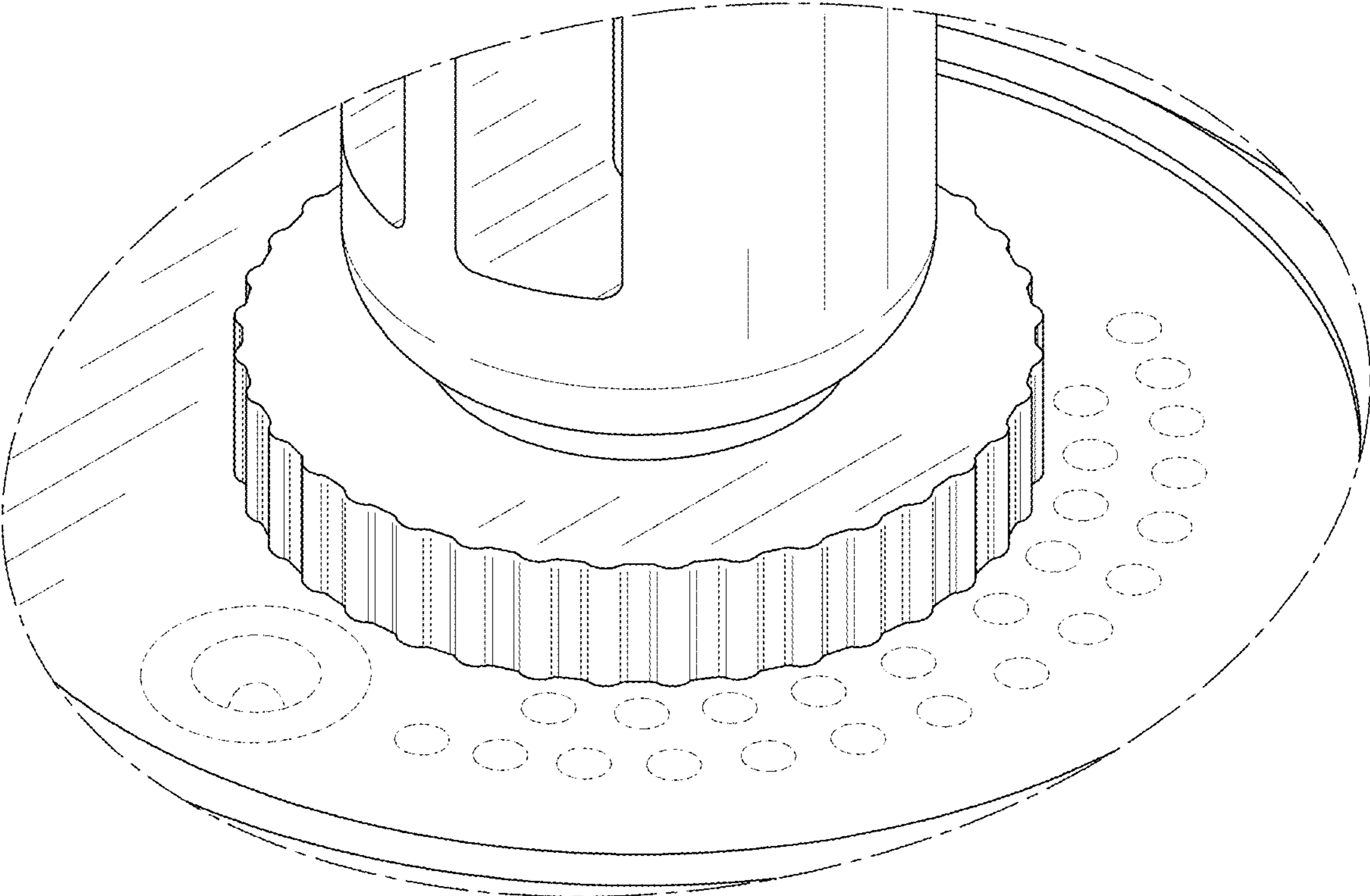


FIG. 9

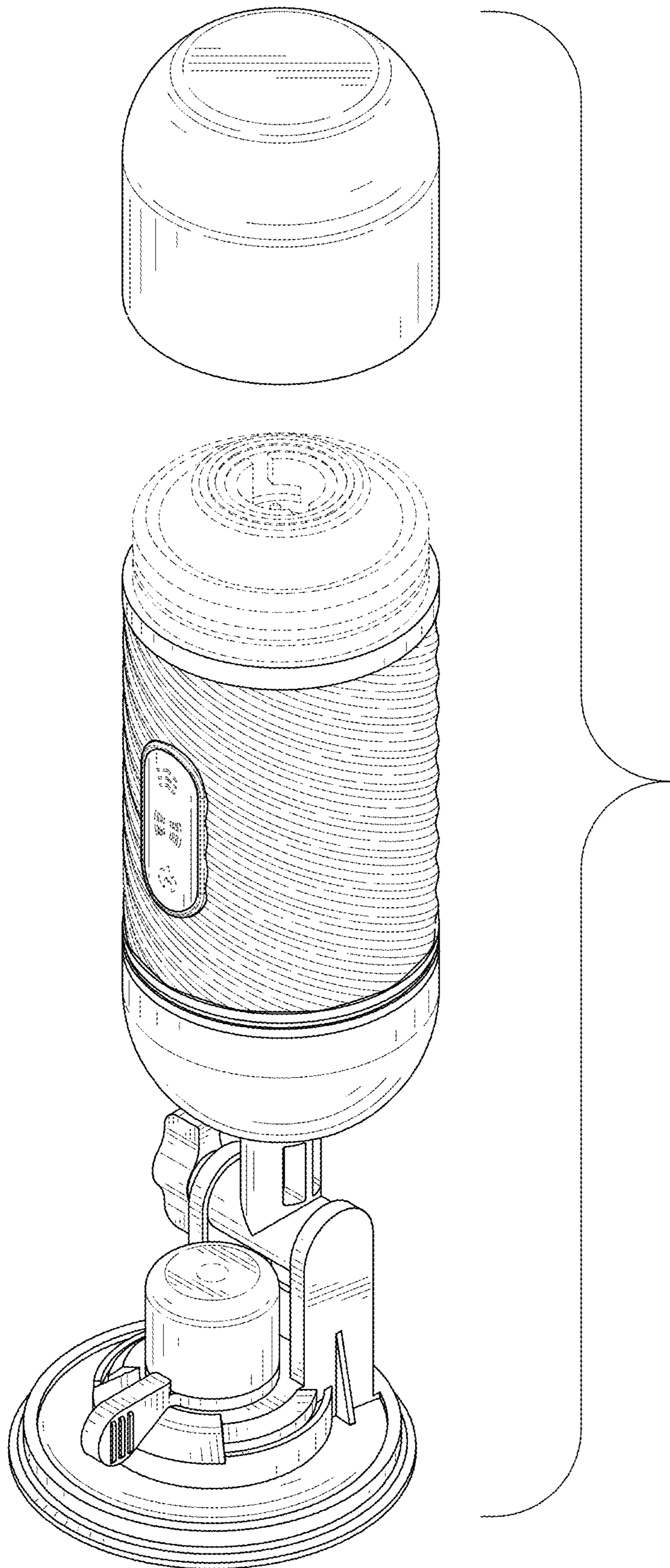


FIG. 10

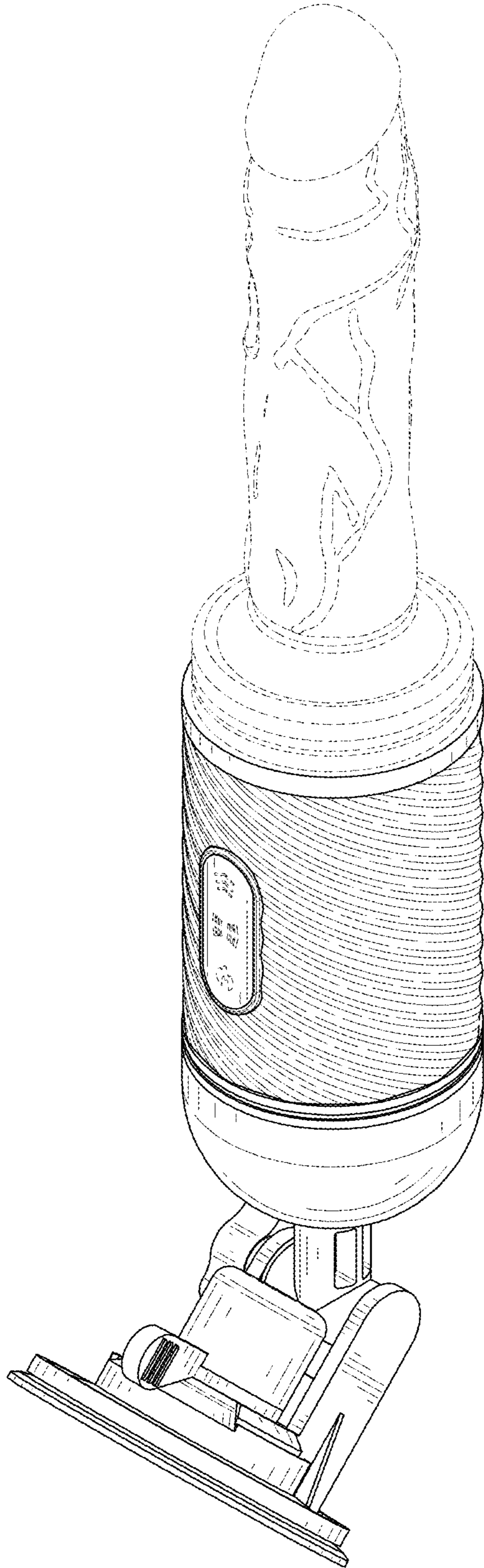


FIG. 11