



US00D893039S

(12) **United States Design Patent** (10) **Patent No.:** **US D893,039 S**  
**Harmon** (45) **Date of Patent:** **\*\* \*Aug. 11, 2020**

(54) **LAMP WITH STAND**  
(71) Applicant: **Verilux, Inc.**, Waitsfield, VT (US)  
(72) Inventor: **Nicholas Harmon**, Waitsfield, VT (US)  
(73) Assignee: **Verilux, Inc.**, Waitsfield, VT (US)  
(\* ) Notice: This patent is subject to a terminal disclaimer.

(\*\*) Term: **15 Years**

(21) Appl. No.: **29/667,748**

(22) Filed: **Oct. 24, 2018**

(51) **LOC (12) Cl.** ..... **24-01**

(52) **U.S. Cl.**  
USPC ..... **D24/209**

(58) **Field of Classification Search**  
USPC ..... D24/107, 186, 158, 231, 200, 209, 210;  
D26/29, 37, 39, 63, 104; D28/9, 44.1;  
D14/341, 138 R, 138 AA, 138 G  
CPC ..... A61N 5/0616; A61N 5/0618; A61N  
2005/0652; A61N 2005/0654; A61N  
2005/0642; A61N 2005/0627; A61N  
2005/0644; A61N 2005/0636; A61N  
2005/0626; A61B 2018/00452; A61B  
2018/1807

See application file for complete search history.

(56) **References Cited**

**U.S. PATENT DOCUMENTS**

D466,115 S \* 11/2002 Hawkins ..... D14/341  
D558,460 S \* 1/2008 Yu ..... D14/341  
D601,262 S \* 9/2009 Okawa ..... D24/176  
D653,348 S \* 1/2012 Barker ..... D24/186  
D695,410 S \* 12/2013 Becker ..... D14/371  
D704,851 S \* 5/2014 Douglas ..... D24/209  
D741,497 S \* 10/2015 Aber ..... D24/167  
D745,167 S \* 12/2015 Canas ..... D10/78

D748,271 S \* 1/2016 Clowry ..... D24/186  
D760,398 S \* 6/2016 Douglas ..... D24/210  
D760,913 S \* 7/2016 Douglas ..... D24/210  
D788,047 S \* 5/2017 Fremuth ..... D13/162  
D791,140 S \* 7/2017 Nuk ..... D14/447  
D807,522 S \* 1/2018 Berke ..... D24/210  
D835,291 S \* 12/2018 Lei ..... D24/209  
D844,791 S \* 4/2019 Henderson ..... D24/186  
D857,220 S \* 8/2019 Chew ..... D24/210

**OTHER PUBLICATIONS**

HappyLight Therapy Lamps & Boxes, posted at verilux.com, retrieved Dec. 4, 2019, no posting date, online, URL: <https://verilux.com/collections/happylight-therapy-lamps-boxes> (Year: 2019).\*

\* cited by examiner

*Primary Examiner* — Lilyana Bekic  
*Assistant Examiner* — Mary Shannon Malley  
(74) *Attorney, Agent, or Firm* — Whitmyer IP Group LLC

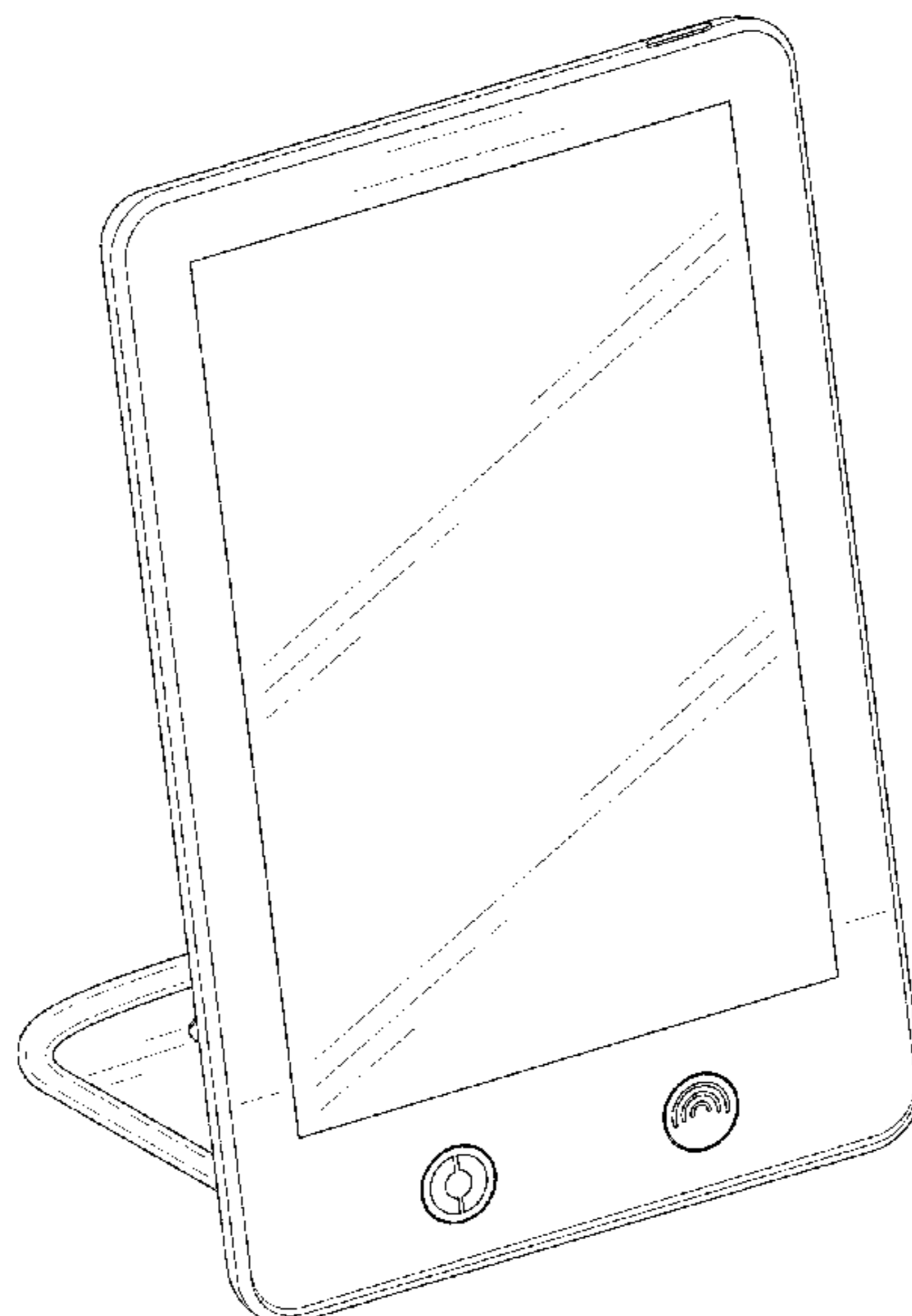
(57) **CLAIM**

The ornamental design for a lamp with stand, as shown and described.

**DESCRIPTION**

FIG. 1 is a perspective view of a lamp with stand in accordance with the new design;  
FIG. 2 is a back perspective view thereof;  
FIG. 3 is a front view thereof;  
FIG. 4 is a back view thereof;  
FIG. 5 is a side view thereof;  
FIG. 6 is a side view thereof;  
FIG. 7 is a top view thereof;  
FIG. 8 is a bottom view thereof;  
FIG. 9 is a back perspective view thereof, with the stand shown in an alternate position; and,  
FIG. 10 is a back view thereof, with the stand shown in an alternate position.

**1 Claim, 9 Drawing Sheets**



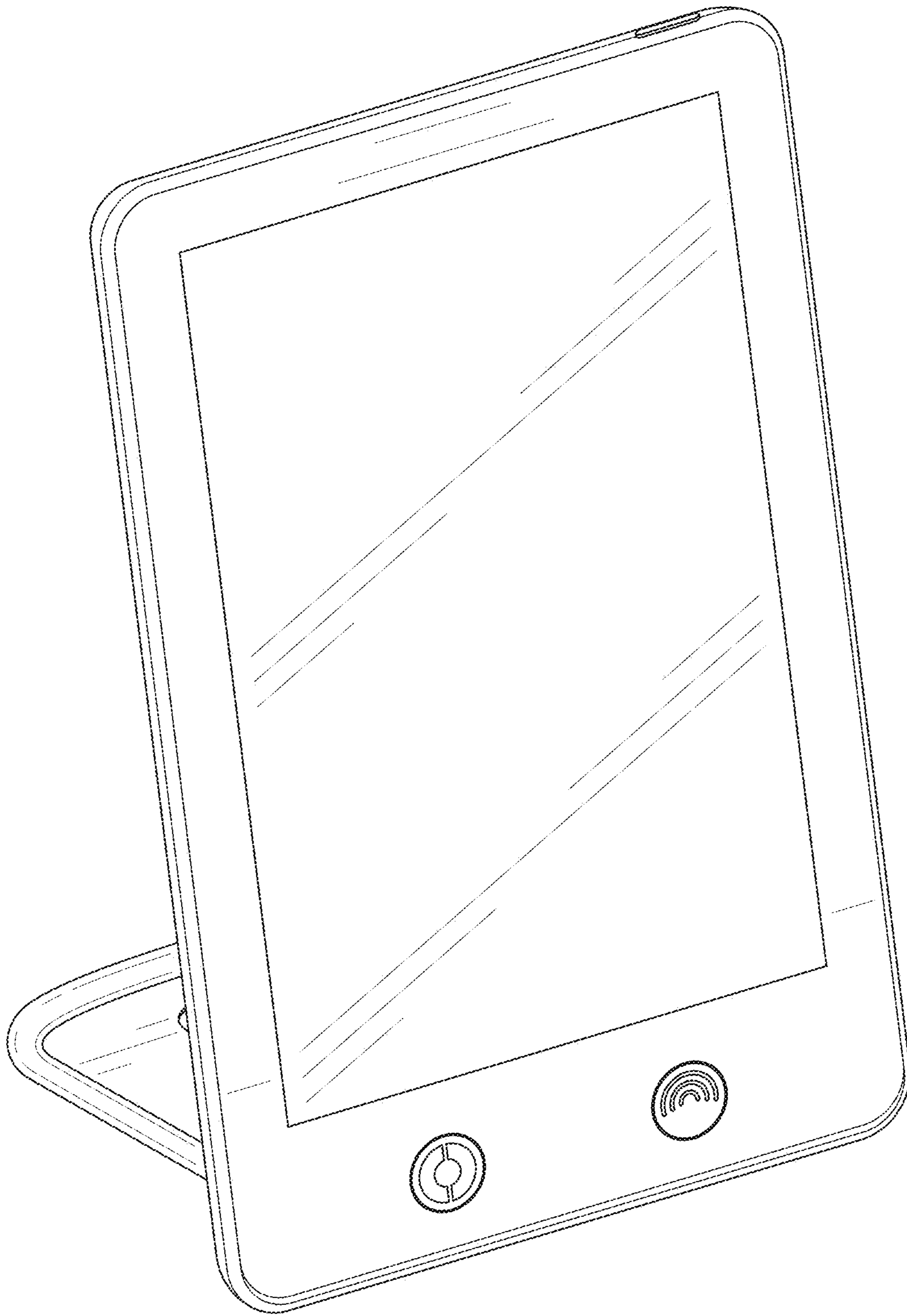


FIG. 1

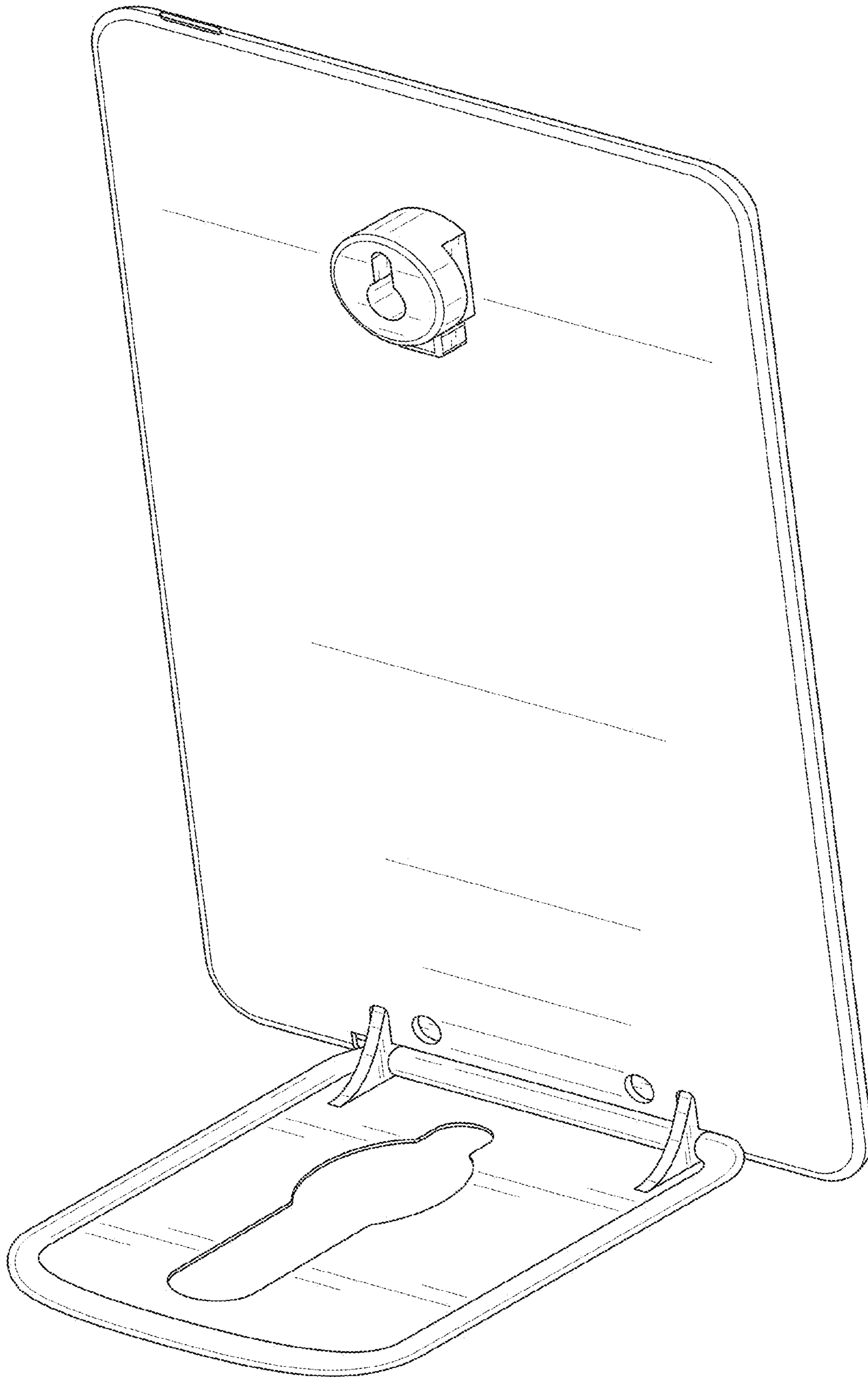


FIG. 2

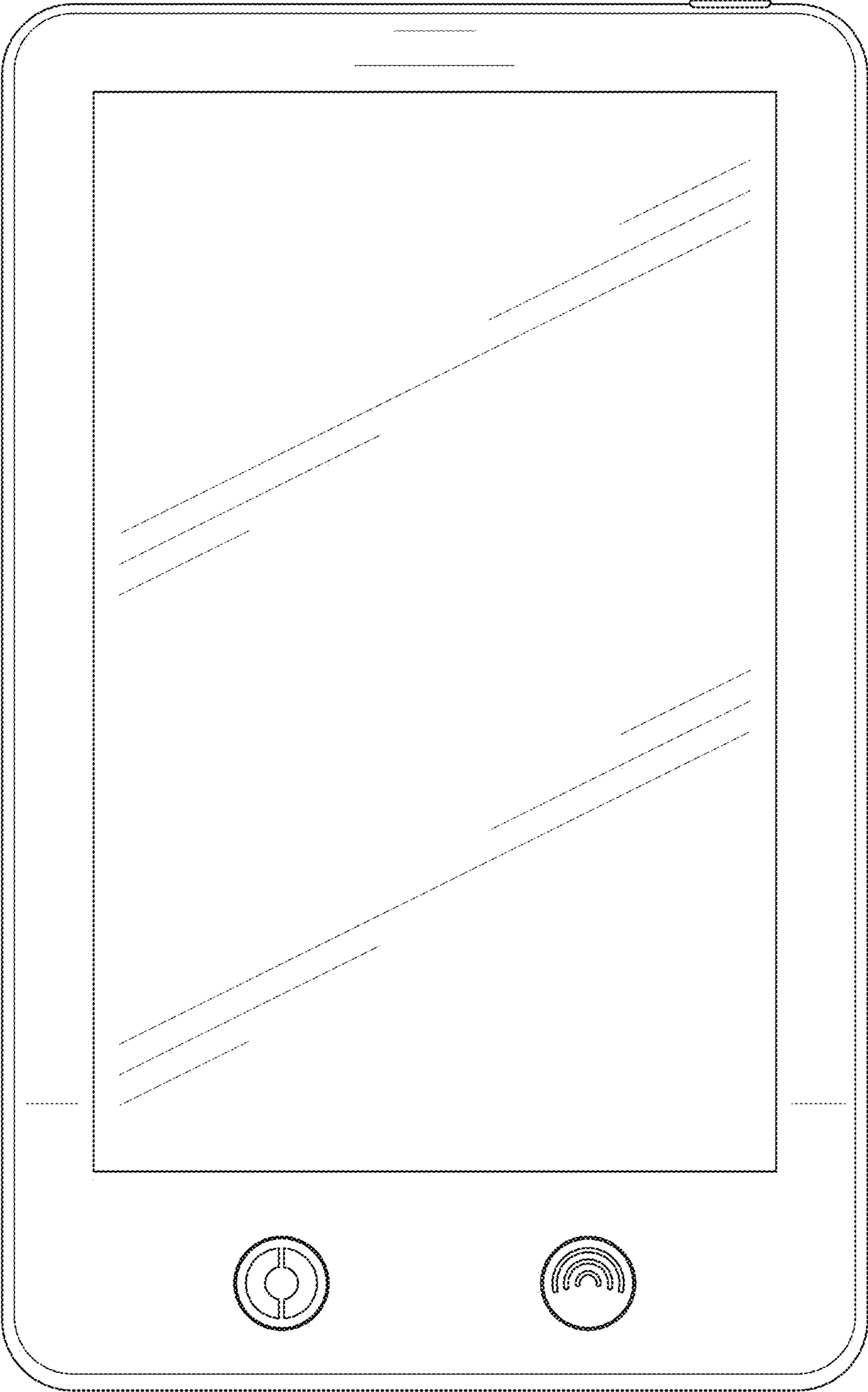


FIG. 3

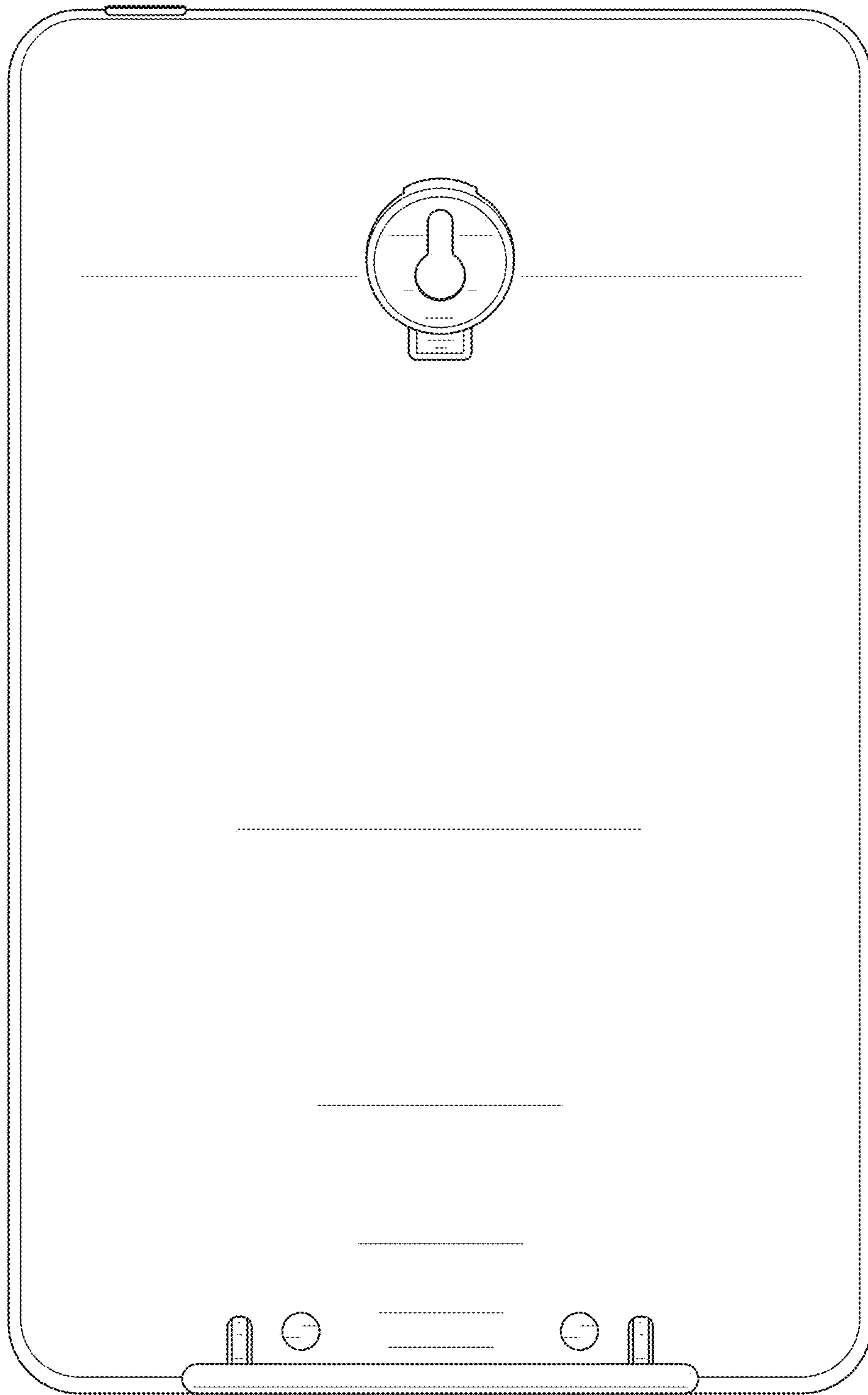


FIG. 4

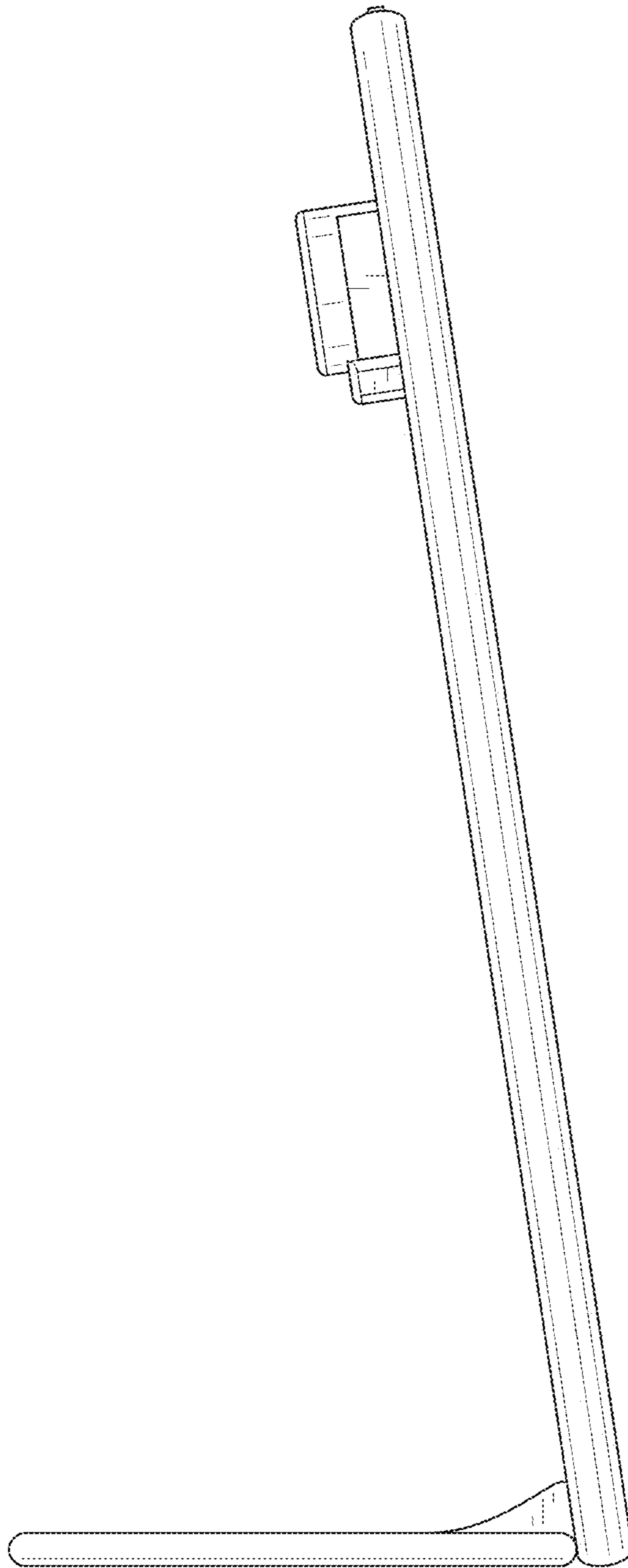


FIG. 5

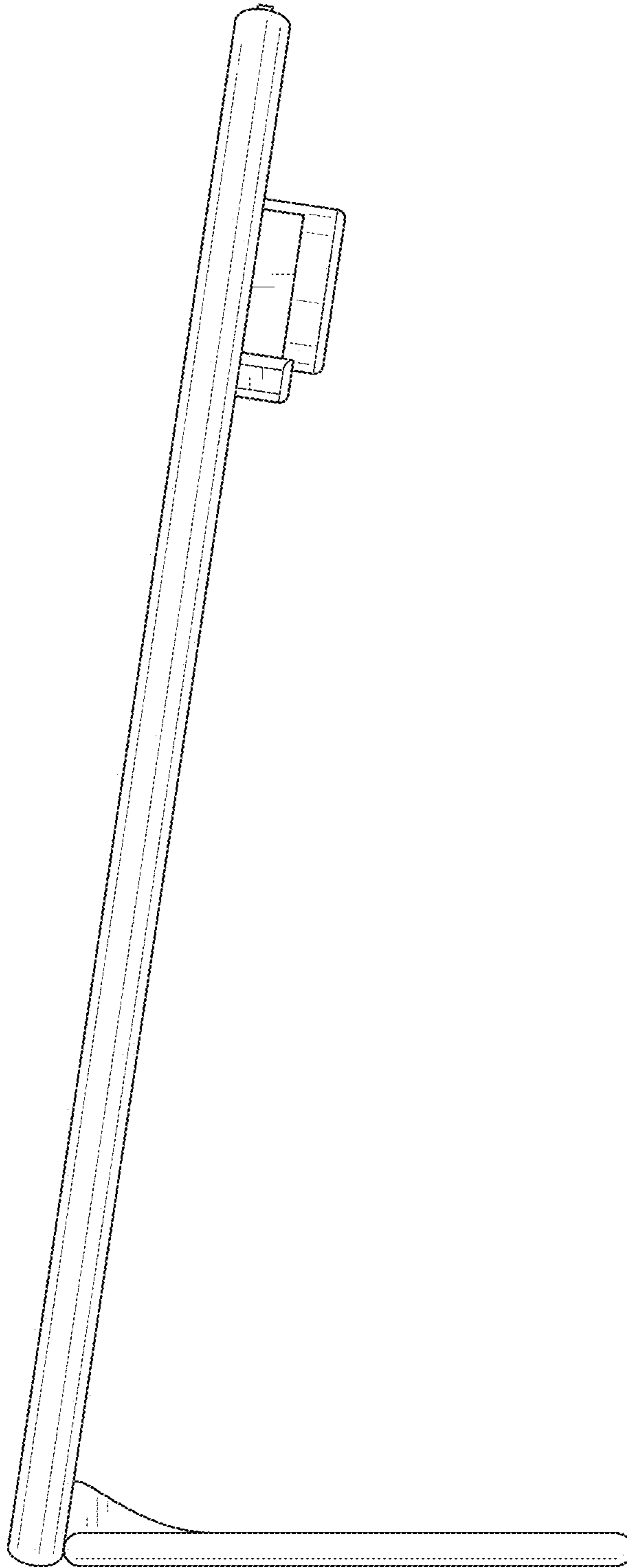


FIG. 6

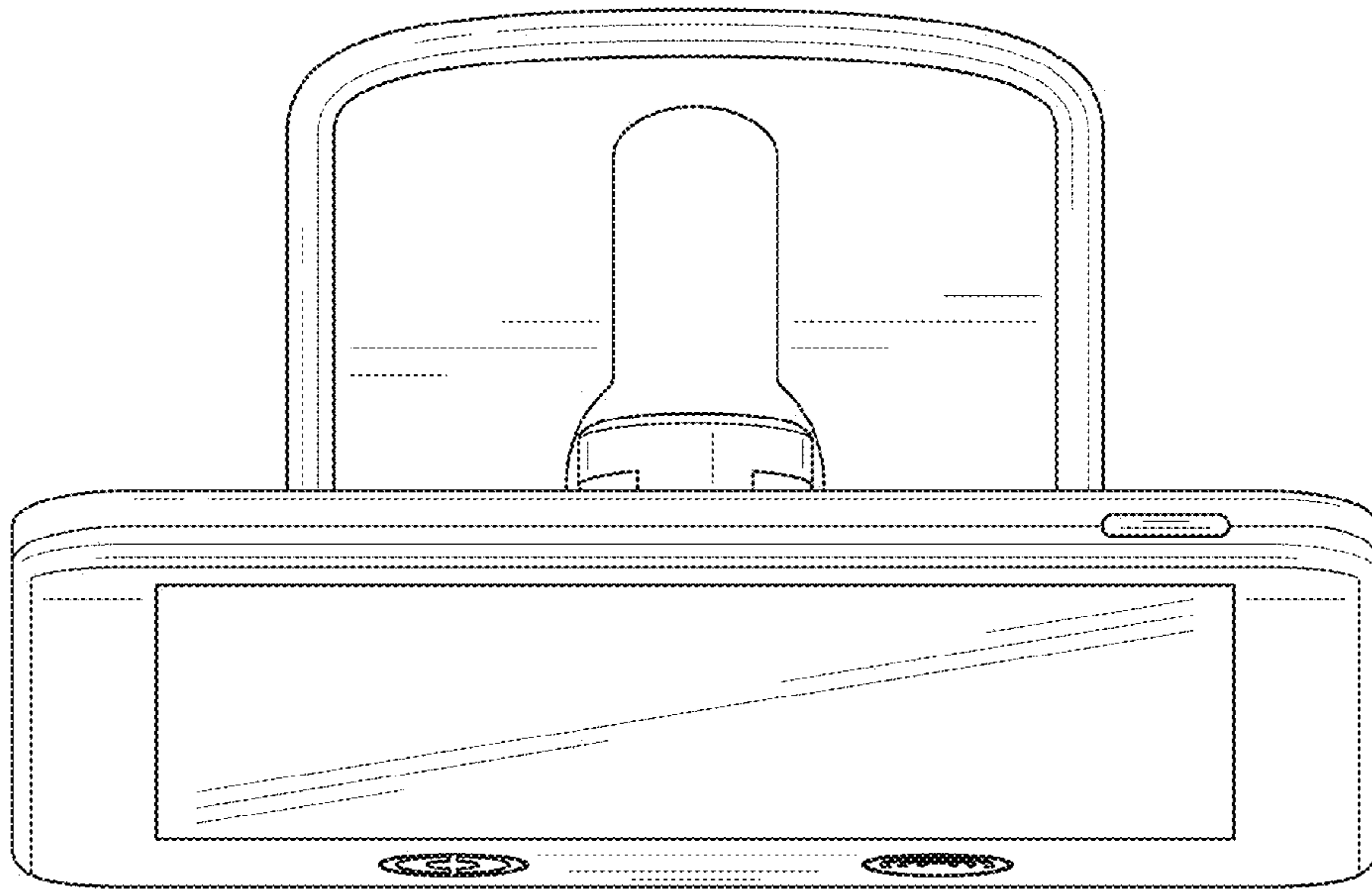


FIG. 7

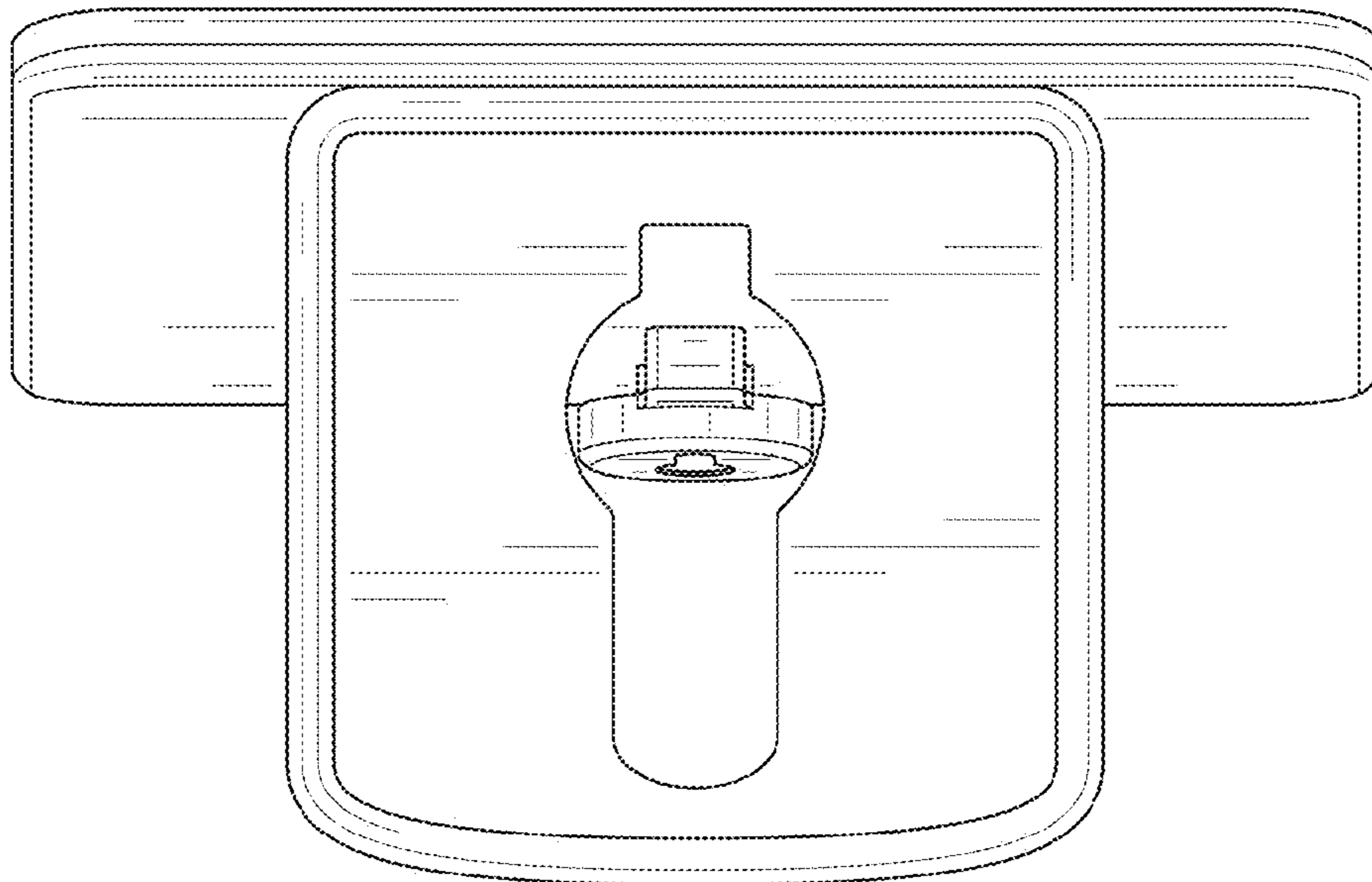


FIG. 8



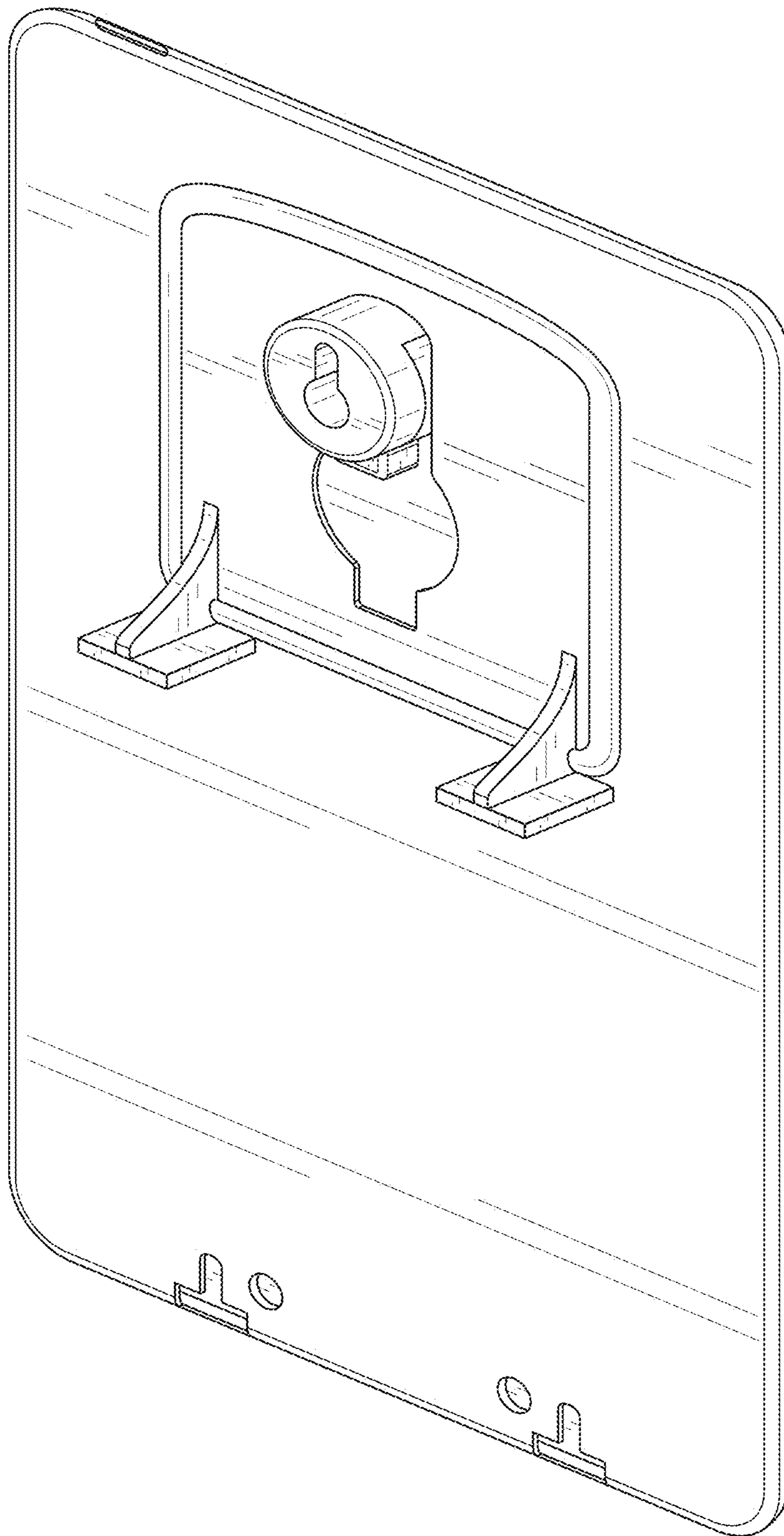


FIG. 9

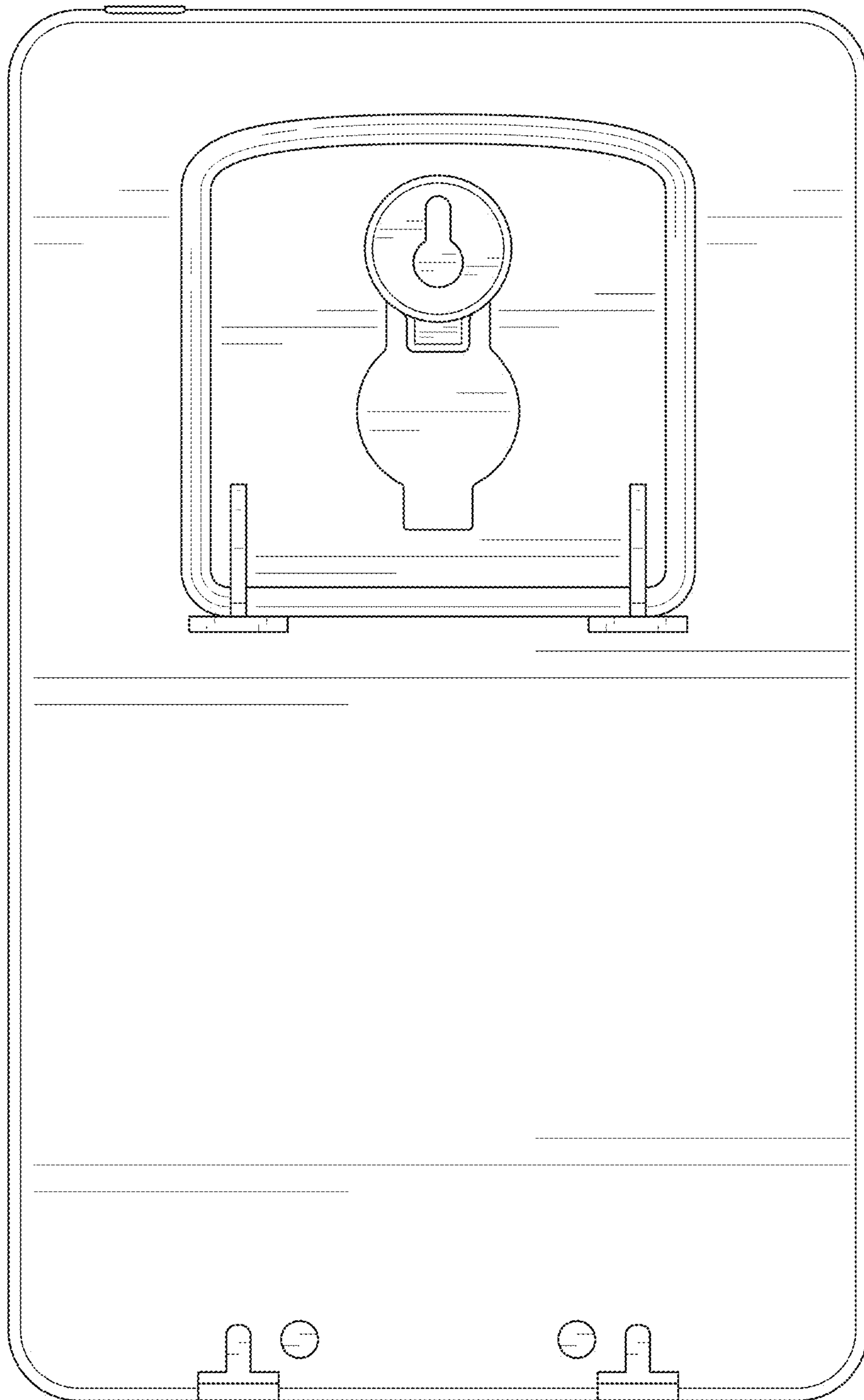


FIG. 10