



US00D893034S

(12) **United States Design Patent**  
**Kase et al.**

(10) **Patent No.:** **US D893,034 S**  
(45) **Date of Patent:** **\*\* Aug. 11, 2020**

(54) **SET OF ADHESIVE TAPES**

(71) Applicant: **Kinesio IP LLC**, Albuquerque, NM (US)

(72) Inventors: **Kenzo Kase**, Albuquerque, NM (US);  
**Yukari Takeda**, Tokyo (JP)

(73) Assignee: **KINESIO IP LLC**, Albuquerque, NM (US)

(\*\*) Term: **15 Years**

(21) Appl. No.: **29/662,543**

(22) Filed: **Sep. 6, 2018**

(51) **LOC (12) Cl.** ..... **24-04**

(52) **U.S. Cl.**  
USPC ..... **D24/189**

(58) **Field of Classification Search**  
USPC ..... D24/127-130, 187-190; D20/42  
(Continued)

(56) **References Cited**

U.S. PATENT DOCUMENTS

- 4,917,112 A \* 4/1990 Kalt ..... A61F 13/023  
128/888
- D382,343 S \* 8/1997 Wandell ..... D24/189  
(Continued)

*Primary Examiner* — Jennifer L Watkins

(74) *Attorney, Agent, or Firm* — Finnegan, Henderson, Farabow, Garrett & Dunner, LLP

(57) **CLAIM**

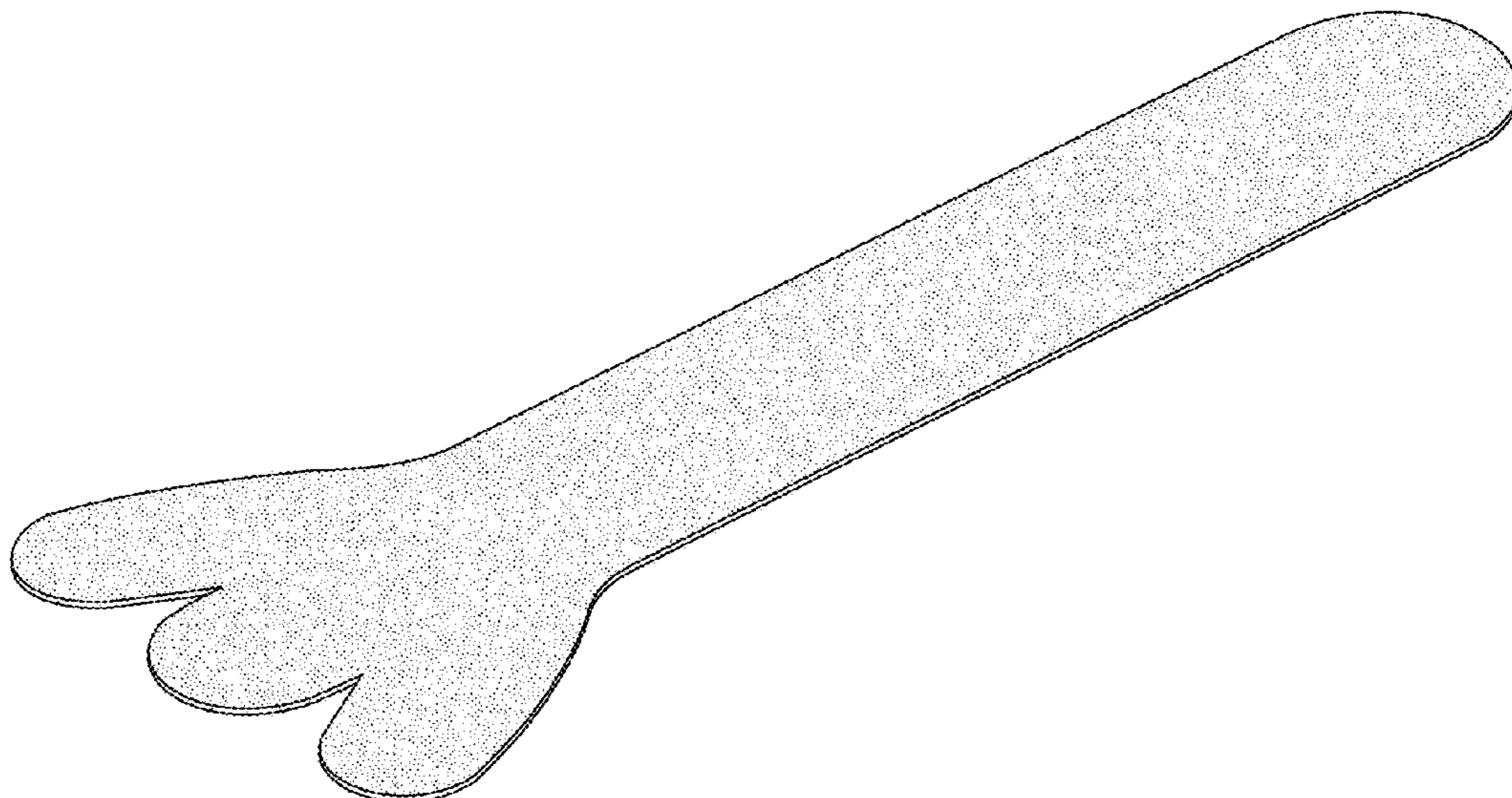
The ornamental design for a set of adhesive tapes, as shown and described.

**DESCRIPTION**

FIG. 1 is a bottom, rear, right perspective view of a first adhesive tape in a set of adhesive tapes, showing our new design;

FIG. 2 is a top, front, left perspective view thereof;  
 FIG. 3 is a bottom plan view thereof;  
 FIG. 4 is a top plan view thereof;  
 FIG. 5 is a rear elevation view thereof;  
 FIG. 6 is a front elevation view thereof;  
 FIG. 7 is a right side elevation view thereof;  
 FIG. 8 is a left side elevation view thereof;  
 FIG. 9 is a top, perspective view of the first adhesive tape in the set of adhesive tapes in an alternate configuration, in use as applied to a human hand;  
 FIG. 10 is a perspective of view thereof as applied to the underside of the human hand;  
 FIG. 11 is a bottom, rear, right perspective view of a second adhesive tape in the set of adhesive tapes, showing our new design;  
 FIG. 12 is a top, front, left perspective view thereof;  
 FIG. 13 is a bottom plan view thereof;  
 FIG. 14 is a top plan view thereof;  
 FIG. 15 is a rear elevation view thereof;  
 FIG. 16 is a front elevation view thereof;  
 FIG. 17 is a right side elevation view thereof;  
 FIG. 18 is a left side elevation view thereof;  
 FIG. 19 is a top, perspective view of the second adhesive tape in the set of adhesive tapes in an alternate configuration, in use as applied to a human hand;  
 FIG. 20 is a perspective of view thereof as applied to the underside of the human hand;  
 FIG. 21 is a top, perspective view of the first and the second adhesive tapes in the set of adhesive tapes in a second alternate configuration, in use as applied to a human hand, with the first adhesive tape shown underneath the second adhesive tape; and  
 FIG. 22 is a perspective of view thereof as applied to the underside of the human hand.  
 The portions in broken lines of even length depict a reference human hand and a third adhesive tape and form no part of the claimed design. Contrast in materials is shown by line shading in some areas and stipple shading in other areas.

**1 Claim, 22 Drawing Sheets**



(58) **Field of Classification Search**

CPC ..... A61F 13/023; A61F 13/0259; A61F  
2013/00412; A61F 2013/00846; A61F  
13/0203; A61B 5/0408; A61N 1/0456;  
Y10T 428/14; Y10T 428/15; Y10T  
428/149; Y10T 428/1495; Y10T  
428/1471; Y10T 428/24793; Y10T  
428/24802; Y10T 428/1476; Y10T  
428/24777; Y10T 428/2848

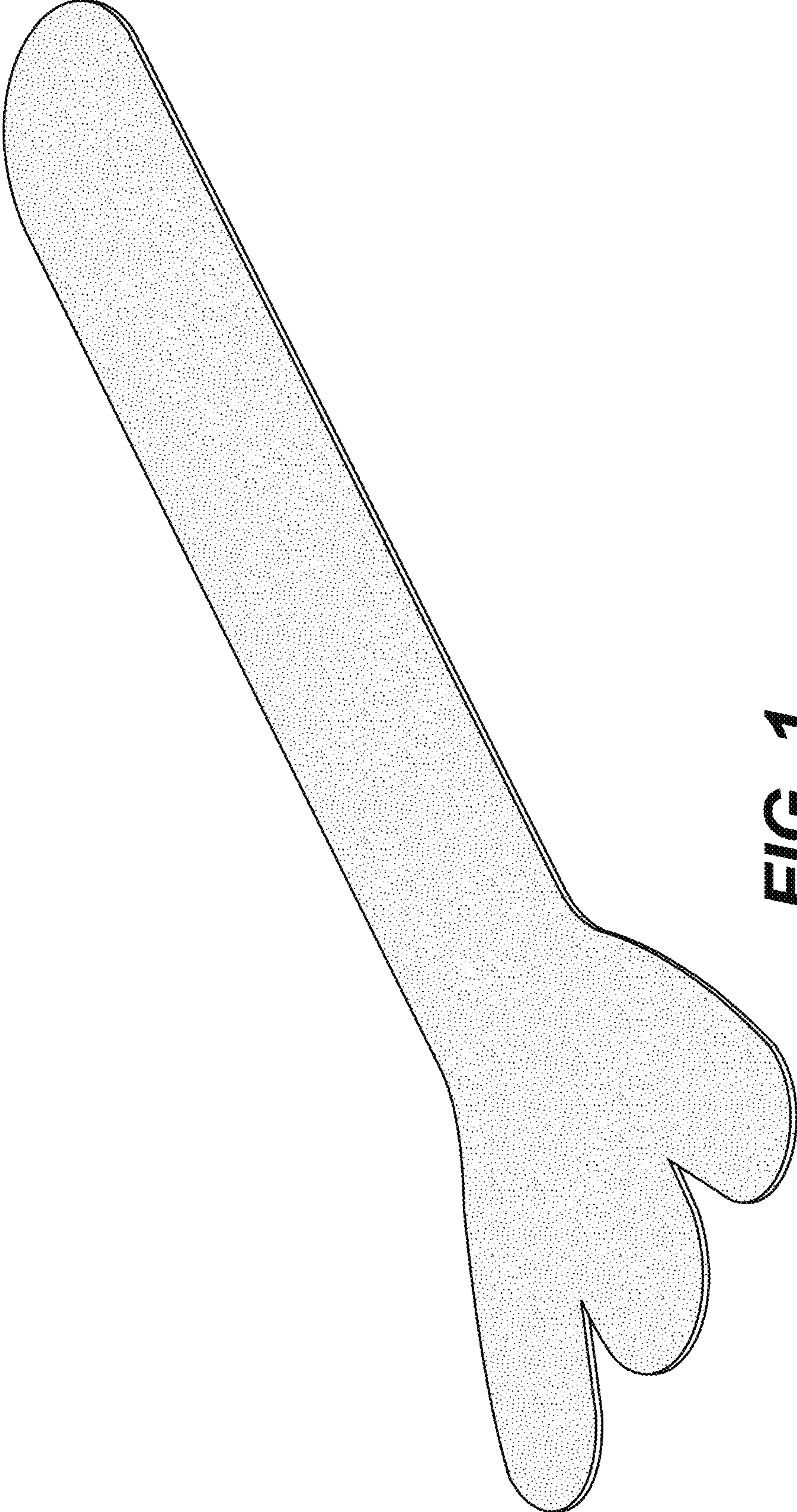
See application file for complete search history.

(56) **References Cited**

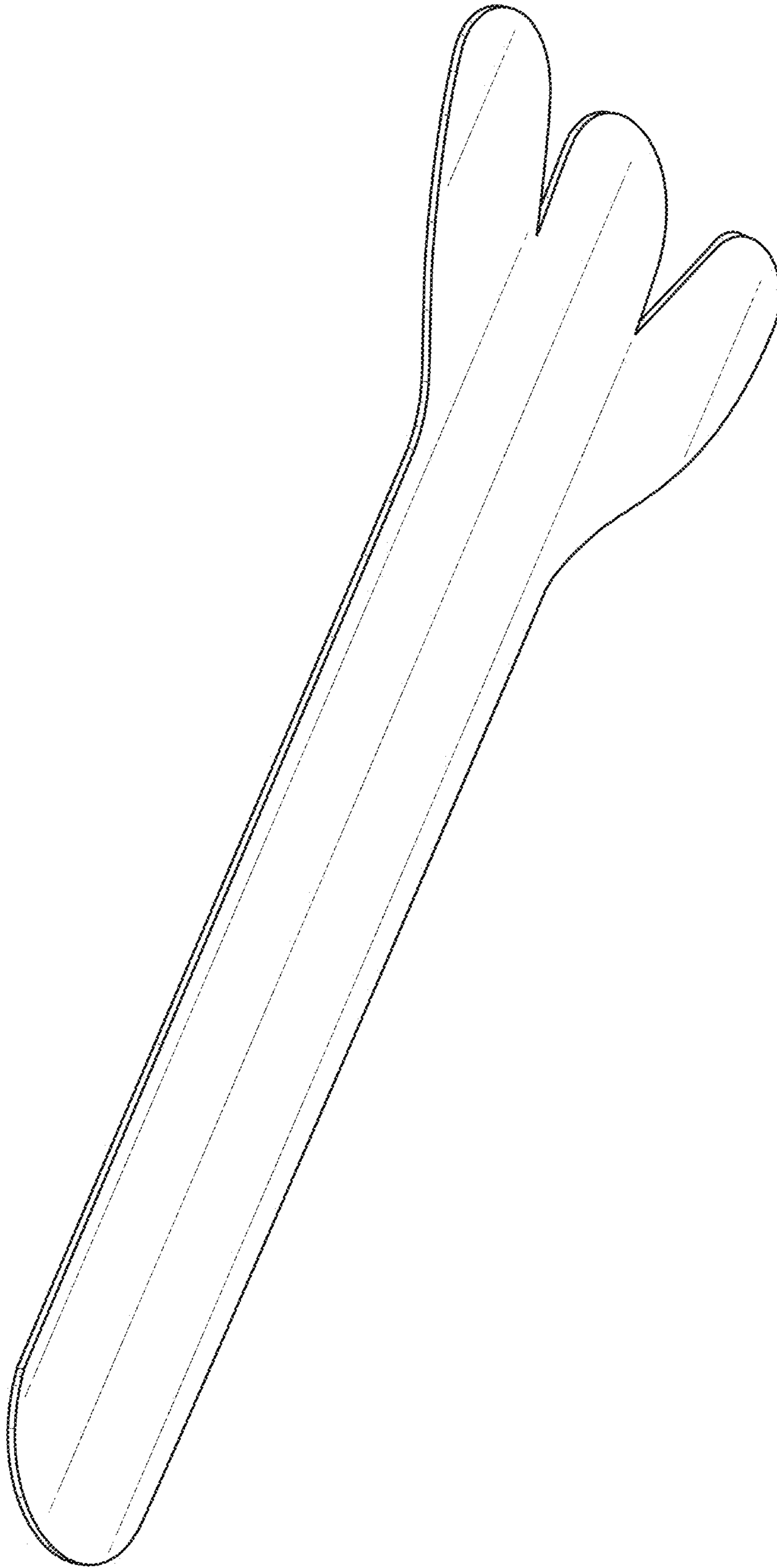
U.S. PATENT DOCUMENTS

D608,453	S	*	1/2010	Arbesman	.....	D24/189
D612,505	S	*	3/2010	Arbesman	.....	D24/190
D612,506	S	*	3/2010	Arbesman	.....	D24/190
D613,414	S	*	4/2010	Arbesman	.....	D24/190
D625,422	S	*	10/2010	Arbesman	.....	D24/189
D625,829	S	*	10/2010	Arbesman	.....	D24/190
D639,962	S	*	6/2011	Kase	.....	D24/189
D639,963	S	*	6/2011	Kase	.....	D24/189
D705,429	S	*	5/2014	Cheney	.....	D24/169
D743,566	S	*	11/2015	Arbesman	.....	D24/189

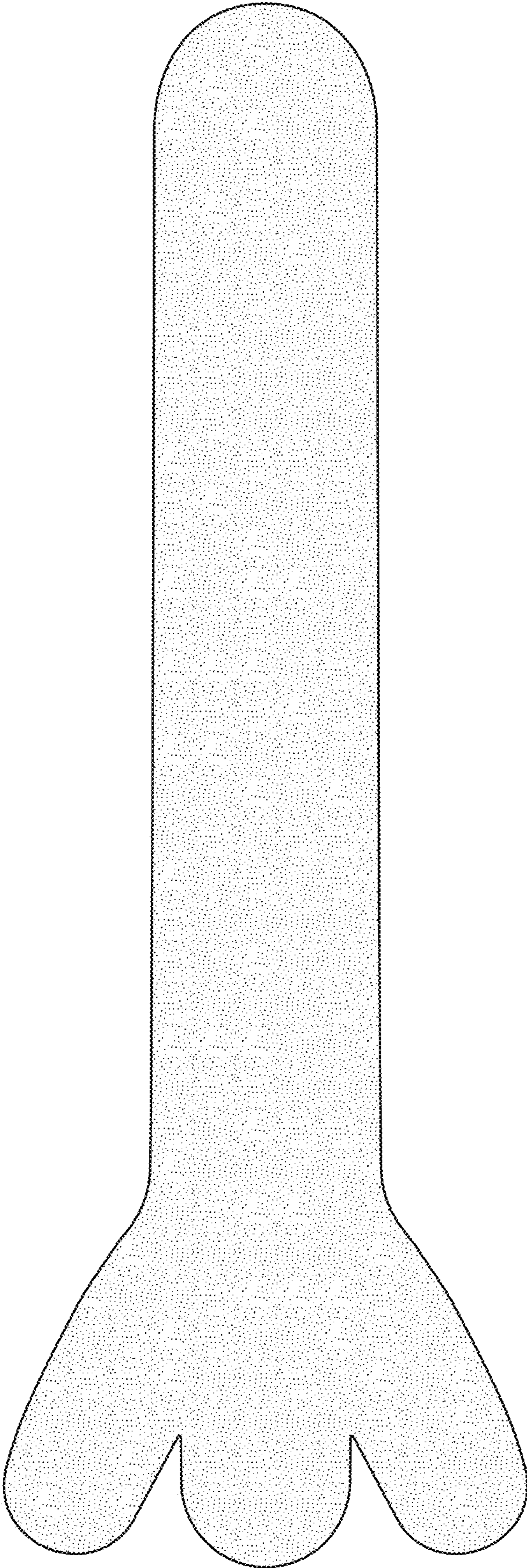
\* cited by examiner



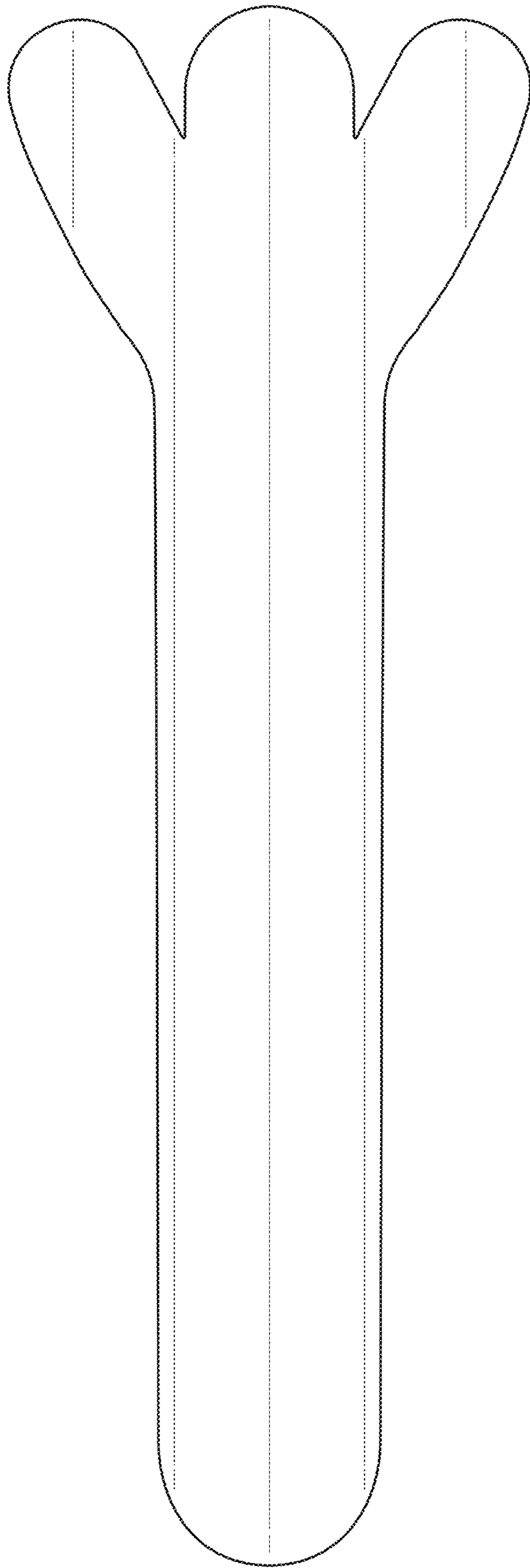
**FIG. 1**



**FIG. 2**



**FIG. 3**



**FIG. 4**



**FIG. 5**



**FIG. 6**

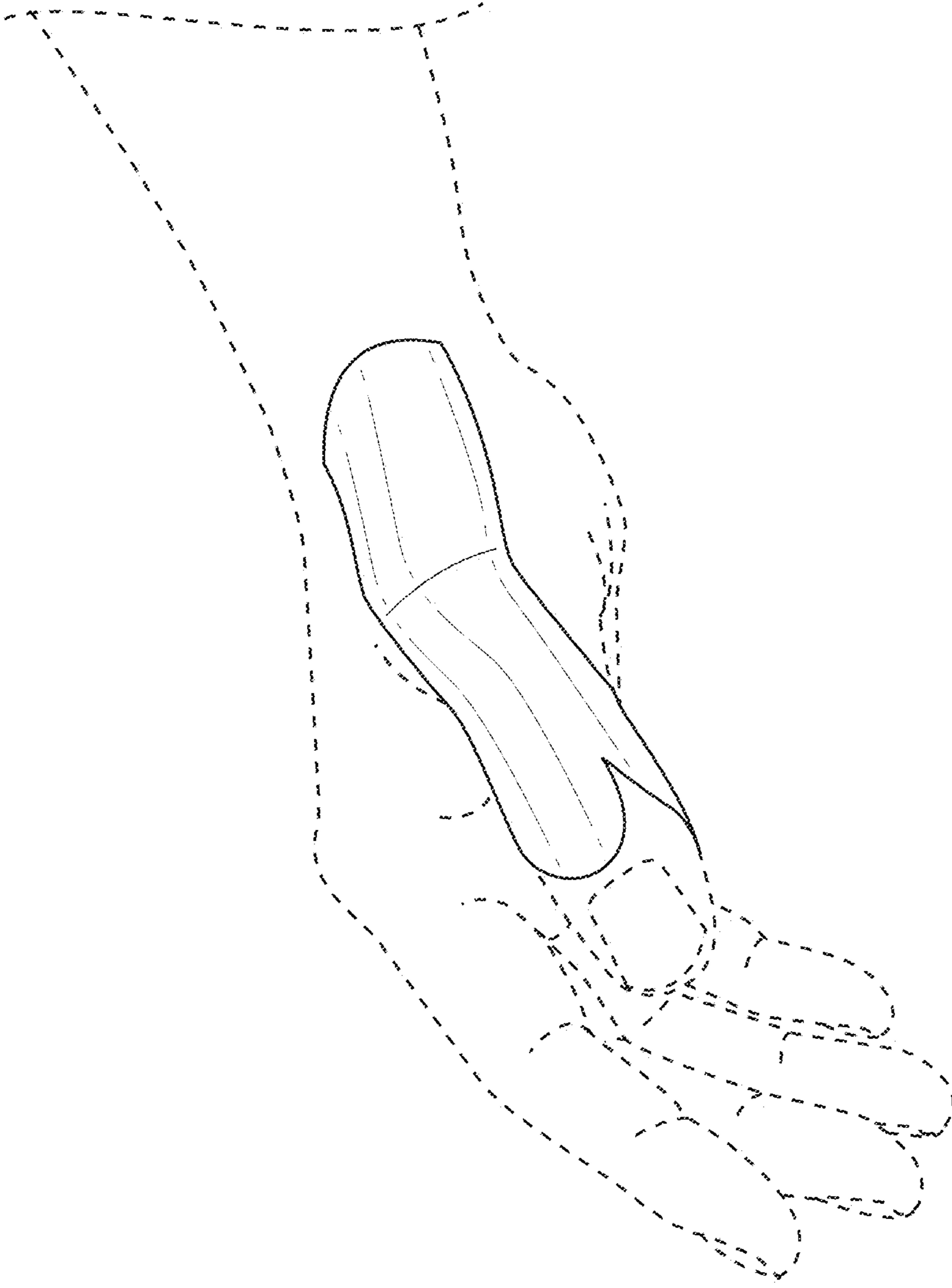




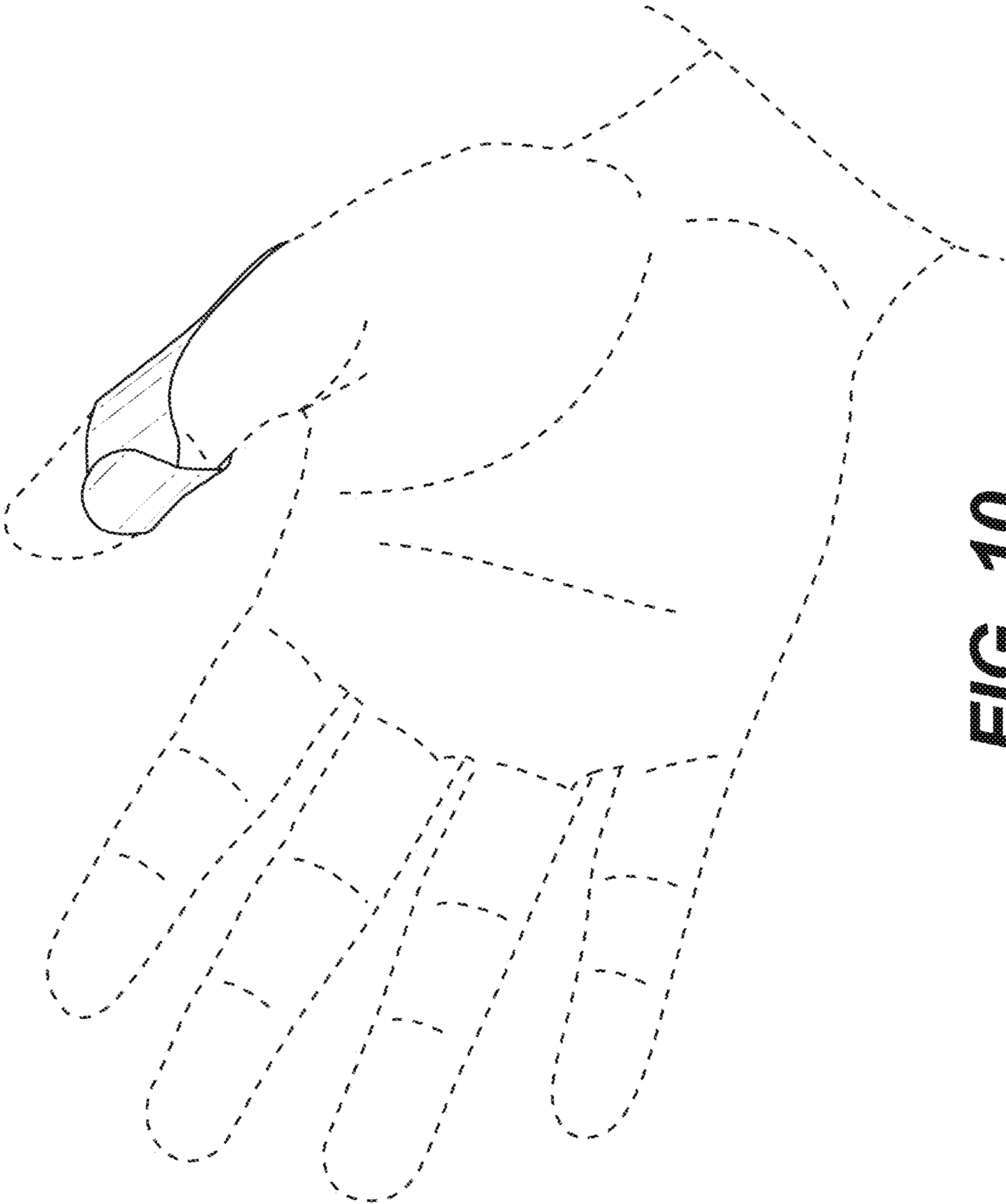
**FIG. 7**



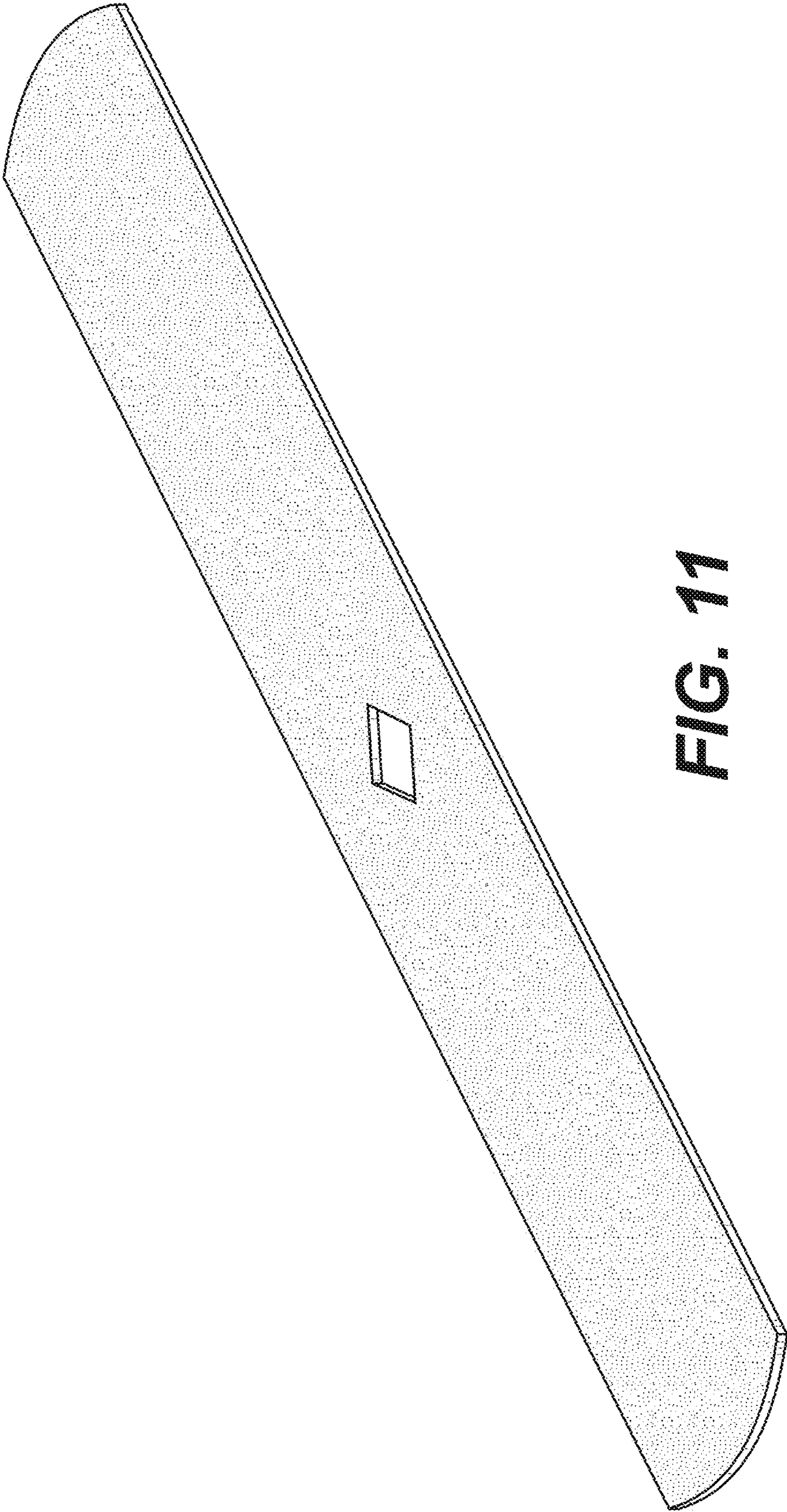
**FIG. 8**



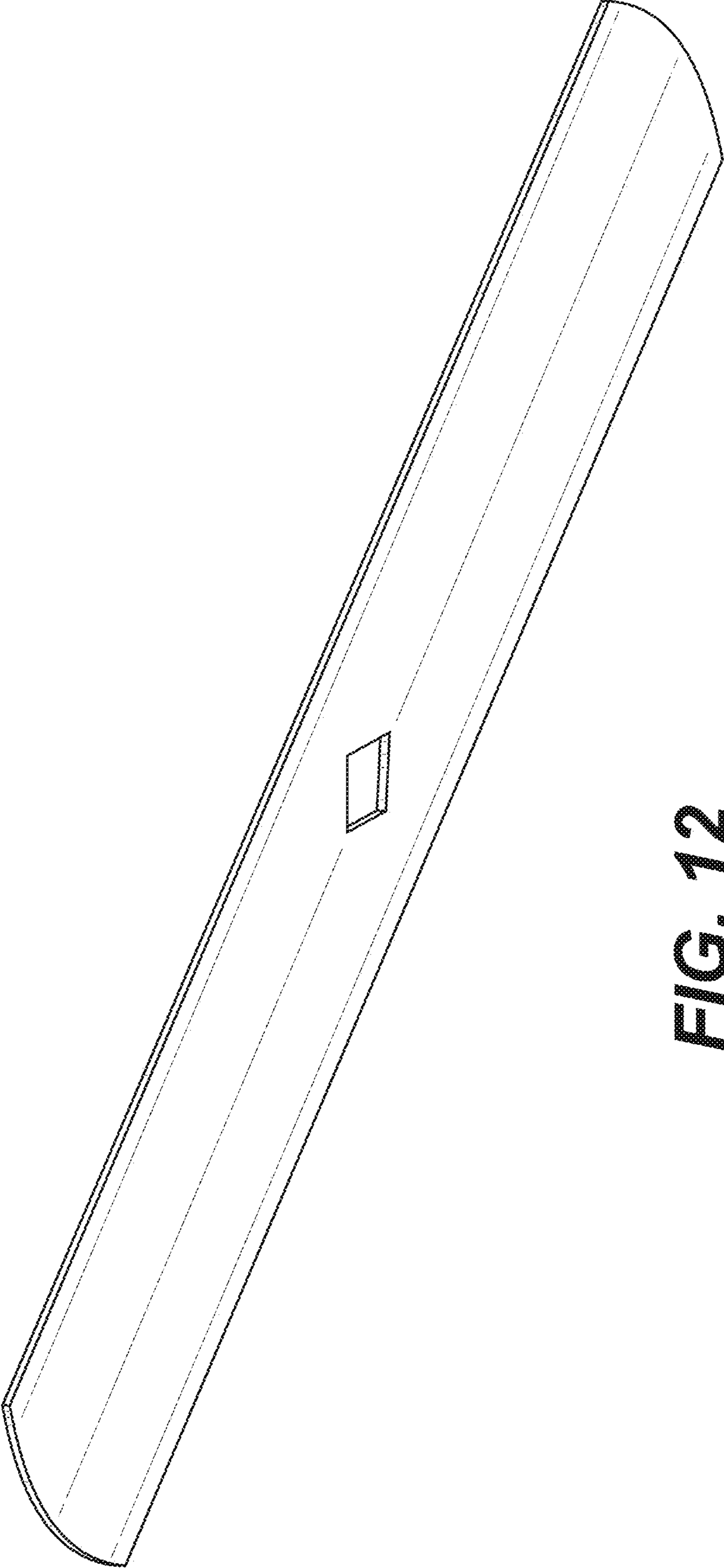
**FIG. 9**



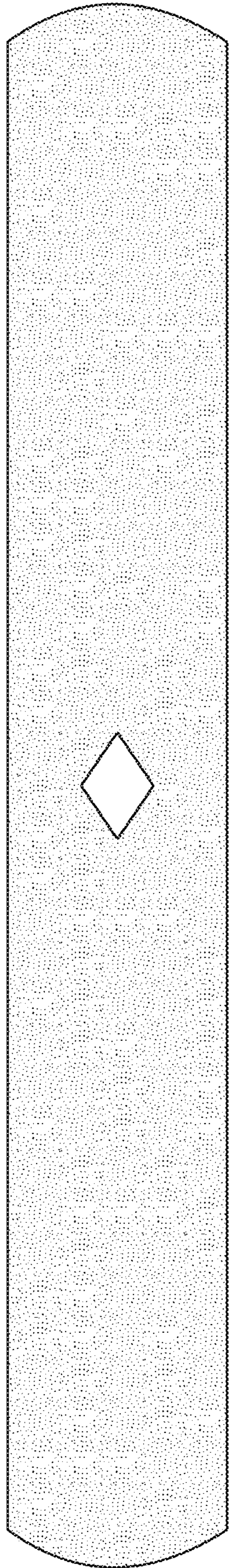
**FIG. 10**



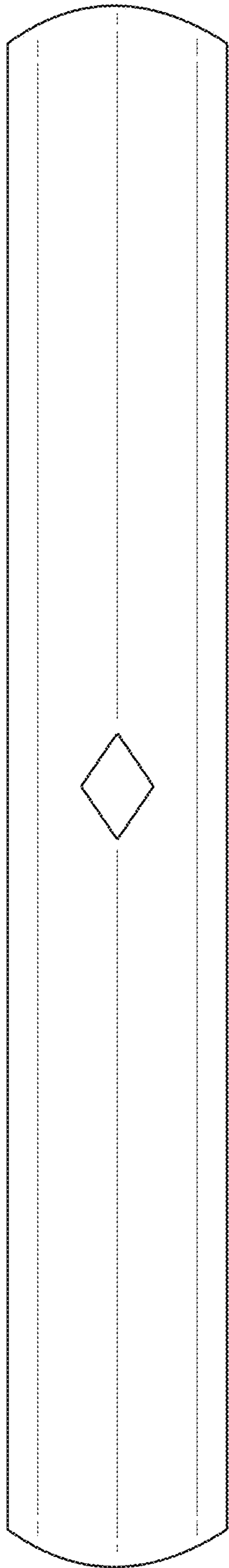
**FIG. 11**



**FIG. 12**



**FIG. 13**

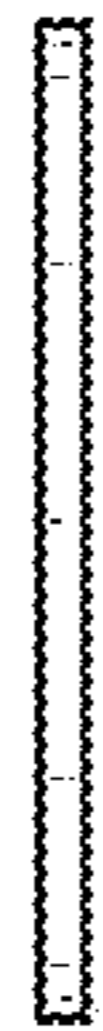


**FIG. 14**





**FIG. 15**



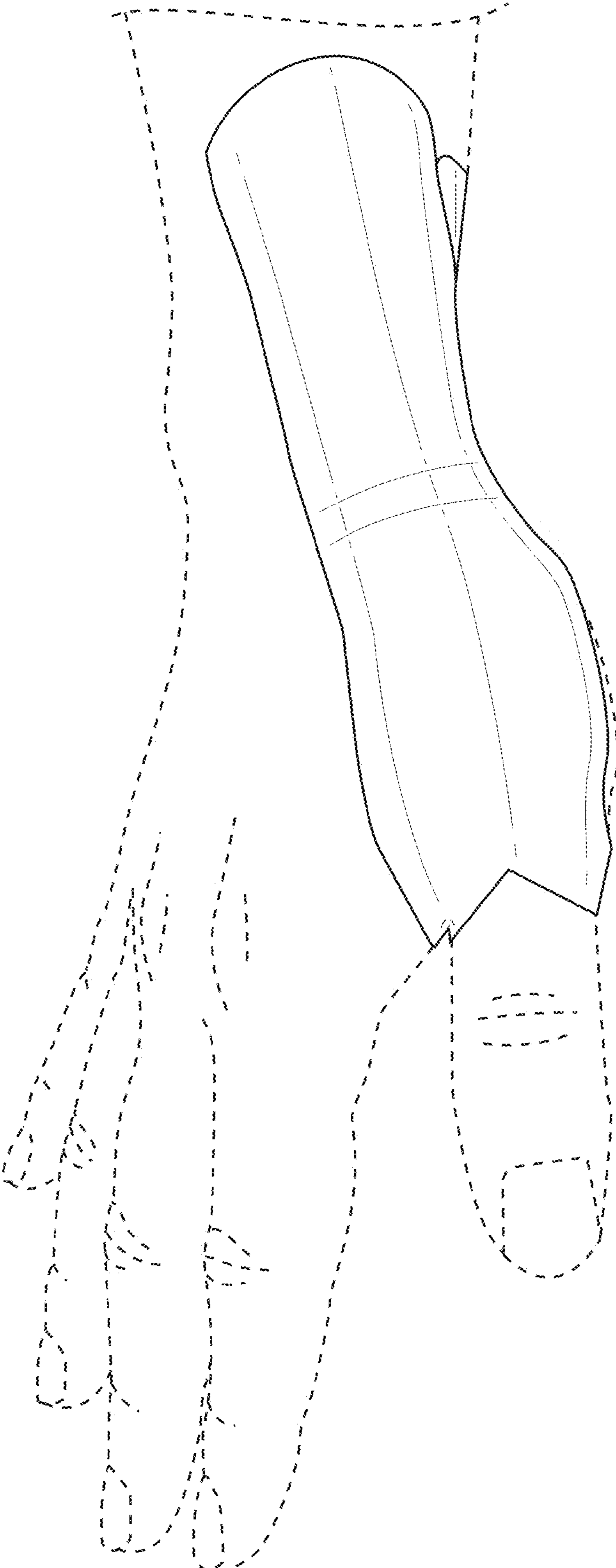
**FIG. 16**



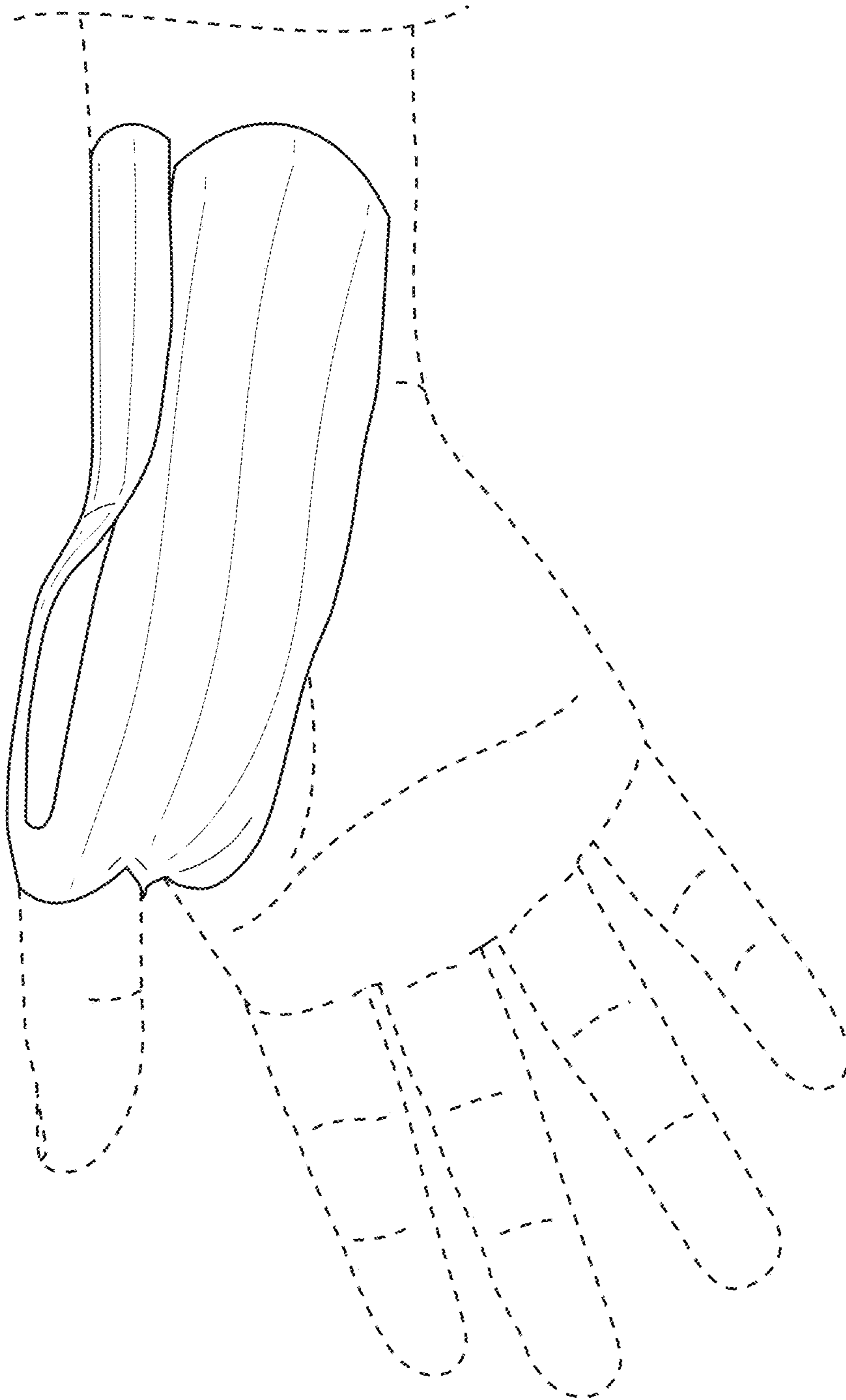
**FIG. 17**



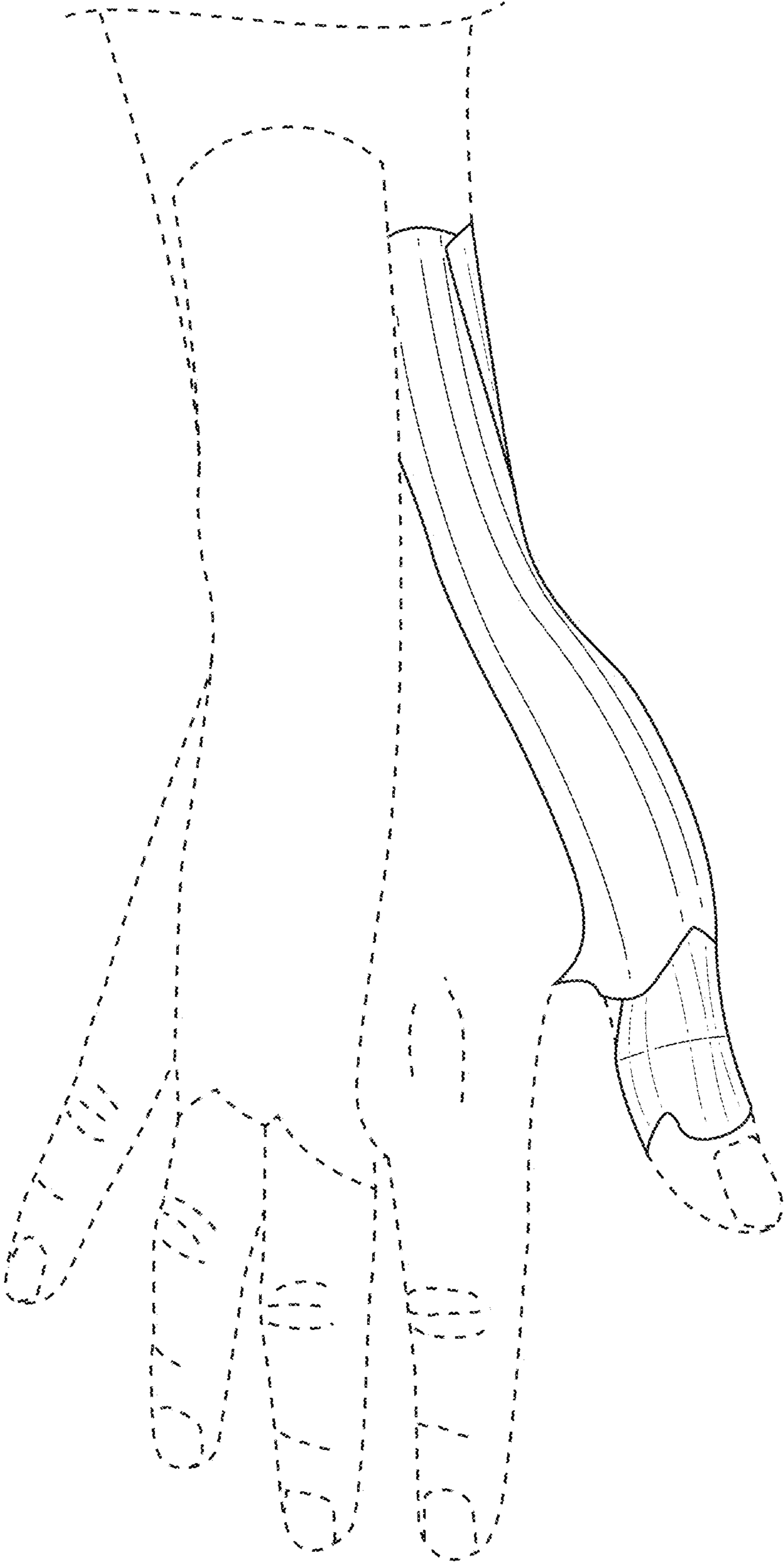
**FIG. 18**



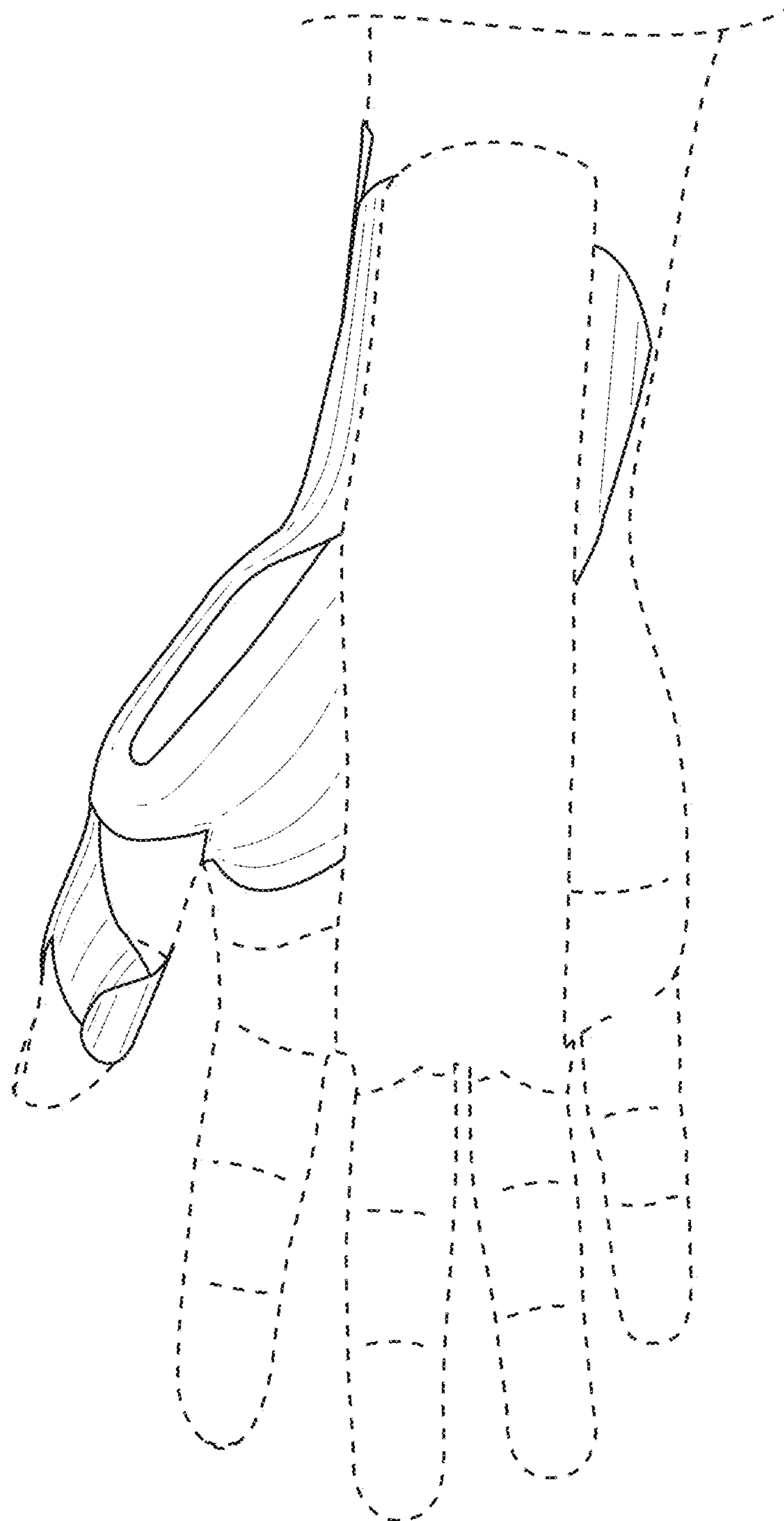
**FIG. 19**



**FIG. 20**



**FIG. 21**



**FIG. 22**