



US00D893033S

(12) **United States Design Patent**  
**Ye et al.**

(10) **Patent No.:** **US D893,033 S**

(45) **Date of Patent:** **\*\* Aug. 11, 2020**

(54) **ELECTROCARDIOGRAPH STICKER**

(56) **References Cited**

(71) Applicant: **Shenzhen Carewell Electronics Co., Ltd.**, Nanshan District, Shenzhen (CN)

U.S. PATENT DOCUMENTS

(72) Inventors: **Guang Ye**, Shenzhen (CN); **Siyu Wang**, Shenzhen (CN)

D519,210 S *	4/2006	Fernandez	.....	D24/187
D674,096 S *	1/2013	Gaw	.....	D24/187
D715,446 S *	10/2014	Lee	.....	D24/167
9,183,738 B1 *	11/2015	Allen, Sr.	.....	A61B 5/6807
D784,543 S *	4/2017	Darmanjian	.....	D24/187
D785,187 S *	4/2017	Darmanjian	.....	A61B 5/4362
				D24/187
D794,200 S *	8/2017	Singh	.....	D24/167
D852,965 S *	7/2019	Bahney	.....	A61B 5/0408
				D24/186
D863,561 S *	10/2019	McCalmont	.....	D24/187

(73) Assignee: **Shenzhen Carewell Electronics Co., Ltd.**, Shenzhen (CN)

(\*\*) Term: **15 Years**

(21) Appl. No.: **29/685,306**

\* cited by examiner

(22) Filed: **Mar. 27, 2019**

*Primary Examiner* — Anhdao Doan

(30) **Foreign Application Priority Data**

(74) *Attorney, Agent, or Firm* — TraskBritt

Sep. 29, 2018 (CN) ..... 2018 3 0550529

(51) **LOC (12) Cl.** ..... **24-01**

(57) **CLAIM**

The ornamental design for an electrocardiograph sticker, as shown and described.

(52) **U.S. Cl.**  
USPC ..... **D24/167**

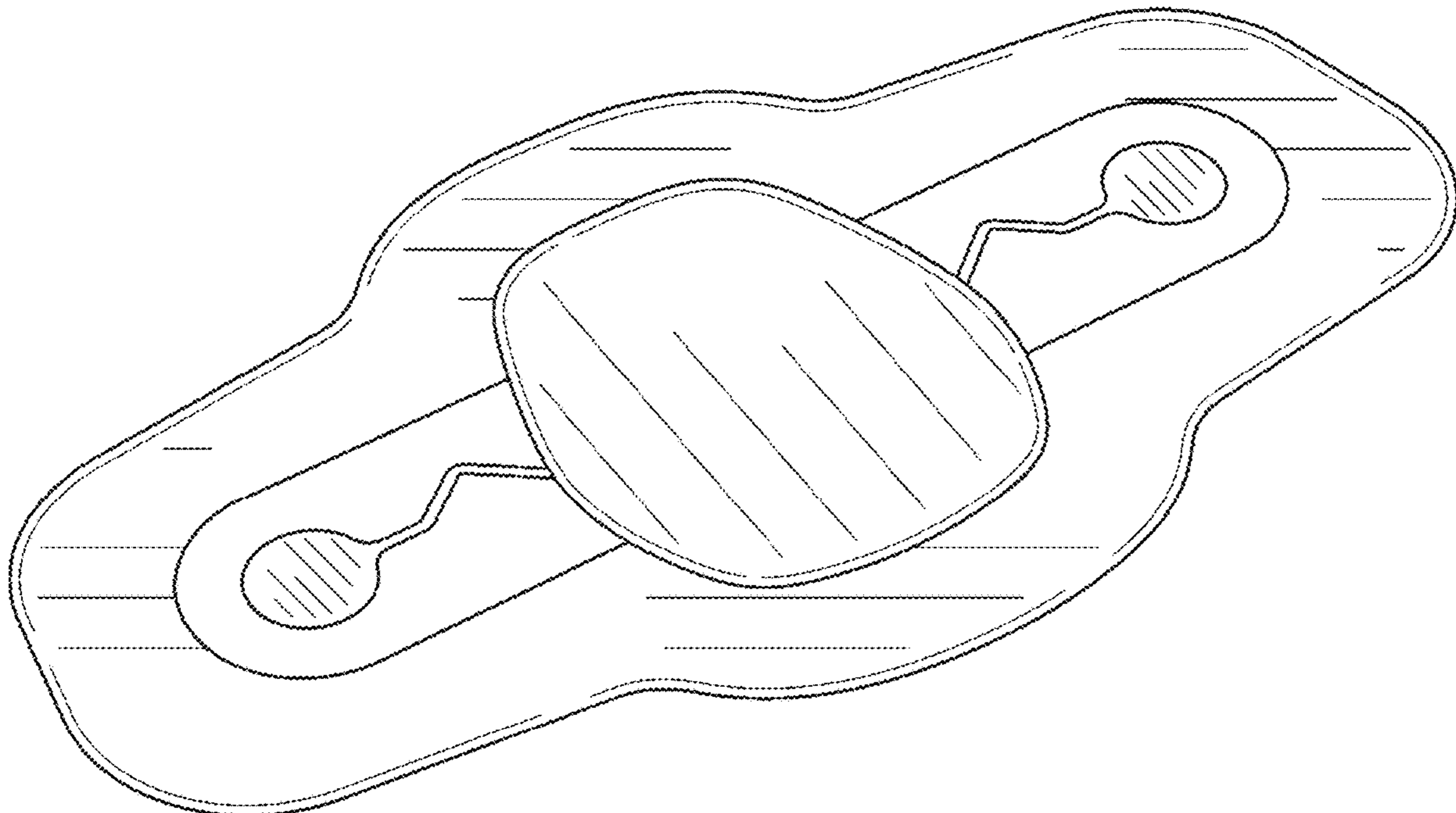
**DESCRIPTION**

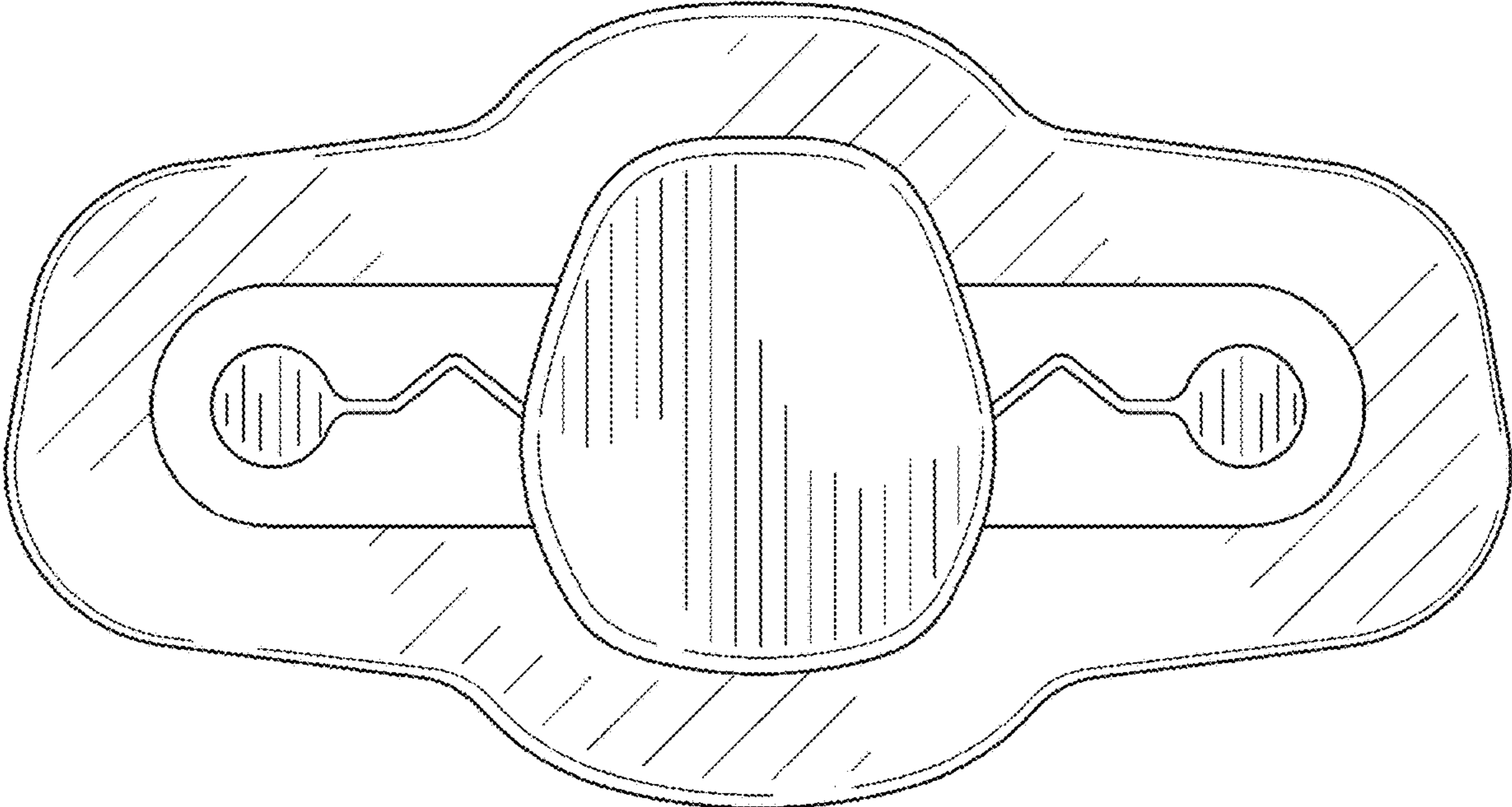
(58) **Field of Classification Search**  
USPC ..... D24/107, 164–167, 186, 187; D10/75;  
D14/344; D20/11, 22  
CPC . A61B 5/0402; A61B 5/0404; A61B 5/04085;  
A61B 5/0416; A61B 5/0432; A61B  
5/044; A61B 5/6805; A61B 5/6823; A61B  
2560/0412; A61B 2560/0462

FIG. 1 is a front view of an electrocardiograph sticker showing our new design;  
FIG. 2 is a back view thereof;  
FIG. 3 is a top perspective view thereof; and,  
FIG. 4 is a bottom perspective view thereof.

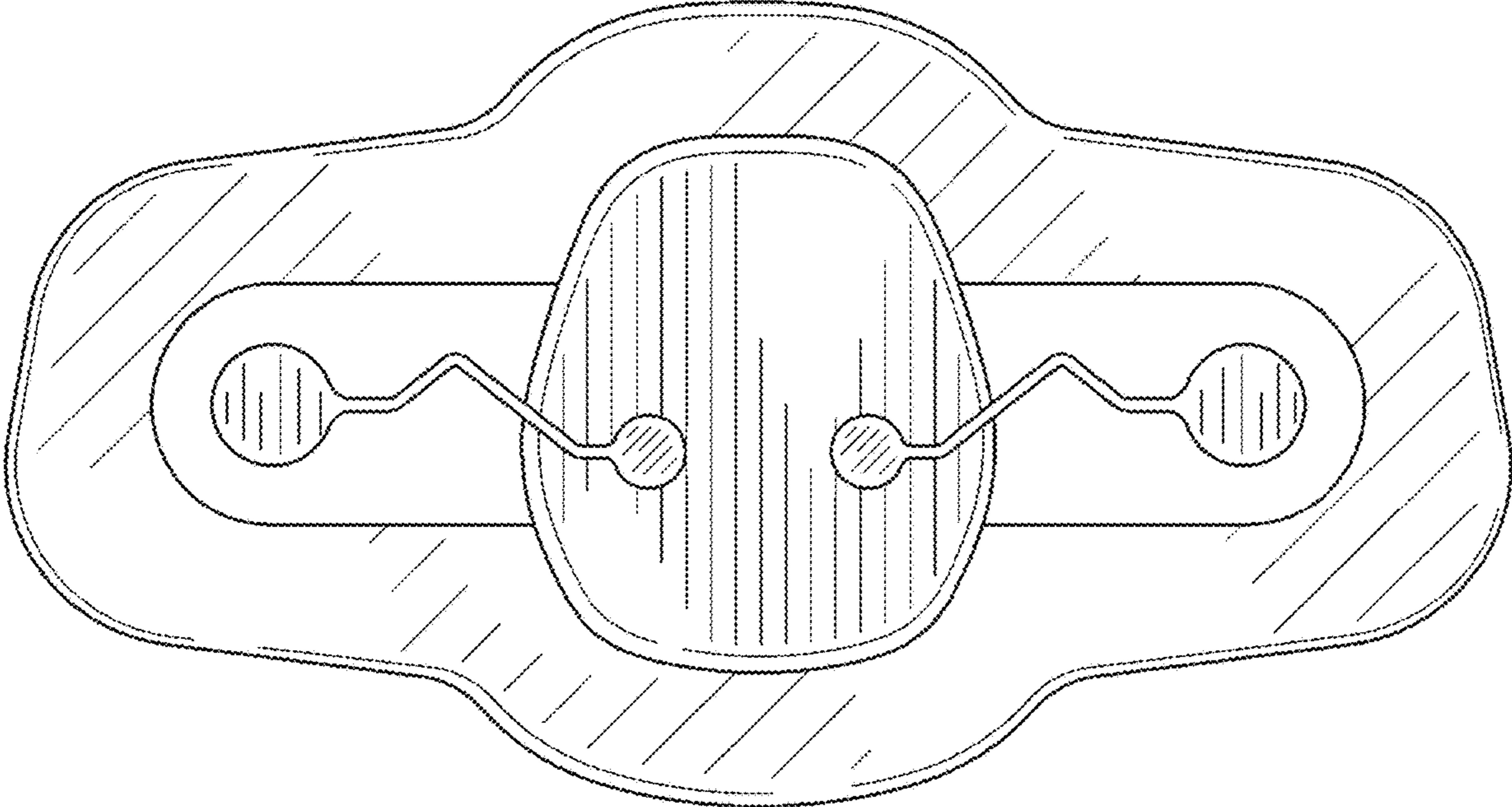
See application file for complete search history.

**1 Claim, 4 Drawing Sheets**

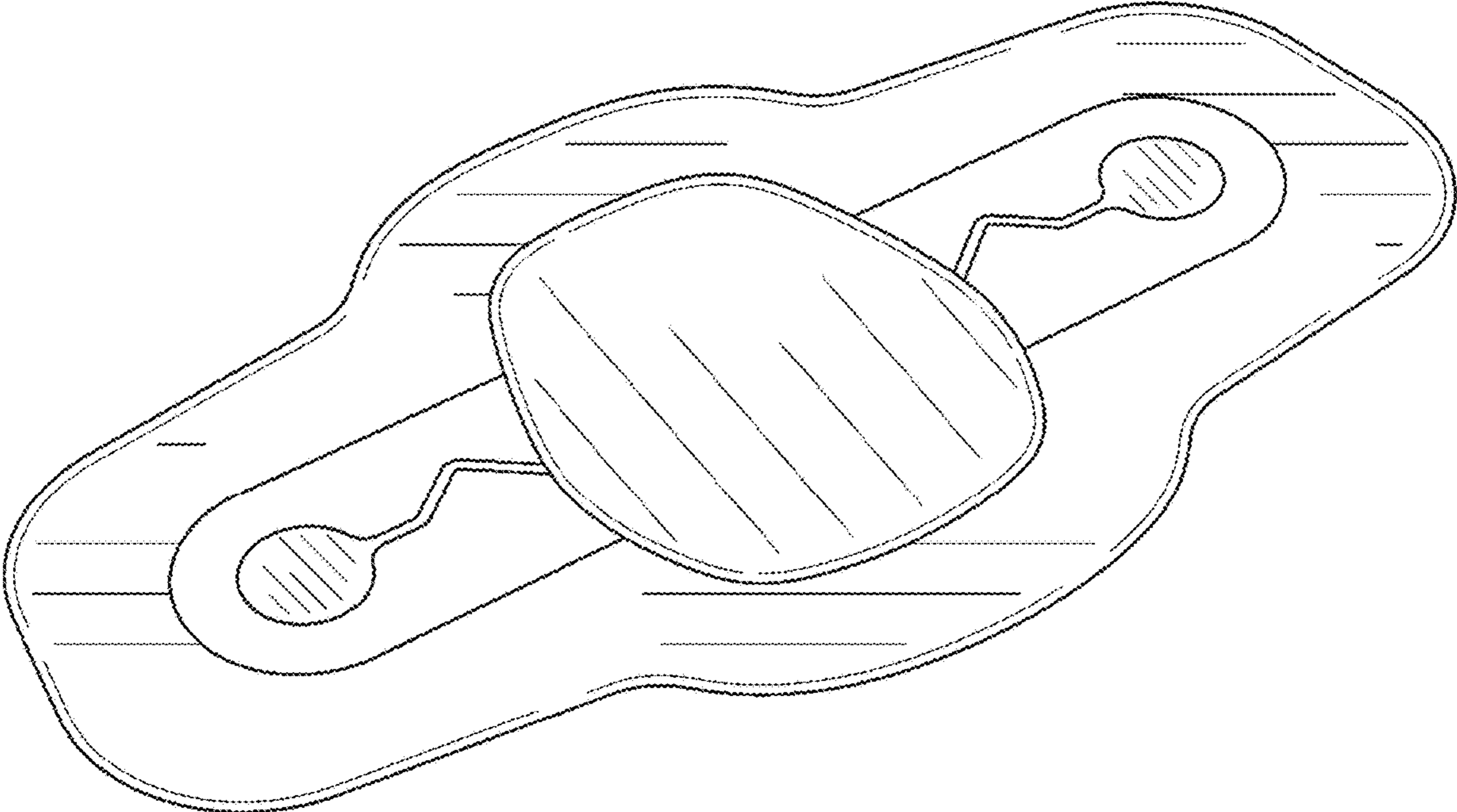




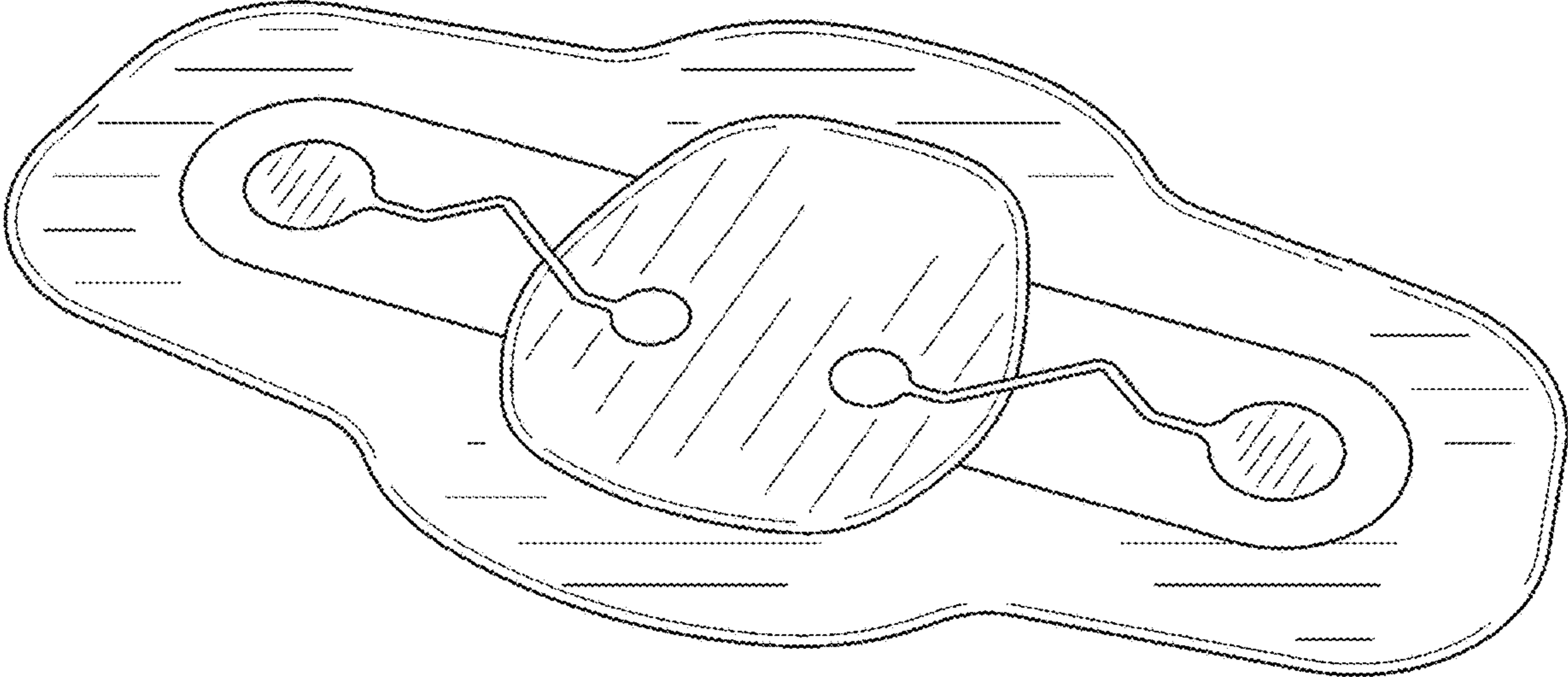
**FIG. 1**



**FIG. 2**



**FIG. 3**



**FIG. 4**