



US00D893032S

(12) **United States Design Patent** (10) **Patent No.:** **US D893,032 S**  
**Smith et al.** (45) **Date of Patent:** **\*\* Aug. 11, 2020**

(54) **DEFIBRILLATOR**

(71) Applicant: **Revive Solutions, Inc.**, San Mateo, CA (US)

(72) Inventors: **Anthony Joseph Smith**, Berkeley, CA (US); **Chloe Rekow Georgiades**, San Francisco, CA (US); **Gordon Moseley P. Andrews**, Ross, CA (US); **Rory M. Beyer**, San Mateo, CA (US); **Sameer Jafri**, San Diego, CA (US); **Eliza Tehan**, San Francisco, CA (US); **Stephanie Lee**, San Jose, CA (US); **Alexis De Stasio**, San Francisco, CA (US); **Yoshikazu Hoshino**, San Francisco, CA (US); **Gad Amit**, San Mateo, CA (US)

(73) Assignee: **Avive Solutions, Inc.**, San Francisco, CA (US)

(\*\*) Term: **15 Years**

(21) Appl. No.: **29/681,073**

(22) Filed: **Feb. 22, 2019**

(51) **LOC (12) Cl.** ..... **24-01**

(52) **U.S. Cl.**  
USPC ..... **D24/167**

(58) **Field of Classification Search**  
USPC ..... D24/107, 164–167, 186, 187, 200;  
D10/75; D14/344, 358, 388, 389  
CPC ..... A61N 1/3956; A61N 1/3975; A61N  
1/39622; A61N 1/3993; A61N 1/37229;  
A61N 1/37276

See application file for complete search history.

(56) **References Cited**

**U.S. PATENT DOCUMENTS**

4,157,720 A \* 6/1979 Greatbatch ..... A61N 1/375  
607/131  
D693,248 S \* 11/2013 Anderssen ..... D10/70

D702,354 S \* 4/2014 Larsen ..... D24/164  
D749,570 S \* 2/2016 Lee ..... D14/344  
D800,721 S \* 10/2017 Kim ..... D14/344  
D803,410 S \* 11/2017 Im ..... D24/187  
D814,323 S \* 4/2018 Bedingham ..... D24/168  
D847,998 S \* 5/2019 Nakar ..... D24/167  
D855,807 S \* 8/2019 Schroeder ..... D24/167  
D864,345 S \* 10/2019 Yi ..... D22/109  
D870,450 S \* 12/2019 Albright ..... B65D 77/2032  
D3/200  
D879,150 S \* 3/2020 Kusano ..... D14/496  
2020/0094044 A1 \* 3/2020 Andrews ..... A61N 1/3993

\* cited by examiner

*Primary Examiner* — Anhdao Doan

(74) *Attorney, Agent, or Firm* — Beyer Law Group LLP

(57) **CLAIM**

We claim the ornamental design for a defibrillator, as shown and described.

**DESCRIPTION**

FIG. 1 is a first perspective view of a defibrillator showing our new design.

FIG. 2 is a second perspective view thereof.

FIG. 3 is a front view thereof.

FIG. 4 is a back view thereof.

FIG. 5 is a bottom view thereof.

FIG. 6 is a top view thereof.

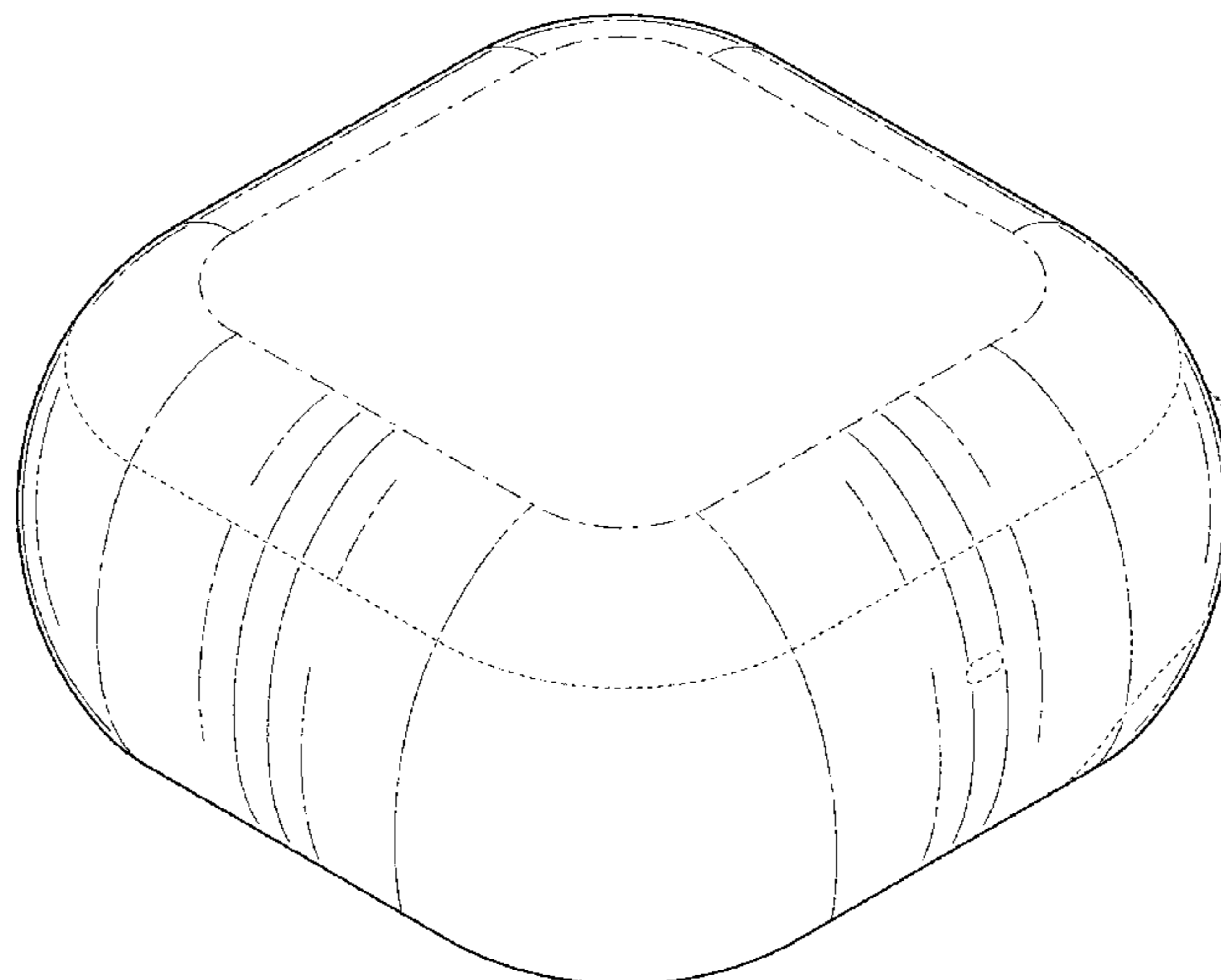
FIG. 7 is a left side view thereof; and,

FIG. 8 is a right side view thereof.

The broken lines in the drawings depict portions of the defibrillator that form no part of the claimed design.

The dash-dot-dash lines represent the bounds of the claim and form no part of the claimed design.

**1 Claim, 8 Drawing Sheets**



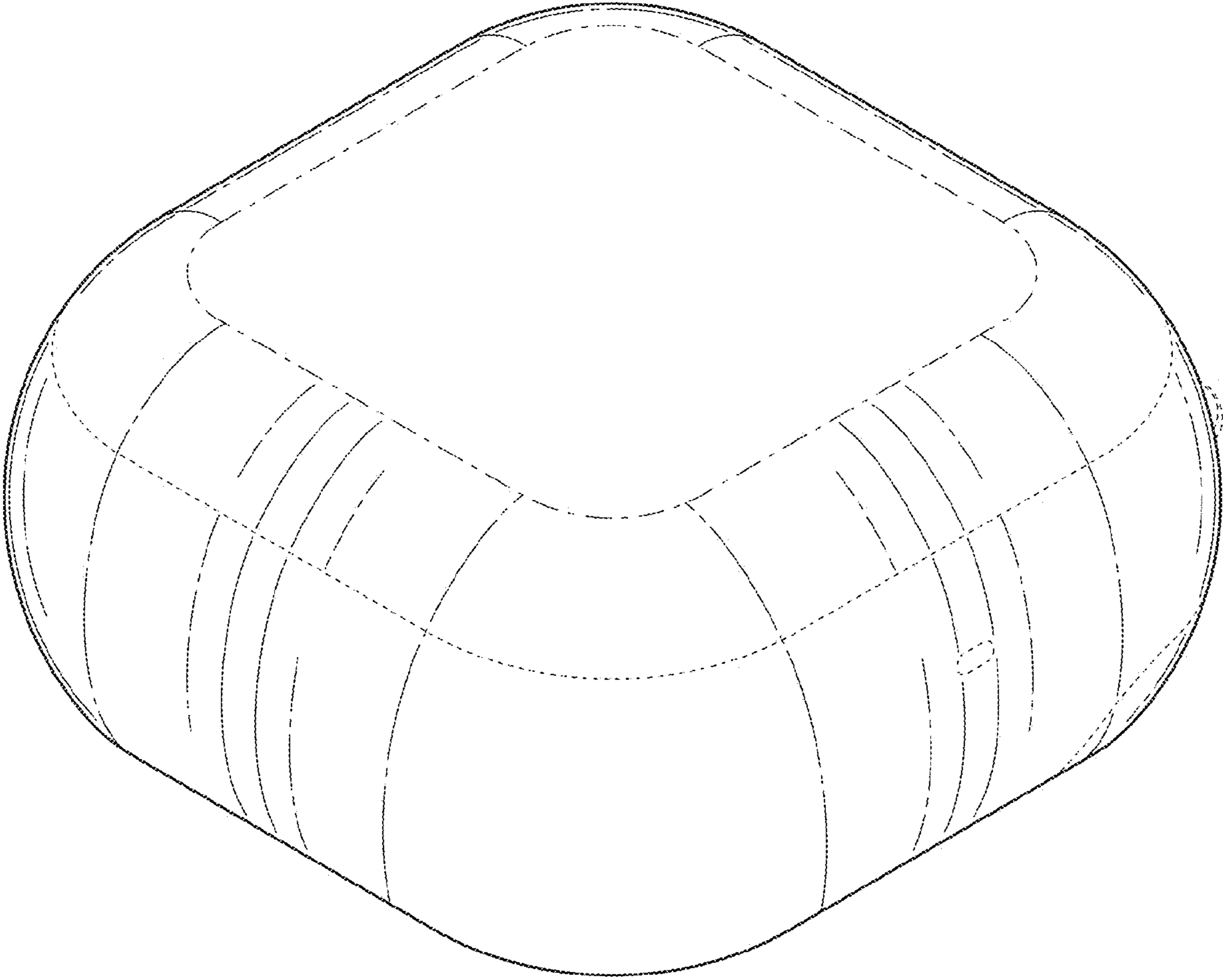


FIG. 1

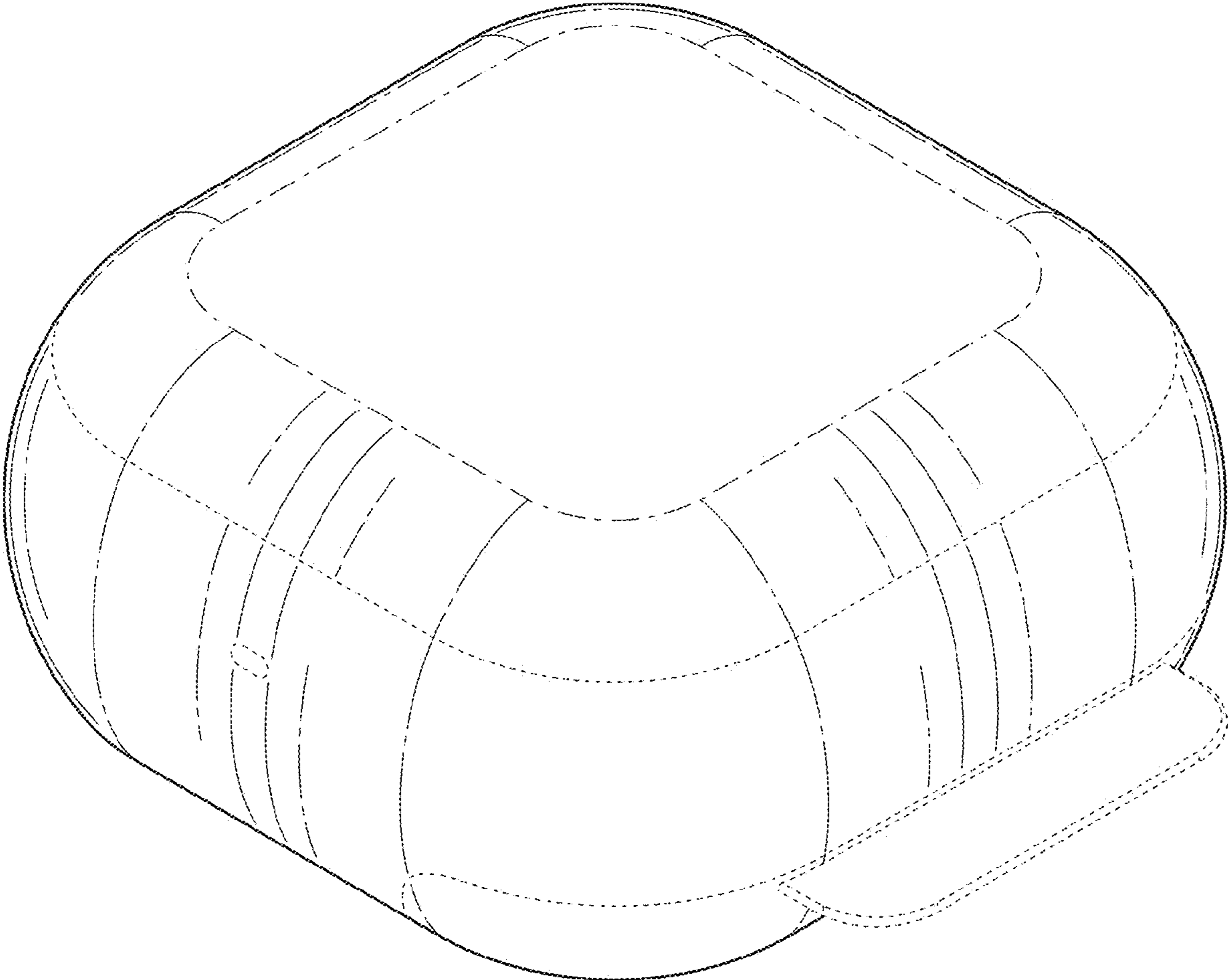


FIG. 2

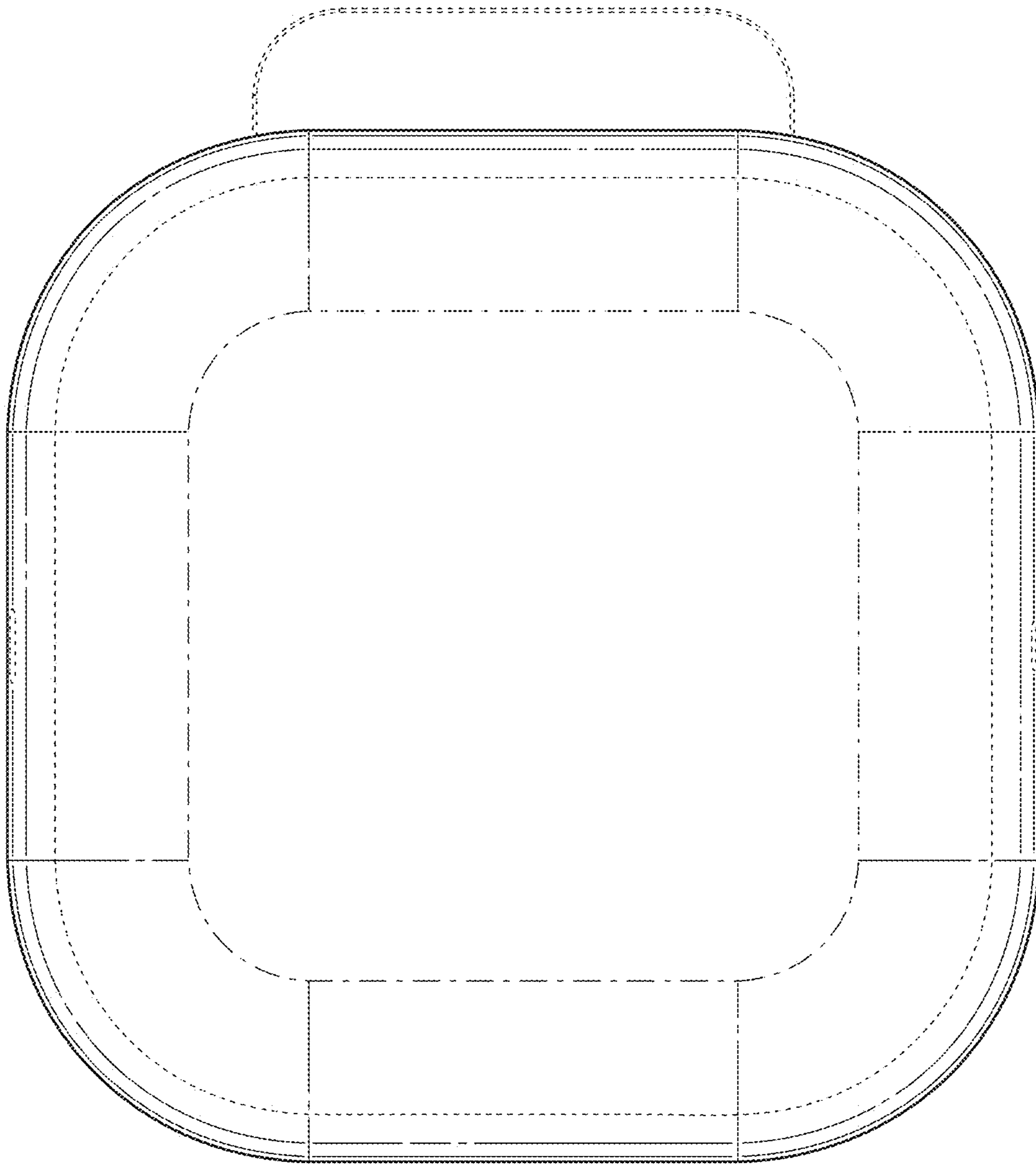


FIG. 3

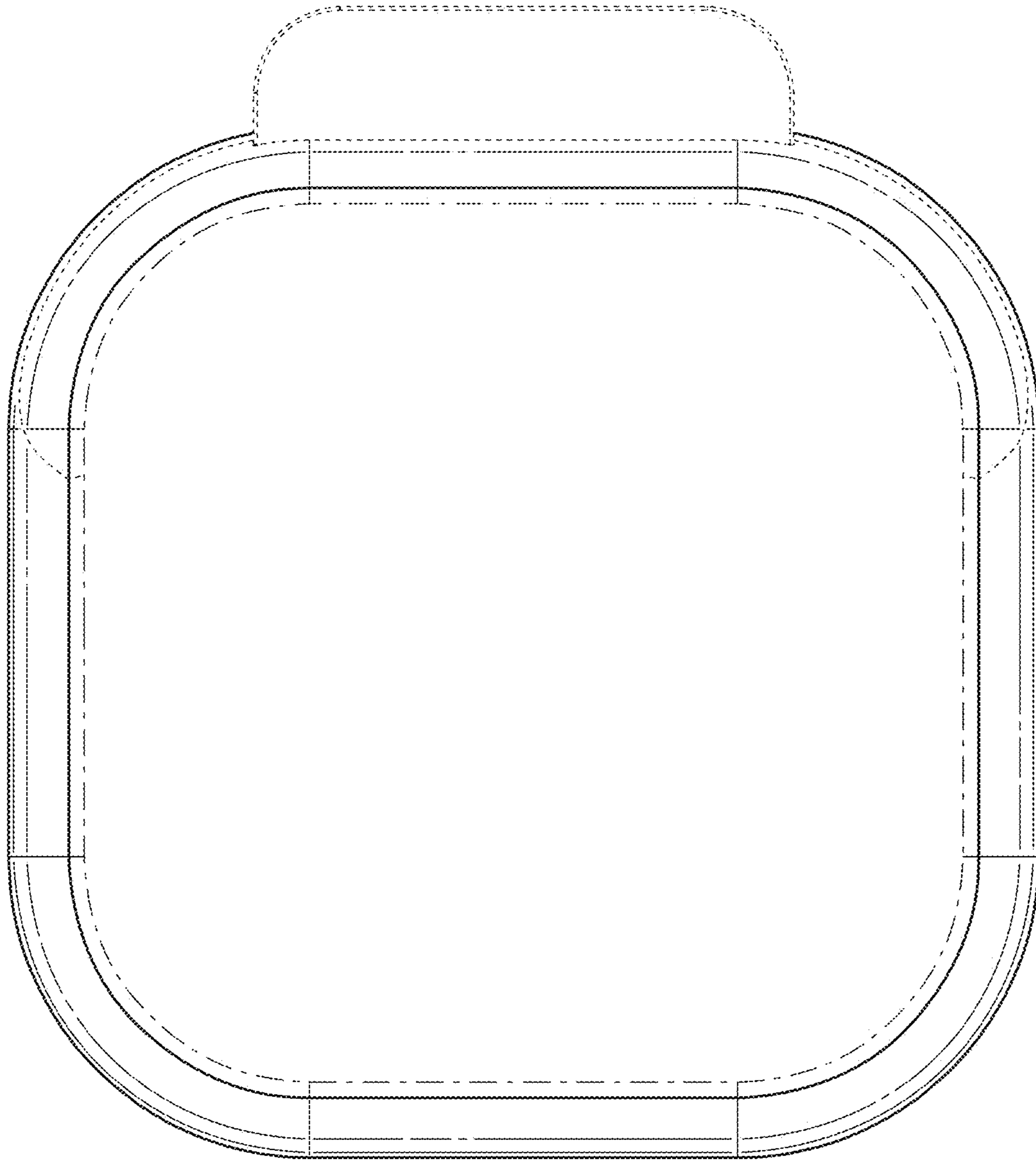


FIG. 4

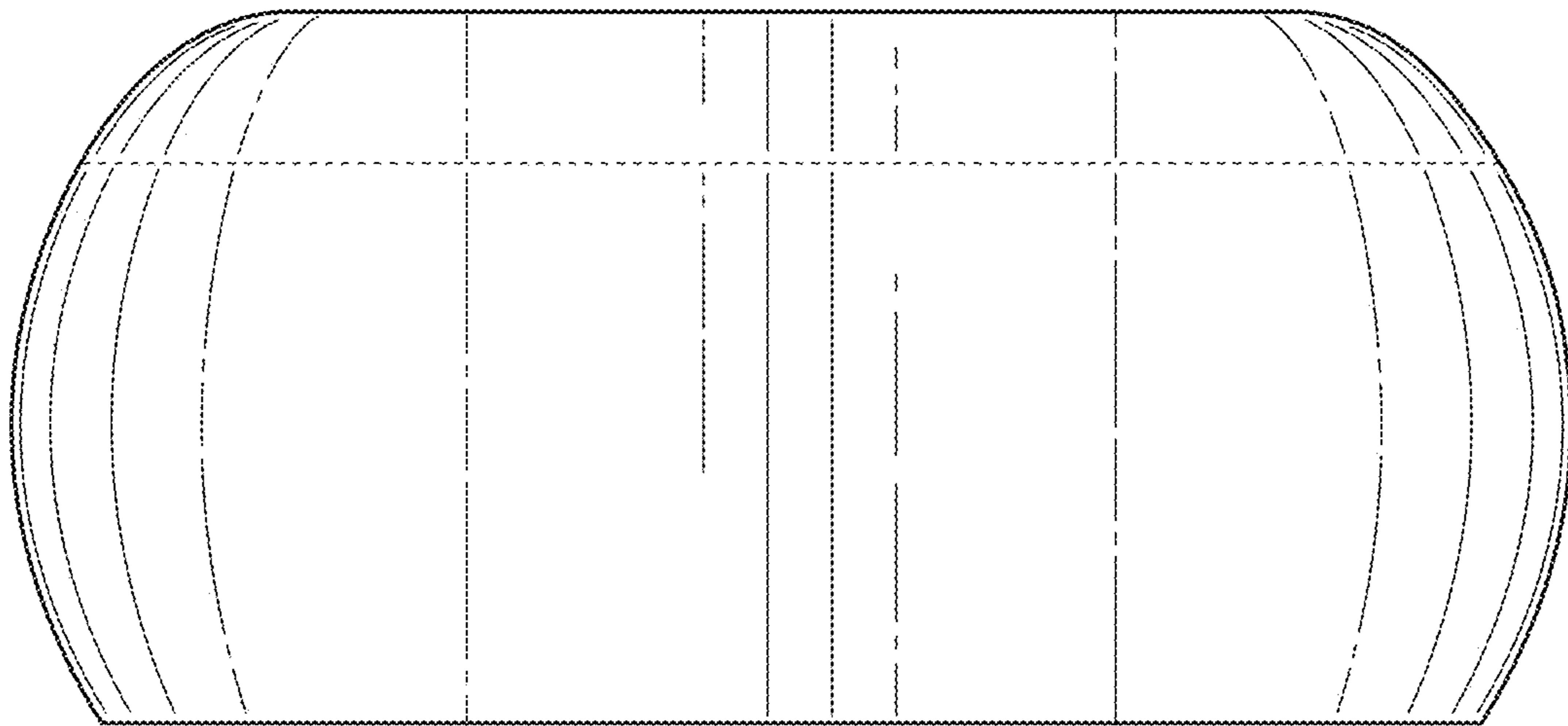


FIG. 5

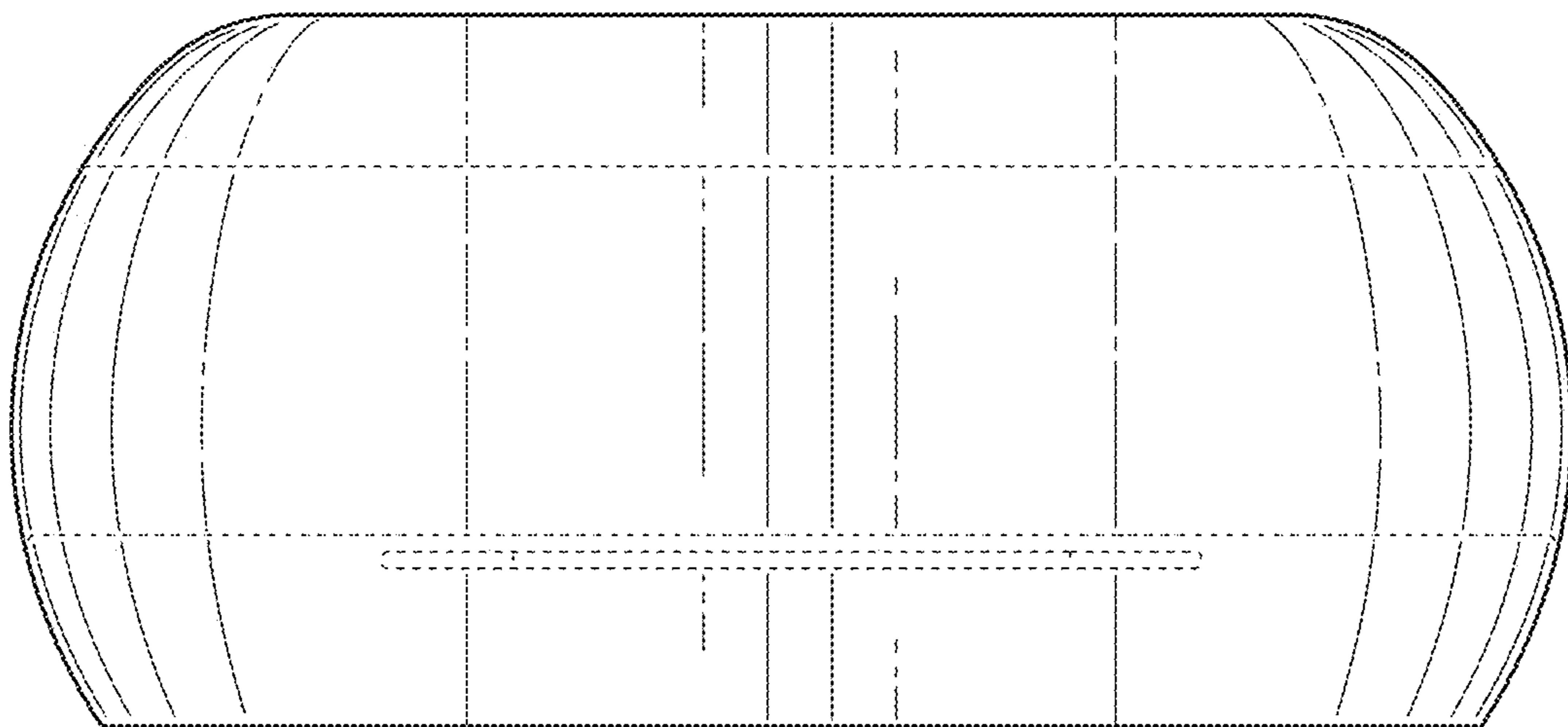


FIG. 6

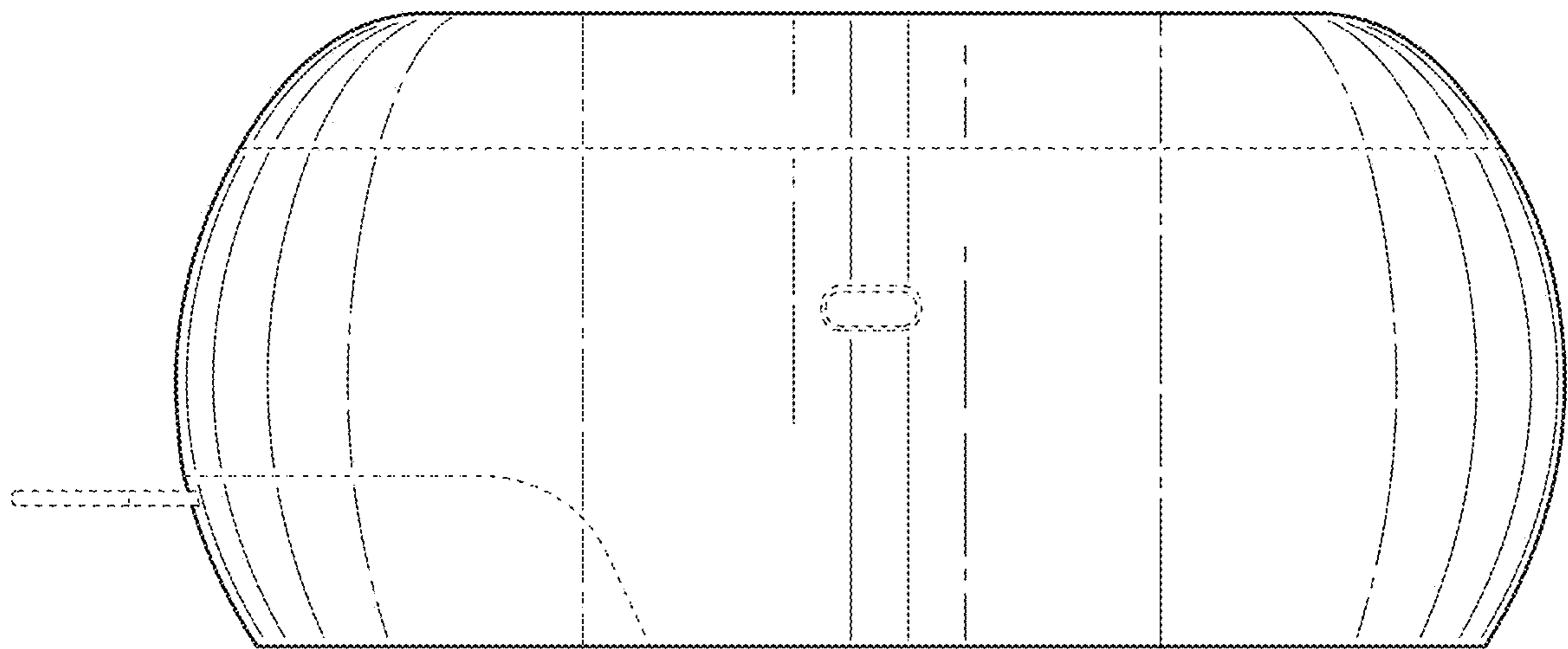


FIG. 7



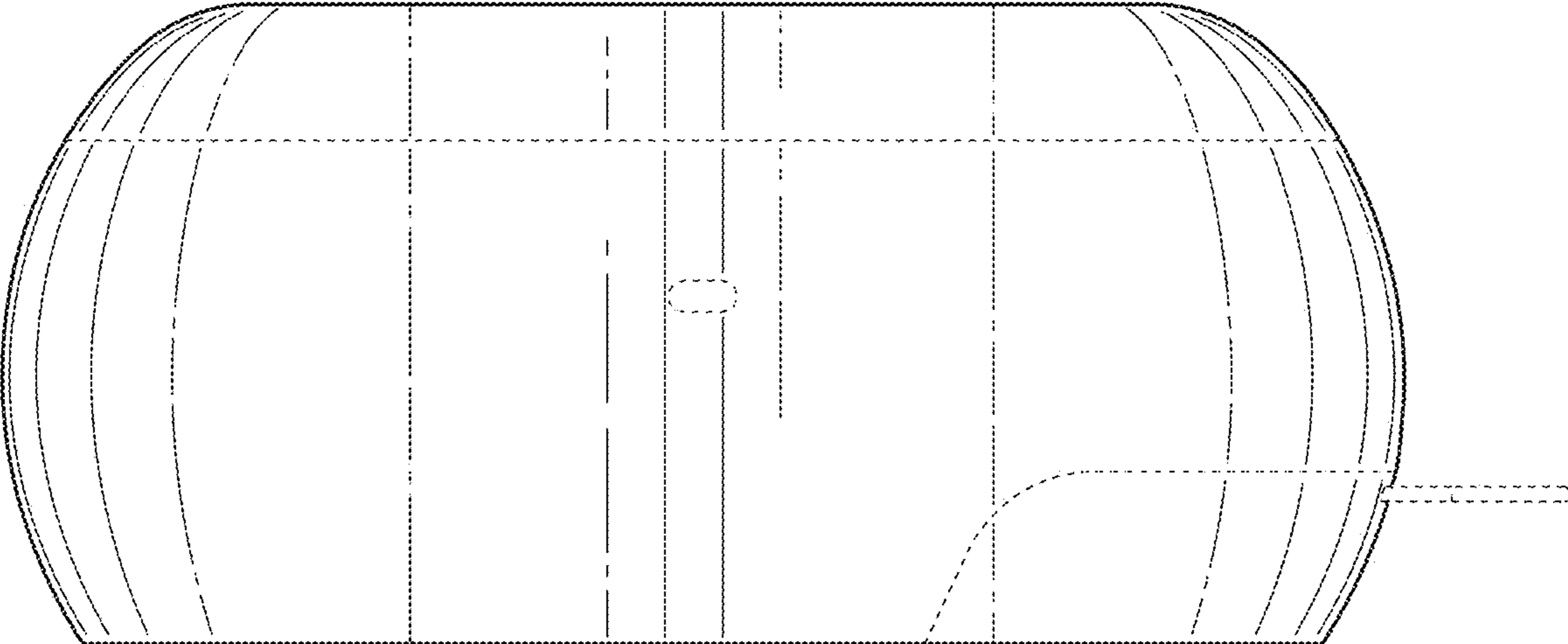


FIG. 8