

US00D893031S

(12) **United States Design Patent** (10) **Patent No.:** **US D893,031 S**
Chang et al. (45) **Date of Patent:** **** Aug. 11, 2020**

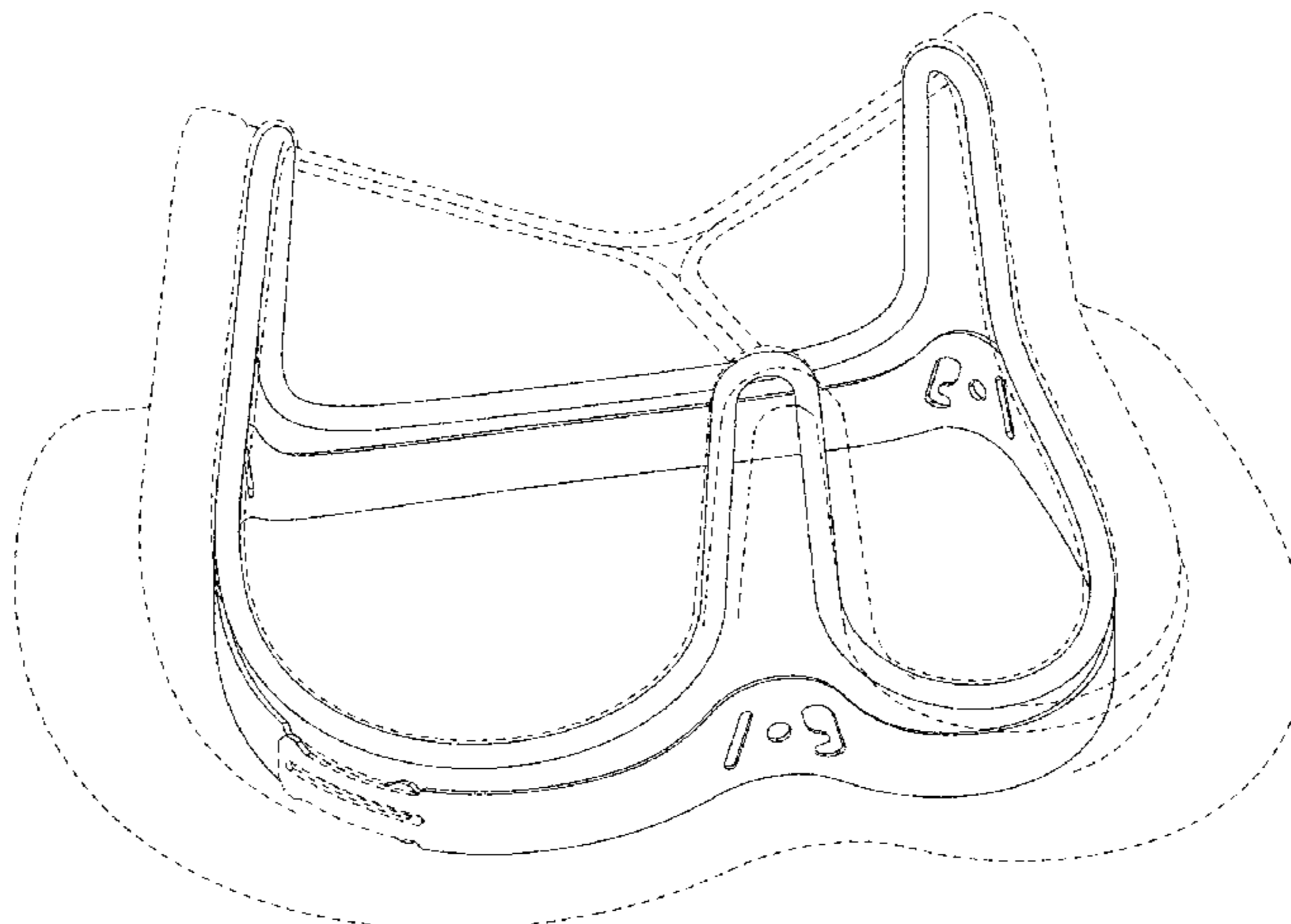
- (54) **PROSTHETIC HEART VALVE** 4,079,468 A 3/1978 Liotta et al.
4,084,268 A 4/1978 Ionescu et al.
(71) Applicant: **Edwards Lifesciences Corporation,** 4,106,129 A 8/1978 Carpentier et al.
Irvine, CA (US) 4,172,295 A 10/1979 Batten
4,217,665 A 8/1980 Bex et al.
(72) Inventors: **Da-Yu Chang,** Irvine, CA (US); **Brian** 4,218,782 A 8/1980 Rygg
S. Conklin, Orange, CA (US) 4,259,753 A 4/1981 Liotta et al.
RE30,912 E 4/1982 Hancock
4,340,091 A * 7/1982 Skelton A61F 2/06
139/383 R
(73) Assignee: **Edwards Lifesciences Corporation,** 4,343,048 A 8/1982 Ross et al.
Irvine, CA (US) 4,364,126 A 12/1982 Rosen et al.
4,388,735 A 6/1983 Ionescu et al.
(**) Term: **15 Years** 4,441,216 A 4/1984 Ionescu et al.
4,451,936 A 6/1984 Carpentier et al.
(21) Appl. No.: **29/713,540** 4,470,157 A 9/1984 Love
4,490,859 A 1/1985 Black et al.
(22) Filed: **Nov. 15, 2019** 4,501,030 A 2/1985 Lane
4,506,394 A 3/1985 Bedard
4,535,483 A 8/1985 Klawitter et al.
4,566,465 A 1/1986 Arhan et al.
4,605,407 A 8/1986 Black et al.
(60) Division of application No. 29/579,402, filed on Sep. 29, 2016, now Pat. No. Des. 867,594, which is a continuation-in-part of application No. 14/745,287, filed on Jun. 19, 2015, now Pat. No. 9,504,566. 4,626,255 A 12/1986 Reichart et al.
4,629,459 A 12/1986 Ionescu et al.
4,680,031 A 7/1987 Alonso
4,687,483 A 8/1987 Fisher et al.
4,705,516 A 11/1987 Barone et al.
(51) **LOC (12) Cl.** **24-03** 4,725,274 A 2/1988 Lane et al.
(52) **U.S. Cl.** 4,731,074 A 3/1988 Rousseau et al.
USPC **D24/155** 4,778,461 A 10/1988 Pietsch et al.
(58) **Field of Classification Search** 4,790,843 A 12/1988 Carpentier et al.
USPC D24/155 4,851,000 A 7/1989 Gupta
CPC A61F 2/07; A61F 2/90; A61F 2/958; A61F 4,863,470 A 9/1989 Carter
2002/016; A61F 2002/072; A61F 4,888,009 A 12/1989 Lederman et al.
2002/075; A61F 2002/91541; A61F 4,914,097 A 4/1990 Oda et al.
2220/0075; A61F 2230/0069 4,960,424 A 10/1990 Grooters
4,993,428 A 2/1991 Arms
5,010,892 A 4/1991 Colvin et al.
5,032,128 A 7/1991 Alonso
5,037,434 A 8/1991 Lane
5,147,391 A 9/1992 Lane
5,163,955 A 11/1992 Love et al.
5,258,023 A 11/1993 Reger
5,316,016 A 5/1994 Adams et al.
5,326,370 A 7/1994 Love et al.
5,326,371 A 7/1994 Love et al.
5,332,402 A 7/1994 Teitelbaum
5,360,014 A 11/1994 Sauter et al.
5,360,444 A 11/1994 Kusuhara
5,376,112 A 12/1994 Duran
5,396,887 A 3/1995 Imran
5,397,351 A 3/1995 Pavcnik et al.
5,423,887 A 6/1995 Love et al.

Related U.S. Application Data

References Cited

U.S. PATENT DOCUMENTS

- 3,143,742 A 8/1964 Cromie
3,320,972 A 5/1967 High et al.
3,371,352 A 3/1968 Siposs et al.
3,546,710 A 12/1970 Shumakov et al.
3,574,865 A 4/1971 Hamaker
3,755,823 A 9/1973 Hancock
3,839,741 A 10/1974 Haller
4,035,849 A 7/1977 Angell et al.
4,078,468 A 3/1978 Civitello



US D893,031 S

5,425,741 A	6/1995	Lemp et al.	6,312,447 B1	11/2001	Grimes	
5,431,676 A	7/1995	Dubrul et al.	6,312,465 B1	11/2001	Griffin et al.	
5,449,384 A	9/1995	Johnson	6,328,727 B1	12/2001	Frazier et al.	
5,449,385 A	9/1995	Religa et al.	6,350,282 B1	2/2002	Eberhardt	
5,469,868 A	11/1995	Reger	6,371,983 B1	4/2002	Lane	
5,488,789 A	2/1996	Religa et al.	6,375,620 B1	4/2002	Oser et al.	
5,489,296 A	2/1996	Love et al.	6,402,780 B2	6/2002	Williamson, IV et al.	
5,489,297 A	2/1996	Duran	6,425,916 B1	7/2002	Garrison et al.	
5,489,298 A	2/1996	Love et al.	6,440,164 B1	8/2002	Di Matteo et al.	
5,500,016 A	3/1996	Fisher	6,454,799 B1	9/2002	Schreck	
5,533,515 A	7/1996	Coller et al.	6,458,153 B1	10/2002	Bailey et al.	
5,549,665 A	8/1996	Vesely et al.	6,468,305 B1	10/2002	Otte	
5,562,729 A	10/1996	Purdy et al.	6,491,624 B1	12/2002	Lotfi	
5,571,215 A	11/1996	Sterman et al.	6,582,462 B1	6/2003	Andersen et al.	
5,573,007 A	11/1996	Bobo, Sr.	6,582,464 B2 *	6/2003	Gabbay	A61F 2/2412
5,578,076 A	11/1996	Krueger et al.				623/2.38
5,584,803 A	12/1996	Stevens et al.	6,585,766 B1	7/2003	Huynh et al.	
5,618,307 A	4/1997	Donlon et al.	6,613,087 B1	9/2003	Healy et al.	
5,626,607 A	5/1997	Malecki et al.	6,652,578 B2	11/2003	Bailey et al.	
5,628,789 A	5/1997	Vanney et al.	6,682,559 B2	1/2004	Myers et al.	
5,693,090 A	12/1997	Unsworth et al.	6,685,739 B2	2/2004	DiMatteo et al.	
5,695,503 A	12/1997	Krueger et al.	6,730,118 B2	5/2004	Spenser et al.	
5,713,952 A	2/1998	Vanney et al.	6,733,525 B2	5/2004	Yang et al.	
5,716,370 A	2/1998	Williamson, IV et al.	6,764,508 B1	7/2004	Roehe et al.	
5,728,064 A	3/1998	Burns et al.	6,767,362 B2	7/2004	Schreck	
5,728,151 A	3/1998	Garrison et al.	6,773,457 B2	8/2004	Ivancev et al.	
5,735,894 A	4/1998	Krueger et al.	6,786,925 B1	9/2004	Schoon et al.	
5,752,522 A	5/1998	Murphy	6,790,229 B1	9/2004	Berrekouw	
5,755,782 A	5/1998	Love et al.	6,790,230 B2	9/2004	Beyersdorf et al.	
5,766,240 A	6/1998	Johnson	6,805,711 B2	10/2004	Quijano et al.	
5,800,527 A	9/1998	Jansen et al.	6,893,459 B1	5/2005	Macoviak	
5,814,097 A	9/1998	Sterman et al.	6,893,460 B2	5/2005	Spenser et al.	
5,814,098 A	9/1998	Hinnenkamp et al.	6,908,481 B2	6/2005	Cribier	
5,824,064 A	10/1998	Taheri	6,939,365 B1	9/2005	Fogarty et al.	
5,824,068 A	10/1998	Bugge	7,011,681 B2	3/2006	Vesely	
5,840,081 A	11/1998	Andersen et al.	7,018,404 B2	3/2006	Holmberg et al.	
5,848,969 A	12/1998	Panescu et al.	7,025,780 B2	4/2006	Gabbay	
5,855,563 A	1/1999	Kaplan et al.	7,070,616 B2	7/2006	Majercak et al.	
5,855,601 A	1/1999	Bessler et al.	7,097,659 B2	8/2006	Woolfson et al.	
5,855,801 A	1/1999	Lin et al.	7,101,396 B2	9/2006	Artof et al.	
5,861,028 A	1/1999	Angell	7,137,184 B2 *	11/2006	Schreck	A61F 2/2412
5,891,160 A	4/1999	Williamson, IV et al.				29/447
5,895,420 A	4/1999	Mirsch, II et al.	7,147,663 B1	12/2006	Berg et al.	
5,902,308 A	5/1999	Murphy	7,153,324 B2	12/2006	Case et al.	
5,908,450 A	6/1999	Gross et al.	7,195,641 B2	3/2007	Palmaz et al.	
5,919,147 A	7/1999	Jain	7,201,771 B2	4/2007	Lane	
5,921,934 A	7/1999	Teo	7,201,772 B2	4/2007	Schwammenthal et al.	
5,921,935 A	7/1999	Hickey	7,238,200 B2	7/2007	Lee et al.	
5,924,984 A	7/1999	Rao	7,247,167 B2 *	7/2007	Gabbay	A61F 2/2412
5,935,163 A *	8/1999	Gabbay				623/2.14
5,957,949 A	9/1999	Leonhardt et al.	7,252,682 B2	8/2007	Seguin	
5,972,004 A	10/1999	Williamson, IV et al.	7,261,732 B2	8/2007	Justino	
5,984,959 A	11/1999	Robertson et al.	7,333,013 B2	2/2008	Berger	
5,984,973 A	11/1999	Girard et al.	RE40,377 E	6/2008	Williamson, IV et al.	
6,010,531 A	1/2000	Donlon et al.	7,422,603 B2	9/2008	Lane	
6,042,554 A	3/2000	Rosenman et al.	7,474,223 B2	1/2009	Nycz et al.	
6,042,607 A	3/2000	Williamson, IV et al.	7,513,909 B2	4/2009	Lane et al.	
6,048,362 A	4/2000	Berg	7,556,647 B2	7/2009	Drews et al.	
6,066,160 A	5/2000	Colvin et al.	7,569,072 B2	8/2009	Berg et al.	
6,074,418 A	6/2000	Buchanan et al.	7,998,151 B2	8/2011	St. Goar et al.	
6,081,737 A	6/2000	Shah	8,075,536 B2	12/2011	Gray et al.	
6,099,475 A	8/2000	Seward et al.	8,784,481 B2 *	7/2014	Alkhatib	A61F 2/2418
6,106,550 A	8/2000	Magovern et al.				623/2.18
6,110,200 A	8/2000	Hinnenkamp	8,845,720 B2	9/2014	Conklin	
6,117,091 A	9/2000	Young et al.	8,998,981 B2	4/2015	Tuval et al.	
6,126,007 A	10/2000	Kari et al.	9,089,422 B2	7/2015	Ryan et al.	
6,162,233 A	12/2000	Williamson, IV et al.	2001/0039435 A1	11/2001	Roue et al.	
6,168,614 B1	1/2001	Andersen et al.	2001/0039436 A1	11/2001	Frazier et al.	
6,176,877 B1	1/2001	Buchanan et al.	2001/0041914 A1	11/2001	Frazier et al.	
6,197,054 B1	3/2001	Hamblin, Jr. et al.	2001/0041915 A1	11/2001	Roue et al.	
6,217,611 B1	4/2001	Klostermeyer	2001/0049492 A1	12/2001	Frazier et al.	
6,231,561 B1	5/2001	Frazier et al.	2002/0020074 A1	2/2002	Love et al.	
6,241,765 B1	6/2001	Griffin et al.	2002/0026238 A1	2/2002	Lane et al.	
6,245,102 B1	6/2001	Jayaraman	2002/0032481 A1	3/2002	Gabbay	
6,264,611 B1	7/2001	Ishikawa et al.	2002/0058995 A1	5/2002	Stevens	
6,283,127 B1	9/2001	Sterman et al.	2002/0123802 A1	9/2002	Snyders	
6,287,339 B1	9/2001	Vazquez et al.	2002/0138138 A1	9/2002	Yang	
6,290,674 B1	9/2001	Roue et al.	2002/0151970 A1	10/2002	Garrison et al.	
			2002/0188348 A1	12/2002	DiMatteo et al.	

US D893,031 S

2002/0198594	A1	12/2002	Schreck		2006/0085060	A1	4/2006	Campbell	
2003/0014104	A1	1/2003	Cribier		2006/0095125	A1	5/2006	Chinn et al.	
2003/0023300	A1	1/2003	Bailey et al.		2006/0122634	A1	6/2006	Ino et al.	
2003/0023303	A1	1/2003	Palmaz et al.		2006/0149360	A1	7/2006	Schwammenthal et al.	
2003/0036795	A1	2/2003	Andersen et al.		2006/0154230	A1	7/2006	Cunanan et al.	
2003/0040792	A1	2/2003	Gabbay		2006/0167543	A1	7/2006	Bailey et al.	
2003/0055495	A1	3/2003	Pease et al.		2006/0195184	A1	8/2006	Lane et al.	
2003/0055496	A1*	3/2003	Cai	A61F 2/2412 623/2.19	2006/0195185	A1	8/2006	Lane et al.	
					2006/0195186	A1	8/2006	Drews et al.	
2003/0105519	A1	6/2003	Fasol et al.		2006/0207031	A1	9/2006	Cunanan et al.	
2003/0109924	A1	6/2003	Cribier		2006/0259136	A1	11/2006	Nguyen et al.	
2003/0114913	A1	6/2003	Spenser et al.		2006/0271172	A1	11/2006	Tehrani	
2003/0130729	A1	7/2003	Paniagua et al.		2006/0271175	A1	11/2006	Woolfson et al.	
2003/0149478	A1	8/2003	Figulla et al.		2006/0276813	A1*	12/2006	Greenberg	A61F 2/2418 606/158
2003/0167089	A1	9/2003	Lane						
2003/0236568	A1	12/2003	Hojeibane et al.		2006/0287717	A1	12/2006	Rowe et al.	
2004/0019374	A1	1/2004	Hojeibane et al.		2006/0287719	A1	12/2006	Rowe et al.	
2004/0034411	A1	2/2004	Quijano et al.		2007/0010876	A1	1/2007	Salahieh et al.	
2004/0044406	A1	3/2004	Woolfson et al.		2007/0016285	A1	1/2007	Lane et al.	
2004/0106976	A1	6/2004	Bailey et al.		2007/0016286	A1	1/2007	Herrmann et al.	
2004/0122514	A1	6/2004	Fogarty et al.		2007/0016288	A1	1/2007	Gurskis et al.	
2004/0122516	A1	6/2004	Fogarty et al.		2007/0043435	A1	2/2007	Seguin et al.	
2004/0167573	A1	8/2004	Williamson et al.		2007/0078509	A1	4/2007	Lotfy	
2004/0167619	A1	8/2004	Case et al.		2007/0078510	A1	4/2007	Ryan	
2004/0186563	A1	9/2004	Lobbi		2007/0100440	A1	5/2007	Figulla et al.	
2004/0186565	A1	9/2004	Schreck		2007/0129794	A1	6/2007	Realyvasquez	
2004/0193261	A1	9/2004	Berrekouw		2007/0142906	A1	6/2007	Figulla et al.	
2004/0206363	A1	10/2004	McCarthy et al.		2007/0142907	A1	6/2007	Moaddeb et al.	
2004/0210304	A1	10/2004	Seguin et al.		2007/0150053	A1	6/2007	Gurskis et al.	
2004/0210307	A1	10/2004	Khairkhahan		2007/0156233	A1	7/2007	Kapadia et al.	
2004/0225355	A1	11/2004	Stevens		2007/0162103	A1	7/2007	Case et al.	
2004/0236411	A1	11/2004	Sarac et al.		2007/0162107	A1	7/2007	Haug et al.	
2004/0260389	A1	12/2004	Case et al.		2007/0162111	A1	7/2007	Fukamachi et al.	
2004/0260390	A1	12/2004	Sarac et al.		2007/0179604	A1	8/2007	Lane	
2005/0010285	A1	1/2005	Lambrecht et al.		2007/0185565	A1	8/2007	Schwammenthal et al.	
2005/0027348	A1	2/2005	Case et al.		2007/0198097	A1	8/2007	Zegdi	
2005/0033398	A1	2/2005	Seguin		2007/0203575	A1	8/2007	Forster et al.	
2005/0043760	A1	2/2005	Fogarty et al.		2007/0203576	A1	8/2007	Lee et al.	
2005/0043790	A1	2/2005	Seguin		2007/0213813	A1	9/2007	Von Segesser et al.	
2005/0060029	A1	3/2005	Le et al.		2007/0225801	A1	9/2007	Drews et al.	
2005/0065594	A1	3/2005	DiMatteo et al.		2007/0233237	A1	10/2007	Krivoruchko	
2005/0065614	A1	3/2005	Stinson		2007/0238979	A1	10/2007	Huynh et al.	
2005/0075584	A1	4/2005	Cali		2007/0239266	A1	10/2007	Birdsall	
2005/0075713	A1	4/2005	Biancucci et al.		2007/0239269	A1	10/2007	Dolan et al.	
2005/0075717	A1	4/2005	Nguyen et al.		2007/0239273	A1	10/2007	Allen	
2005/0075718	A1	4/2005	Nguyen et al.		2007/0255398	A1	11/2007	Yang et al.	
2005/0075719	A1	4/2005	Bergheim		2007/0260305	A1	11/2007	Drews et al.	
2005/0075720	A1	4/2005	Nguyen et al.		2007/0265701	A1	11/2007	Gurskis et al.	
2005/0075724	A1	4/2005	Svanidze et al.		2007/0270944	A1	11/2007	Bergheim et al.	
2005/0080454	A1	4/2005	Drews et al.		2007/0282436	A1	12/2007	Pinchuk	
2005/0096738	A1	5/2005	Cali et al.		2007/0288089	A1	12/2007	Gurskis et al.	
2005/0137682	A1	6/2005	Justino		2008/0033543	A1	2/2008	Gurskis et al.	
2005/0137686	A1	6/2005	Salahieh et al.		2008/0039934	A1*	2/2008	Styrc	A61F 2/2409 623/2.17
2005/0137687	A1	6/2005	Salahieh et al.						
2005/0137688	A1	6/2005	Salahieh et al.		2008/0071369	A1*	3/2008	Tuval	A61F 2/2418 623/2.38
2005/0137690	A1	6/2005	Salahieh et al.						
2005/0137692	A1	6/2005	Haug et al.		2008/0119875	A1	5/2008	Ino et al.	
2005/0137695	A1	6/2005	Salahieh et al.		2008/0154356	A1	6/2008	Obermiller et al.	
2005/0159811	A1	7/2005	Lane		2008/0228263	A1*	9/2008	Ryan	A61F 2/2418 623/2.11
2005/0165479	A1	7/2005	Drews et al.						
2005/0182486	A1	8/2005	Gabbay		2008/0319543	A1	12/2008	Lane	
2005/0192665	A1	9/2005	Spenser et al.		2009/0036903	A1	2/2009	Ino et al.	
2005/0203616	A1	9/2005	Cribier		2009/0138079	A1*	5/2009	Tuval	A61F 2/2418 623/2.11
2005/0203617	A1	9/2005	Forster et al.						
2005/0203618	A1	9/2005	Sharkawy et al.		2009/0156928	A1	6/2009	Evans et al.	
2005/0216079	A1	9/2005	MaCoviak		2009/0192591	A1	7/2009	Ryan et al.	
2005/0222674	A1	10/2005	Paine		2009/0192599	A1	7/2009	Lane et al.	
2005/0234546	A1	10/2005	Nugent et al.		2009/0264989	A1	10/2009	Bonhoeffer et al.	
2005/0240263	A1	10/2005	Fogarty et al.		2010/0049313	A1	2/2010	Alon et al.	
2005/0251252	A1	11/2005	Stobie		2010/0168839	A1*	7/2010	Braido	A61F 2/2418 623/1.26
2005/0261765	A1	11/2005	Liddicoat						
2005/0283231	A1	12/2005	Haug et al.		2010/0185277	A1*	7/2010	Braido	A61F 2/2412 623/2.18
2006/0008497	A1*	1/2006	Gabbay	A61F 2/0077 424/422					
2006/0025857	A1	2/2006	Bergheim et al.		2010/0249923	A1*	9/2010	Alkhatib	A61F 2/2418 623/2.18
2006/0052867	A1	3/2006	Revuelta et al.						
2006/0058871	A1	3/2006	Zakay et al.		2010/0298931	A1*	11/2010	Quadri	A61F 2/2418 623/2.11
2006/0058872	A1	3/2006	Salahieh et al.						
2006/0074484	A1	4/2006	Huber		2011/0034802	A1	2/2011	Shrivastava et al.	

2012/0065503	A1	3/2012	Rogers et al.	
2014/0163673	A1	6/2014	Bruchman et al.	
2014/0343670	A1*	11/2014	Bakis	A61F 2/2436 623/2.11
2015/0018944	A1*	1/2015	O'Connell	A61F 2/2427 623/2.42
2016/0296324	A1	10/2016	Bapat et al.	
2018/0021554	A1	1/2018	Nebosky et al.	

FOREIGN PATENT DOCUMENTS

EP	0125393	A1	11/1984
EP	0143246	A2	6/1985
EP	1239795	B1	12/2006
JP	H1189940	A	4/1999
SU	1116573	A1	7/1985
SU	1697790	A1	12/1991
WO	9213502	A1	8/1992
WO	9742871	A1	11/1997
WO	2009106545	A1	9/2009
WO	2010019781	A1	2/2010
WO	2012018779	A2	2/2012

OTHER PUBLICATIONS

Bapat, et al., "Fluoroscopic Guide to an Ideal Implant Position for Sapien XT and CoreValve During a Valve-in-Valve Procedure", *Cardiovascular Interventions*, vol. 6, No. 11, 2013, Published by Elsevier Inc., London, United Kingdom, 9 pages.

* cited by examiner

Primary Examiner — Charles D Hanson
(74) *Attorney, Agent, or Firm* — Guy Cumberbatch

(57) **CLAIM**

The ornamental design for a prosthetic heart valve, as shown and described.

DESCRIPTION

FIG. 1 is a perspective view of another embodiment of a prosthetic heart valve.
 FIG. 2 is a front view of the embodiment of the prosthetic heart valve shown in FIG. 1.
 FIG. 3 is a back view of the embodiment of the prosthetic heart valve shown in FIG. 1.
 FIG. 4 is a left view of the embodiment of the prosthetic heart valve shown in FIG. 1.
 FIG. 5 is a right view of the embodiment of the prosthetic heart valve shown in FIG. 1.
 FIG. 6 is a top view of the embodiment of the prosthetic heart valve shown in FIG. 1.
 FIG. 7 is a bottom view of the embodiment of the prosthetic heart valve shown in FIG. 1.
 FIG. 8 is a perspective view of another embodiment of a prosthetic heart valve.
 FIG. 9 is a front view of the embodiment of the prosthetic heart valve shown in FIG. 8.
 FIG. 10 is a back view of the embodiment of the prosthetic heart valve shown in FIG. 8.
 FIG. 11 is a left view of the embodiment of the prosthetic heart valve shown in FIG. 8.
 FIG. 12 is a right view of the embodiment of the prosthetic heart valve shown in FIG. 8.
 FIG. 13 is a top view of the embodiment of the prosthetic heart valve shown in FIG. 8.
 FIG. 14 is a bottom view of the embodiment of the prosthetic heart valve shown in FIG. 8.

FIG. 15 is a perspective view of another embodiment of a prosthetic heart valve.
 FIG. 16 is a front view of the embodiment of the prosthetic heart valve shown in FIG. 15.
 FIG. 17 is a back view of the embodiment of the prosthetic heart valve shown in FIG. 15.
 FIG. 18 is a left view of the embodiment of the prosthetic heart valve shown in FIG. 15.
 FIG. 19 is a right view of the embodiment of the prosthetic heart valve shown in FIG. 15.
 FIG. 20 is a top view of the embodiment of the prosthetic heart valve shown in FIG. 15.
 FIG. 21 is a bottom view of the embodiment of the prosthetic heart valve shown in FIG. 15.
 FIG. 22 is a perspective view of another embodiment of a prosthetic heart valve.
 FIG. 23 is a front view of the embodiment of the prosthetic heart valve shown in FIG. 22.
 FIG. 24 is a back view of the embodiment of the prosthetic heart valve shown in FIG. 22.
 FIG. 25 is a left view of the embodiment of the prosthetic heart valve shown in FIG. 22.
 FIG. 26 is a right view of the embodiment of the prosthetic heart valve shown in FIG. 22.
 FIG. 27 is a top view of the embodiment of the prosthetic heart valve shown in FIG. 22.
 FIG. 28 is a bottom view of the embodiment of the prosthetic heart valve shown in FIG. 22.
 FIG. 29 is a perspective view of another embodiment of a prosthetic heart valve.
 FIG. 30 is a front view of the embodiment of the prosthetic heart valve shown in FIG. 29.
 FIG. 31 is a back view of the embodiment of the prosthetic heart valve shown in FIG. 29.
 FIG. 32 is a left view of the embodiment of the prosthetic heart valve shown in FIG. 29.
 FIG. 33 is a right view of the embodiment of the prosthetic heart valve shown in FIG. 29.
 FIG. 34 is a top view of the embodiment of the prosthetic heart valve shown in FIG. 29.
 FIG. 35 is a bottom view of the embodiment of the prosthetic heart valve shown in FIG. 29.
 FIG. 36 is a perspective view of another embodiment of a prosthetic heart valve.
 FIG. 37 is a front view of the embodiment of the prosthetic heart valve shown in FIG. 36.
 FIG. 38 is a back view of the embodiment of the prosthetic heart valve shown in FIG. 36.
 FIG. 39 is a left view of the embodiment of the prosthetic heart valve shown in FIG. 36.
 FIG. 40 is a right view of the embodiment of the prosthetic heart valve shown in FIG. 36.
 FIG. 41 is a top view of the embodiment of the prosthetic heart valve shown in FIG. 36.
 FIG. 42 is a bottom view of the embodiment of the prosthetic heart valve shown in FIG. 36.
 FIG. 43 is a perspective view of another embodiment of a prosthetic heart valve.
 FIG. 44 is a front view of the embodiment of the prosthetic heart valve shown in FIG. 43.
 FIG. 45 is a back view of the embodiment of the prosthetic heart valve shown in FIG. 43.
 FIG. 46 is a left view of the embodiment of the prosthetic heart valve shown in FIG. 43.

FIG. 47 is a right view of the embodiment of the prosthetic heart valve shown in FIG. 43.

FIG. 48 is a top view of the embodiment of the prosthetic heart valve shown in FIG. 43.

FIG. 49 is a bottom view of the embodiment of the prosthetic heart valve shown in FIG. 43.

FIG. 50 is a perspective view of another embodiment of a prosthetic heart valve.

FIG. 51 is a front view of the embodiment of the prosthetic heart valve shown in FIG. 50.

FIG. 52 is a back view of the embodiment of the prosthetic heart valve shown in FIG. 50.

FIG. 53 is a left view of the embodiment of the prosthetic heart valve shown in FIG. 50.

FIG. 54 is a right view of the embodiment of the prosthetic heart valve shown in FIG. 50.

FIG. 55 is a top view of the embodiment of the prosthetic heart valve shown in FIG. 50.

FIG. 56 is a bottom view of the embodiment of the prosthetic heart valve shown in FIG. 50.

FIG. 57 is a perspective view of another embodiment of a prosthetic heart valve.

FIG. 58 is a front view of the embodiment of the prosthetic heart valve shown in FIG. 57.

FIG. 59 is a back view of the embodiment of the prosthetic heart valve shown in FIG. 57.

FIG. 60 is a left view of the embodiment of the prosthetic heart valve shown in FIG. 57.

FIG. 61 is a right view of the embodiment of the prosthetic heart valve shown in FIG. 57.

FIG. 62 is a top view of the embodiment of the prosthetic heart valve shown in FIG. 57.

FIG. 63 is a bottom view of the embodiment of the prosthetic heart valve shown in FIG. 57.

FIG. 64 is a perspective view of another embodiment of a prosthetic heart valve.

FIG. 65 is a front view of the embodiment of the prosthetic heart valve shown in FIG. 64.

FIG. 66 is a back view of the embodiment of the prosthetic heart valve shown in FIG. 64.

FIG. 67 is a left view of the embodiment of the prosthetic heart valve shown in FIG. 64.

FIG. 68 is a right view of the embodiment of the prosthetic heart valve shown in FIG. 64.

FIG. 69 is a top view of the embodiment of the prosthetic heart valve shown in FIG. 64.

FIG. 70 is a bottom view of the embodiment of the prosthetic heart valve shown in FIG. 64.

FIG. 71 is a perspective view of another embodiment of a prosthetic heart valve.

FIG. 72 is a front view of the embodiment of the prosthetic heart valve shown in FIG. 71.

FIG. 73 is a back view of the embodiment of the prosthetic heart valve shown in FIG. 71.

FIG. 74 is a left view of the embodiment of the prosthetic heart valve shown in FIG. 71.

FIG. 75 is a right view of the embodiment of the prosthetic heart valve shown in FIG. 71.

FIG. 76 is a top view of the embodiment of the prosthetic heart valve shown in FIG. 71.

FIG. 77 is a bottom view of the embodiment of the prosthetic heart valve shown in FIG. 71.

FIG. 78 is a perspective view of another embodiment of a prosthetic heart valve.

FIG. 79 is a front view of the embodiment of the prosthetic heart valve shown in FIG. 78.

FIG. 80 is a back view of the embodiment of the prosthetic heart valve shown in FIG. 78.

FIG. 81 is a left view of the embodiment of the prosthetic heart valve shown in FIG. 78.

FIG. 82 is a right view of the embodiment of the prosthetic heart valve shown in FIG. 78.

FIG. 83 is a top view of the embodiment of the prosthetic heart valve shown in FIG. 78; and,

FIG. 84 is a bottom view of the embodiment of the prosthetic heart valve shown in FIG. 78.

Broken lines are used to illustrate features of the prosthetic heart valve that form no part of the claimed design.

1 Claim, 60 Drawing Sheets

Fig. 1

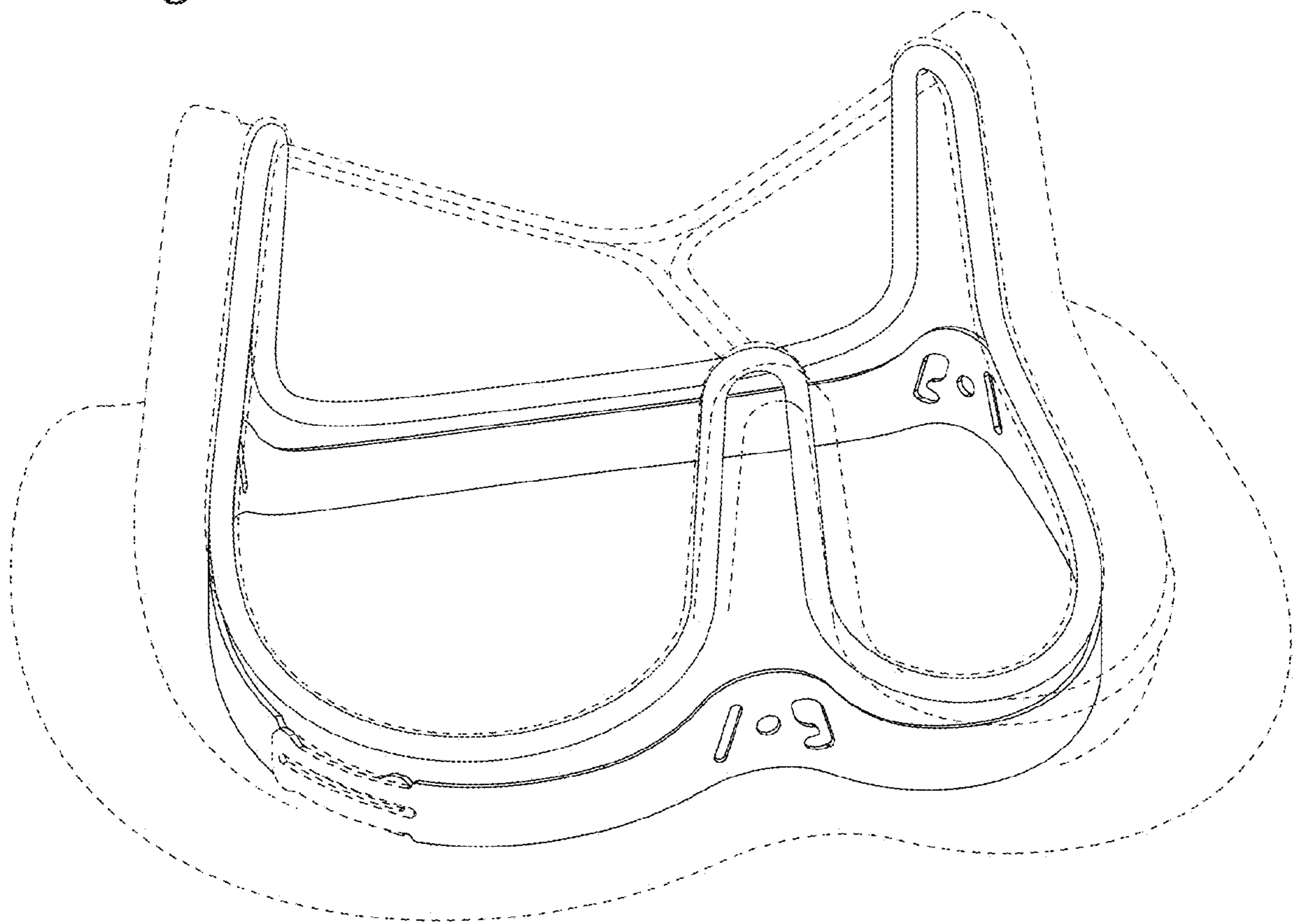


Fig. 2

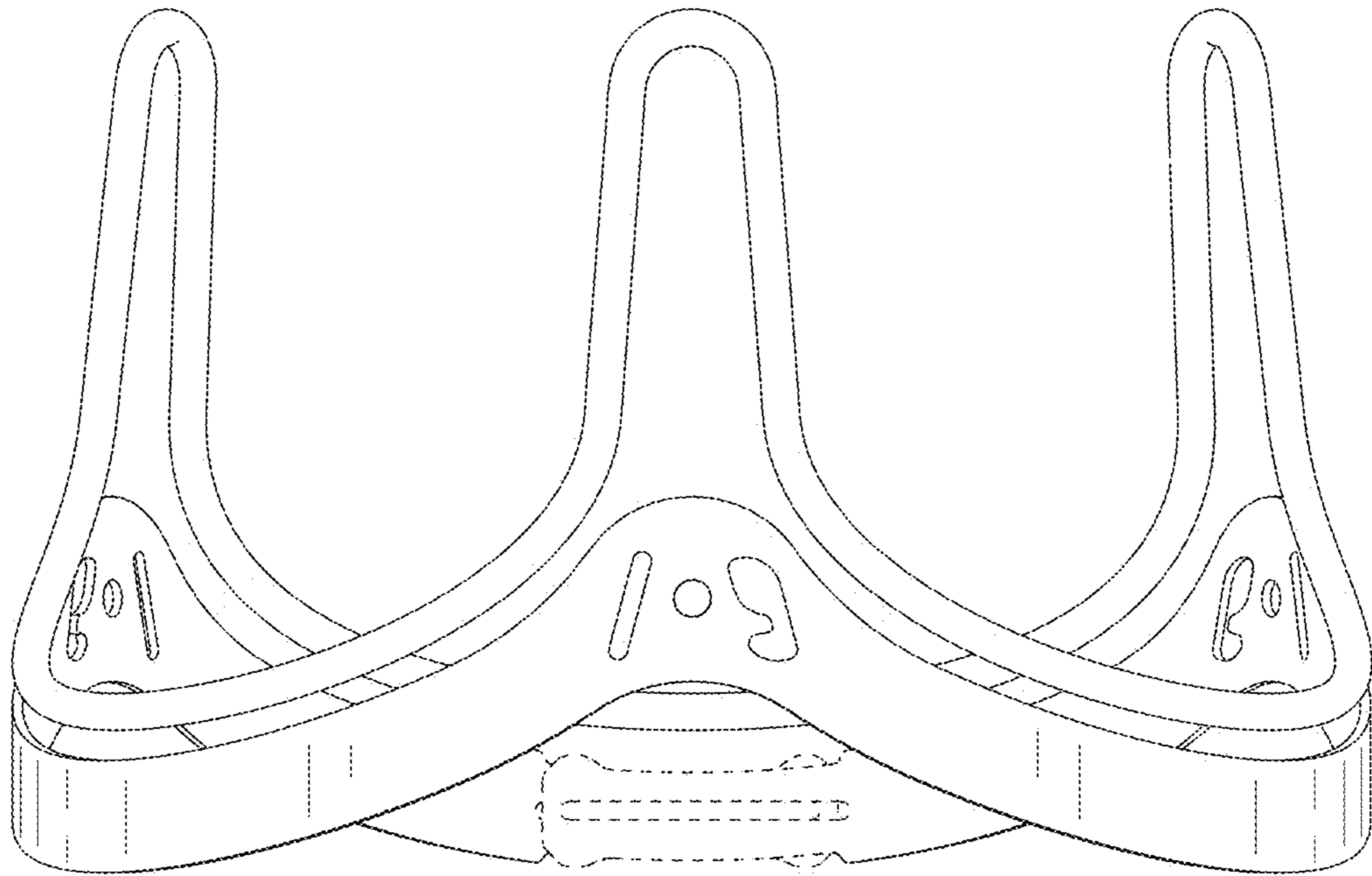


Fig. 3

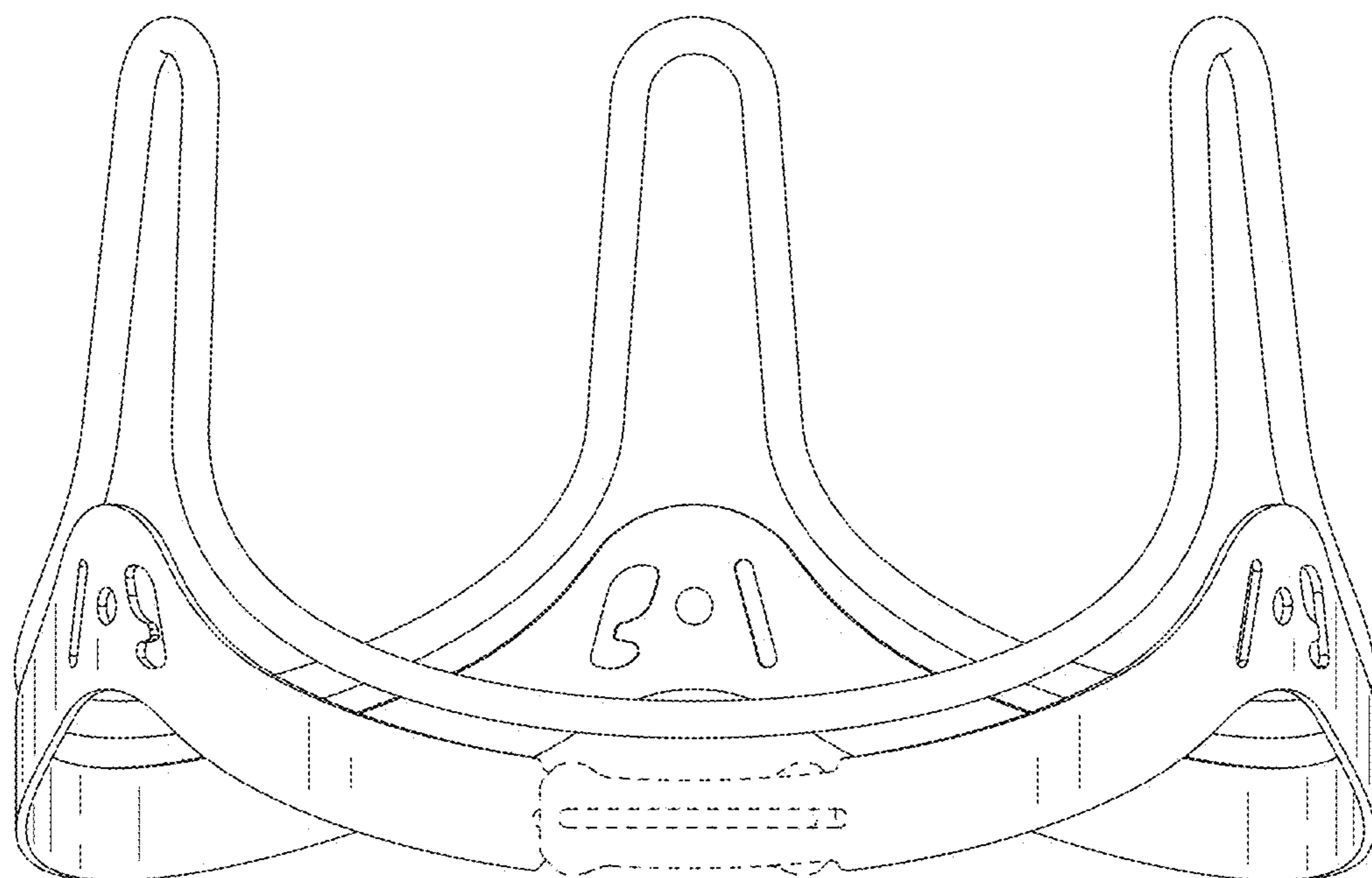


Fig. 4

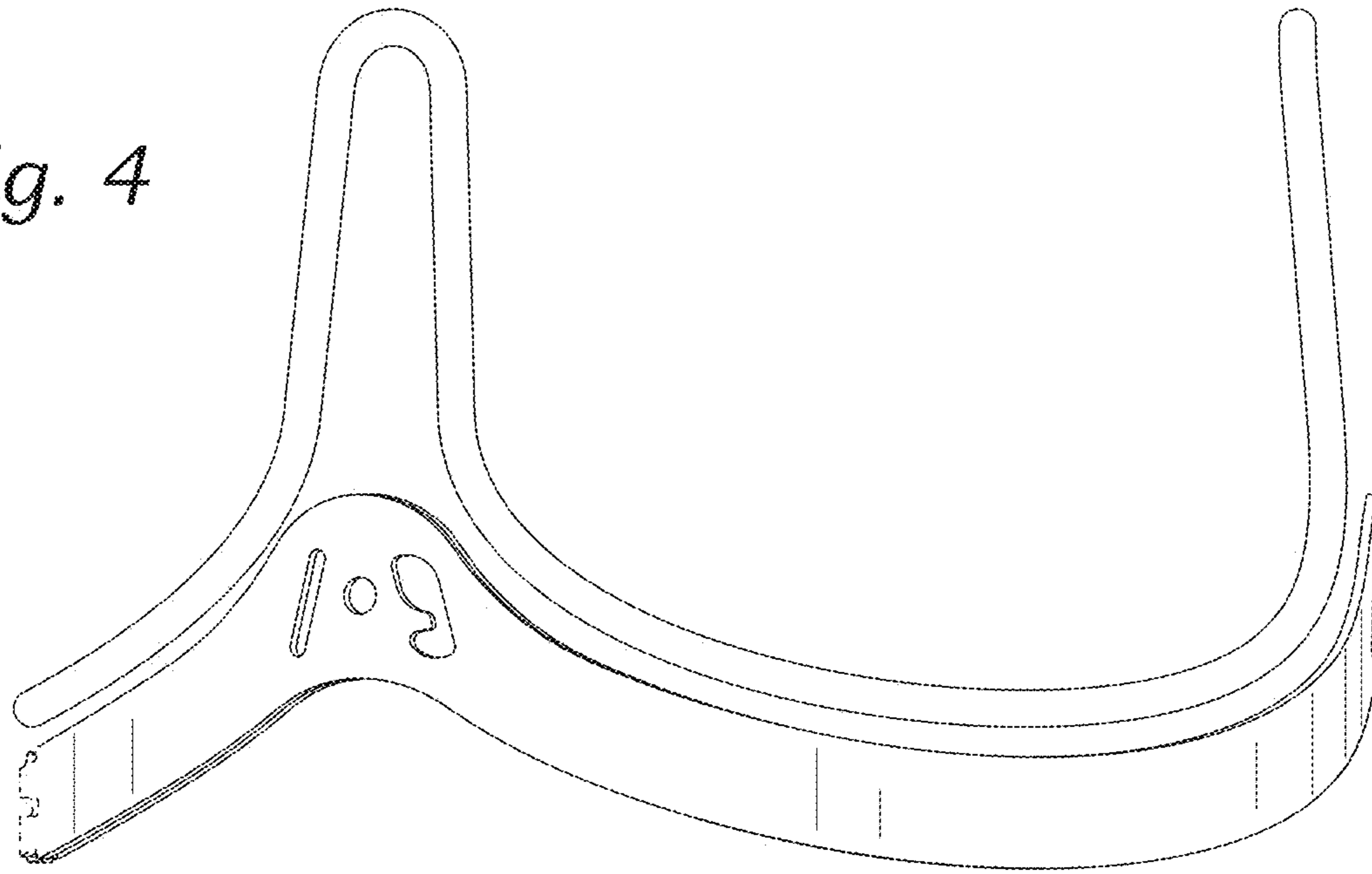


Fig. 5

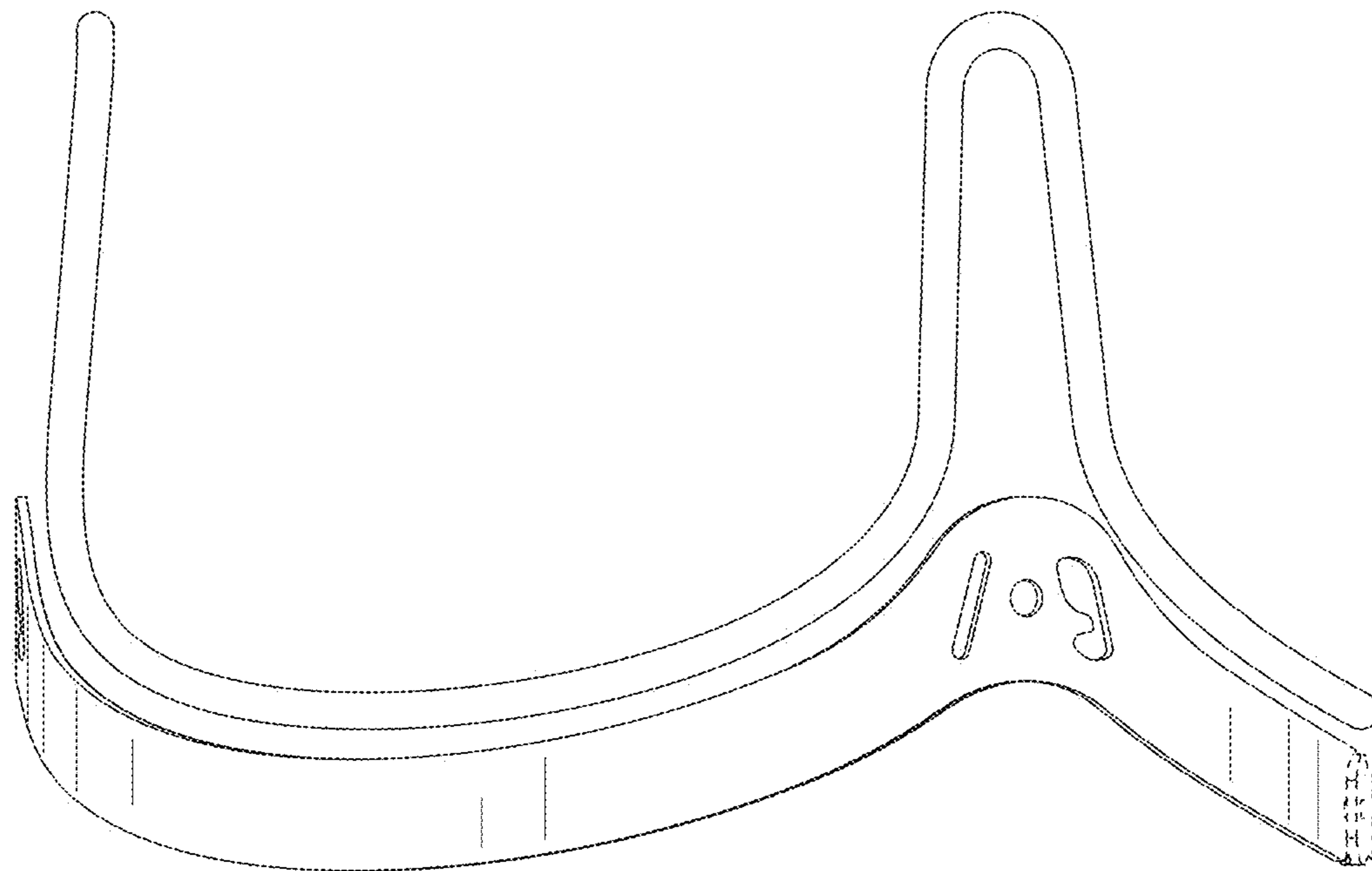


Fig. 6

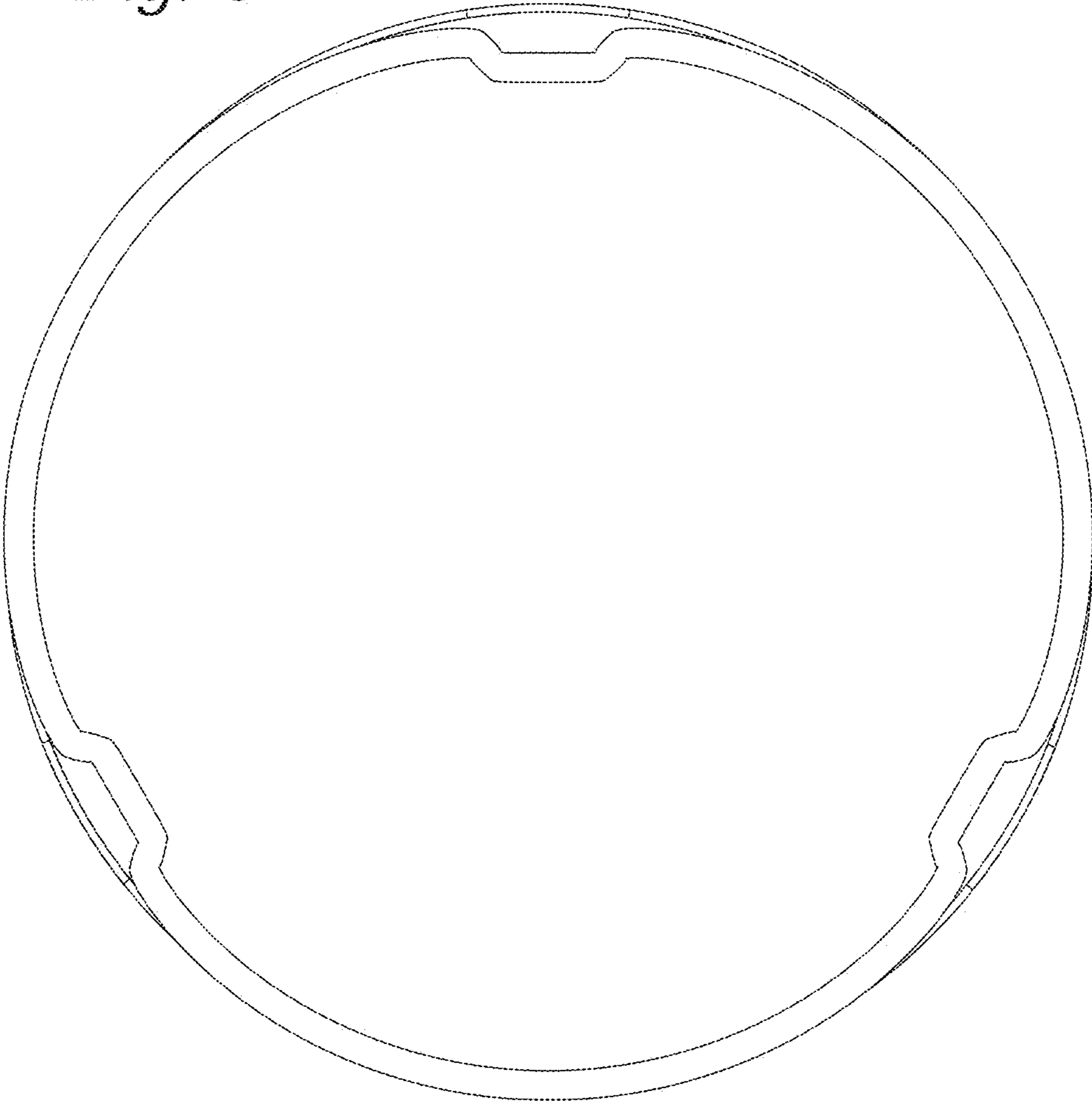


Fig. 7

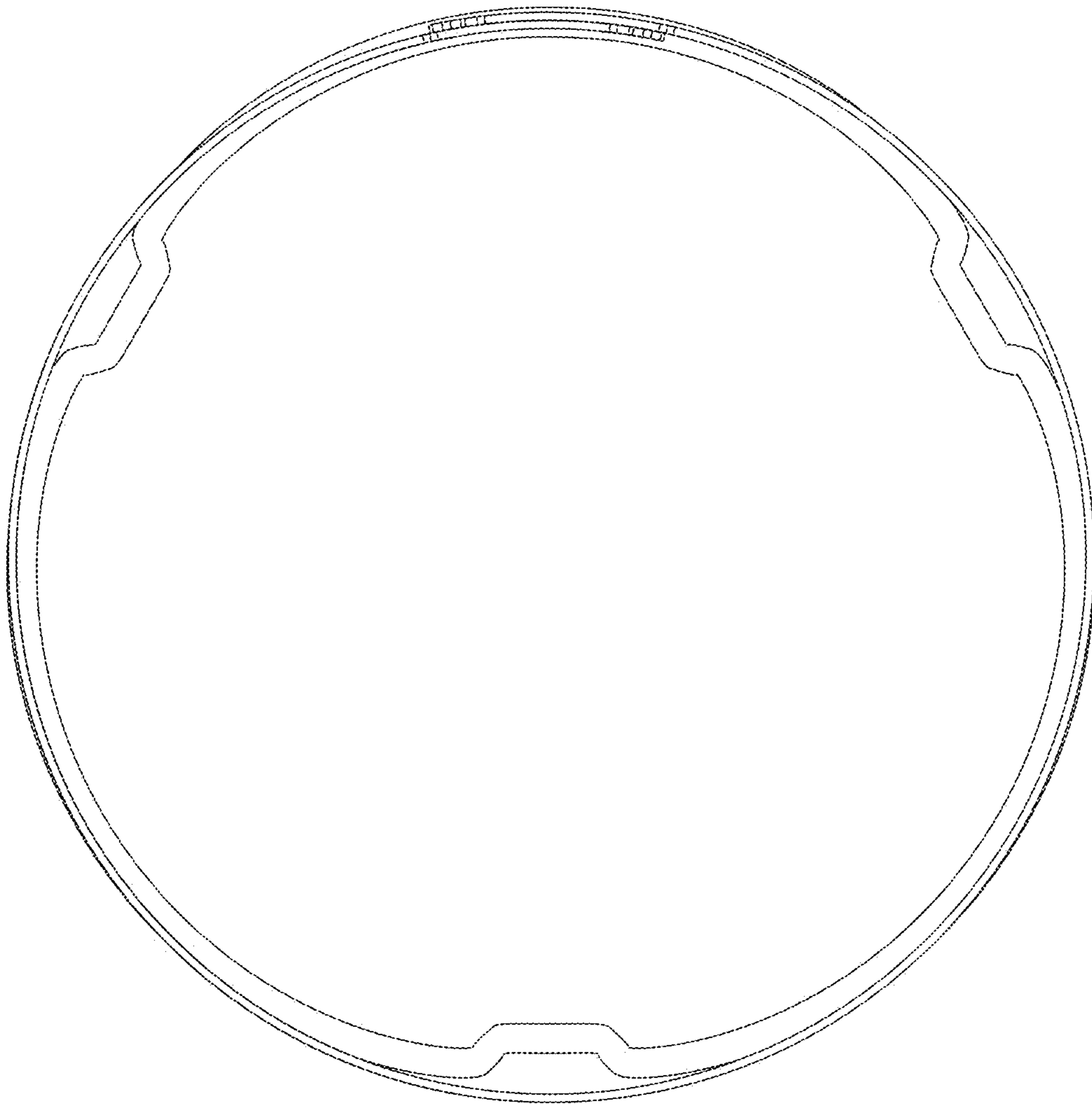


Fig. 8

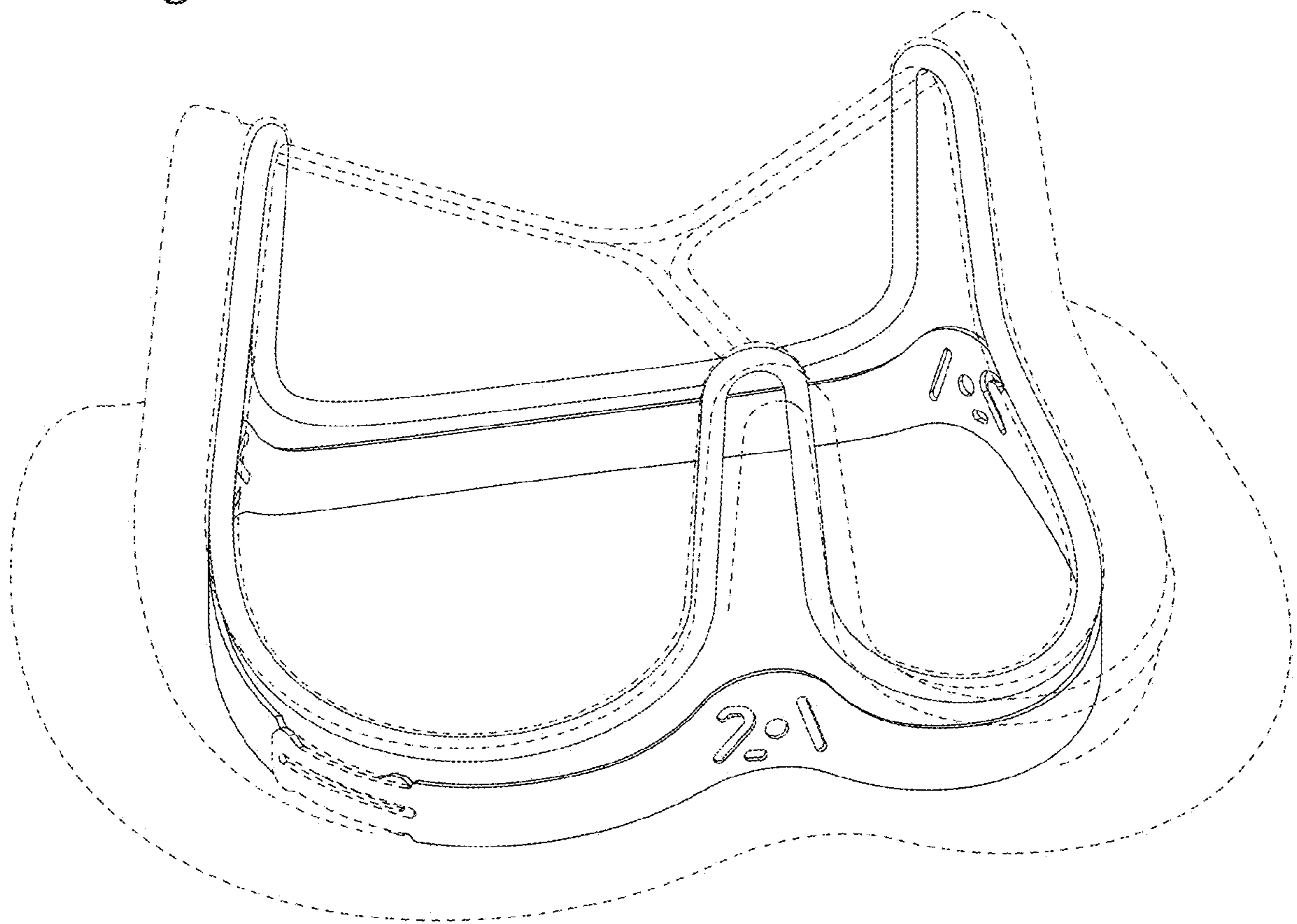


Fig. 9

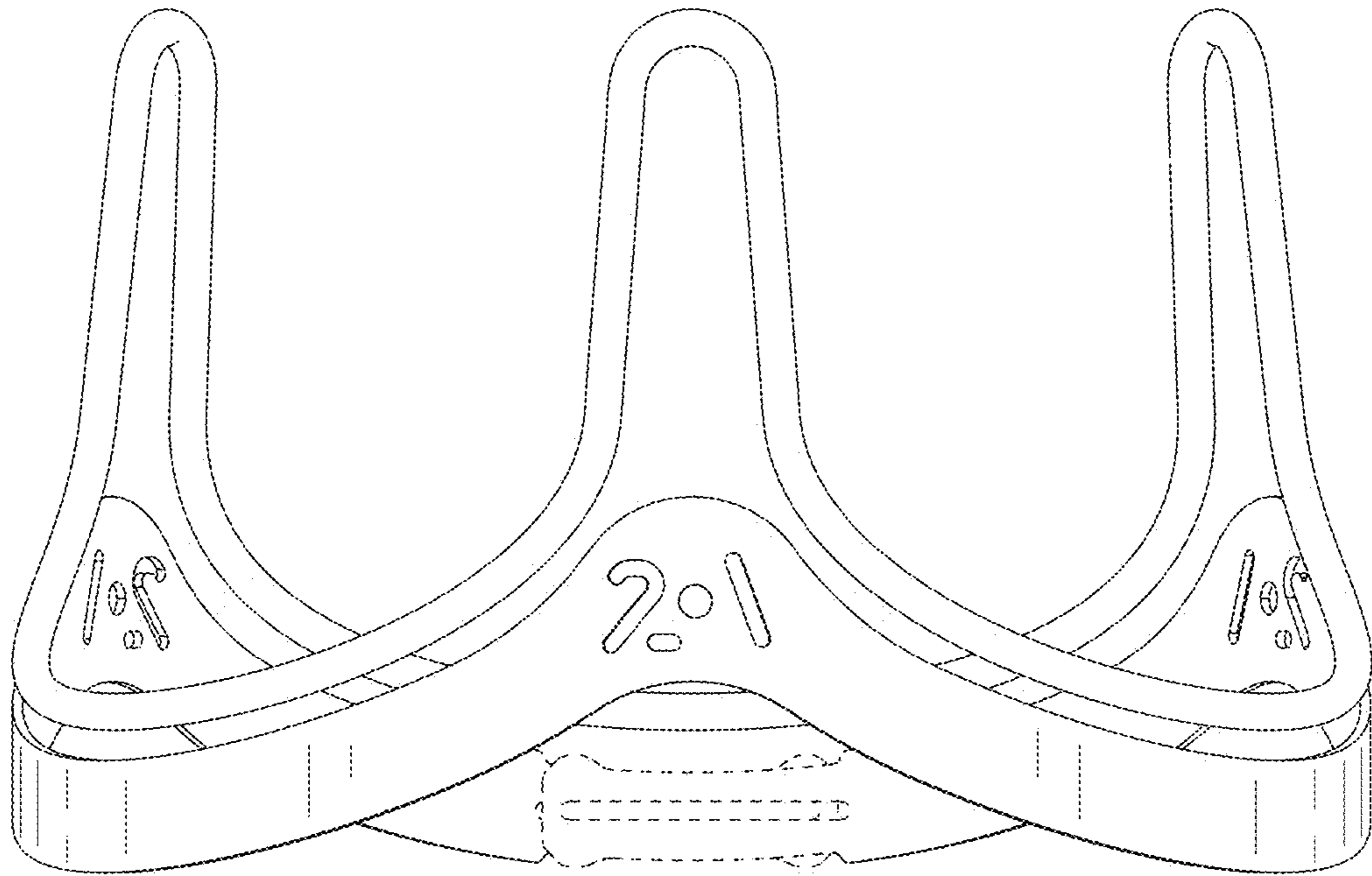


Fig. 10

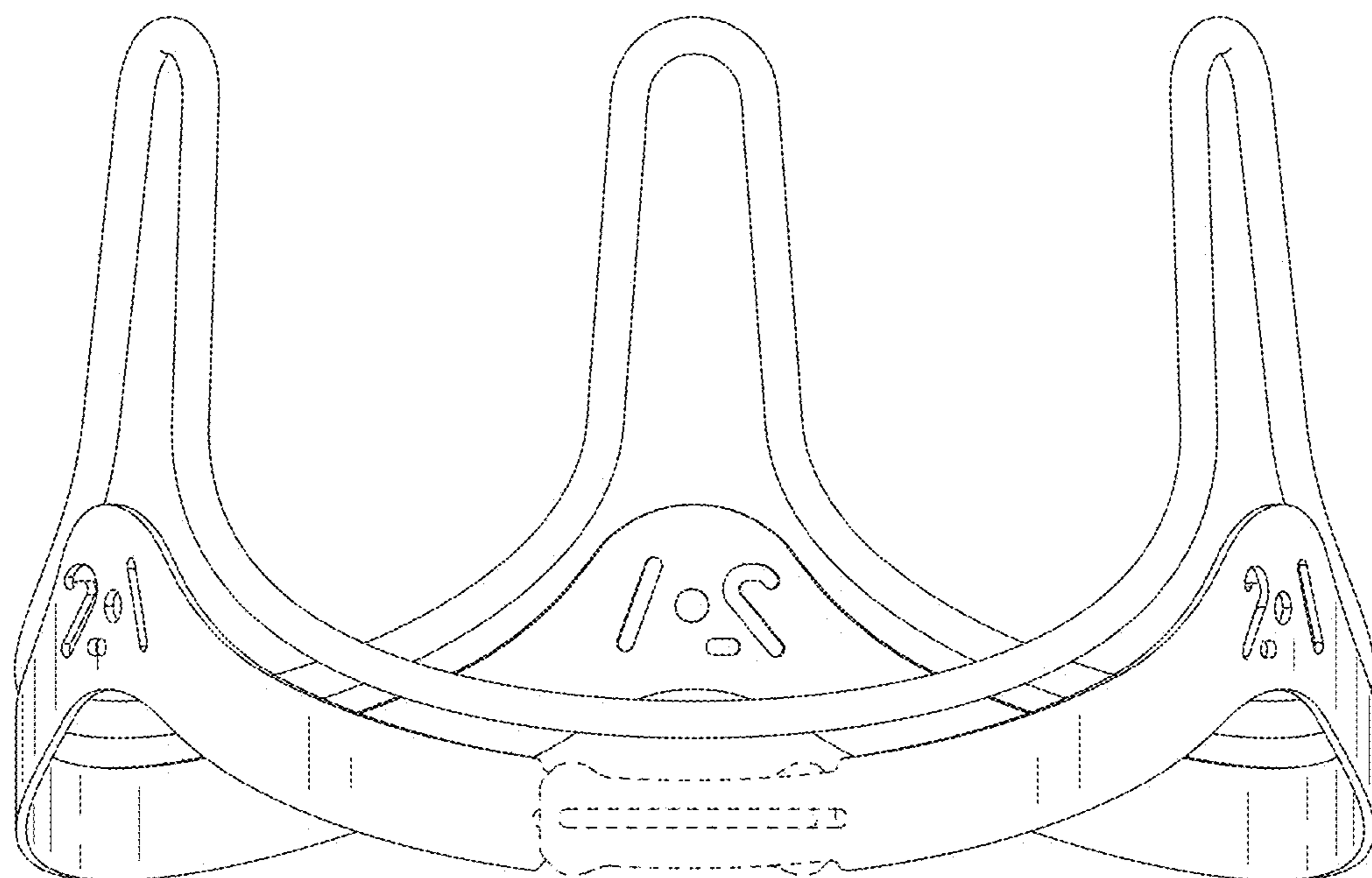


Fig. 11

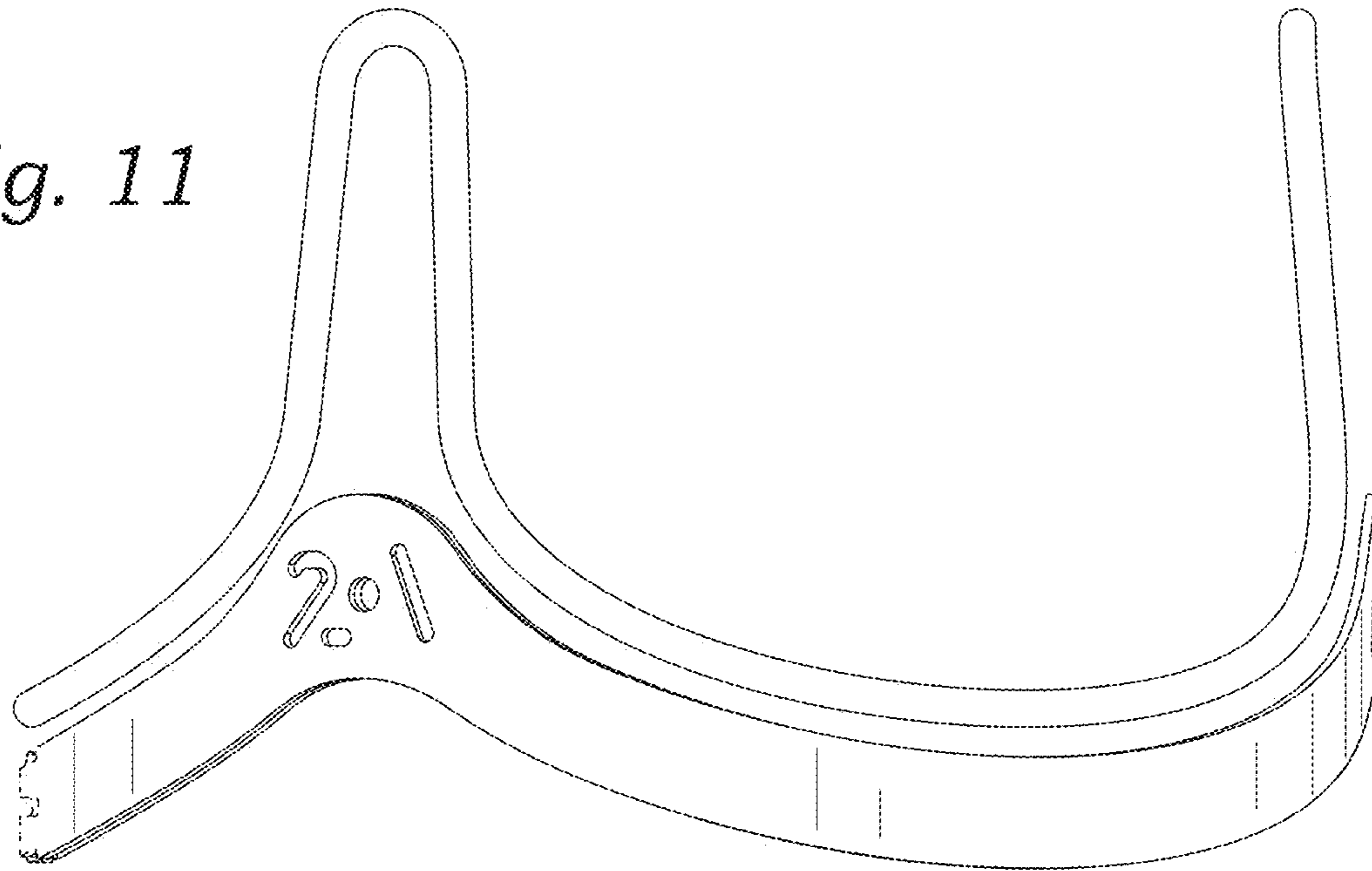


Fig. 12

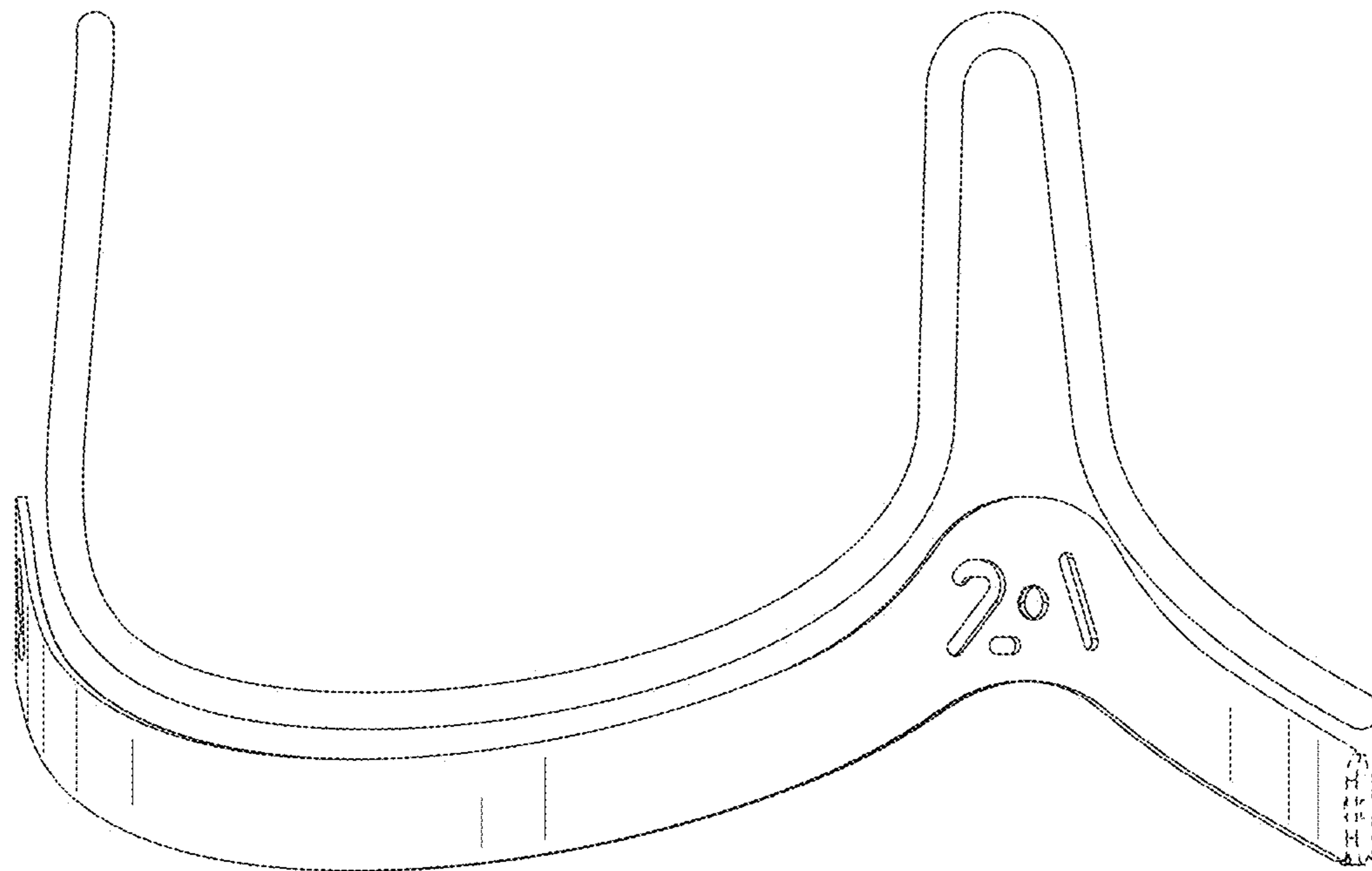


Fig. 13

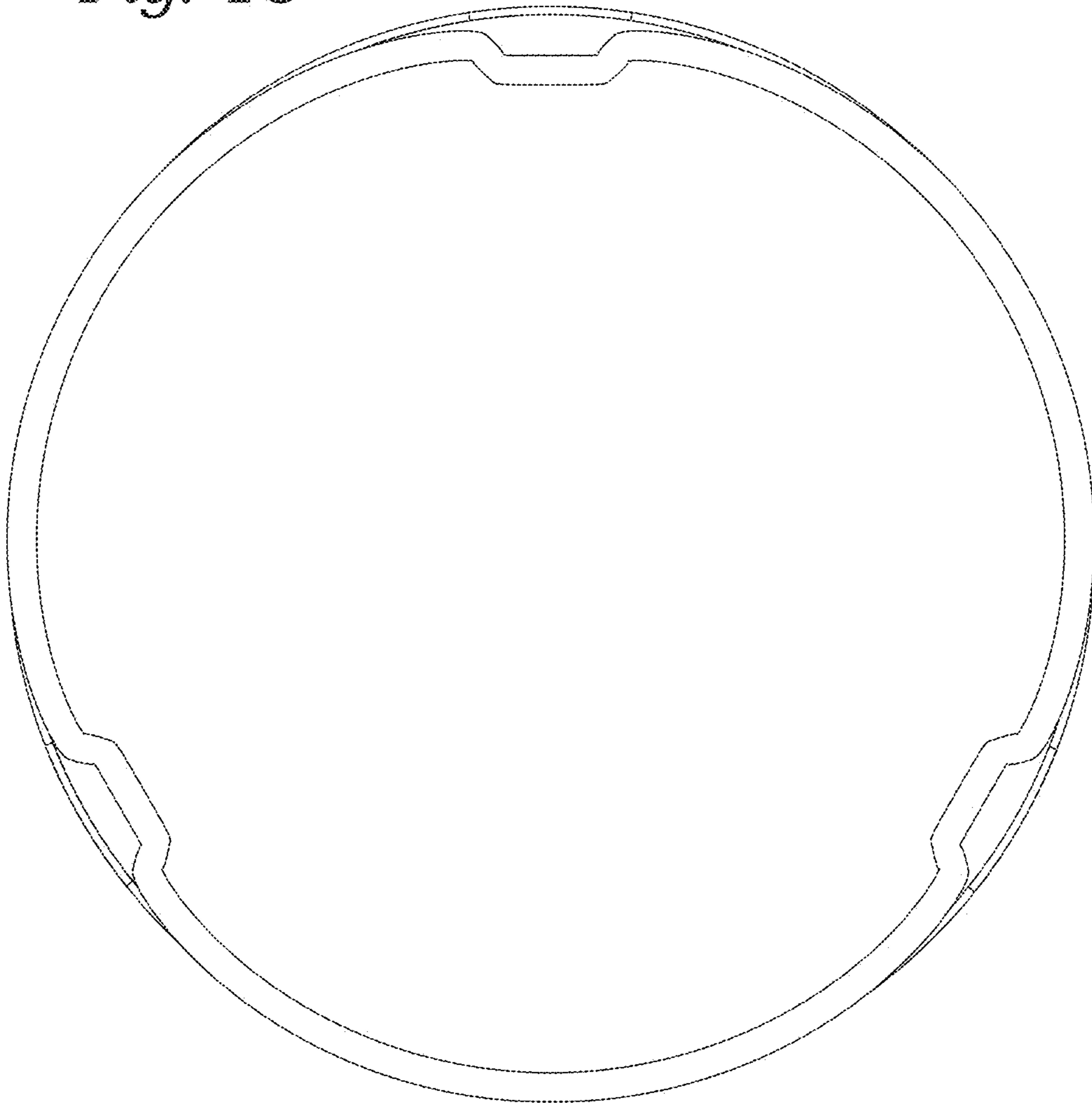


Fig. 14

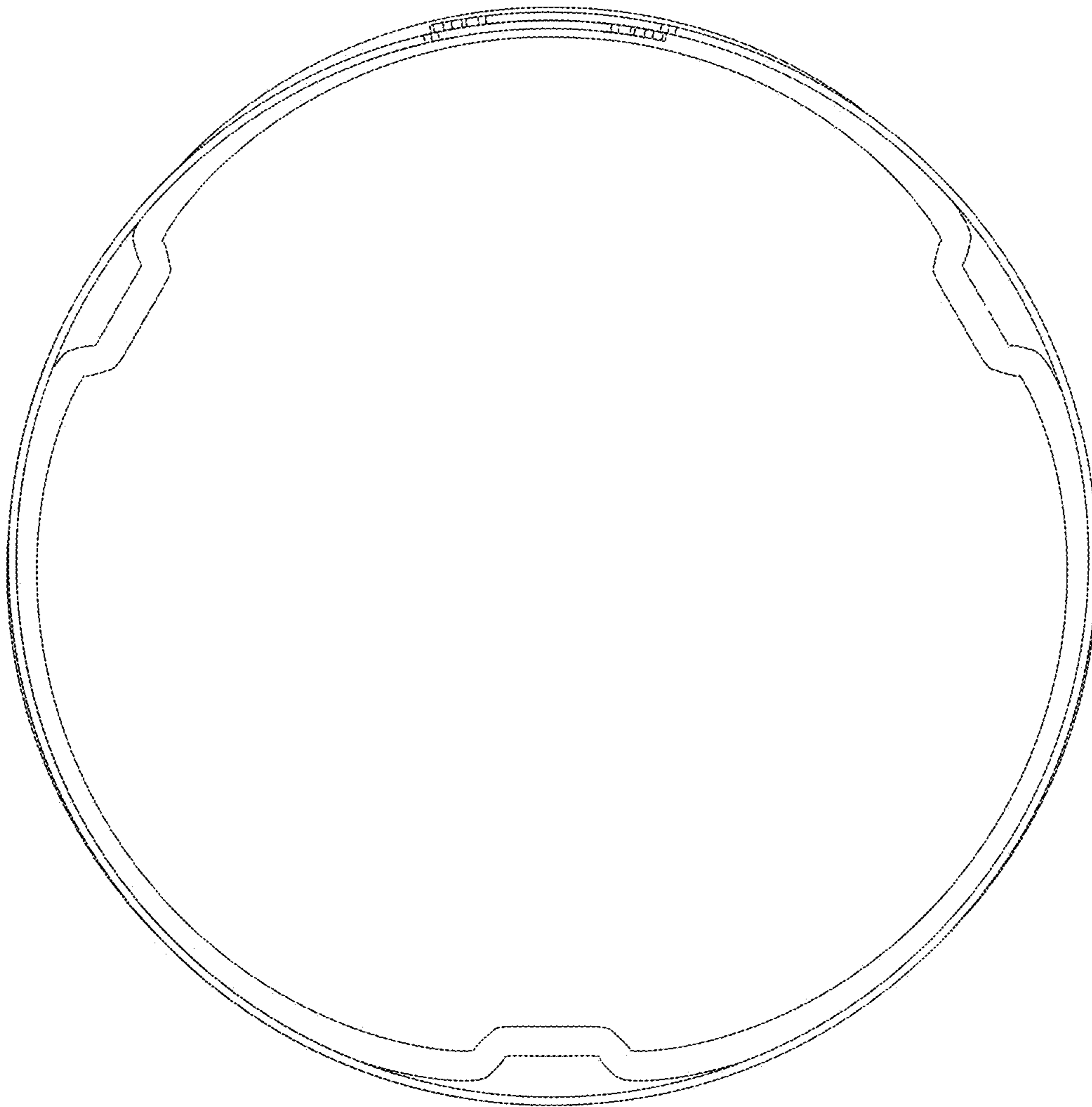


Fig. 15

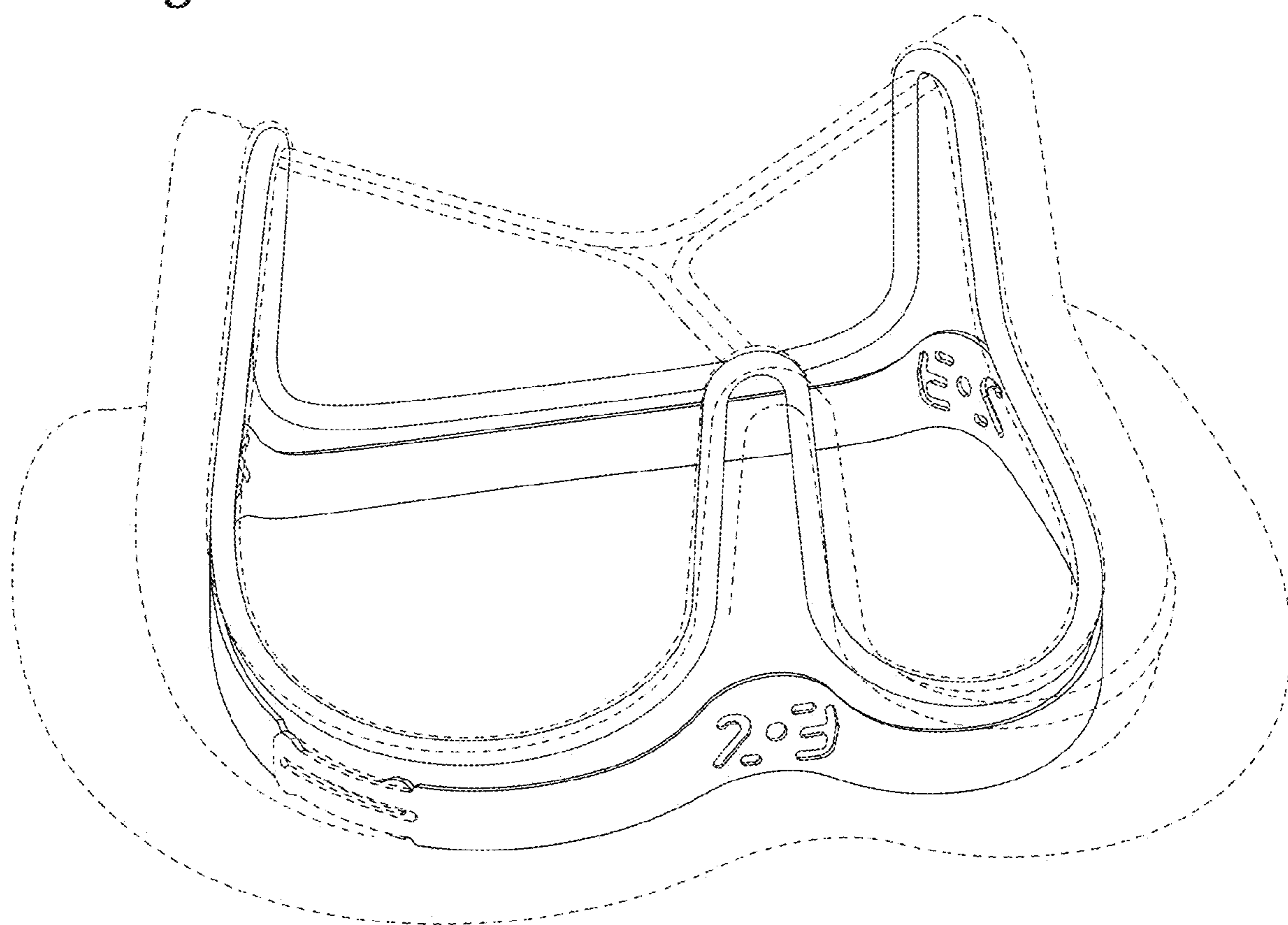


Fig. 16

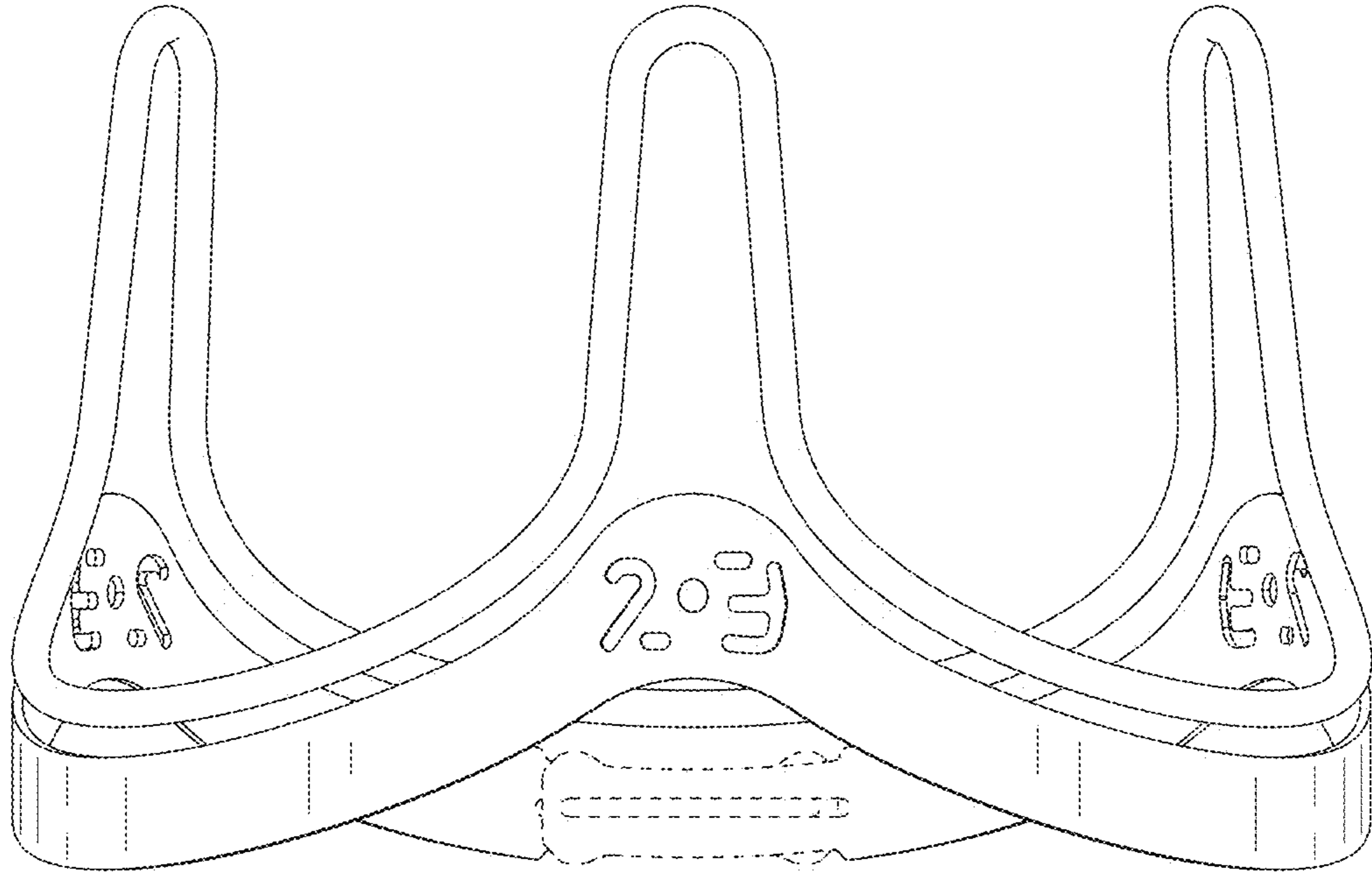


Fig. 17

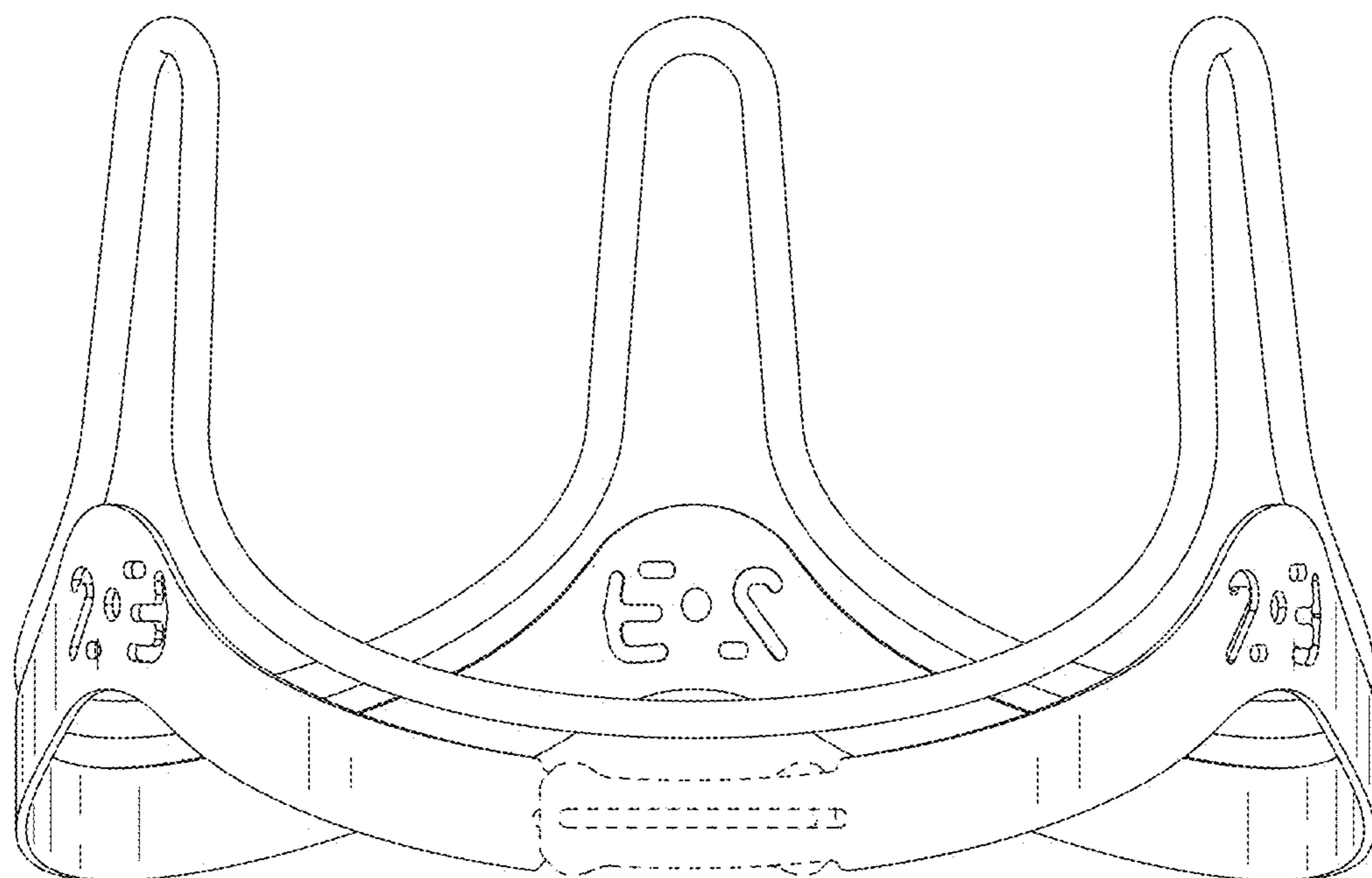


Fig. 18

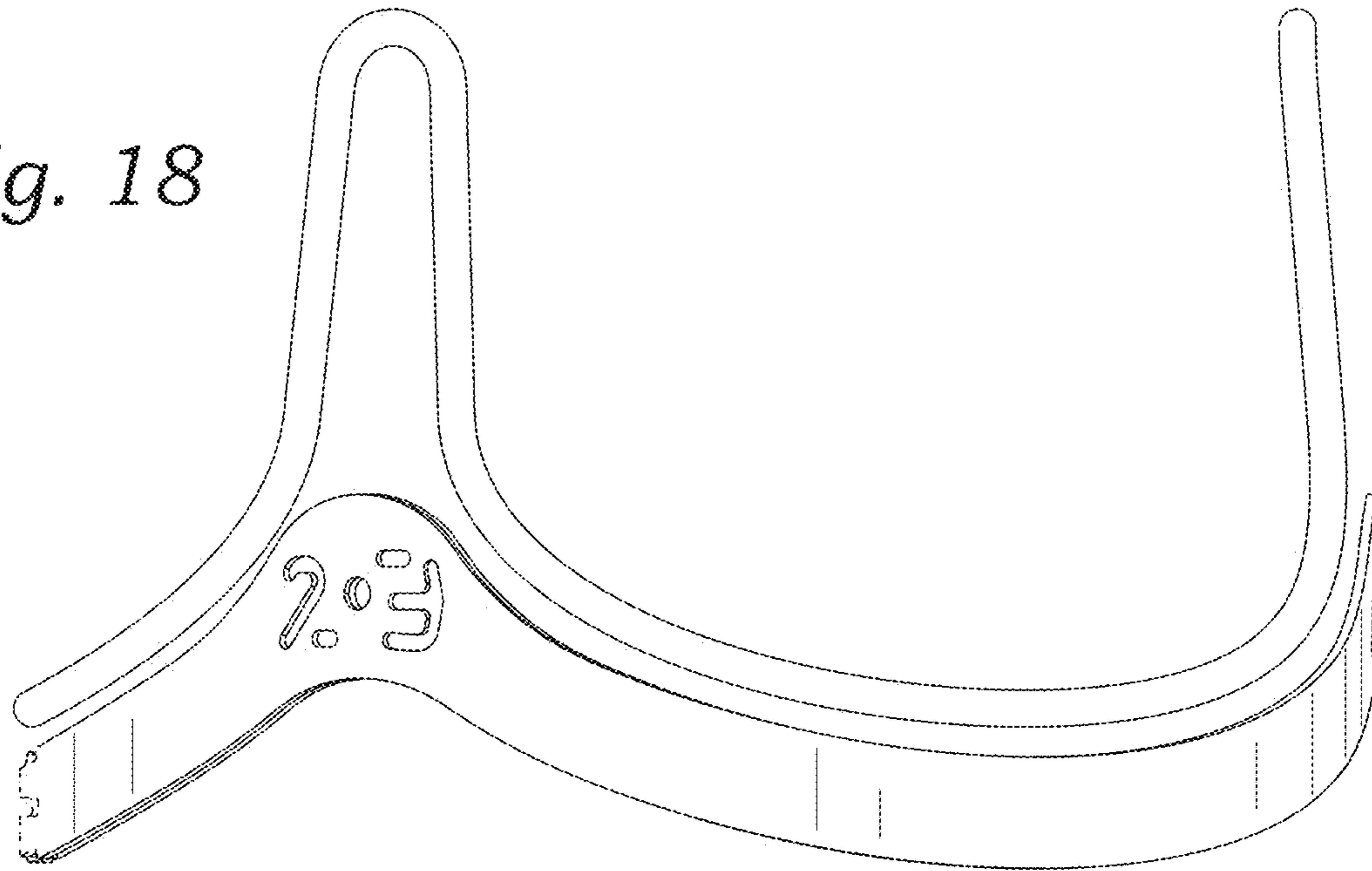


Fig. 19

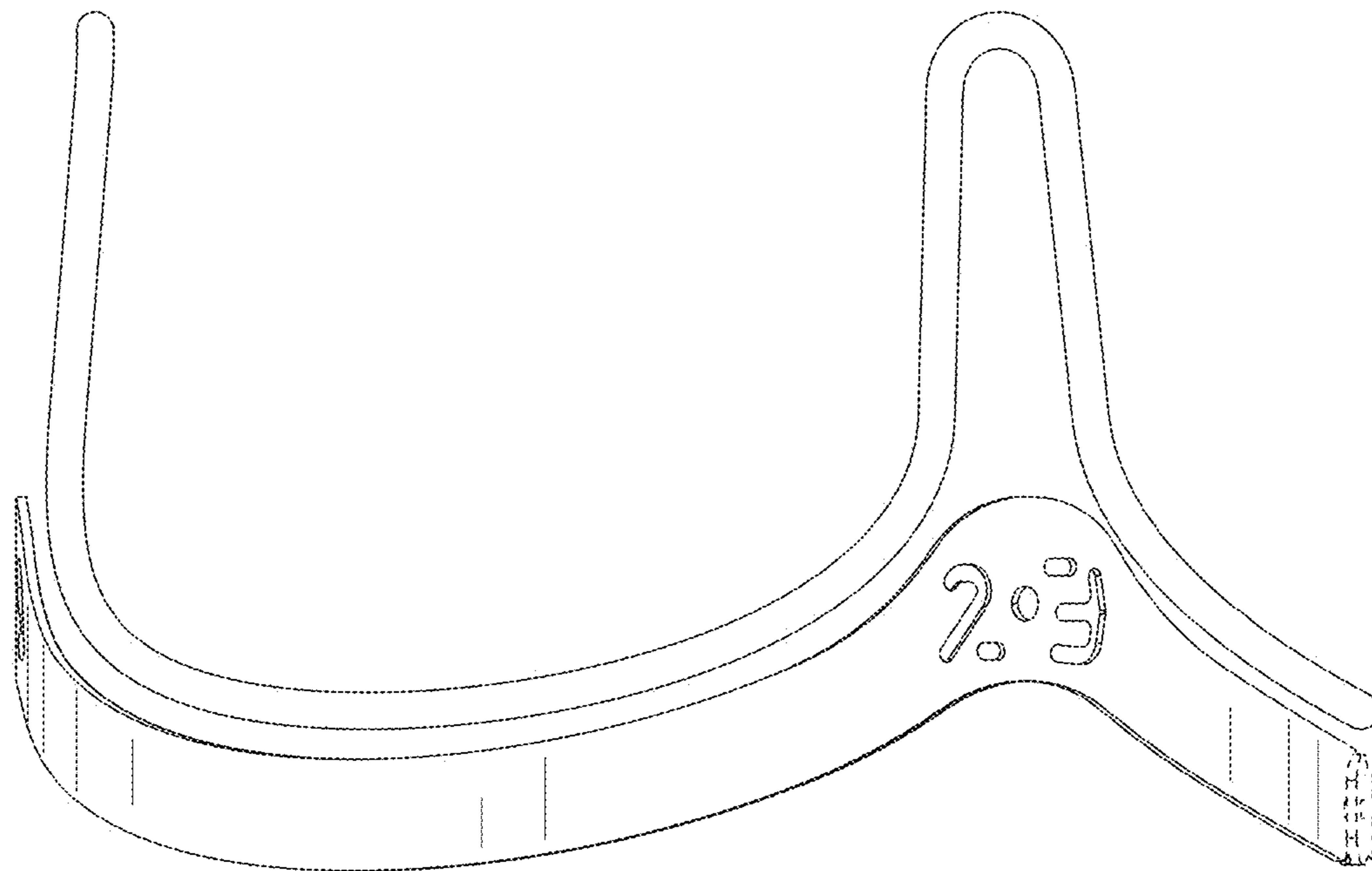


Fig. 20

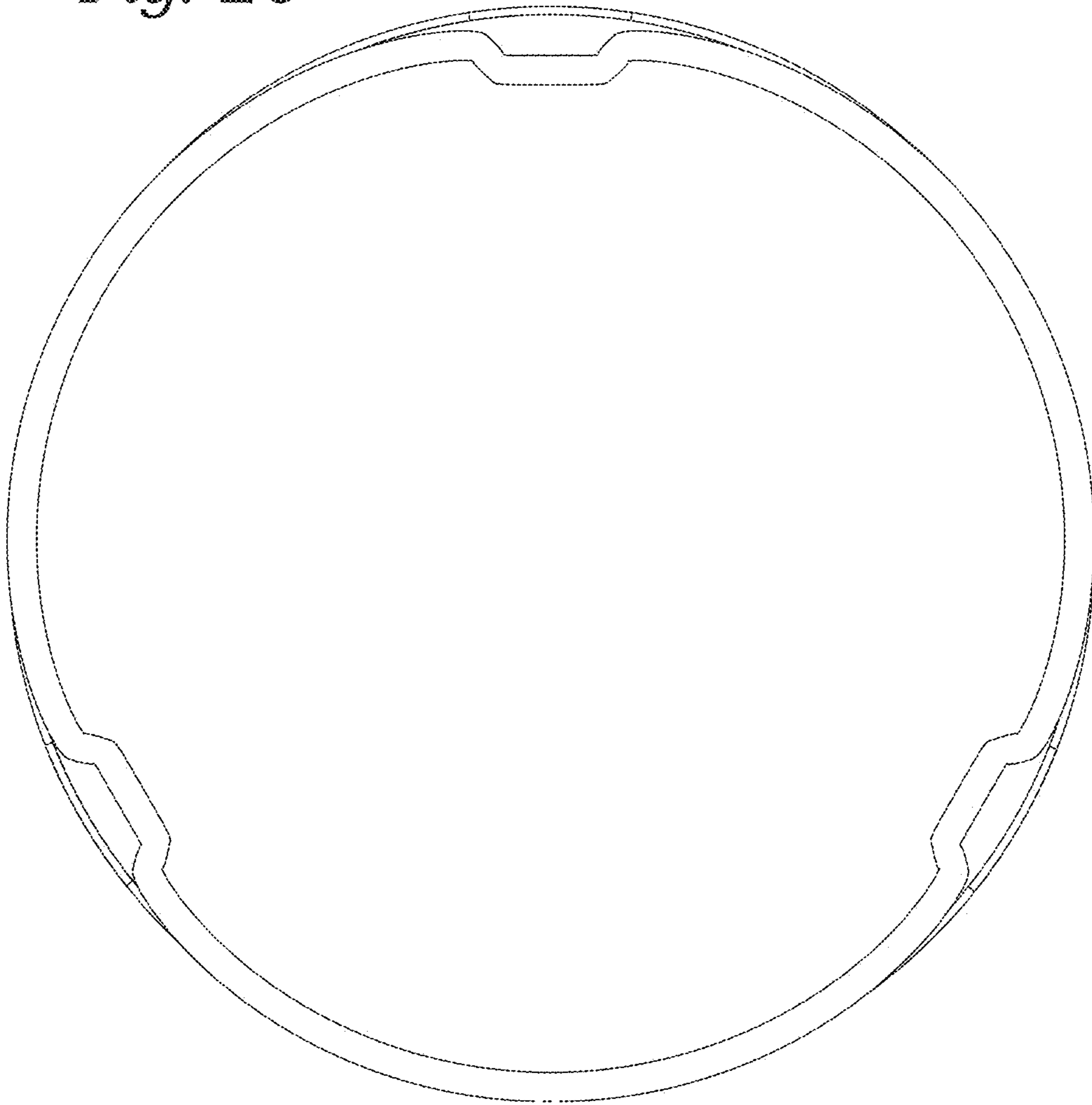


Fig. 21

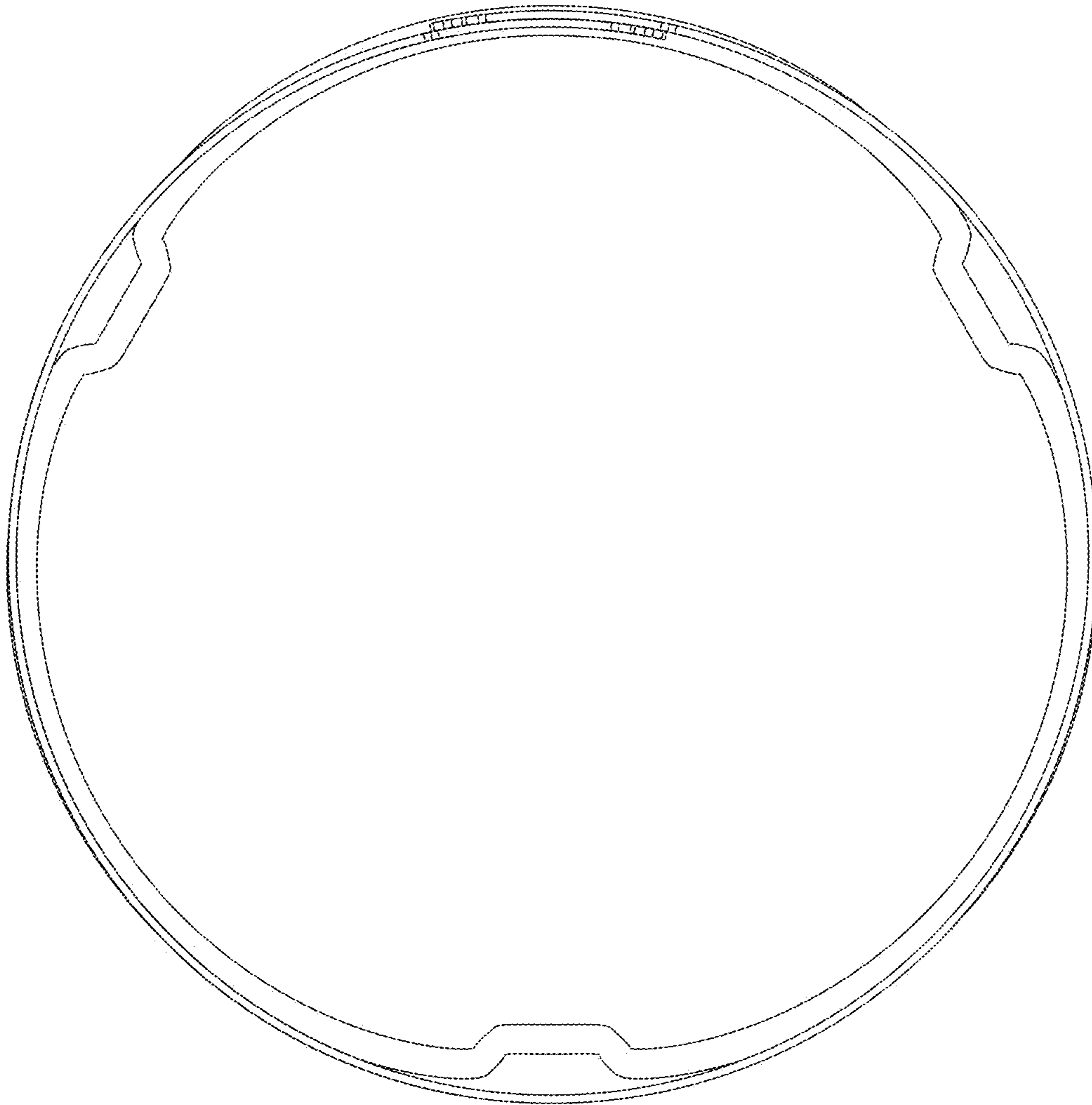


Fig. 22

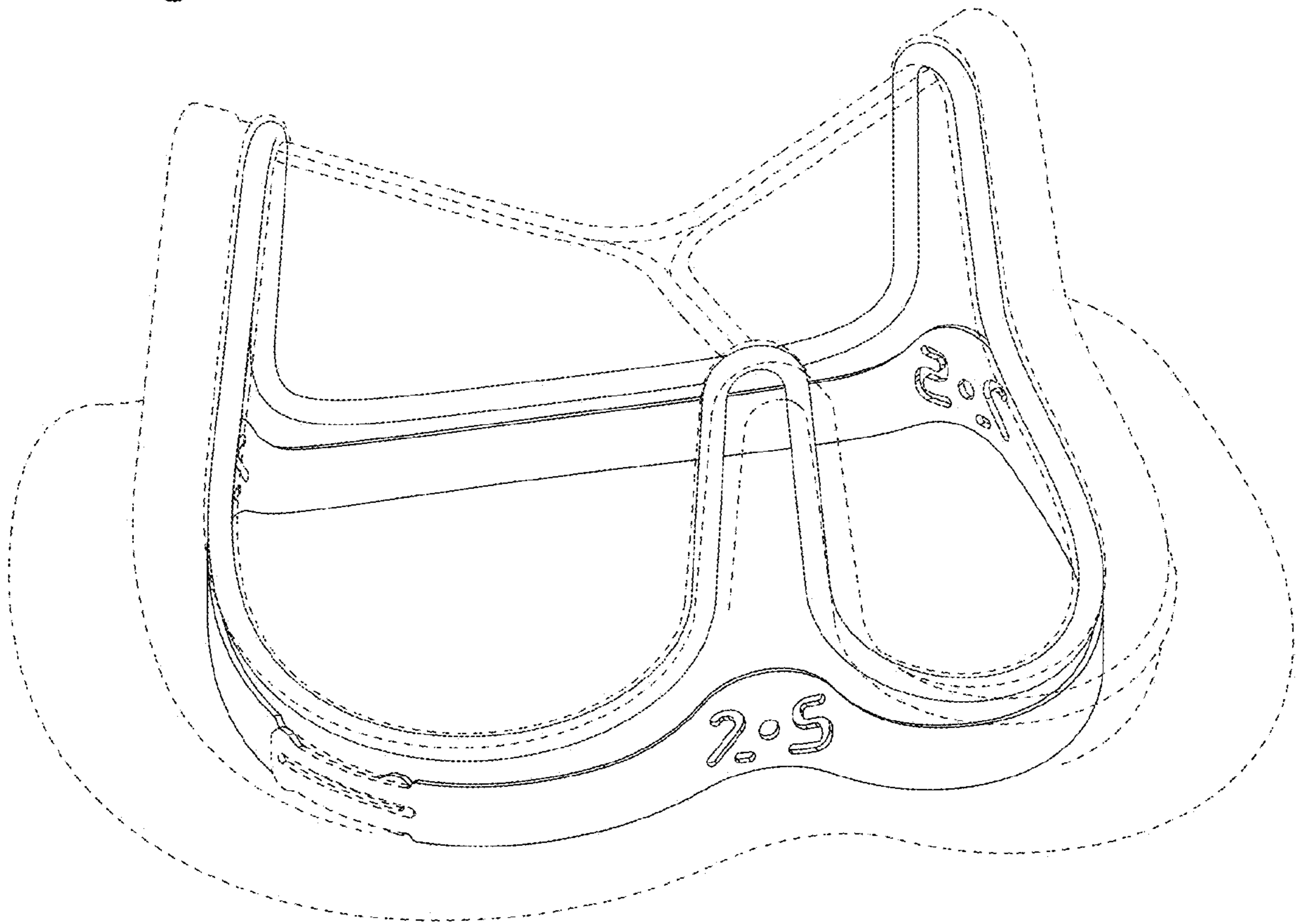


Fig. 23

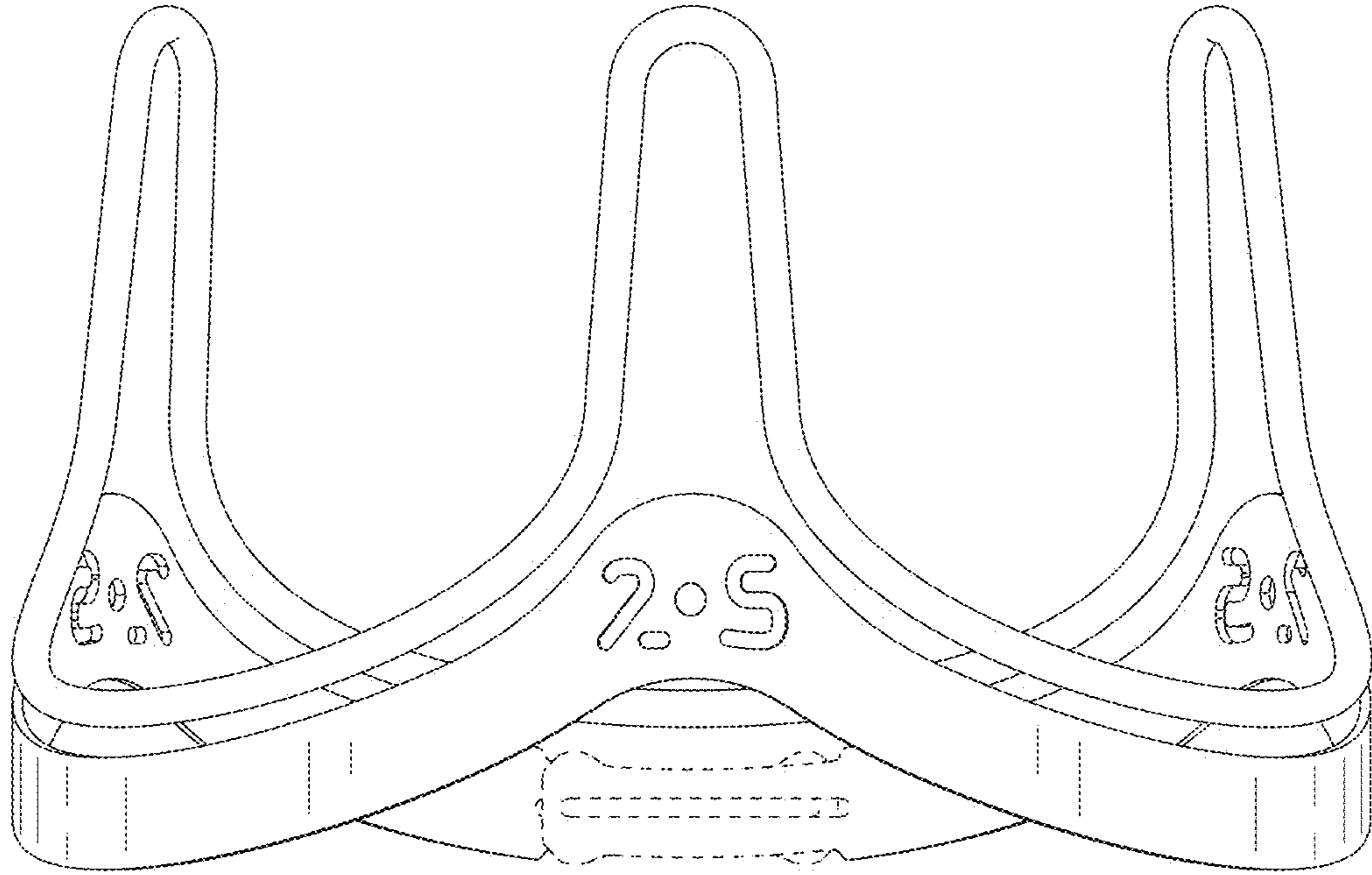


Fig. 24

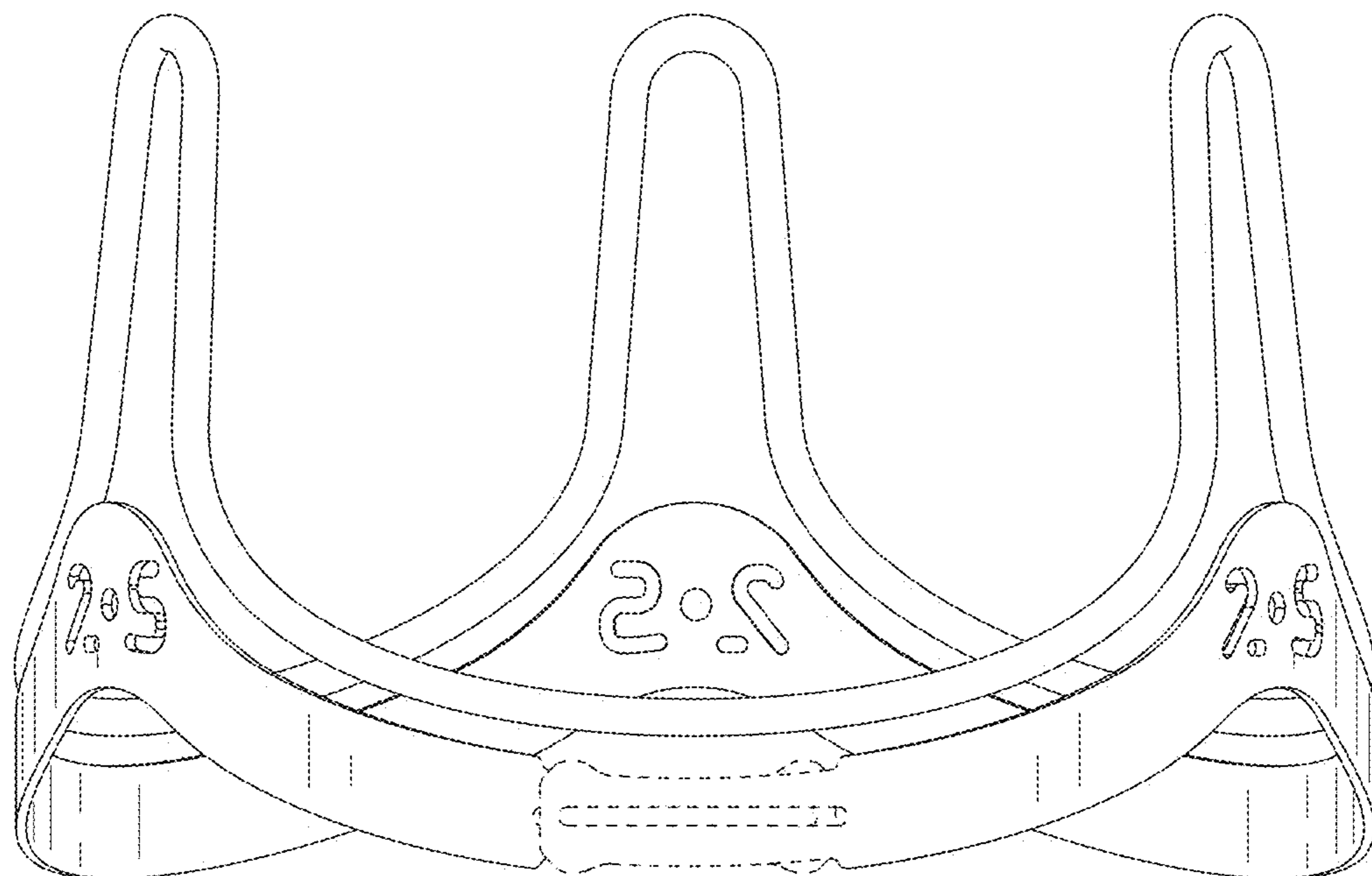


Fig. 25

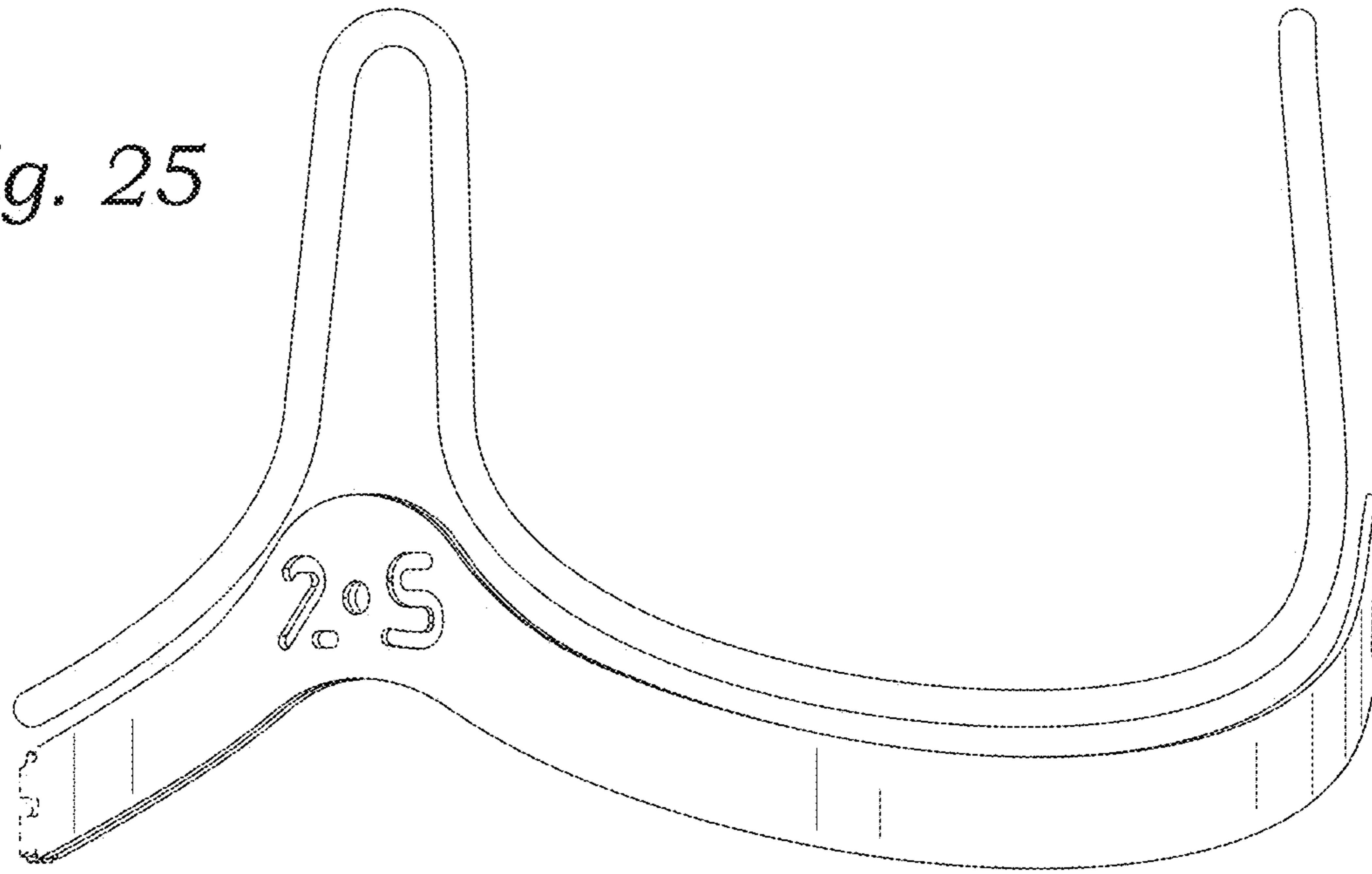


Fig. 26

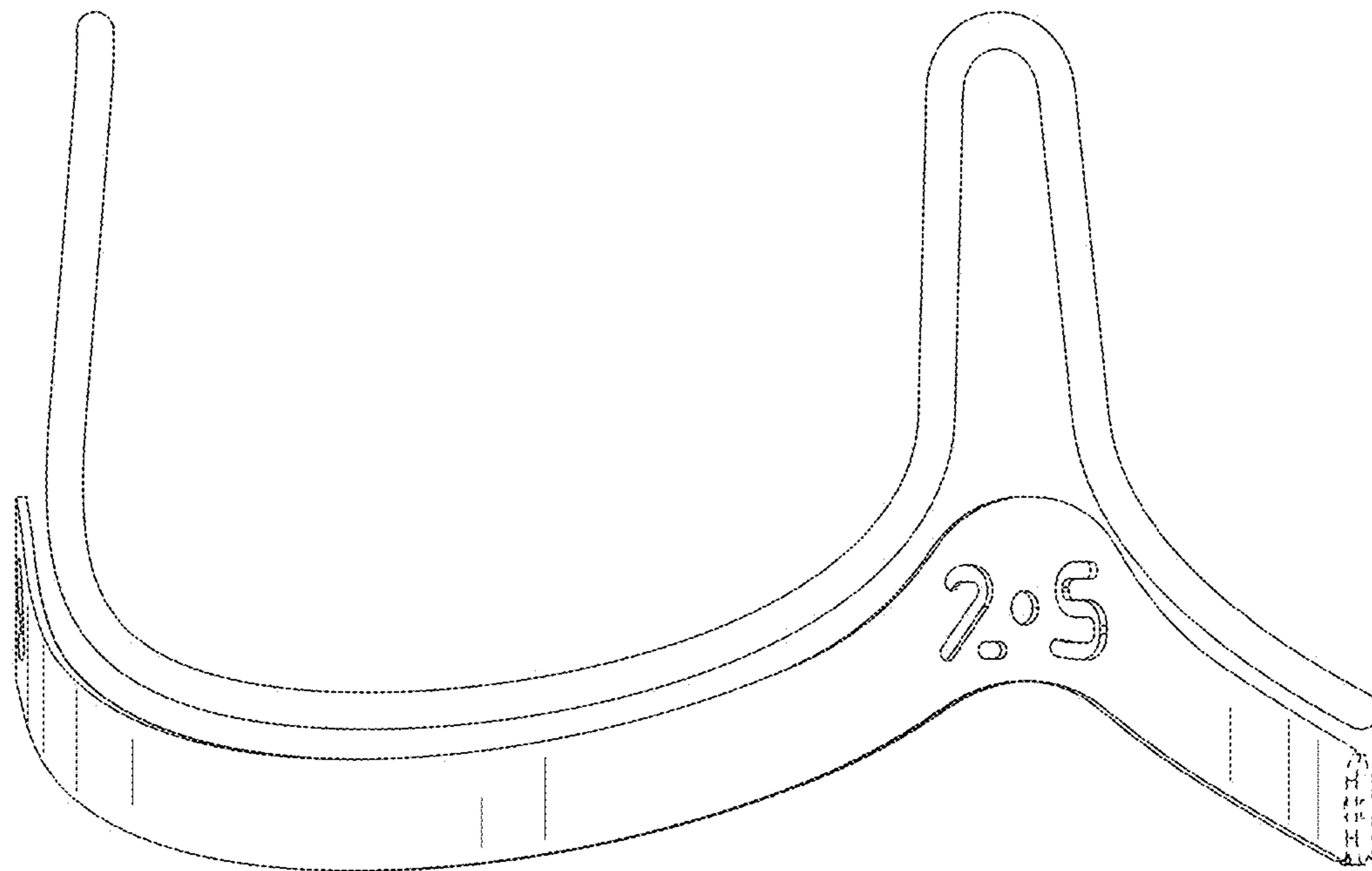


Fig. 27

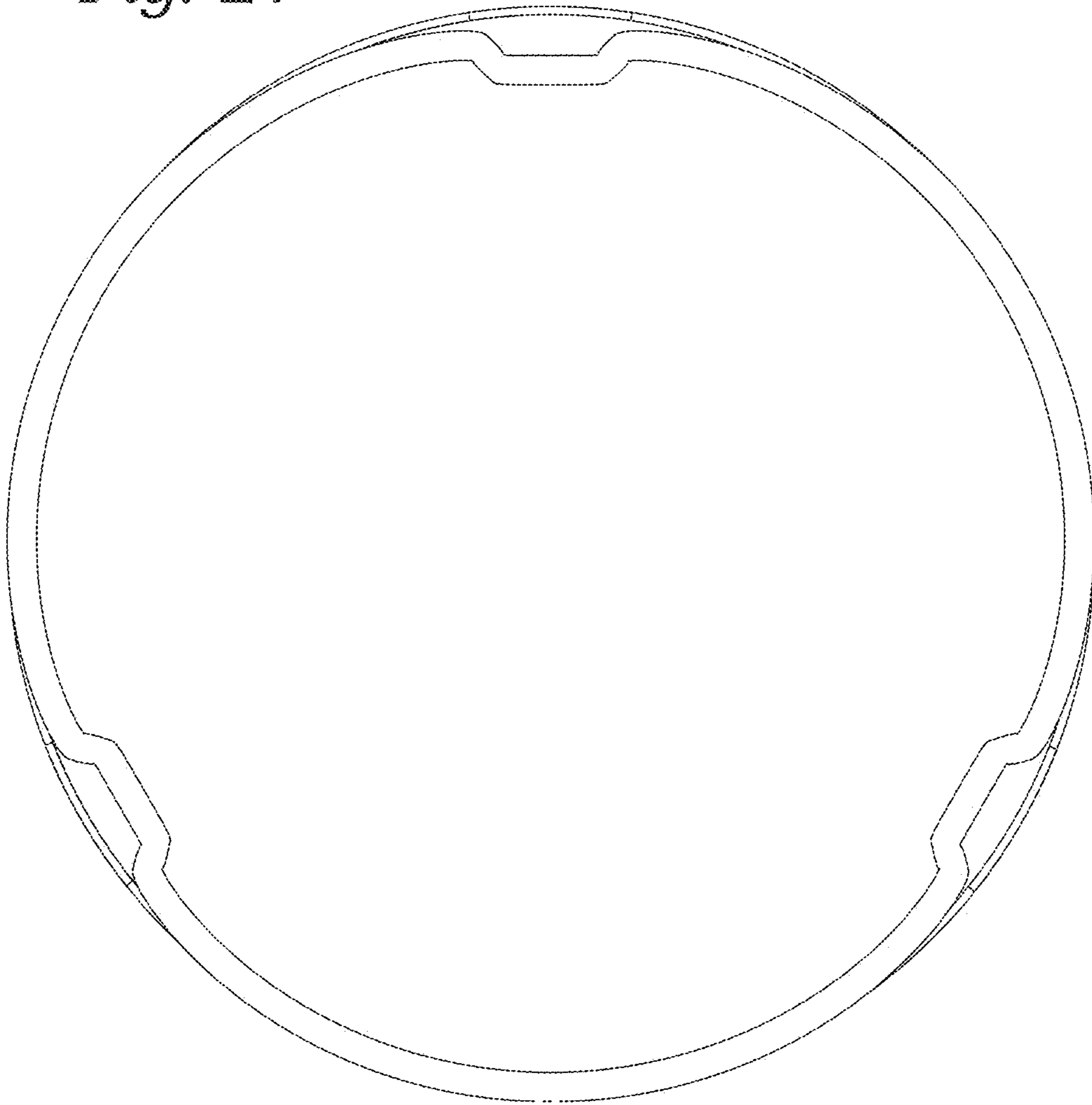


Fig. 28

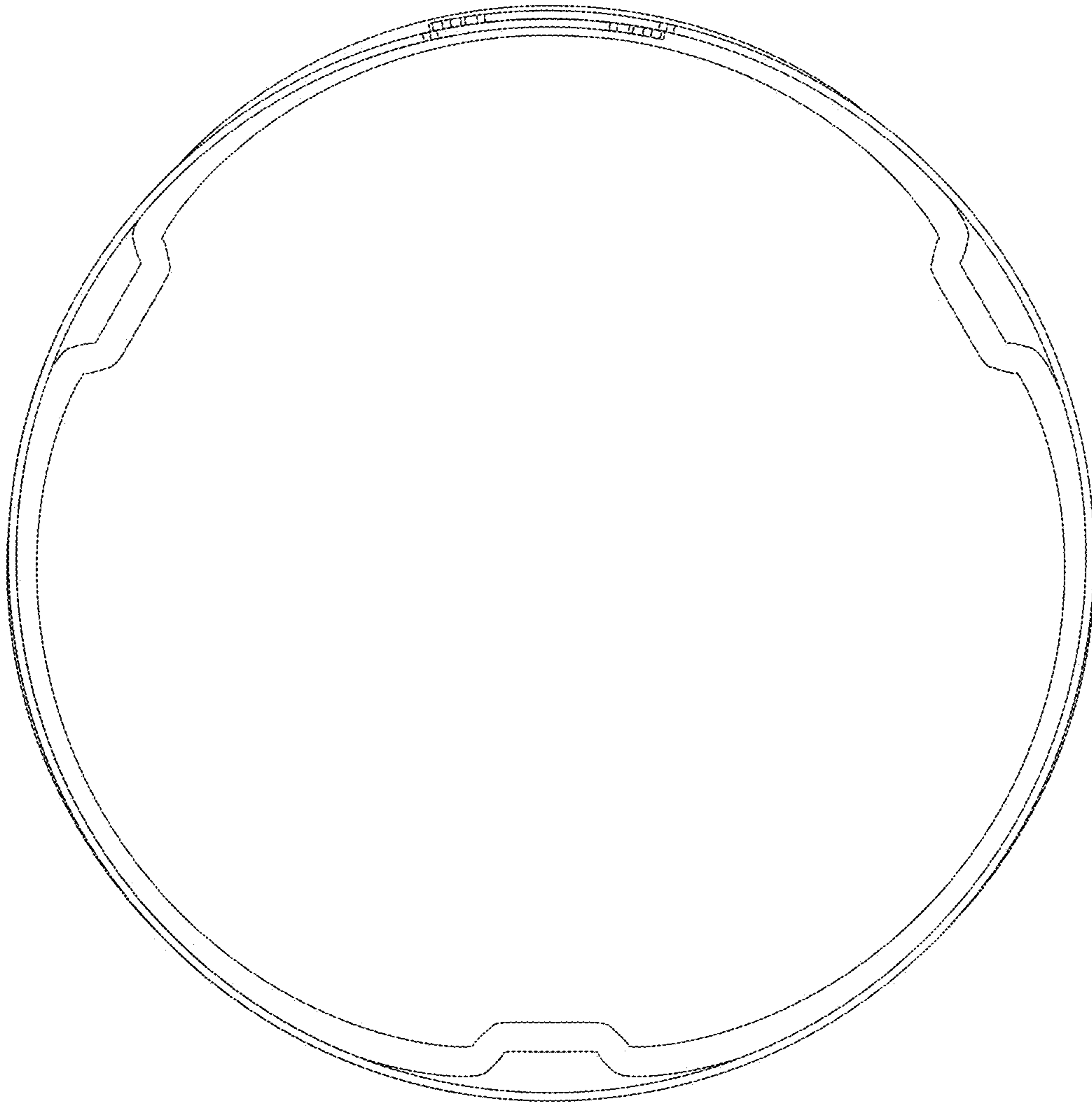


Fig. 29

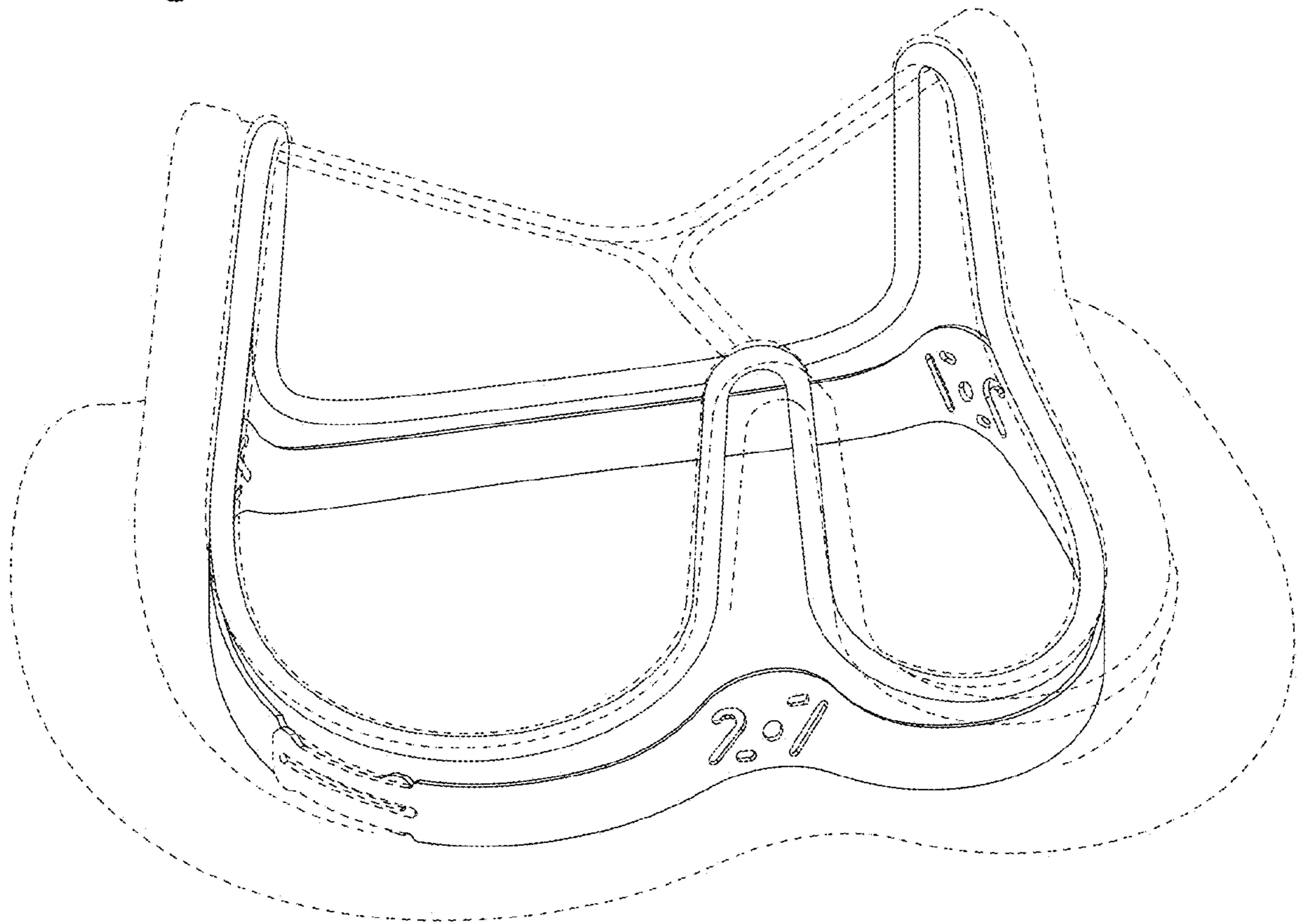


Fig. 30

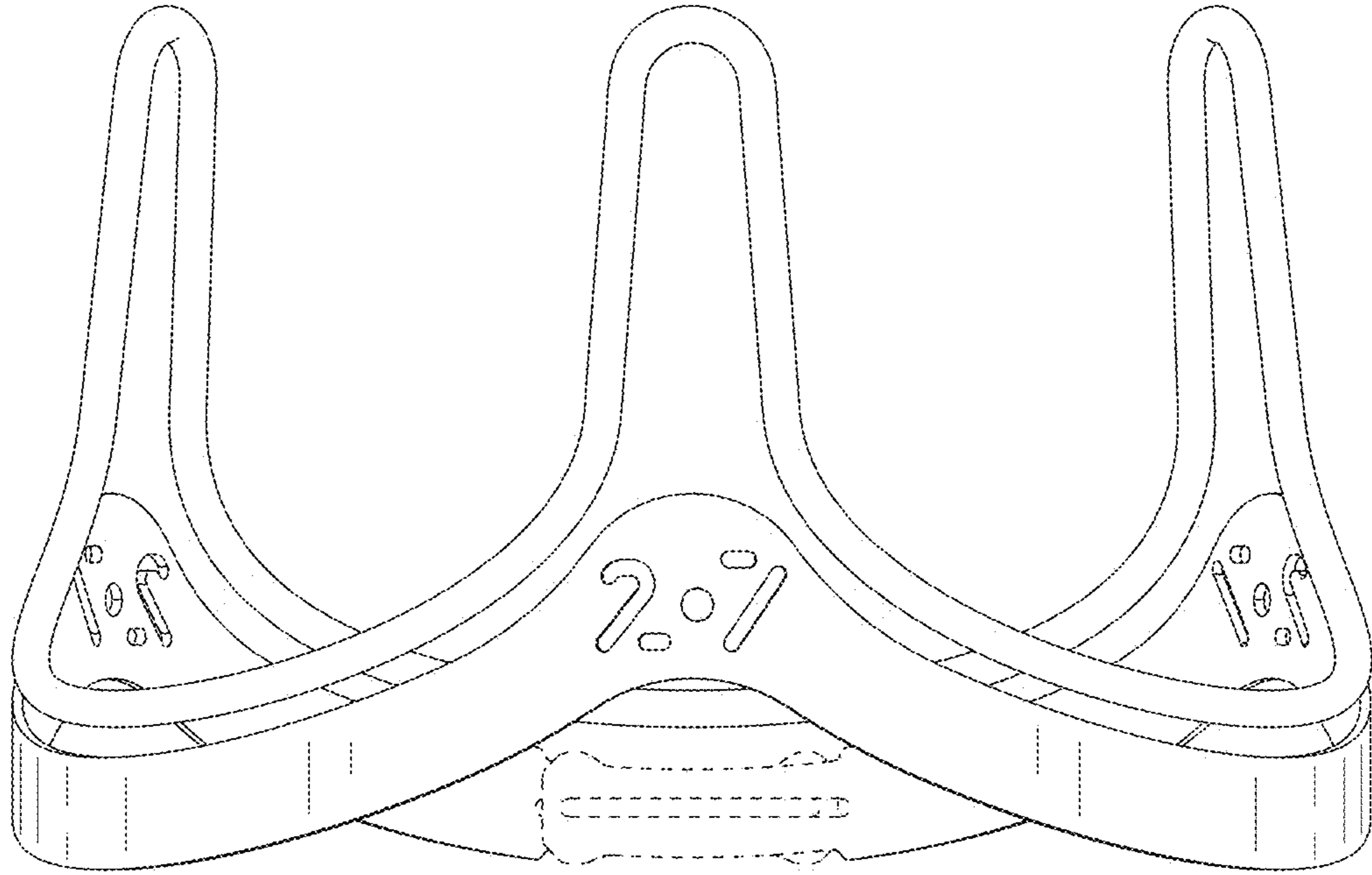


Fig. 31

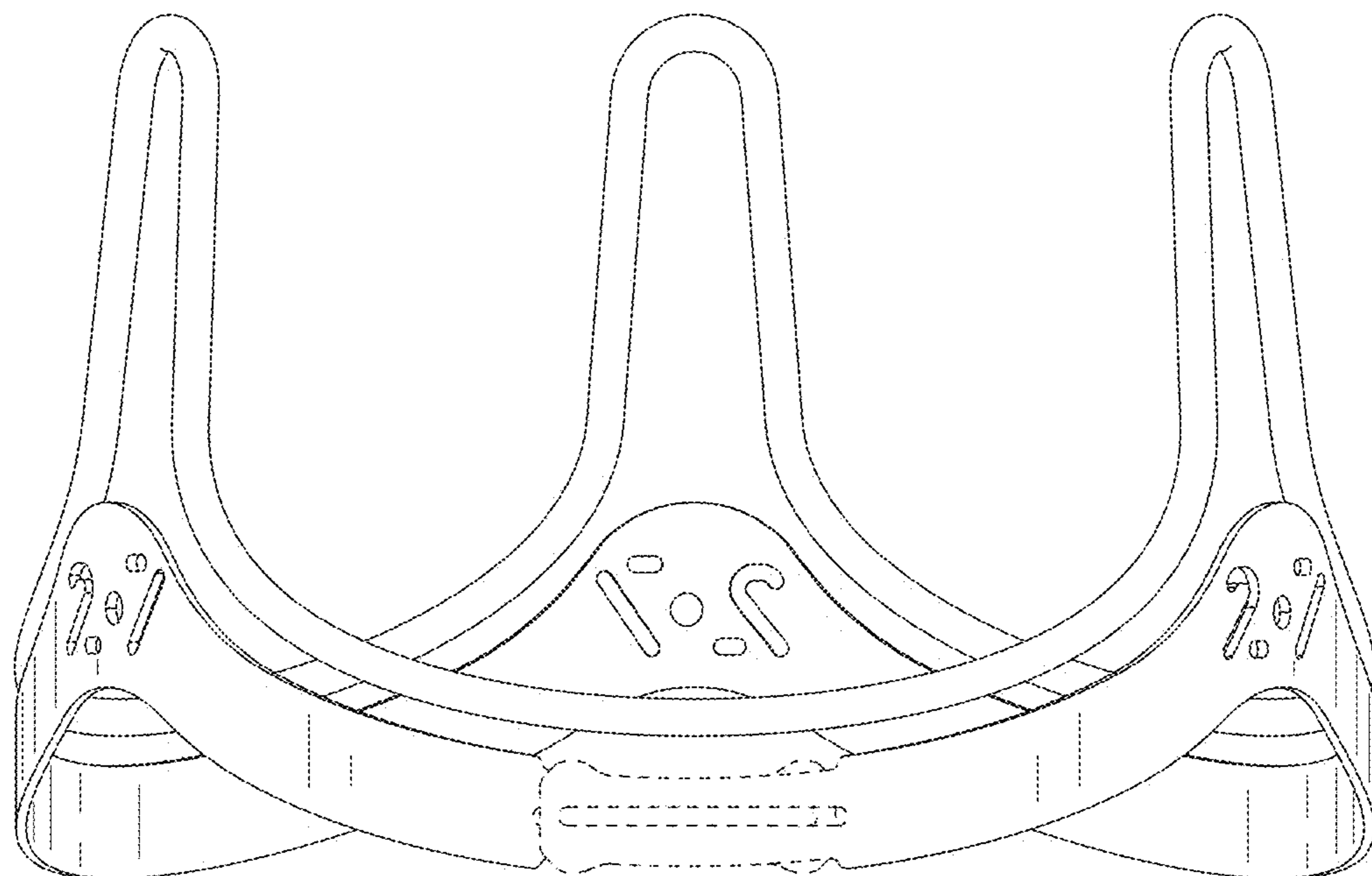


Fig. 32

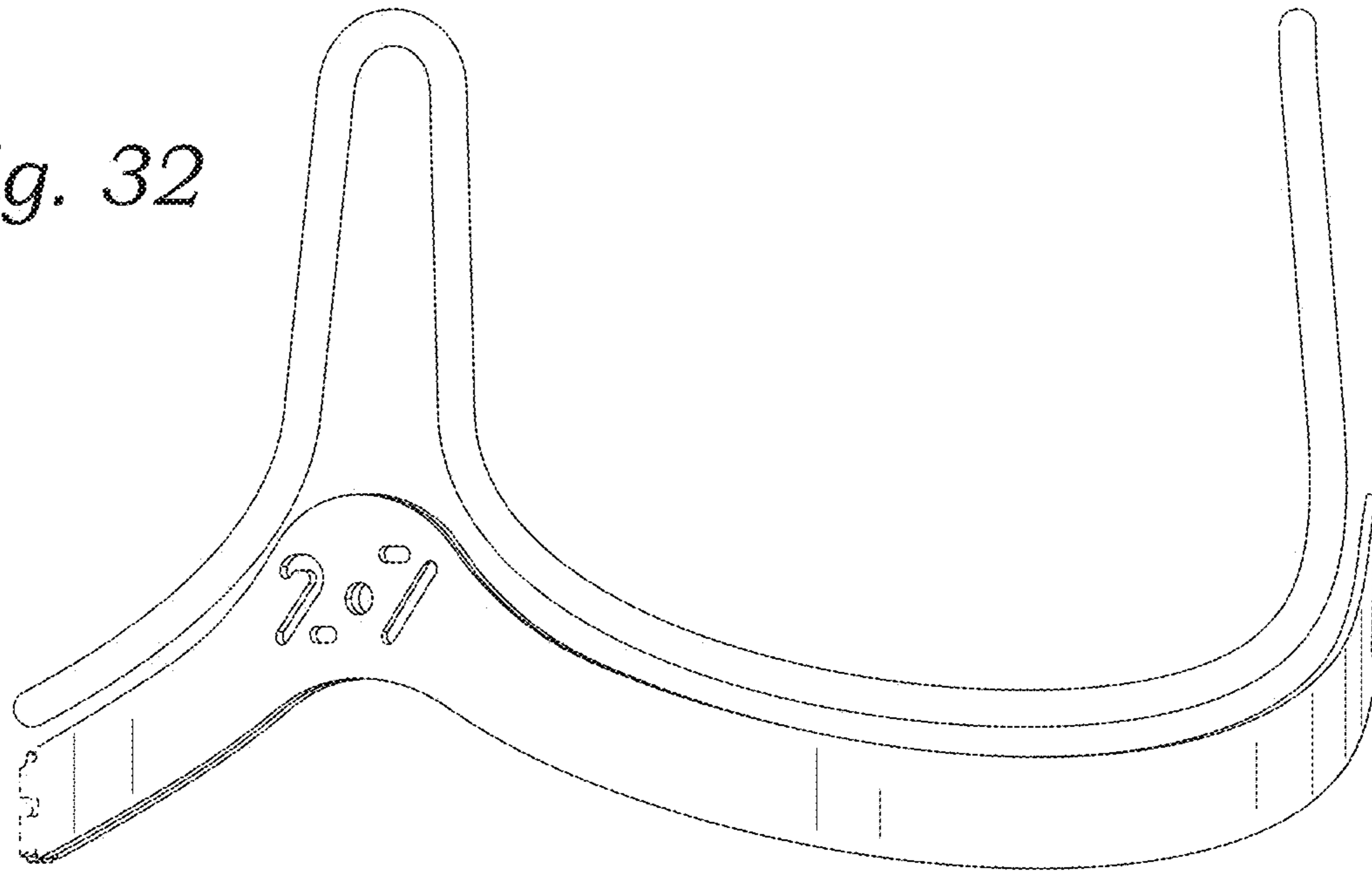


Fig. 33

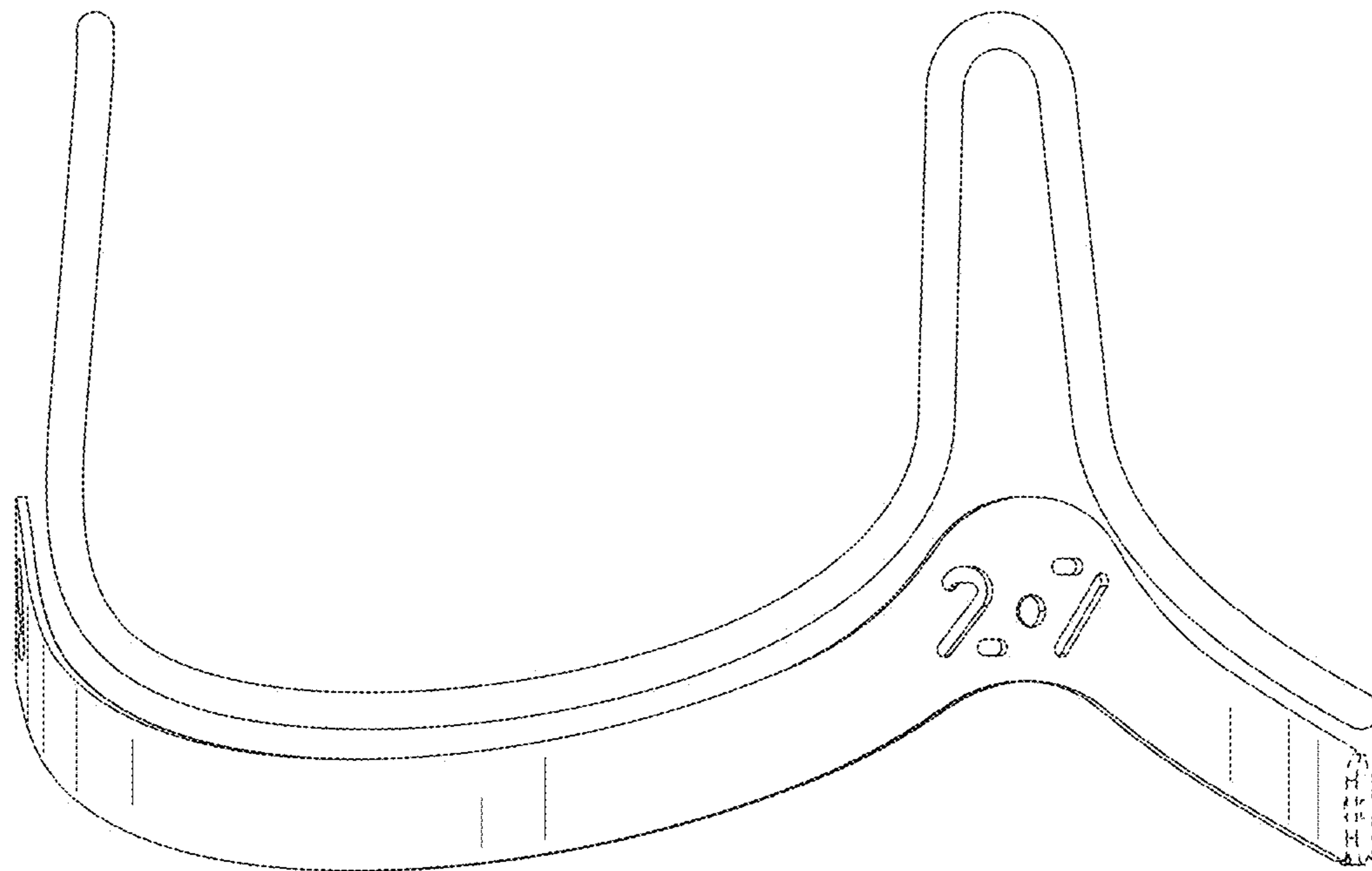


Fig. 34

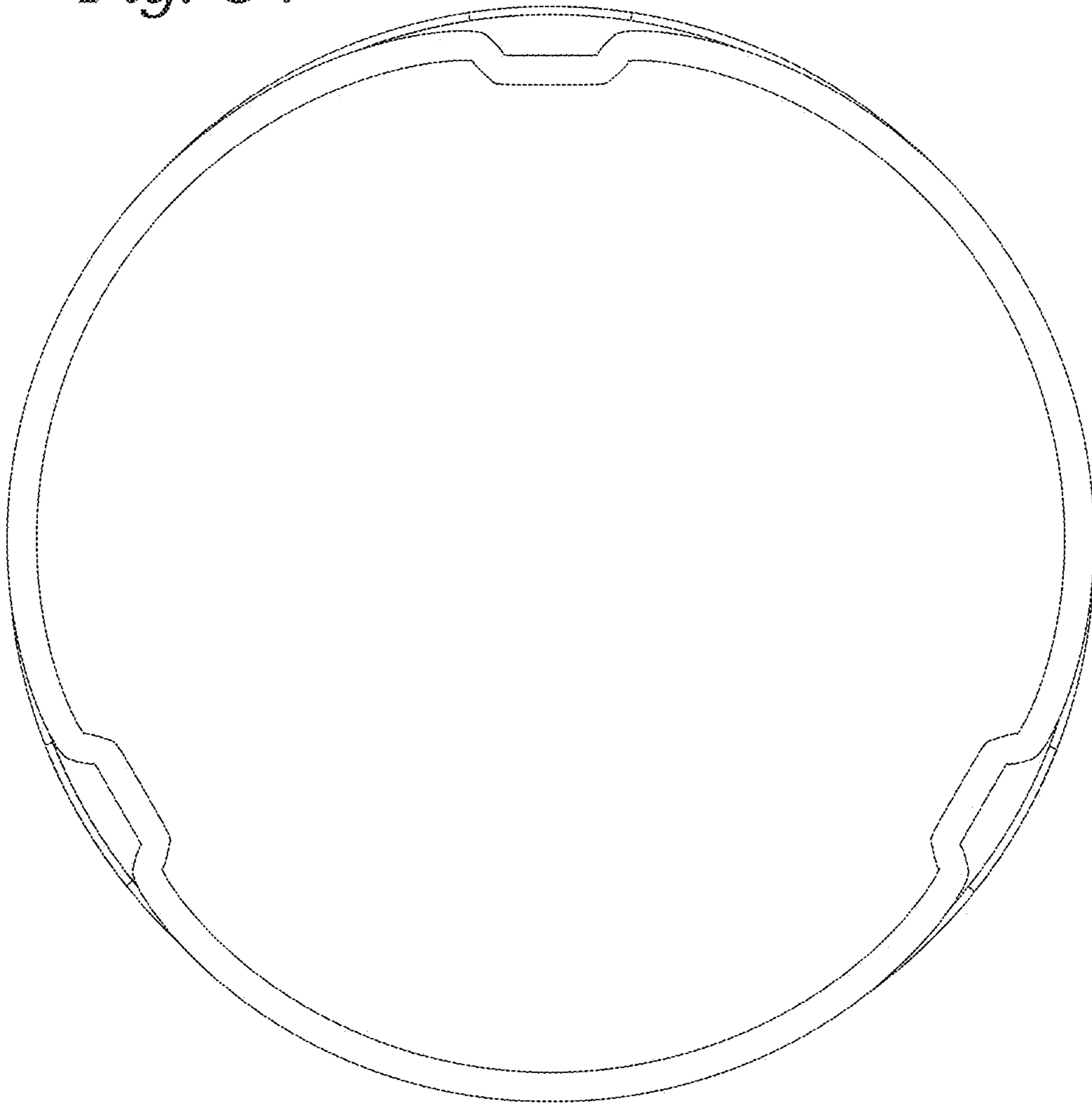


Fig. 35

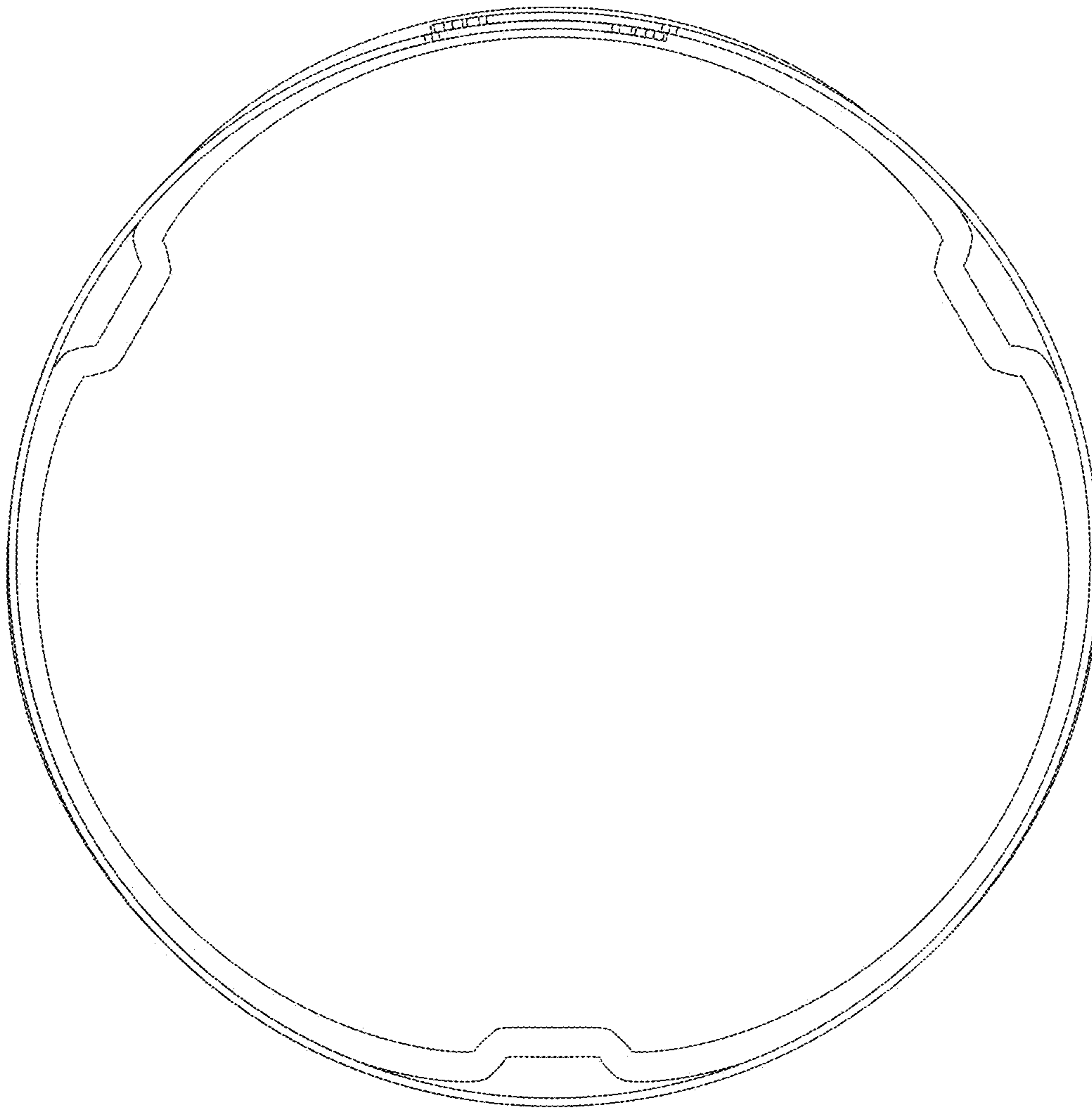


Fig. 36

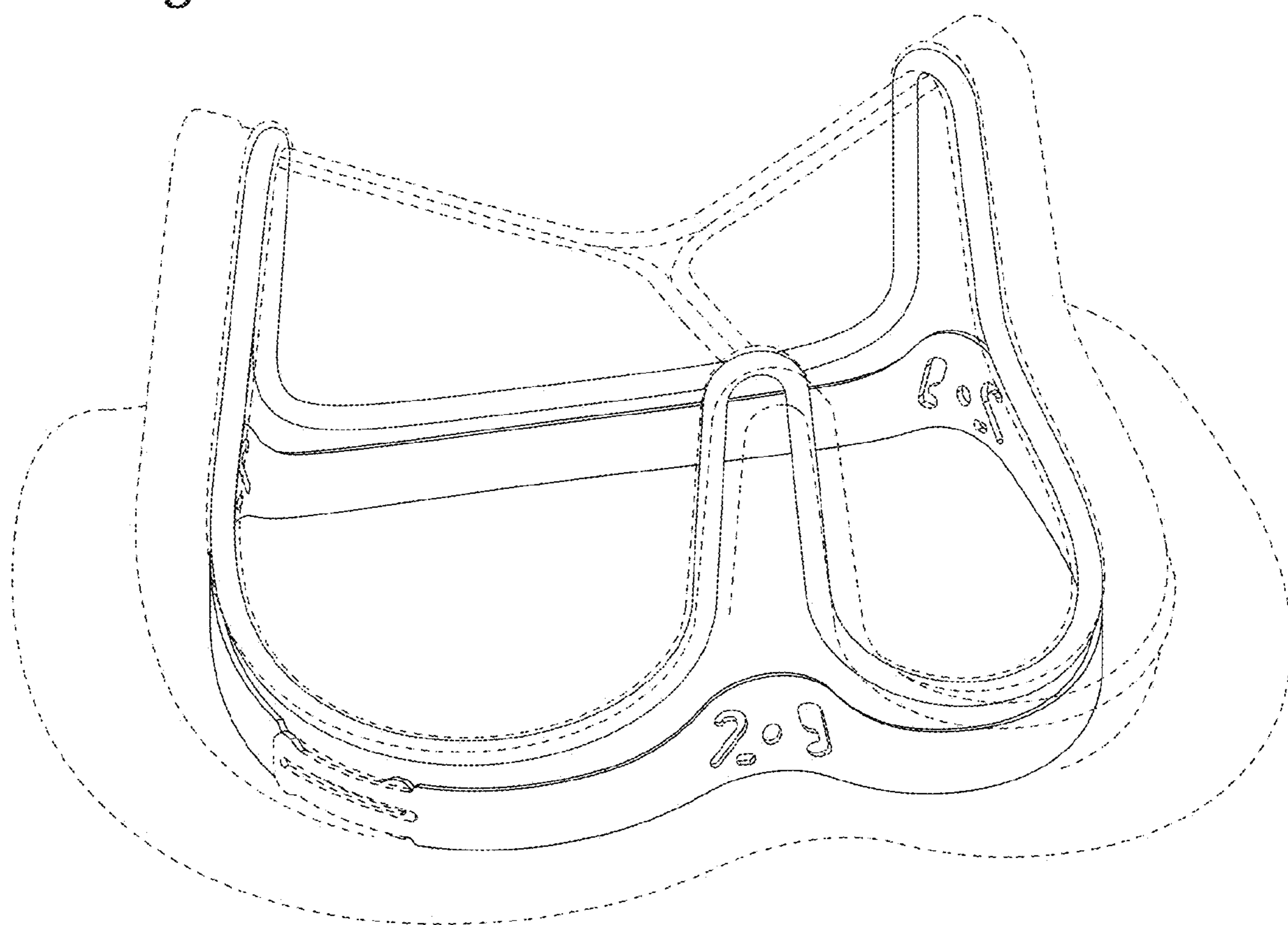


Fig. 37

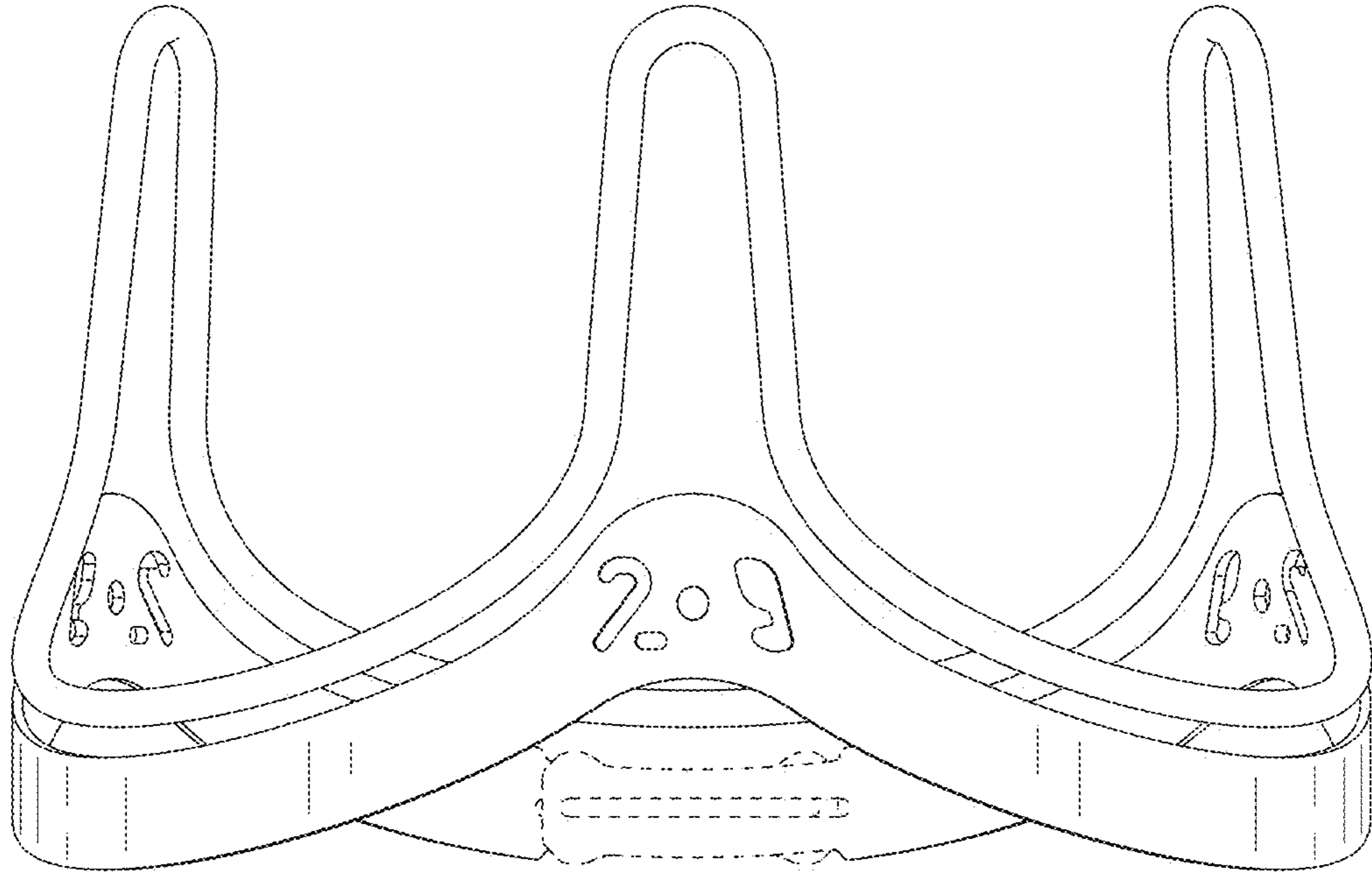


Fig. 38

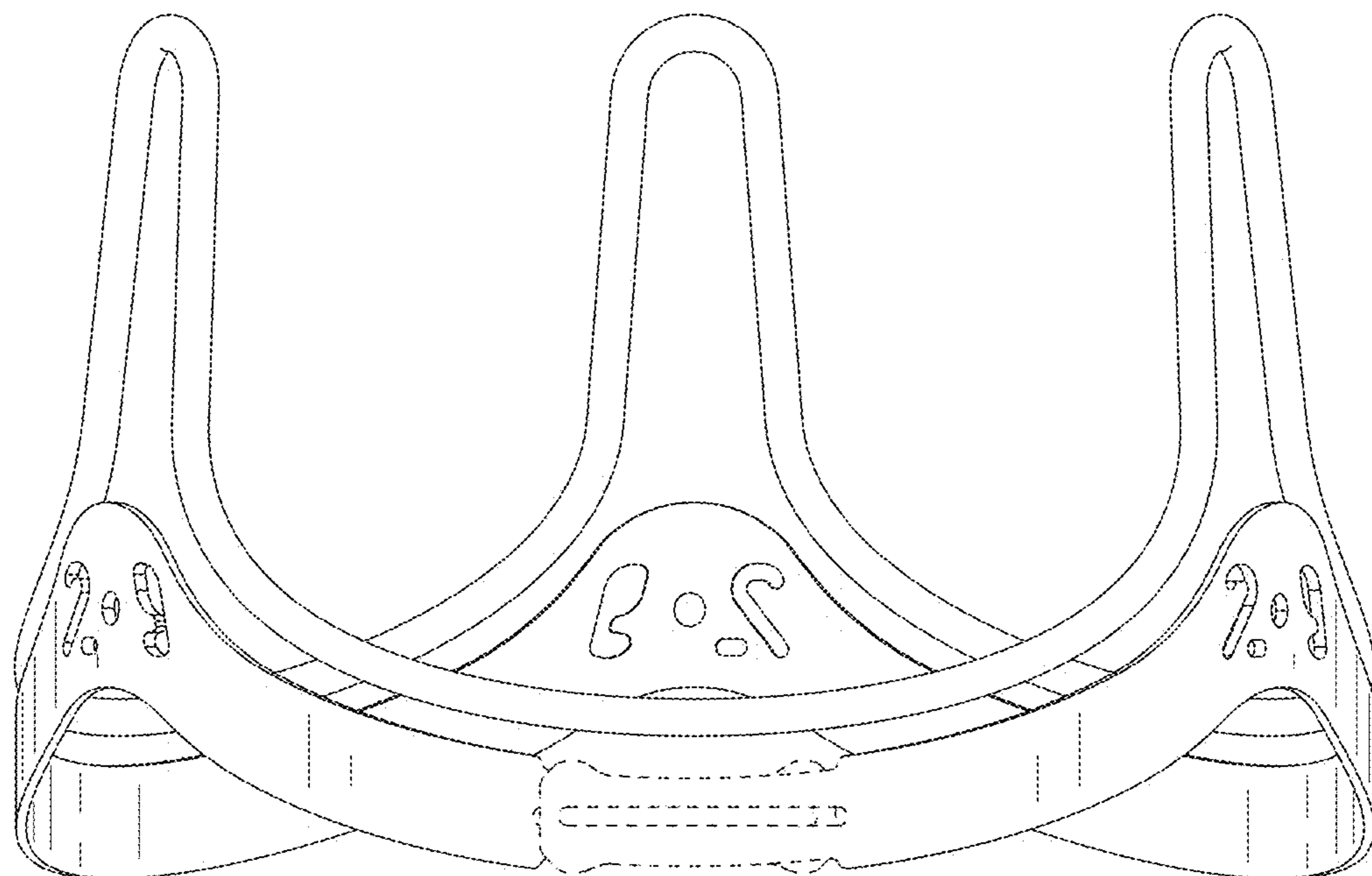


Fig. 39

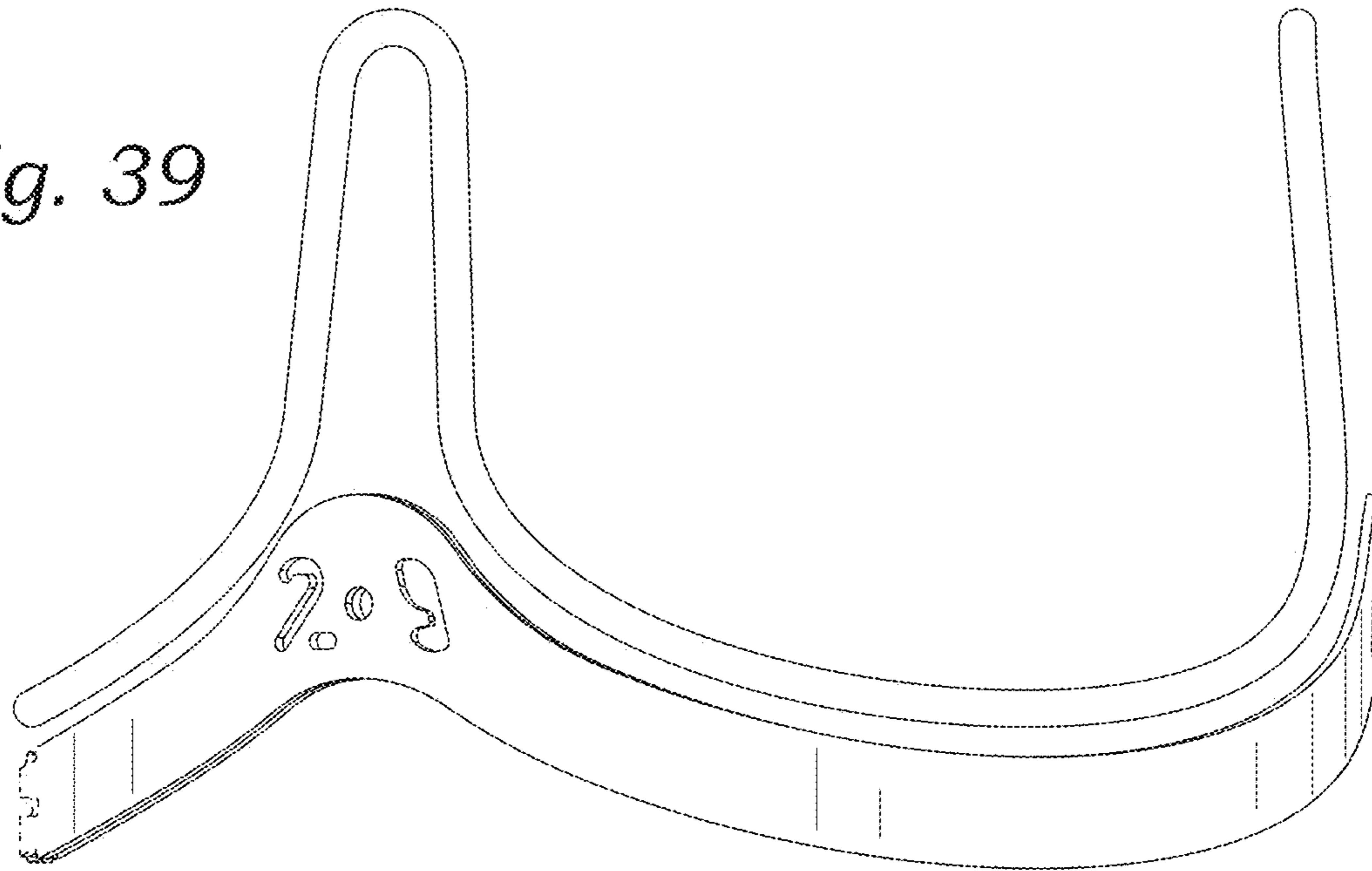


Fig. 40

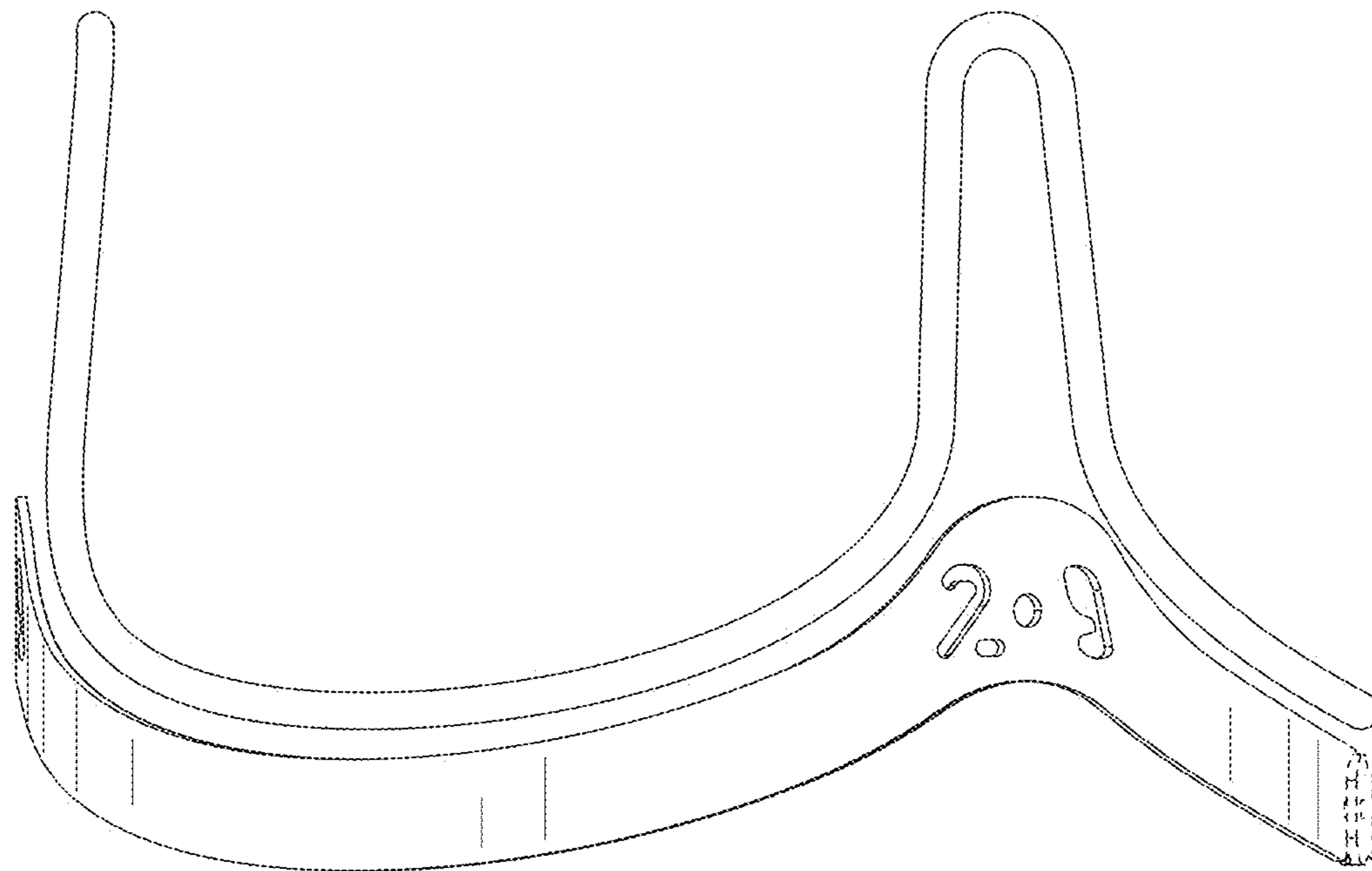


Fig. 41

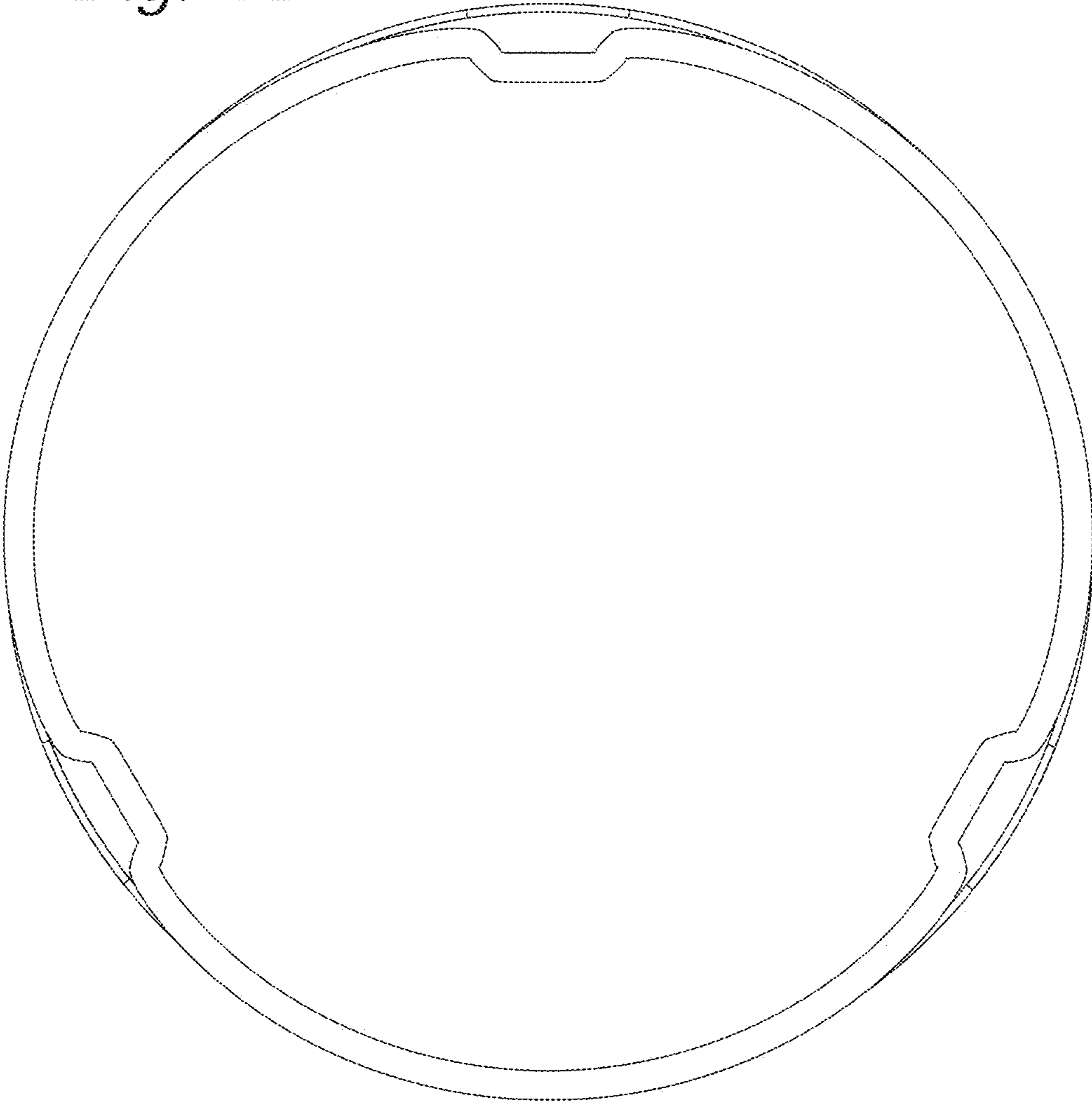


Fig. 42

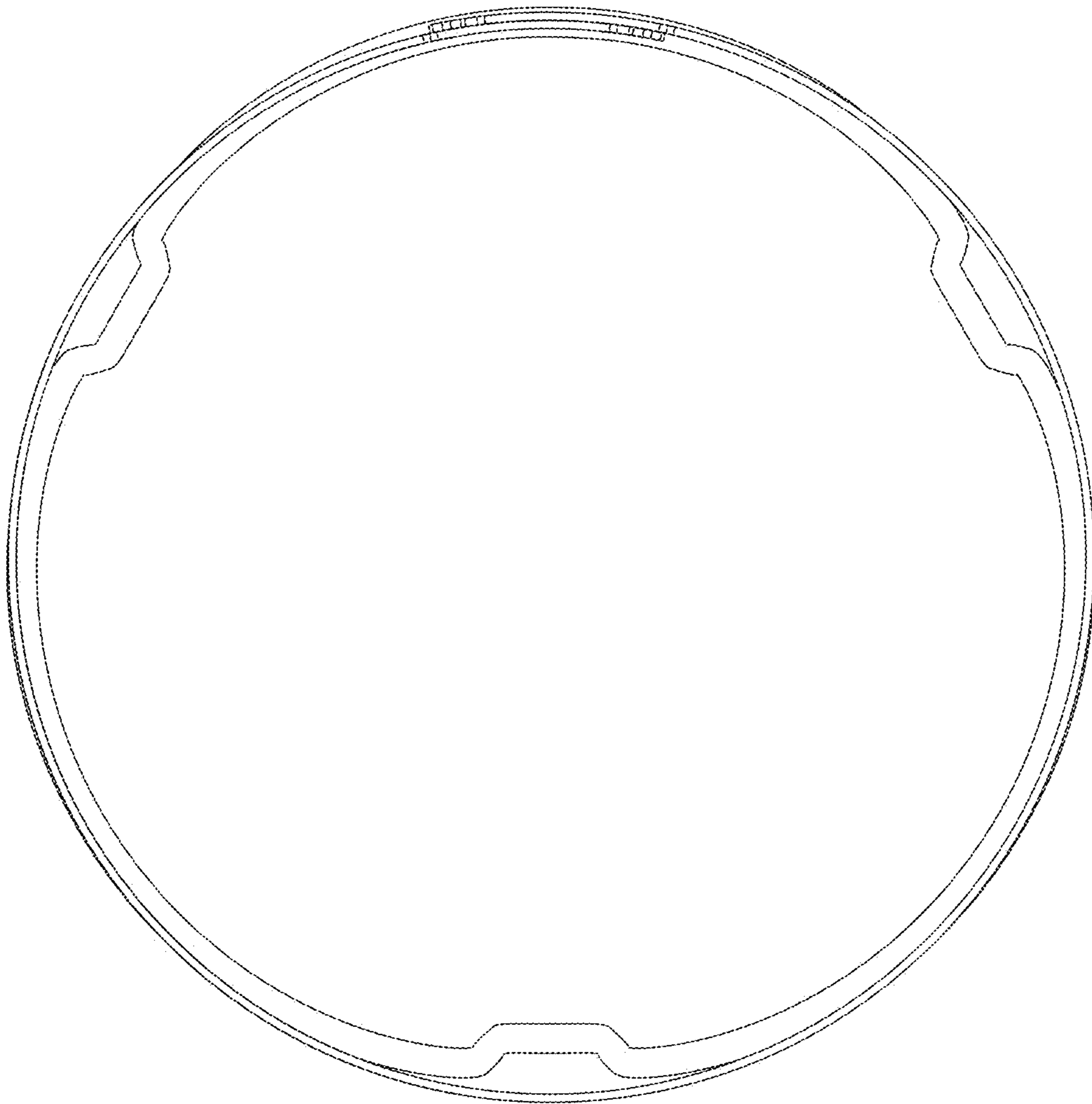


Fig. 43

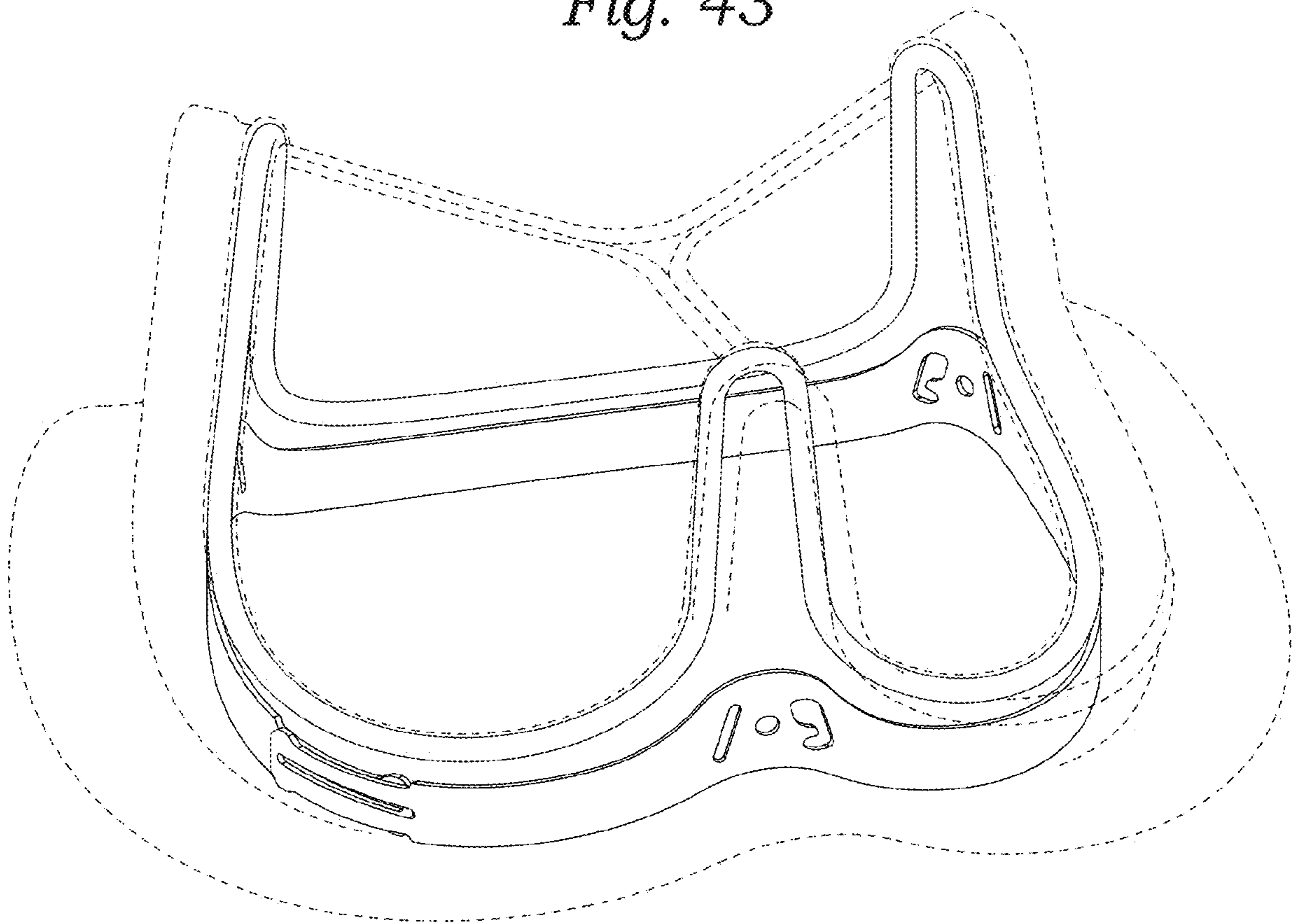


Fig. 44

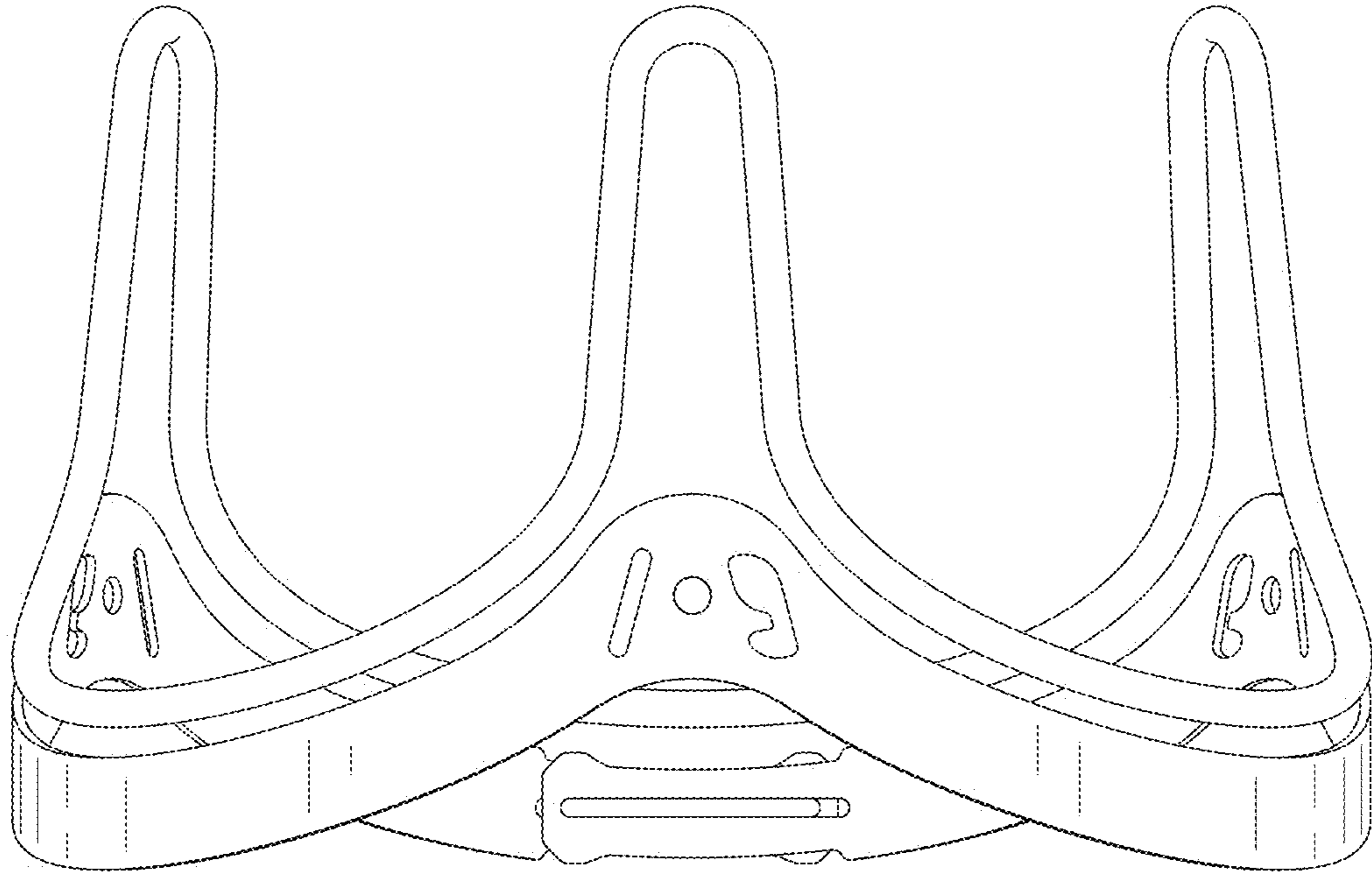


Fig. 45

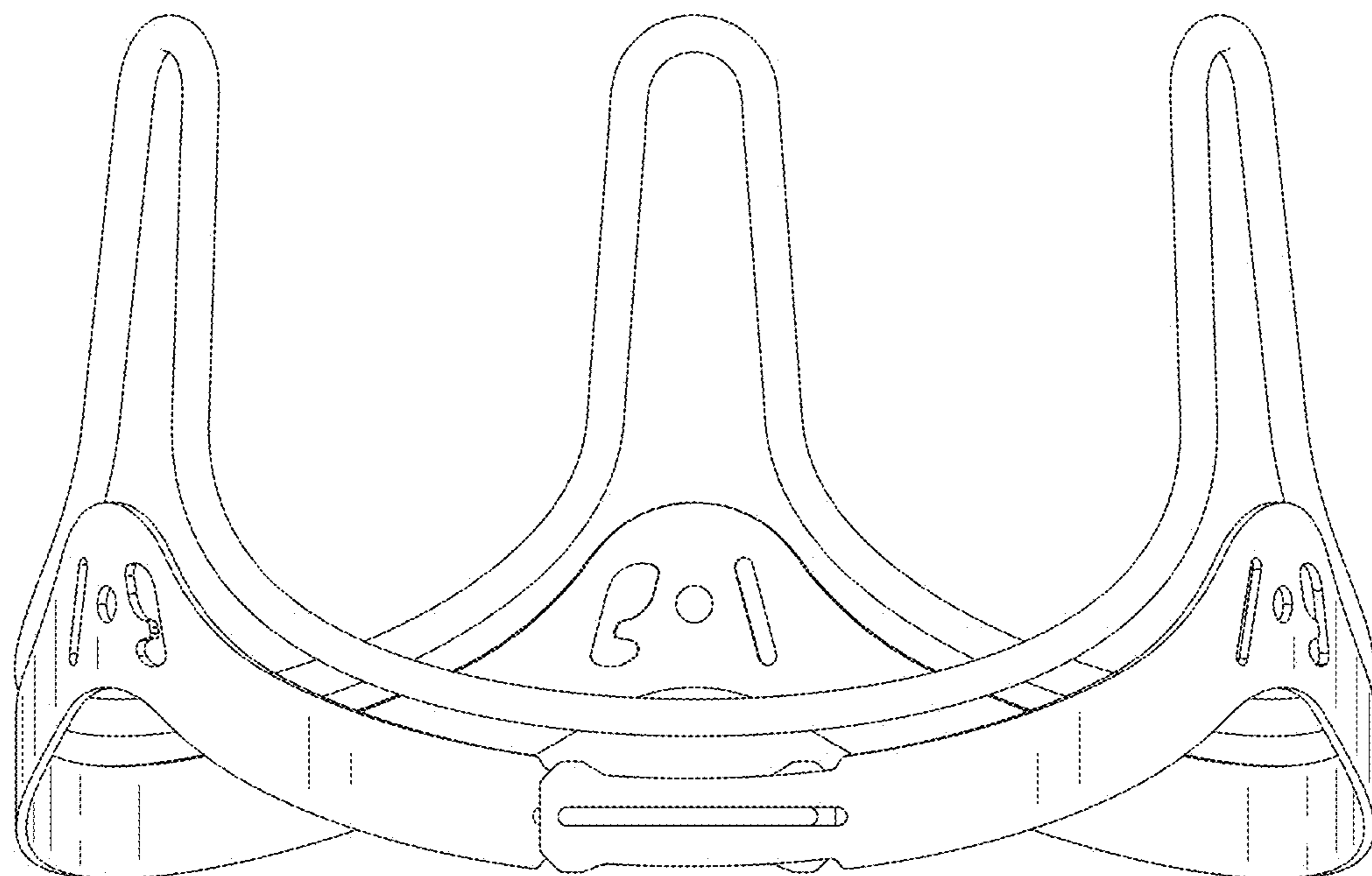


Fig. 46

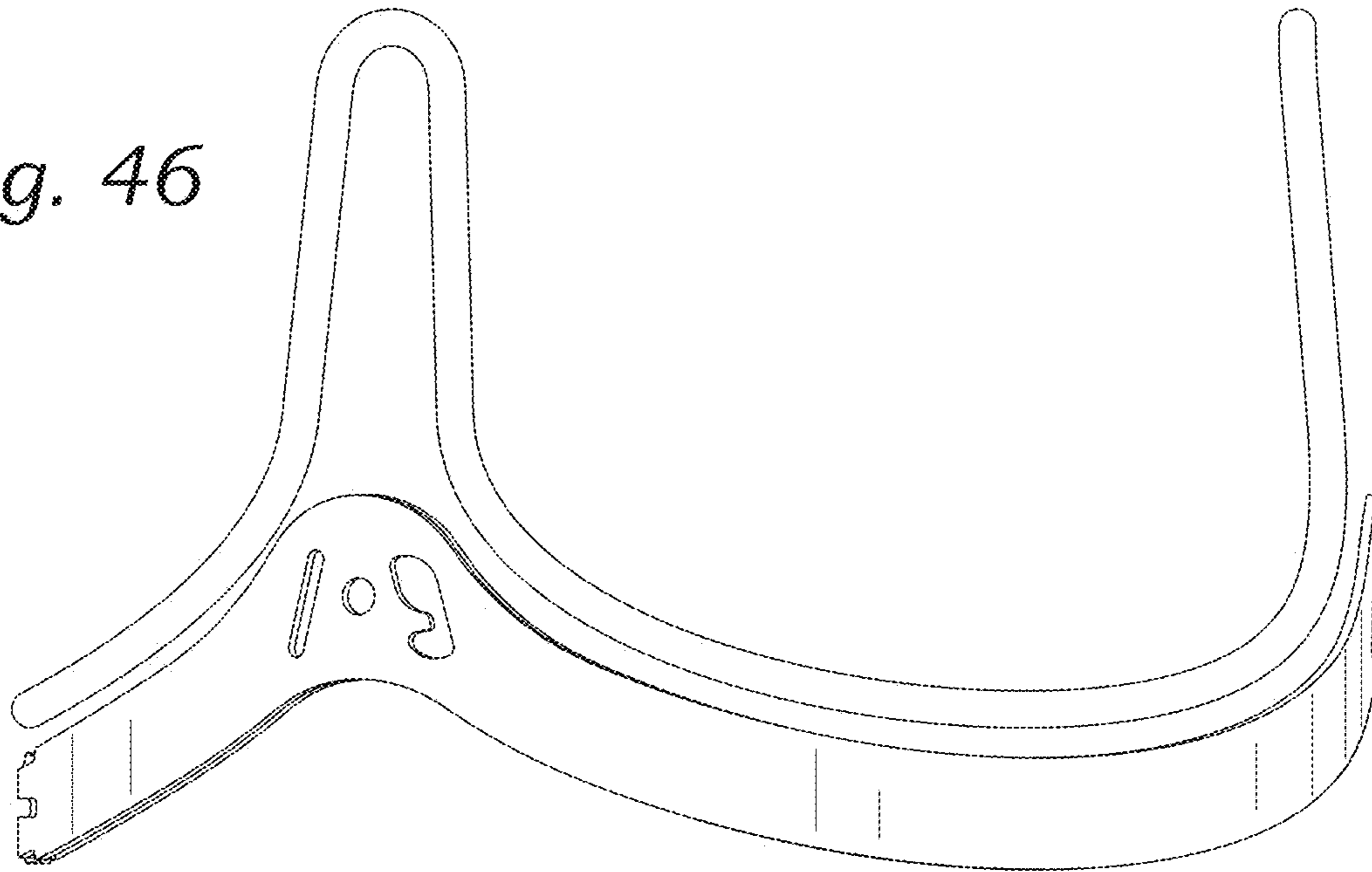


Fig. 47

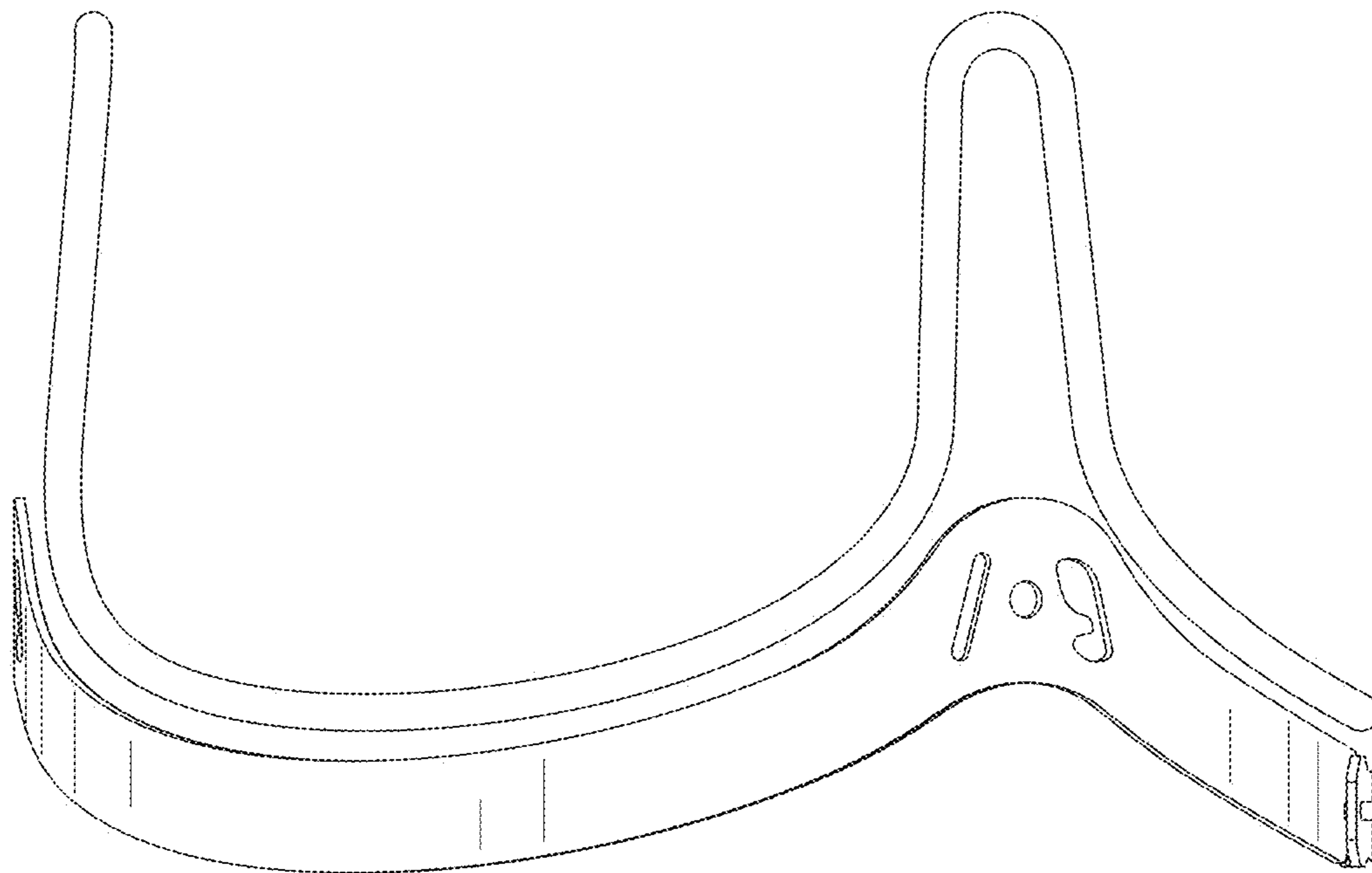


Fig. 48

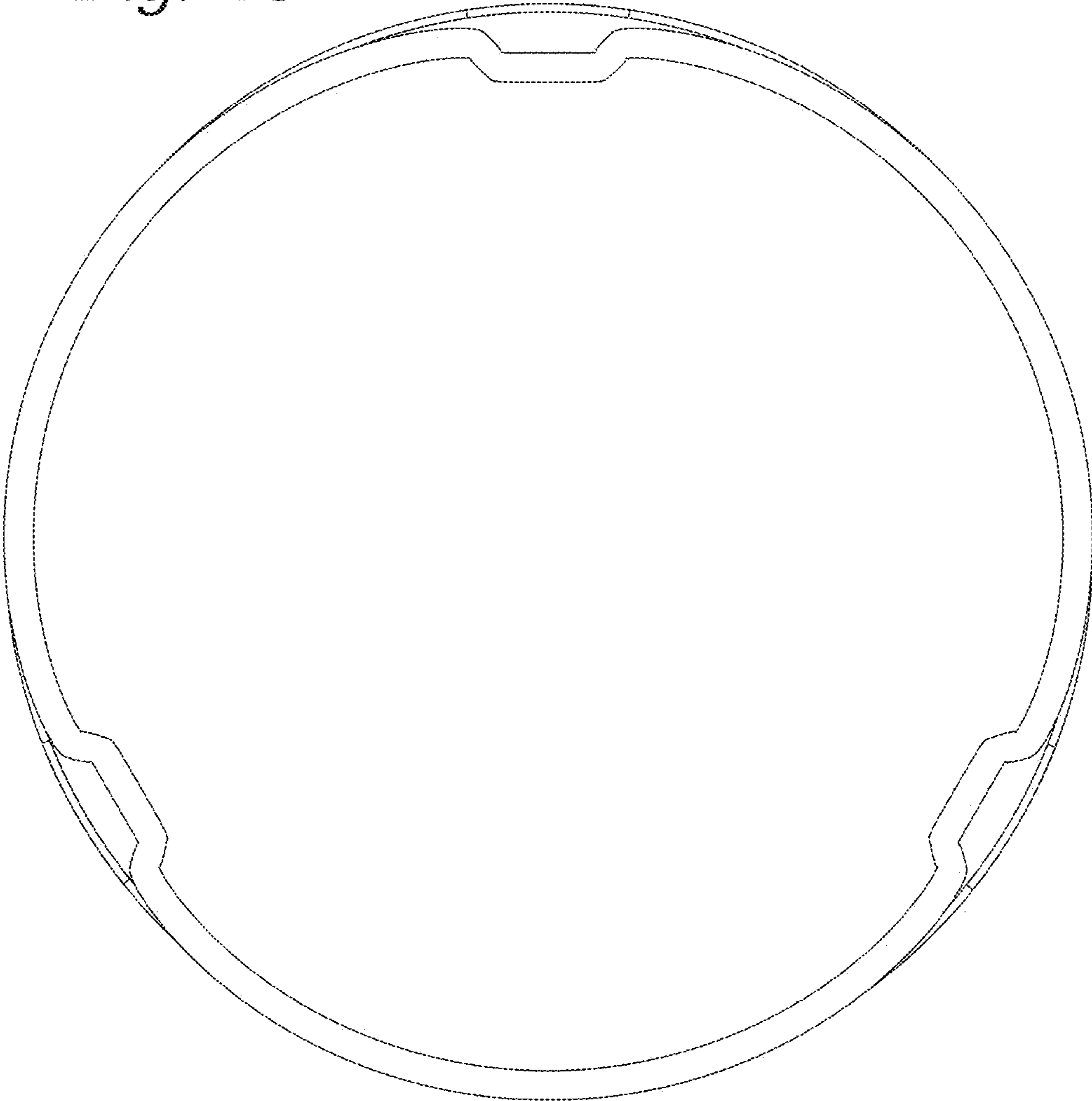


Fig. 49

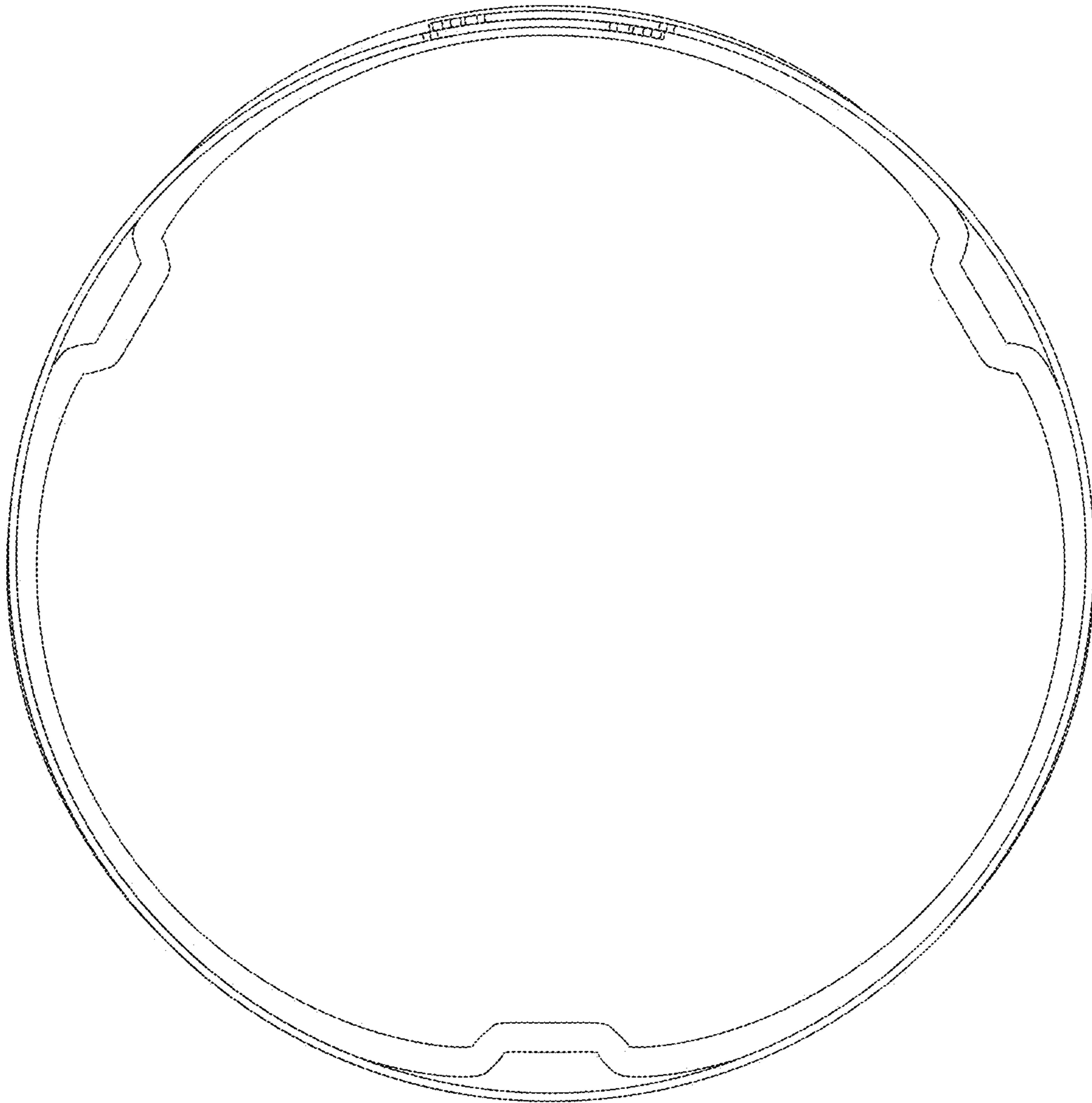


Fig. 50

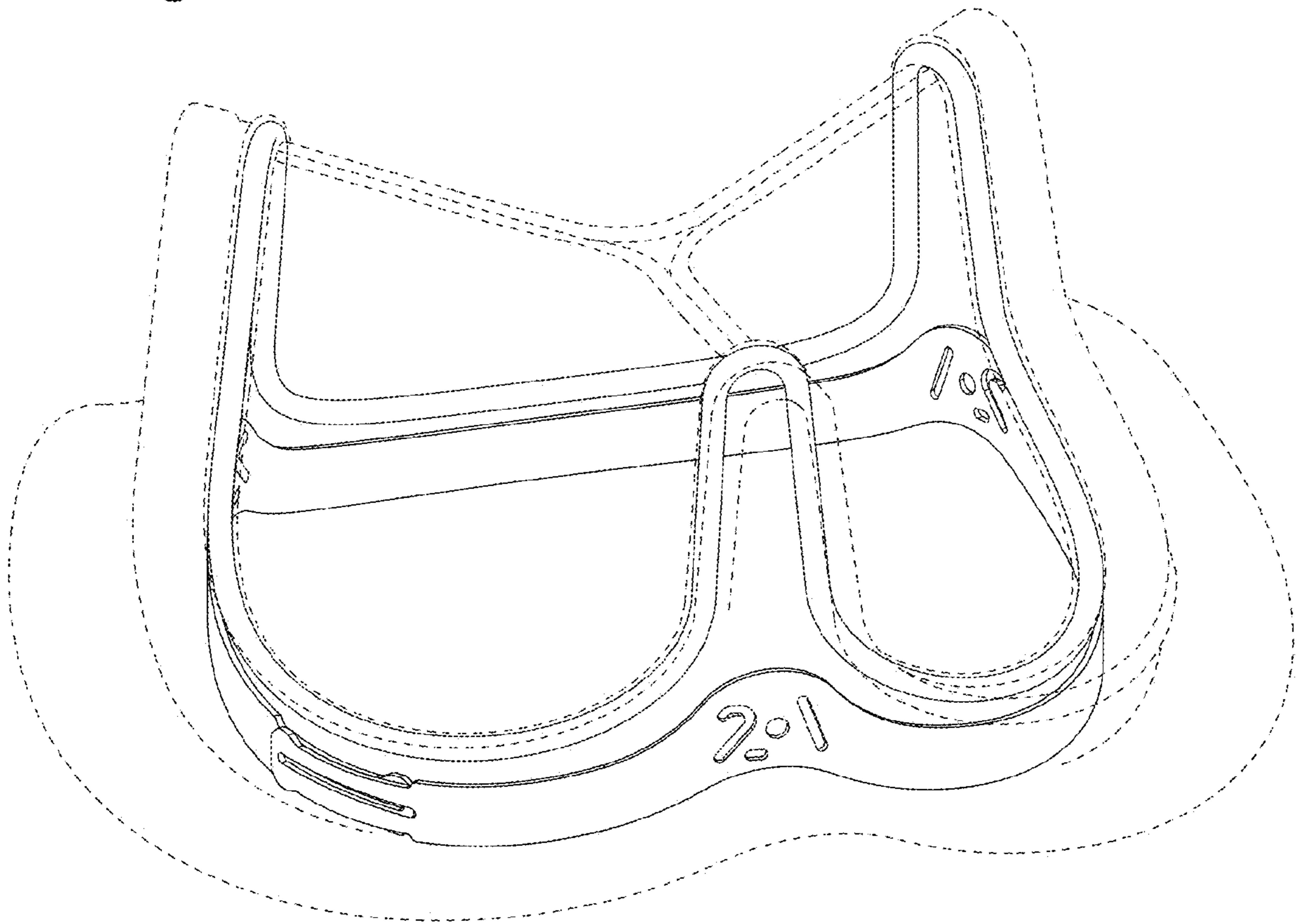


Fig. 51

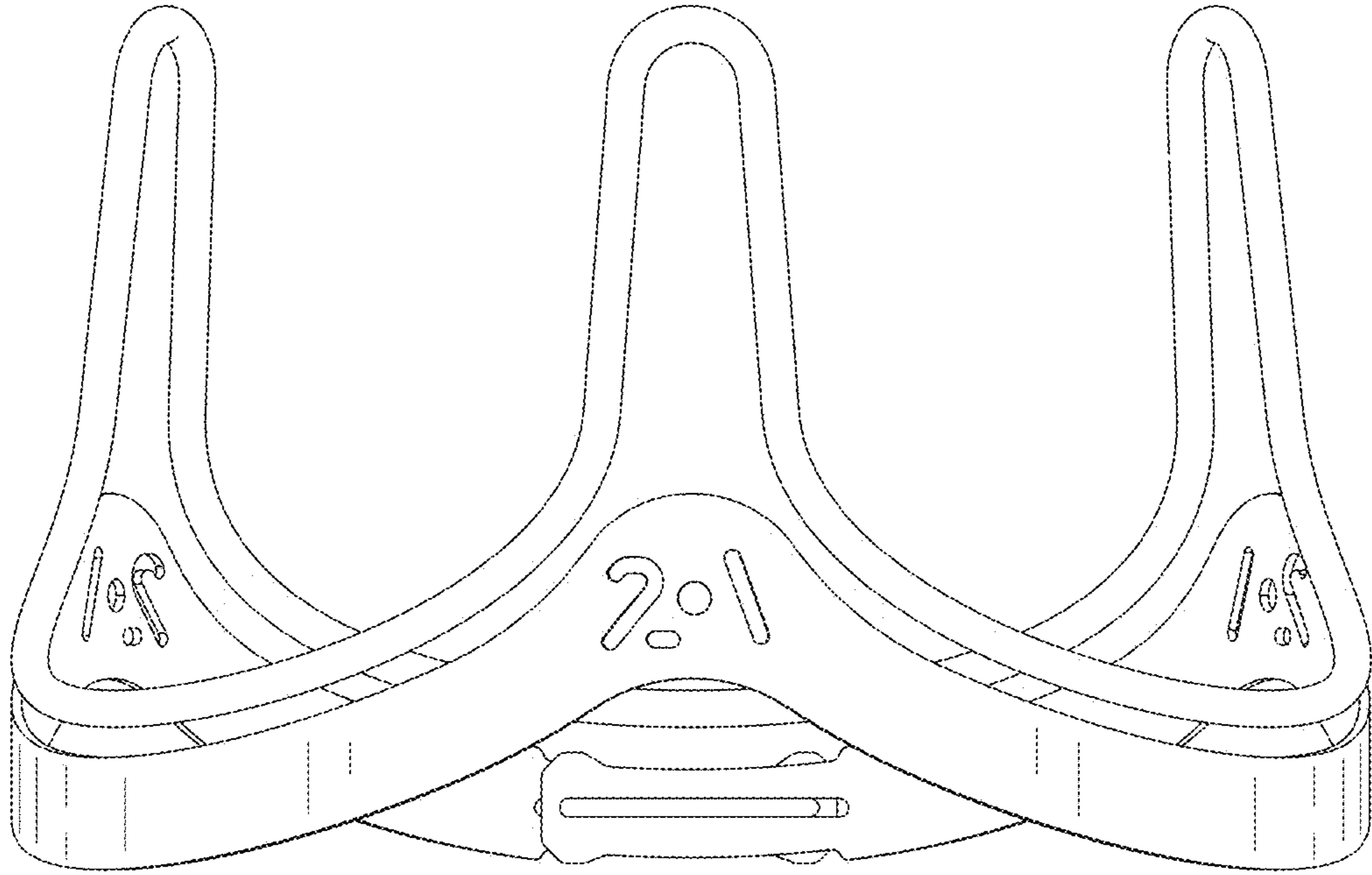


Fig. 52

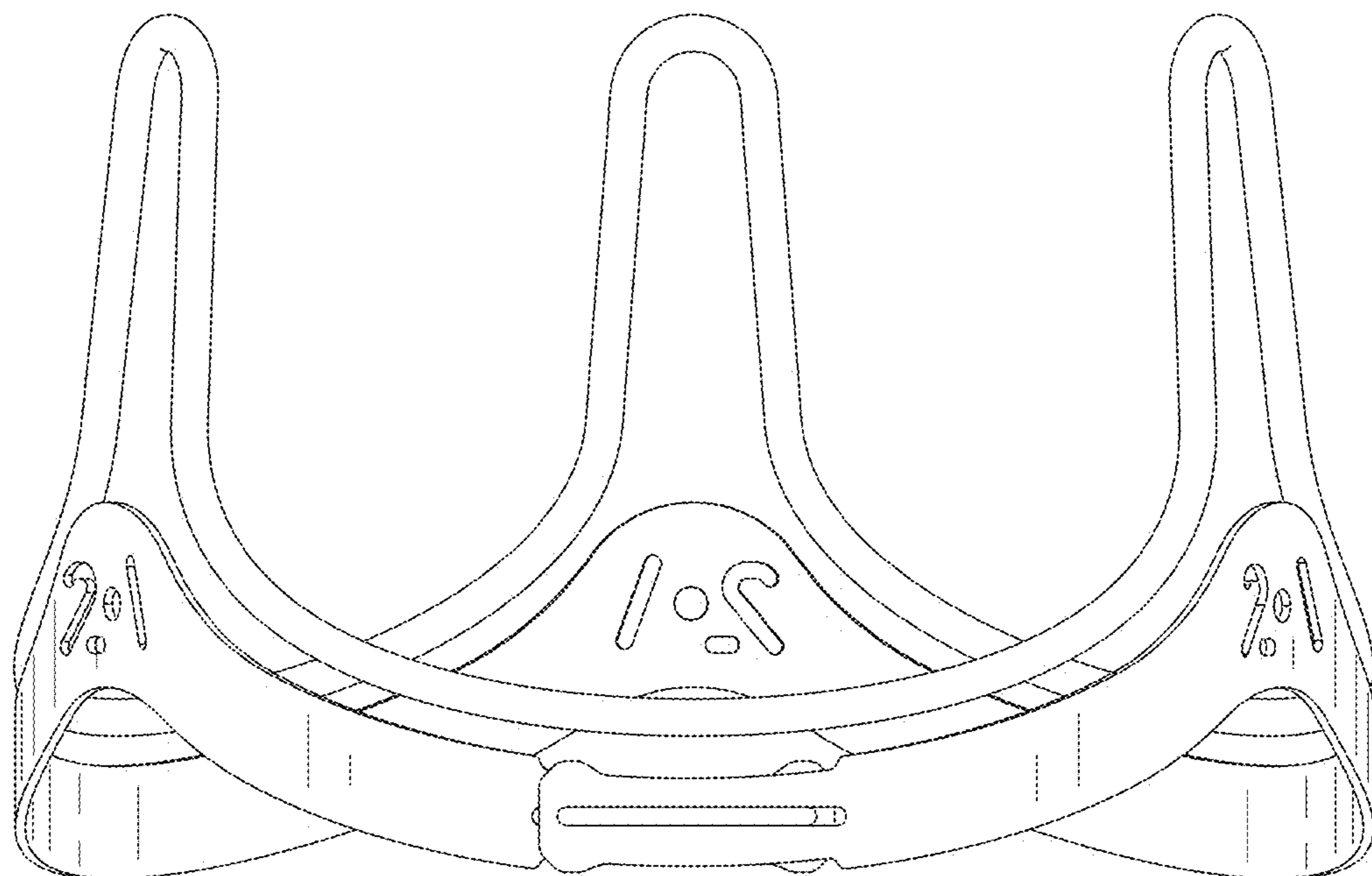


Fig. 53

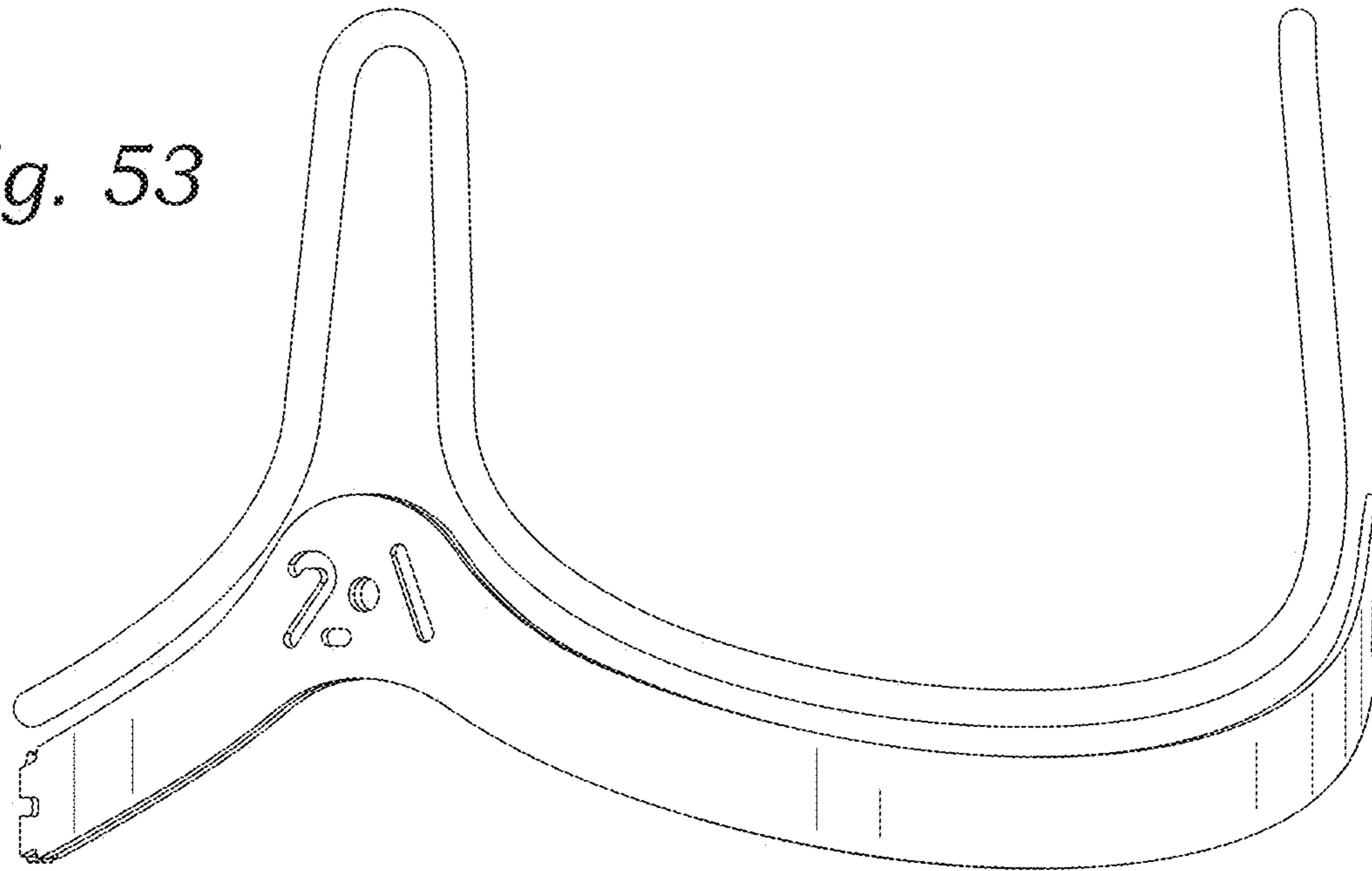


Fig. 54

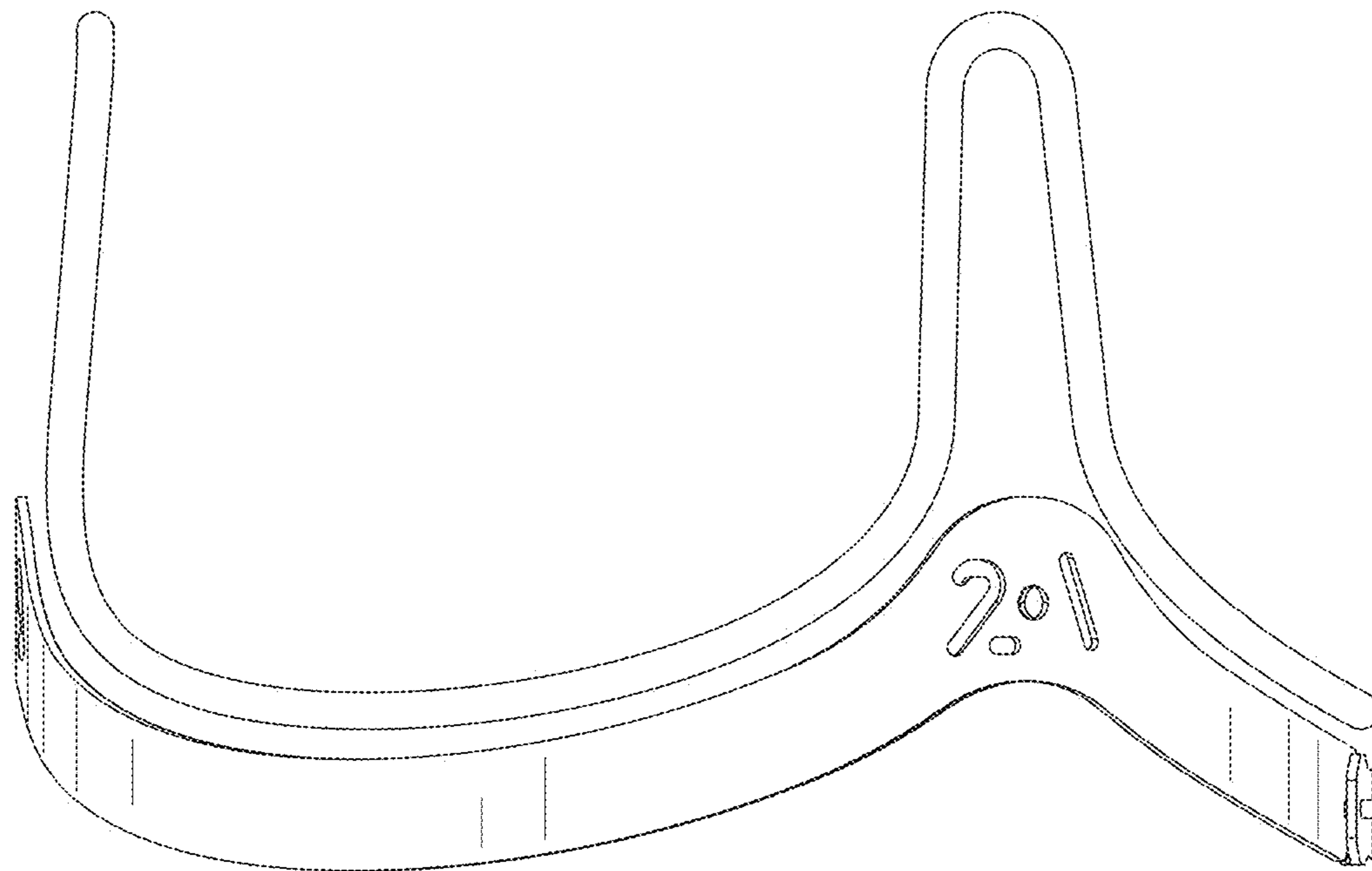


Fig. 55

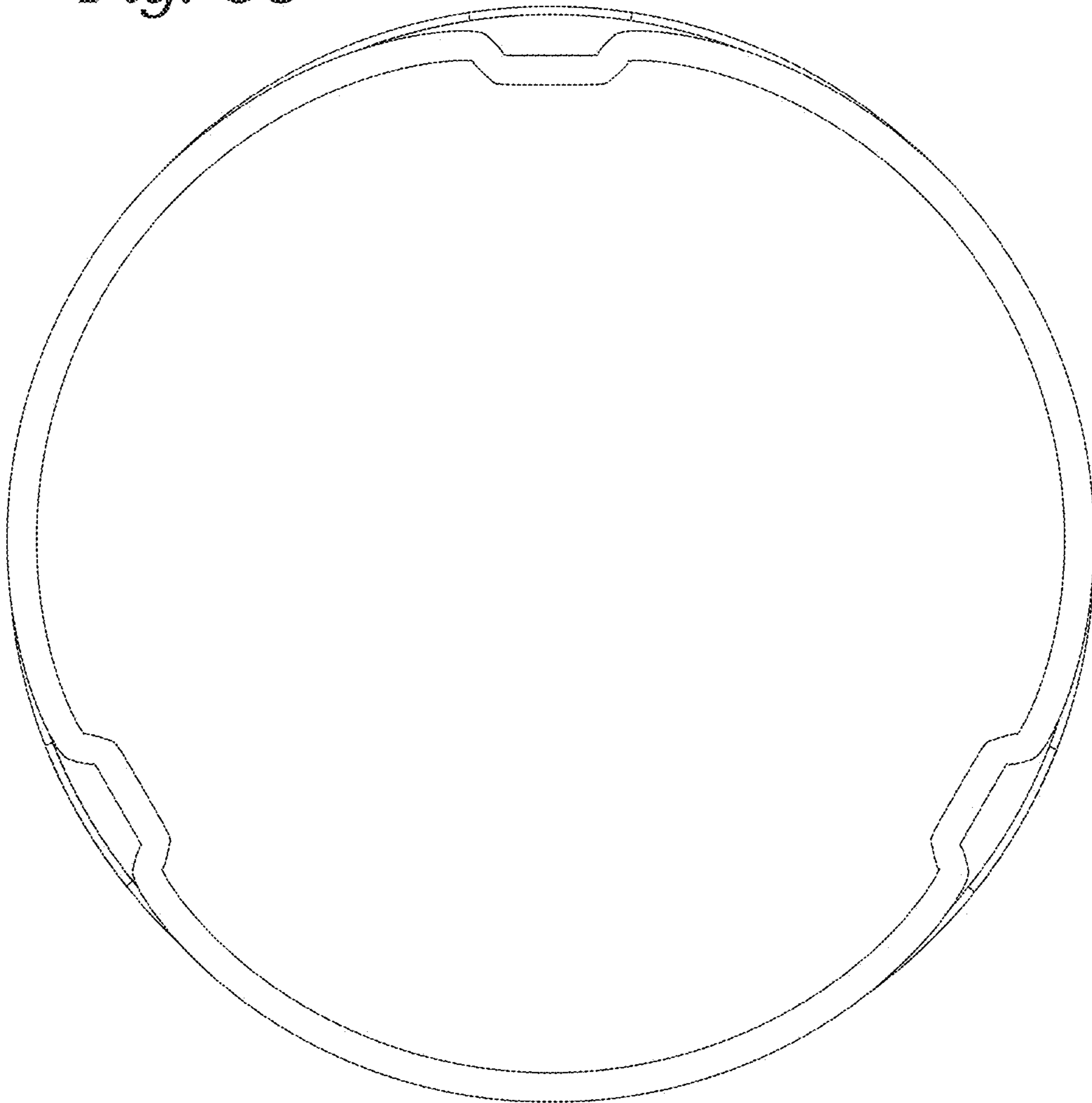


Fig. 56

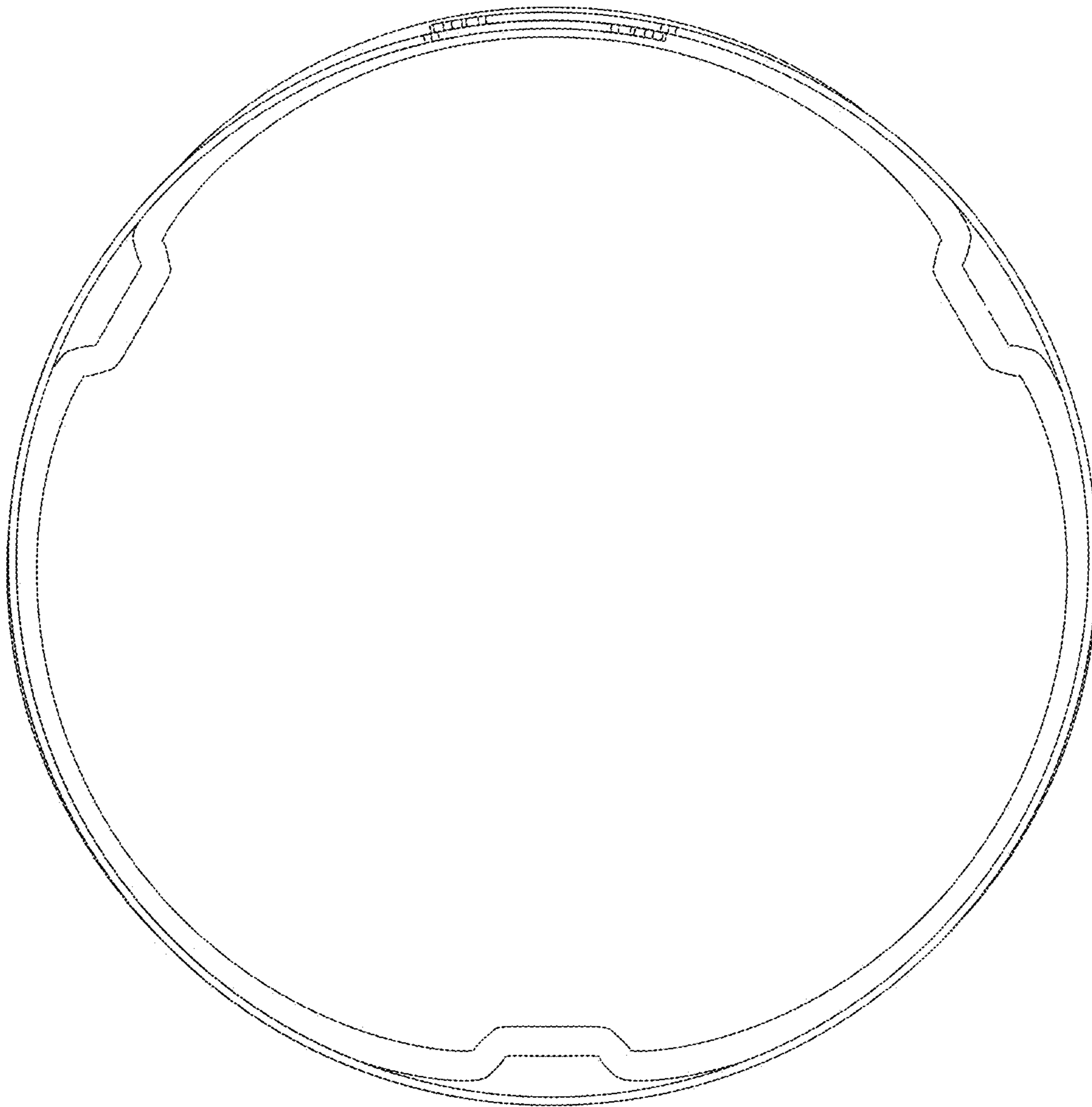


Fig. 57

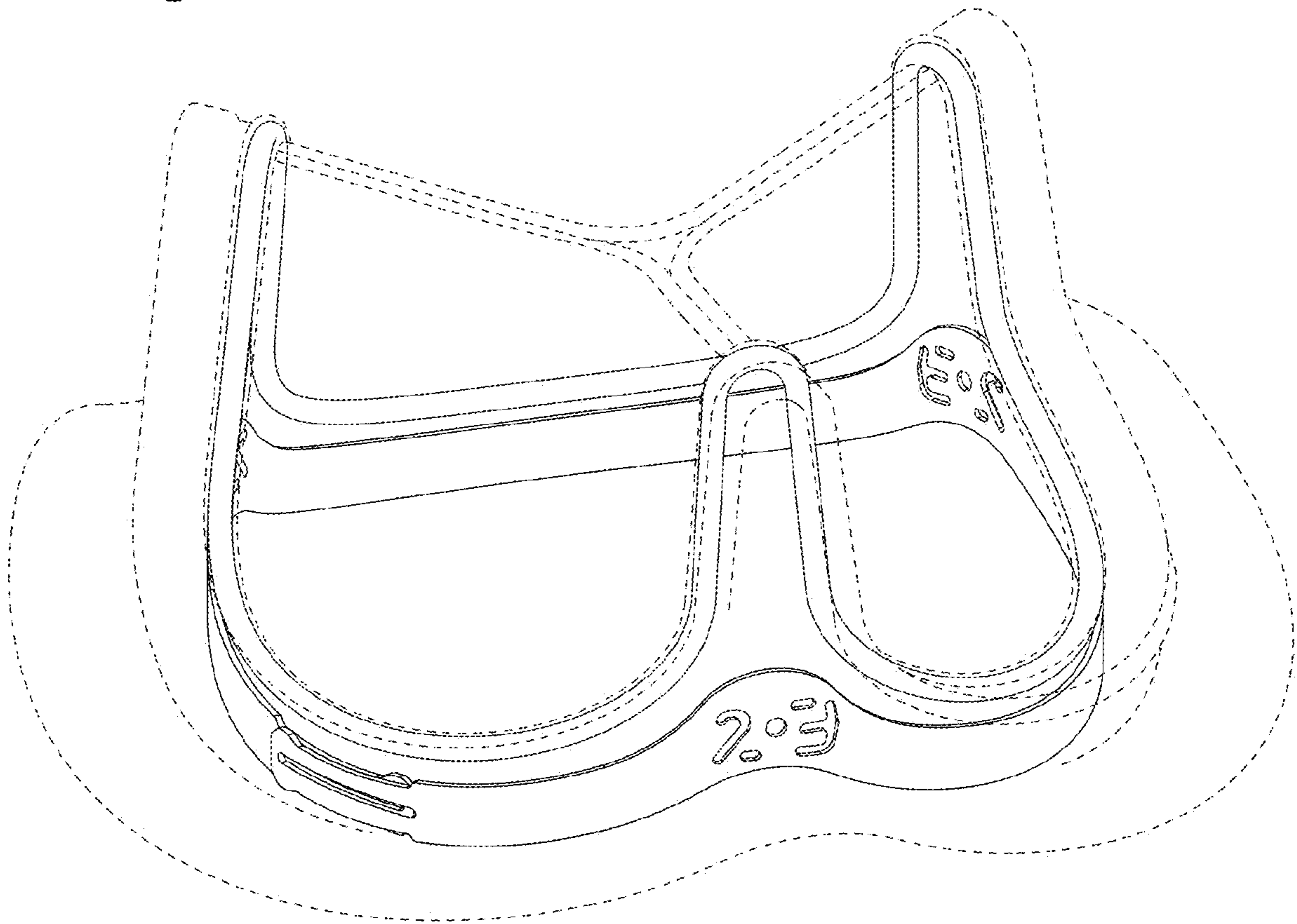


Fig. 58

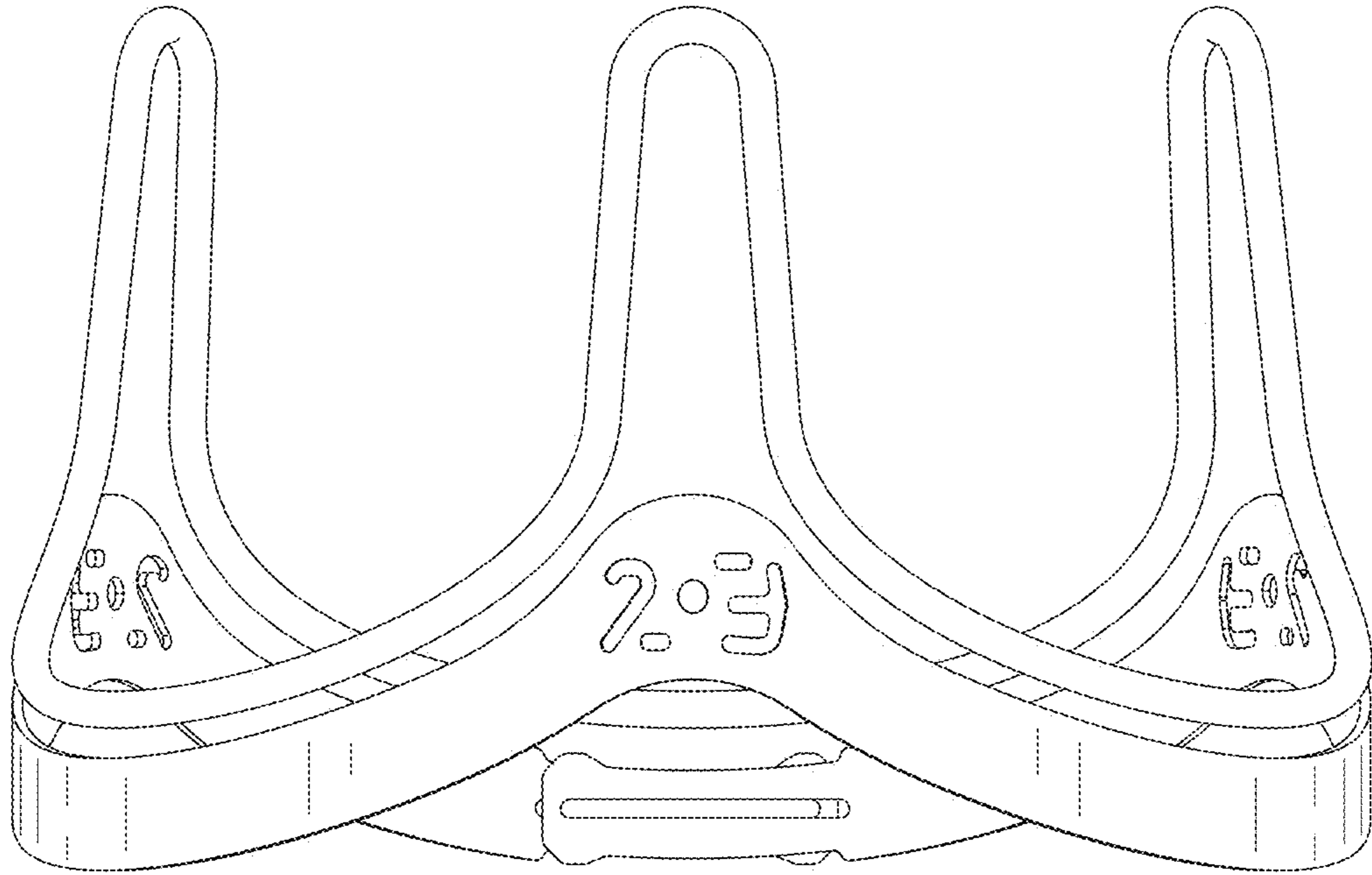


Fig. 59

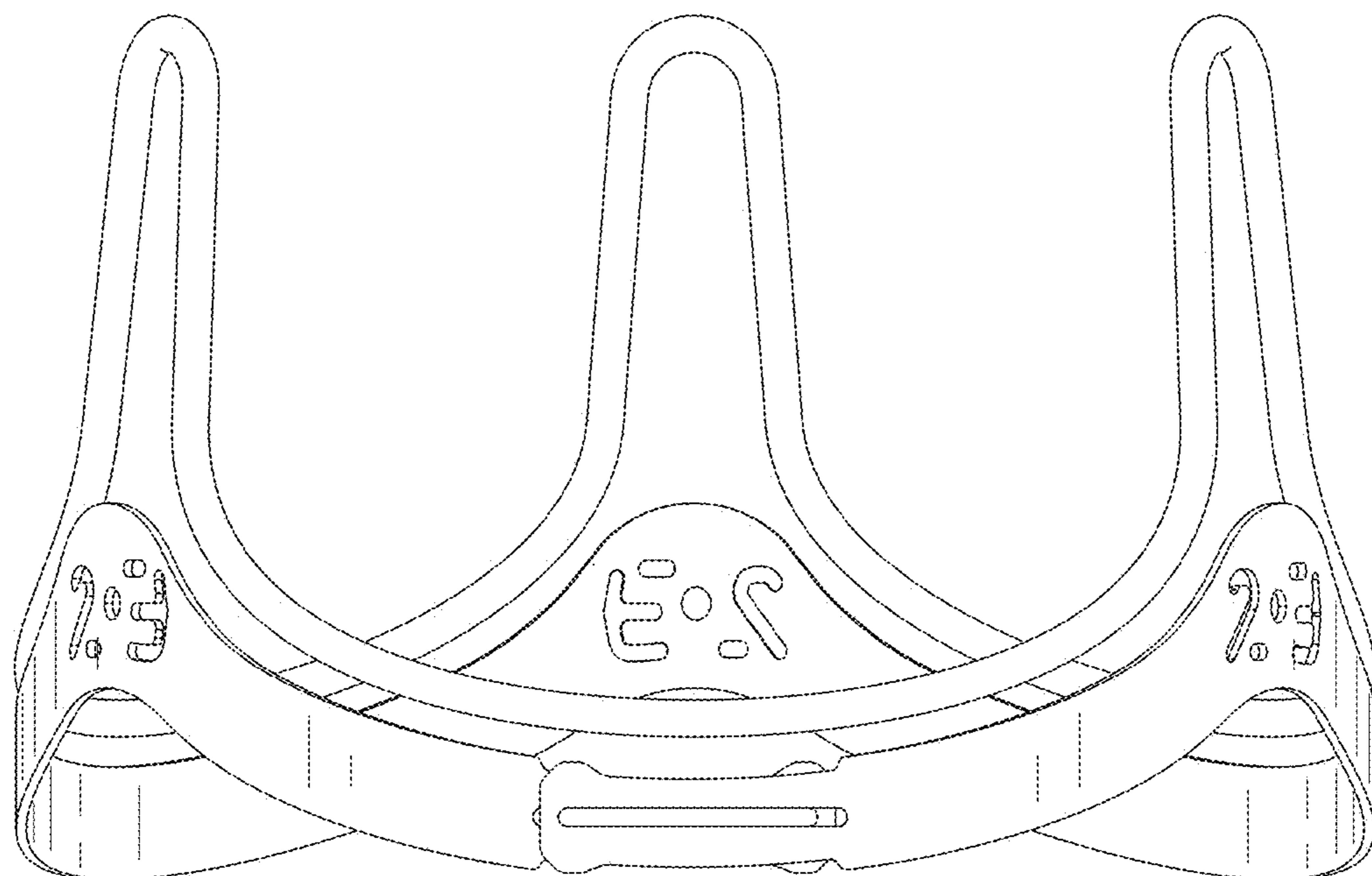


Fig. 60

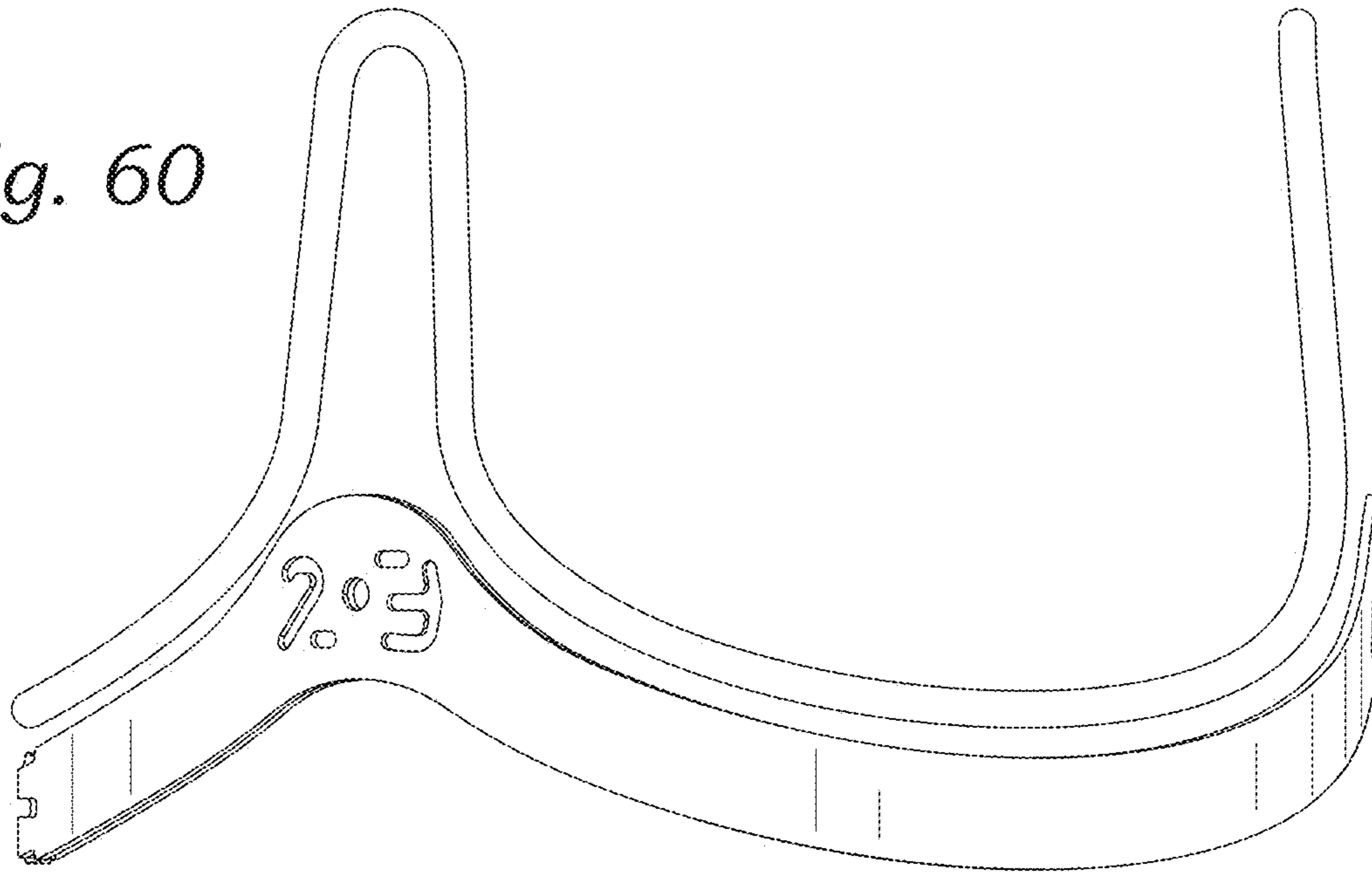


Fig. 61

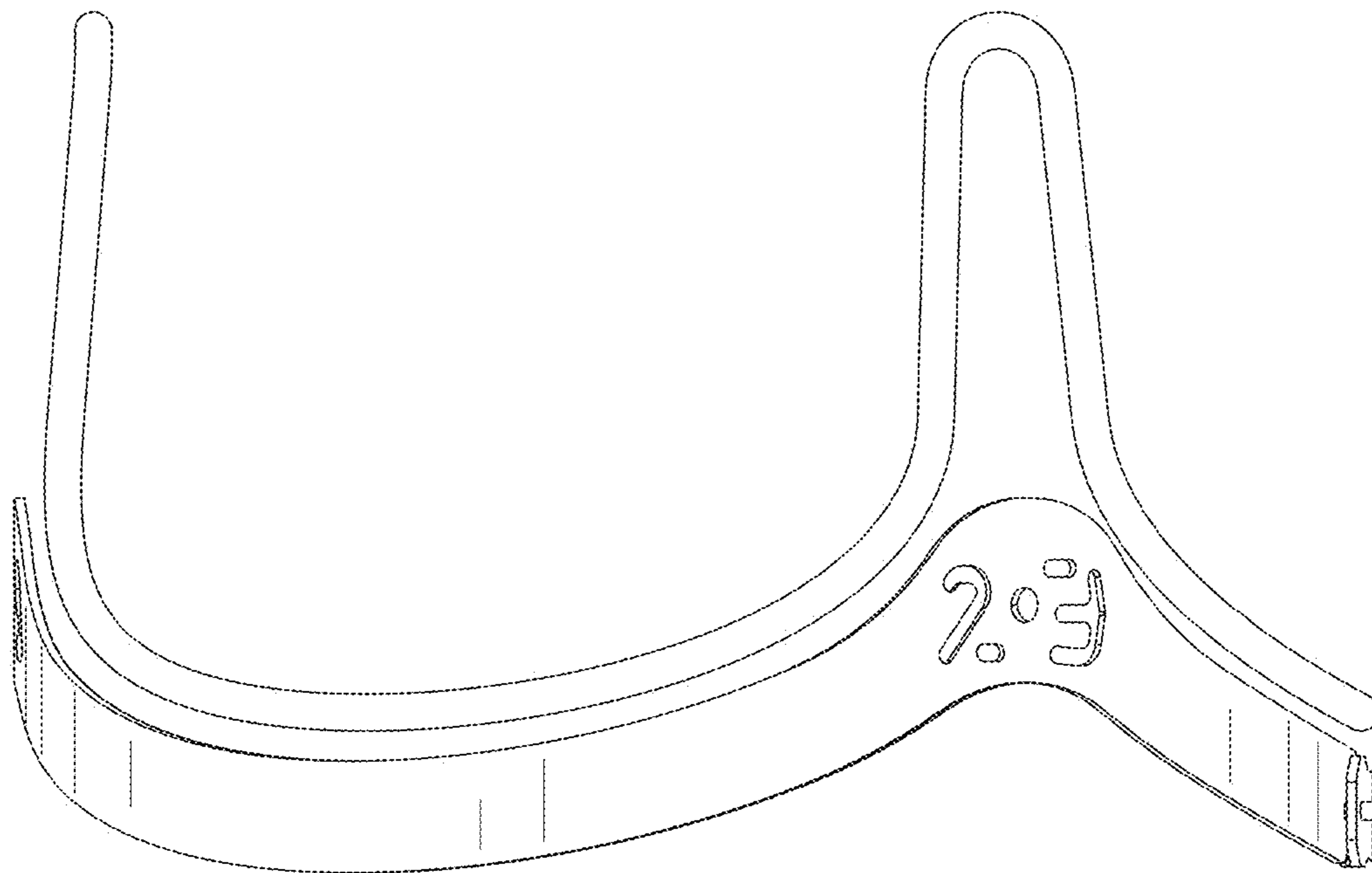


Fig. 62

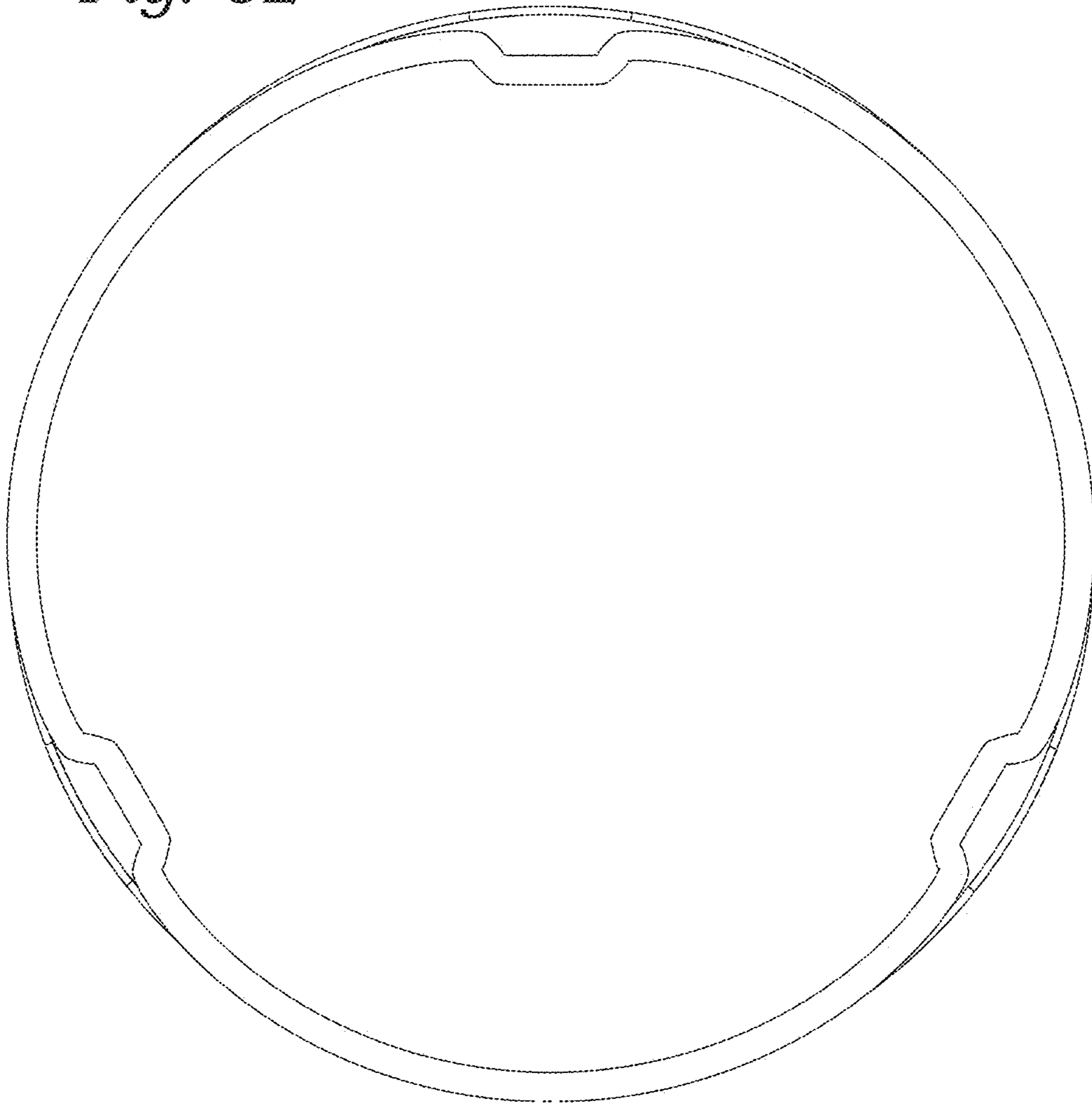


Fig. 63

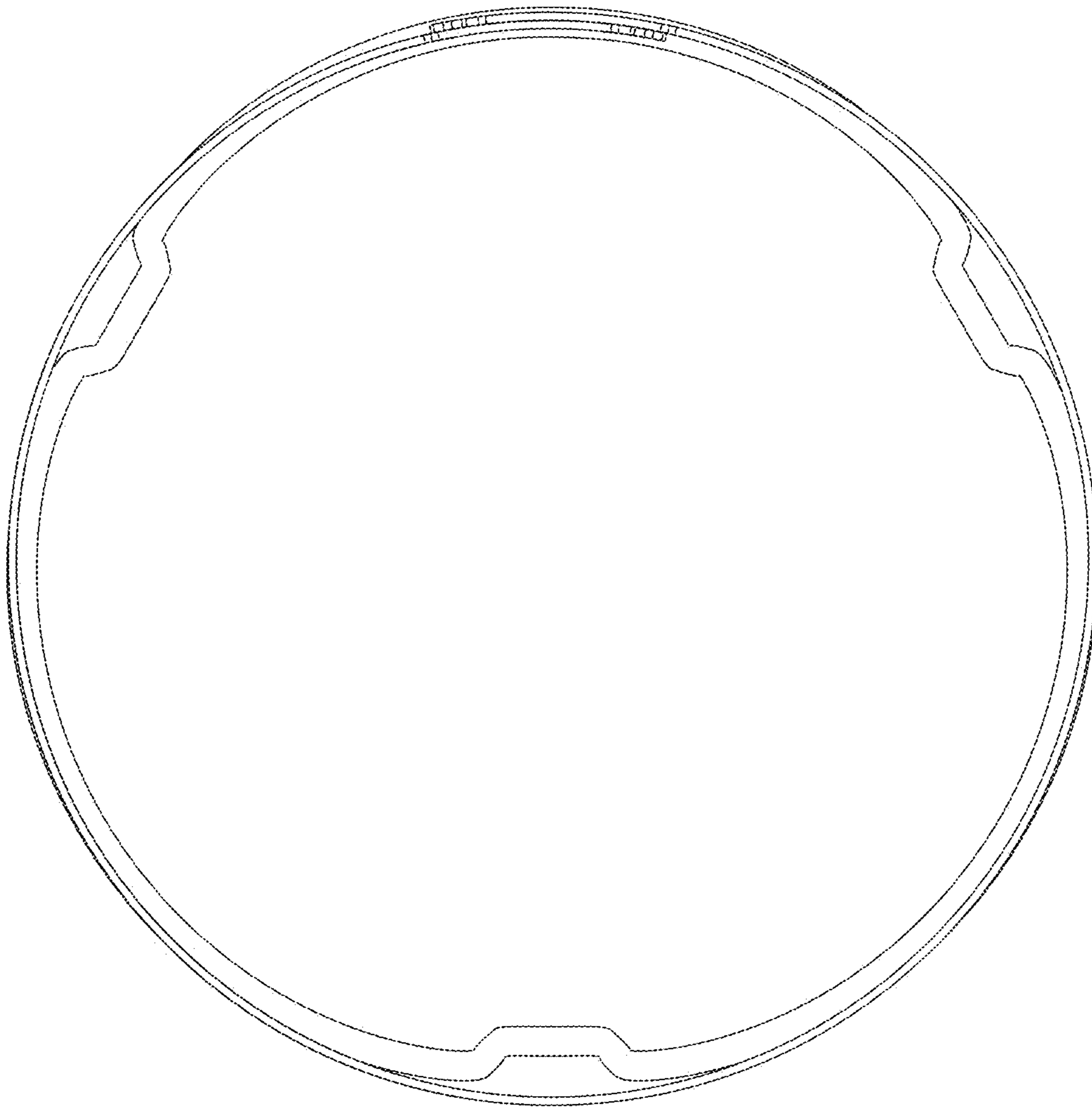


Fig. 64

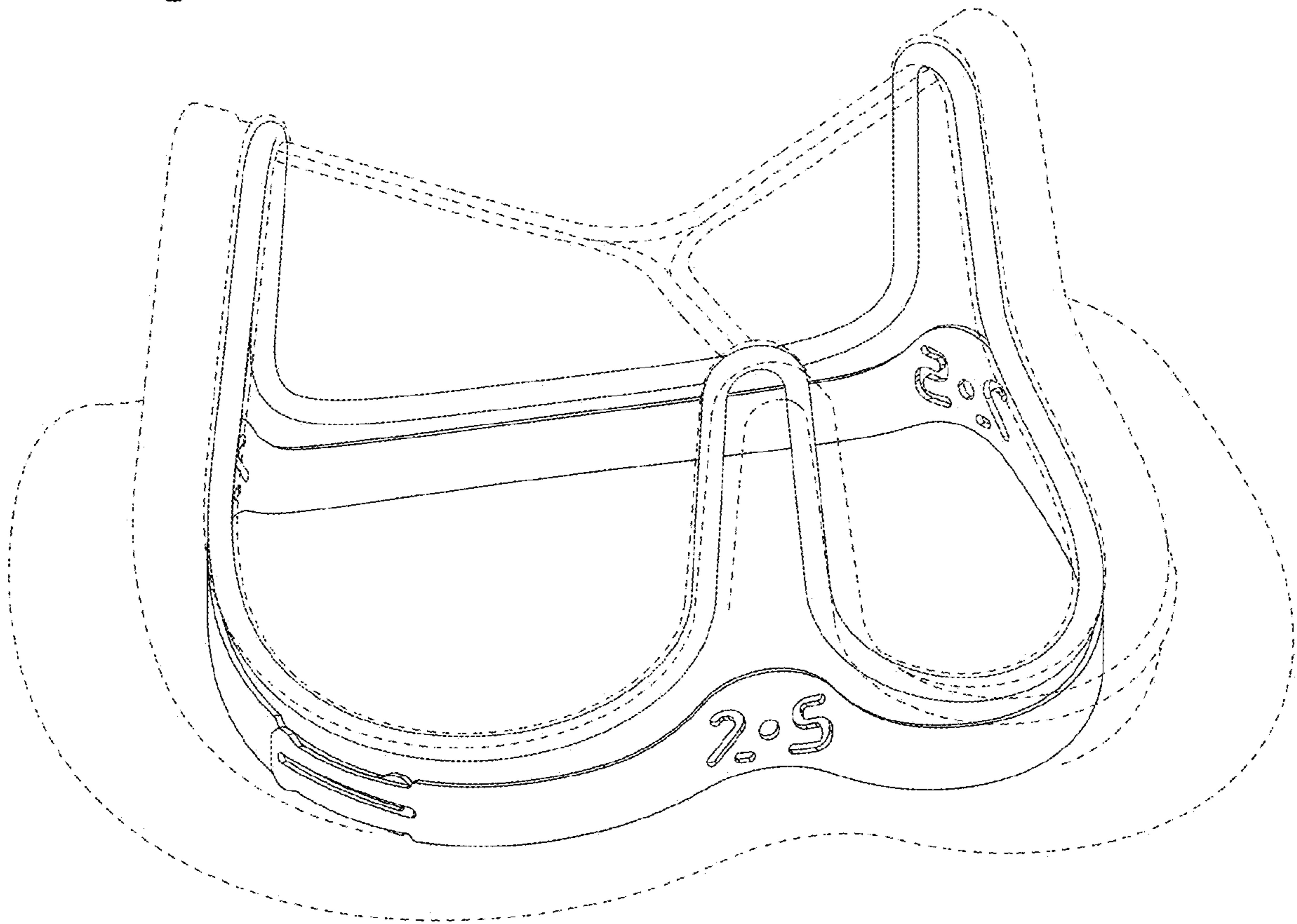


Fig. 65

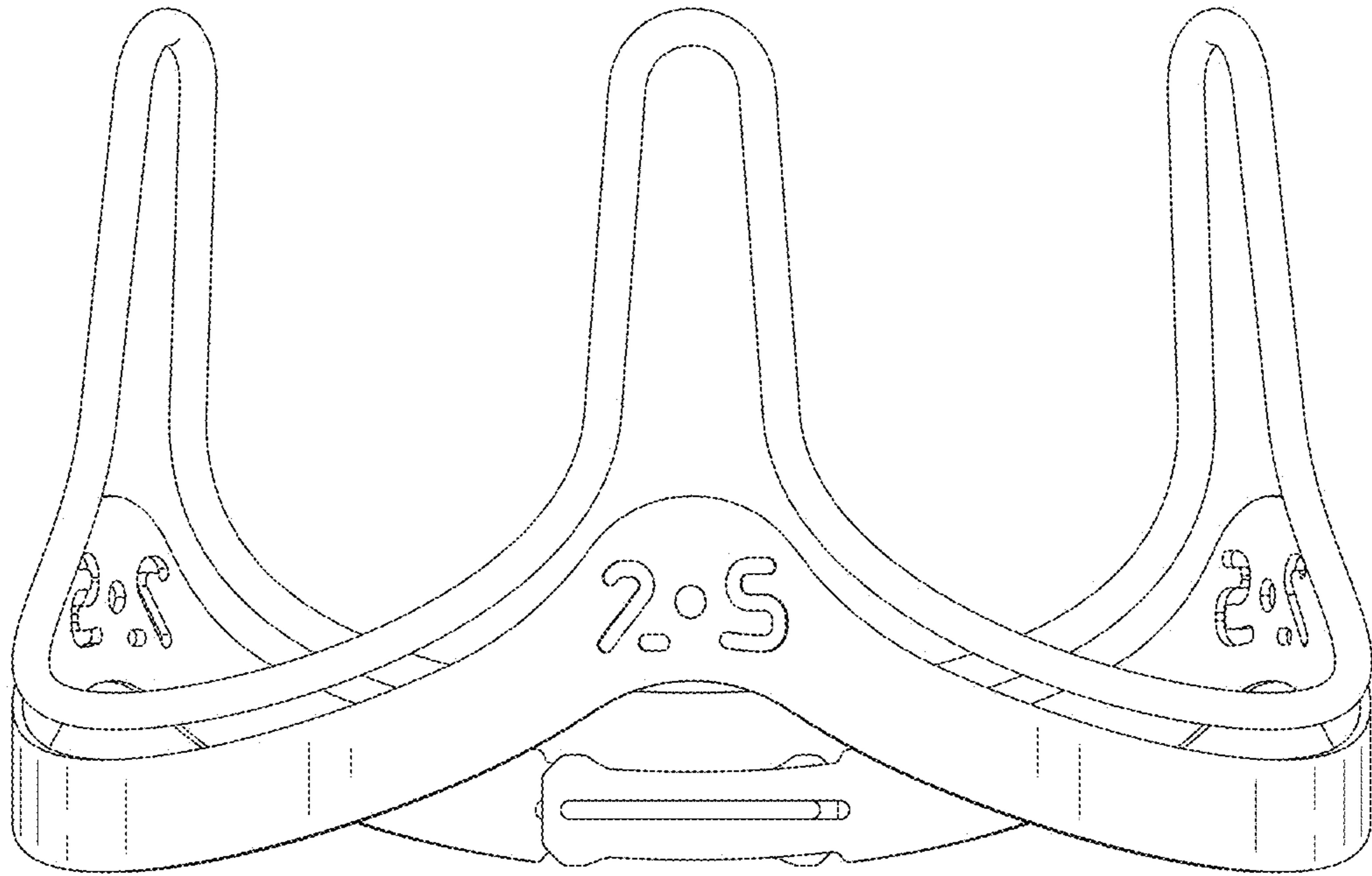


Fig. 66

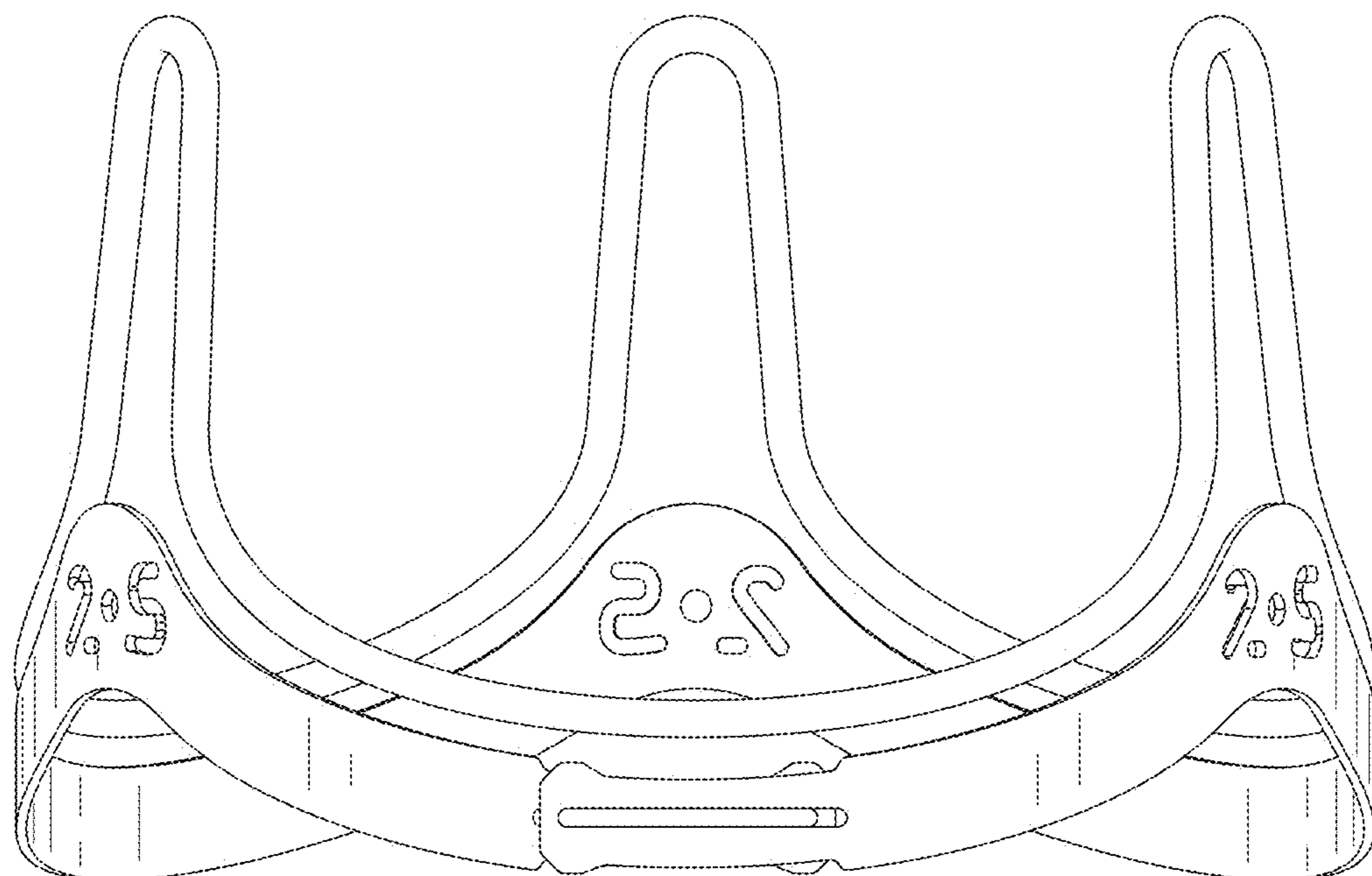


Fig. 67

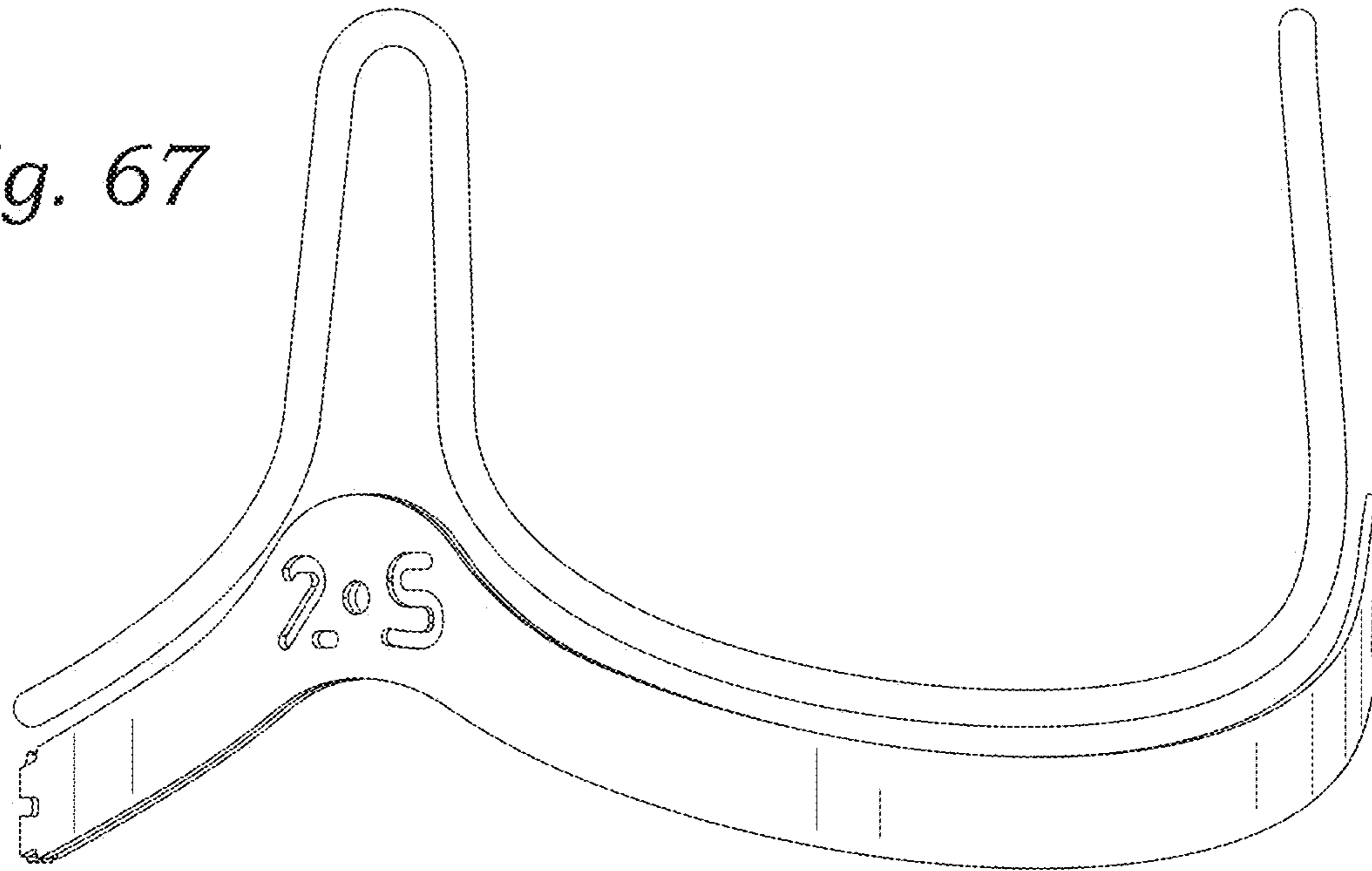


Fig. 68

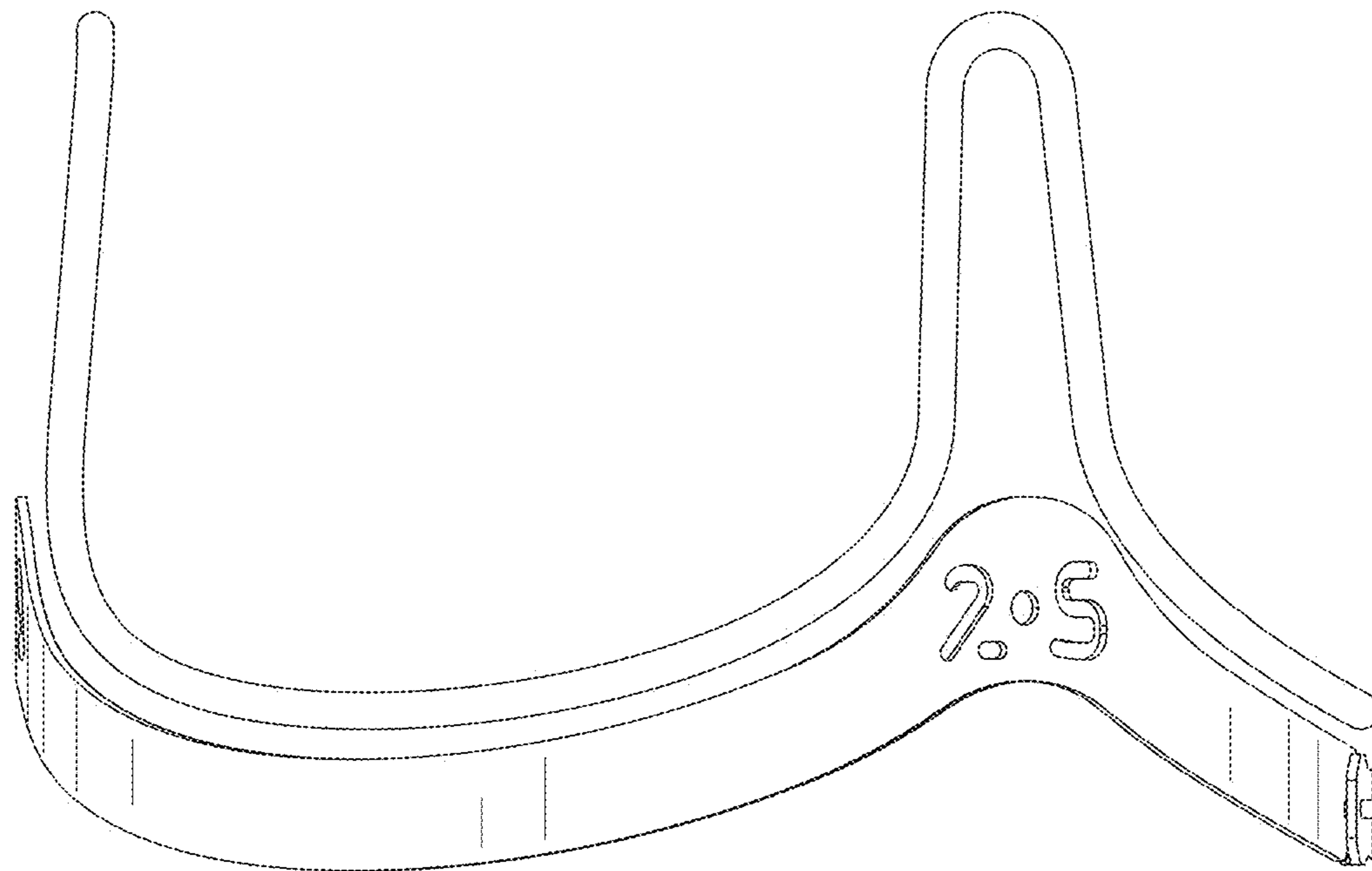


Fig. 69

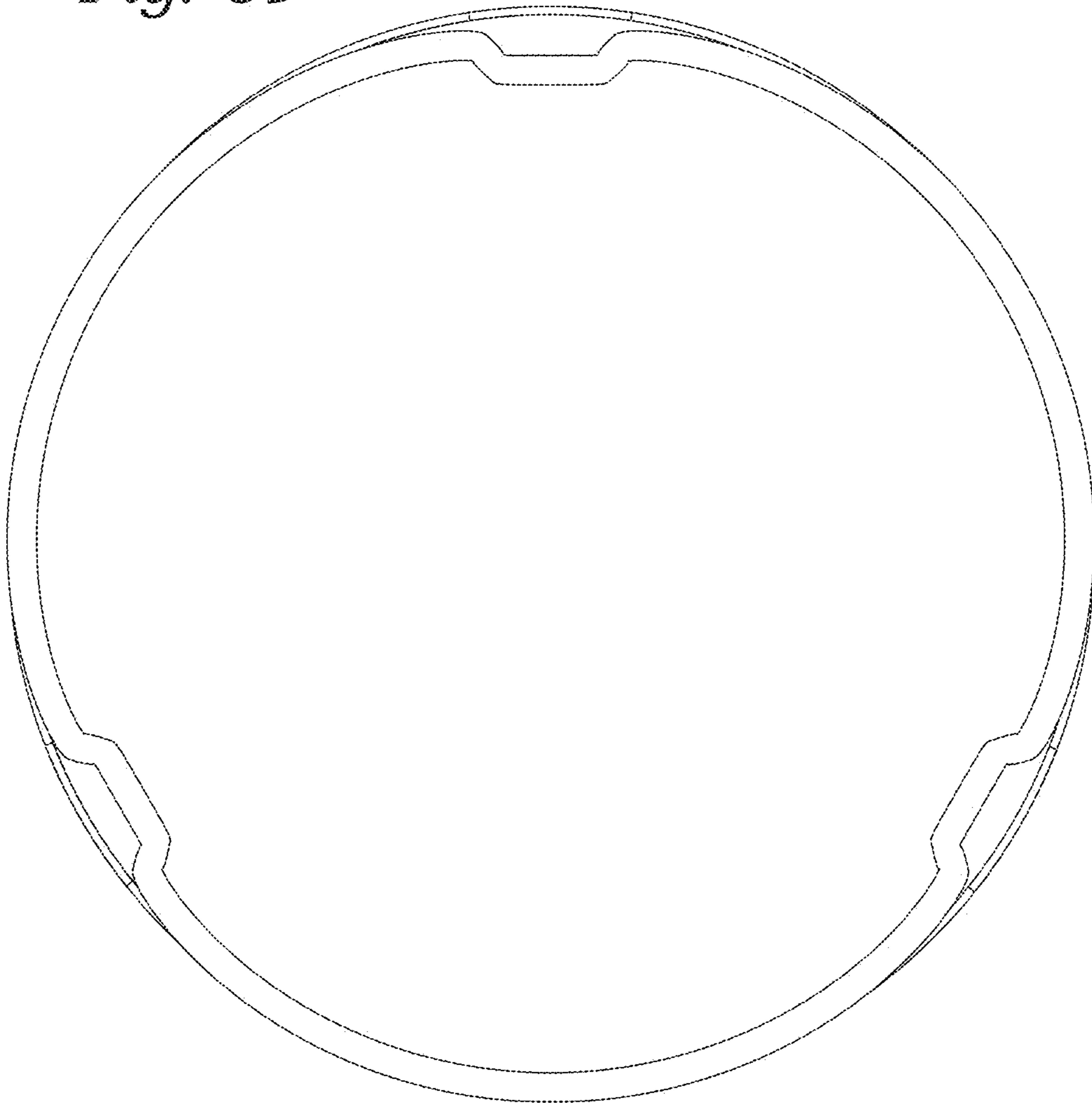


Fig. 70

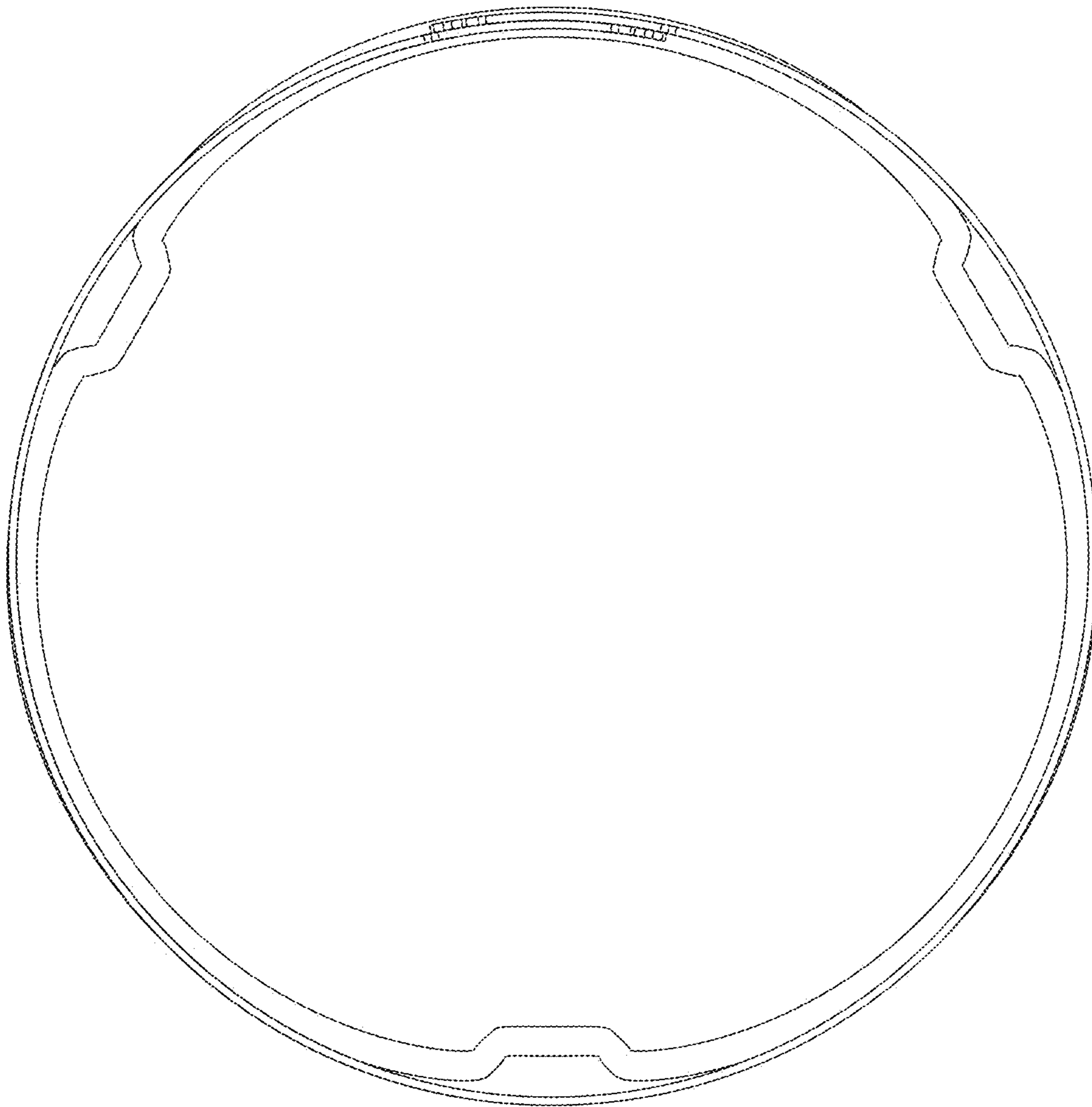


Fig. 71

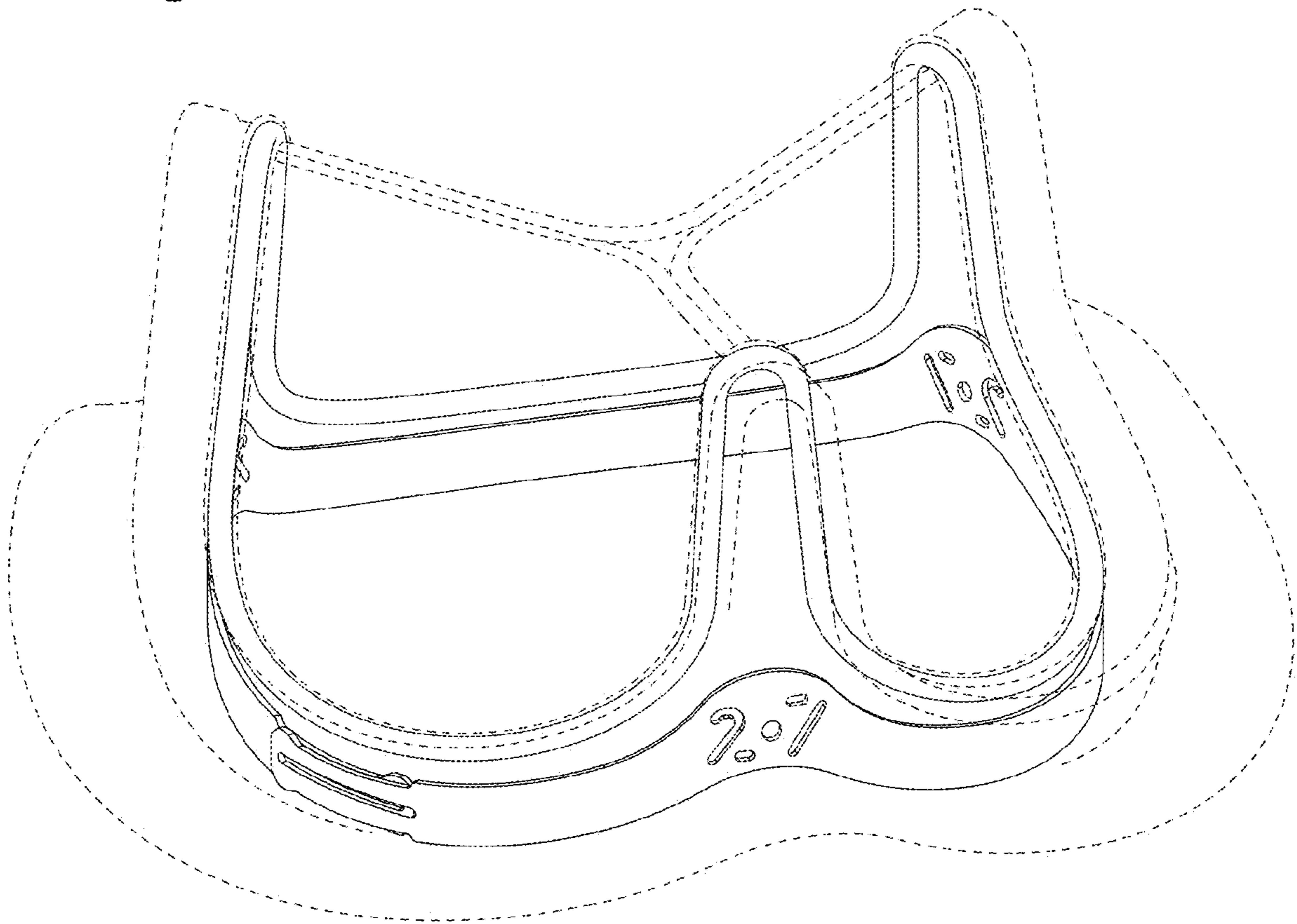


Fig. 72

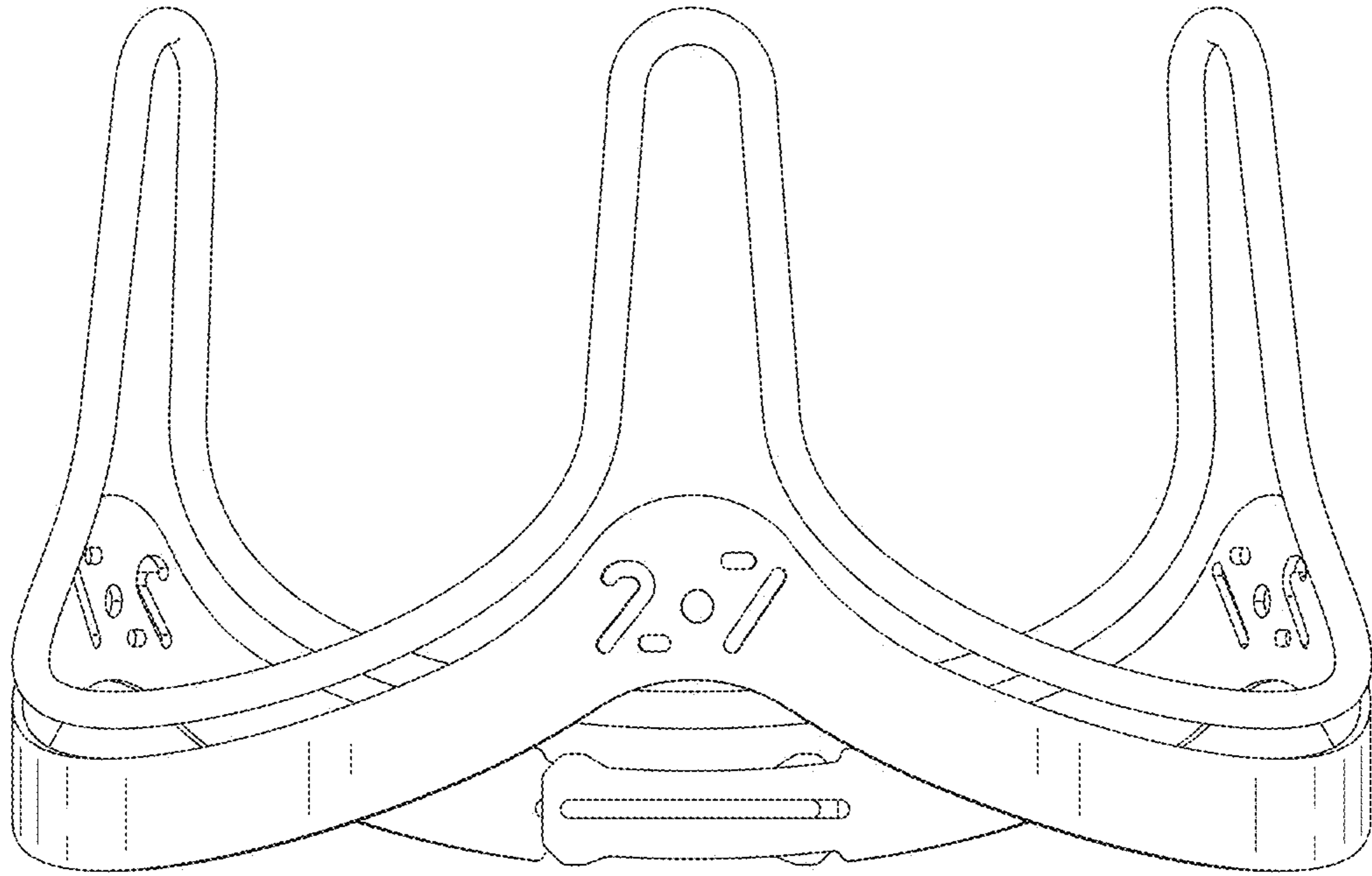


Fig. 73

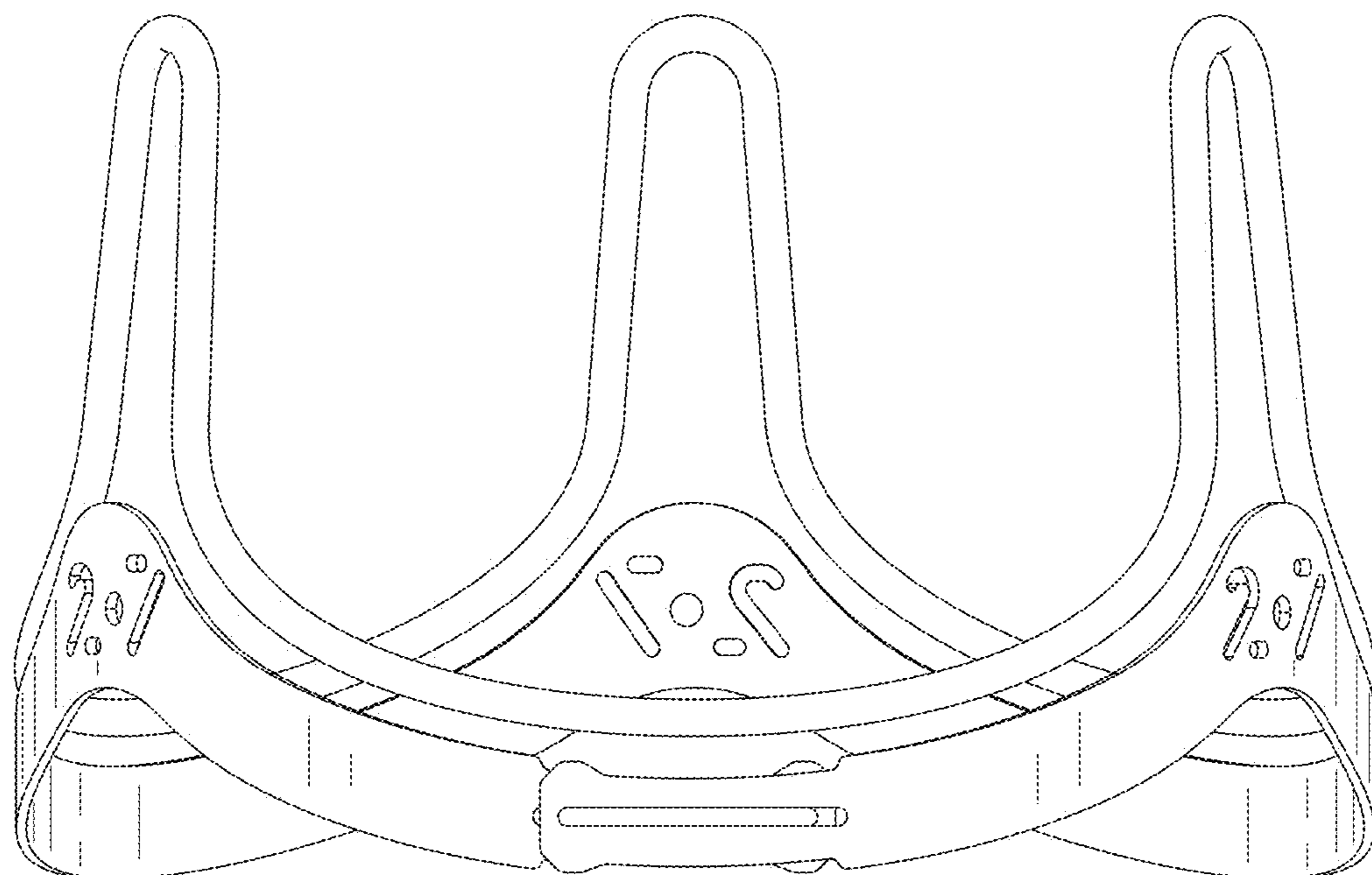


Fig. 74

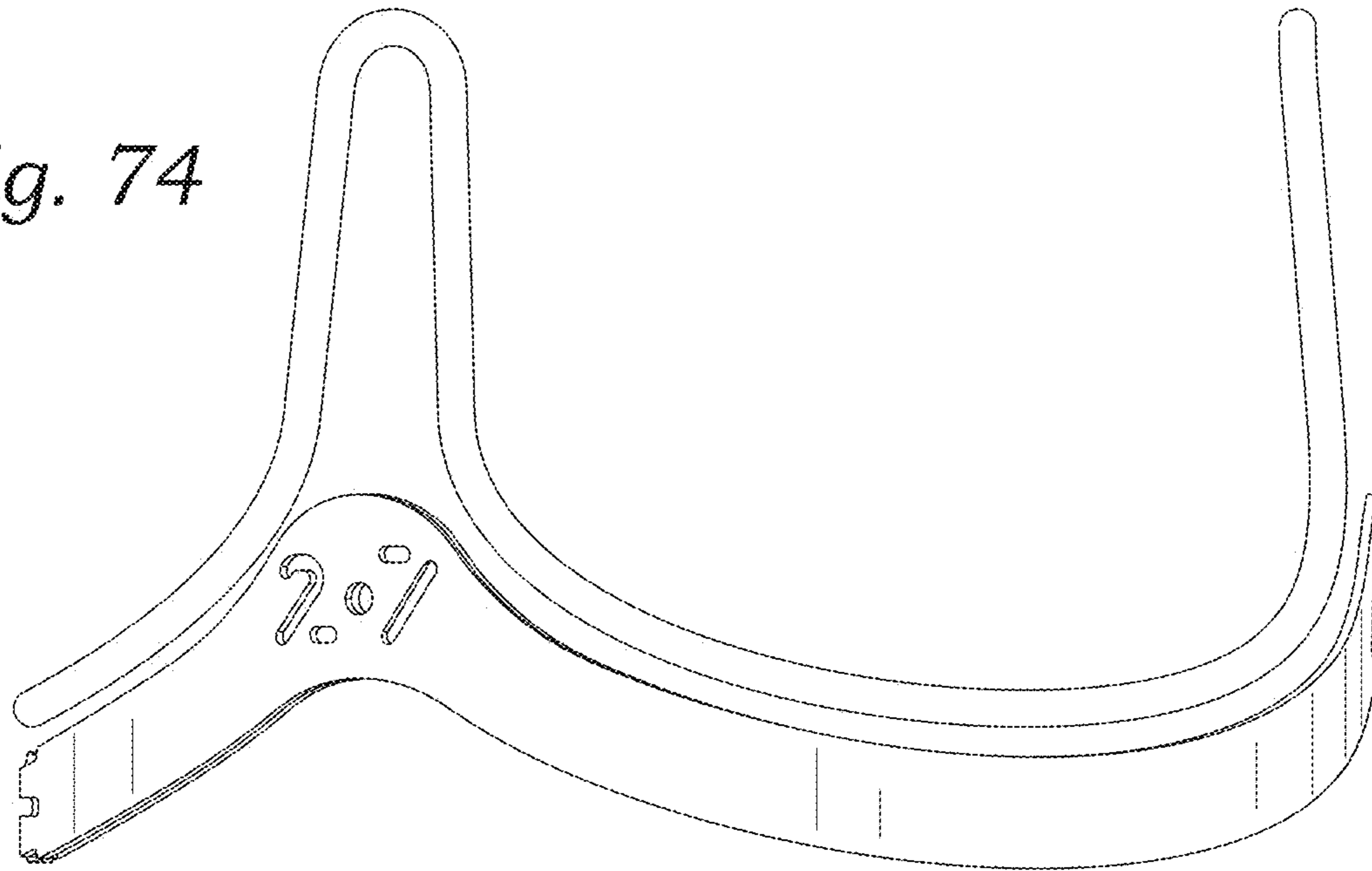


Fig. 75

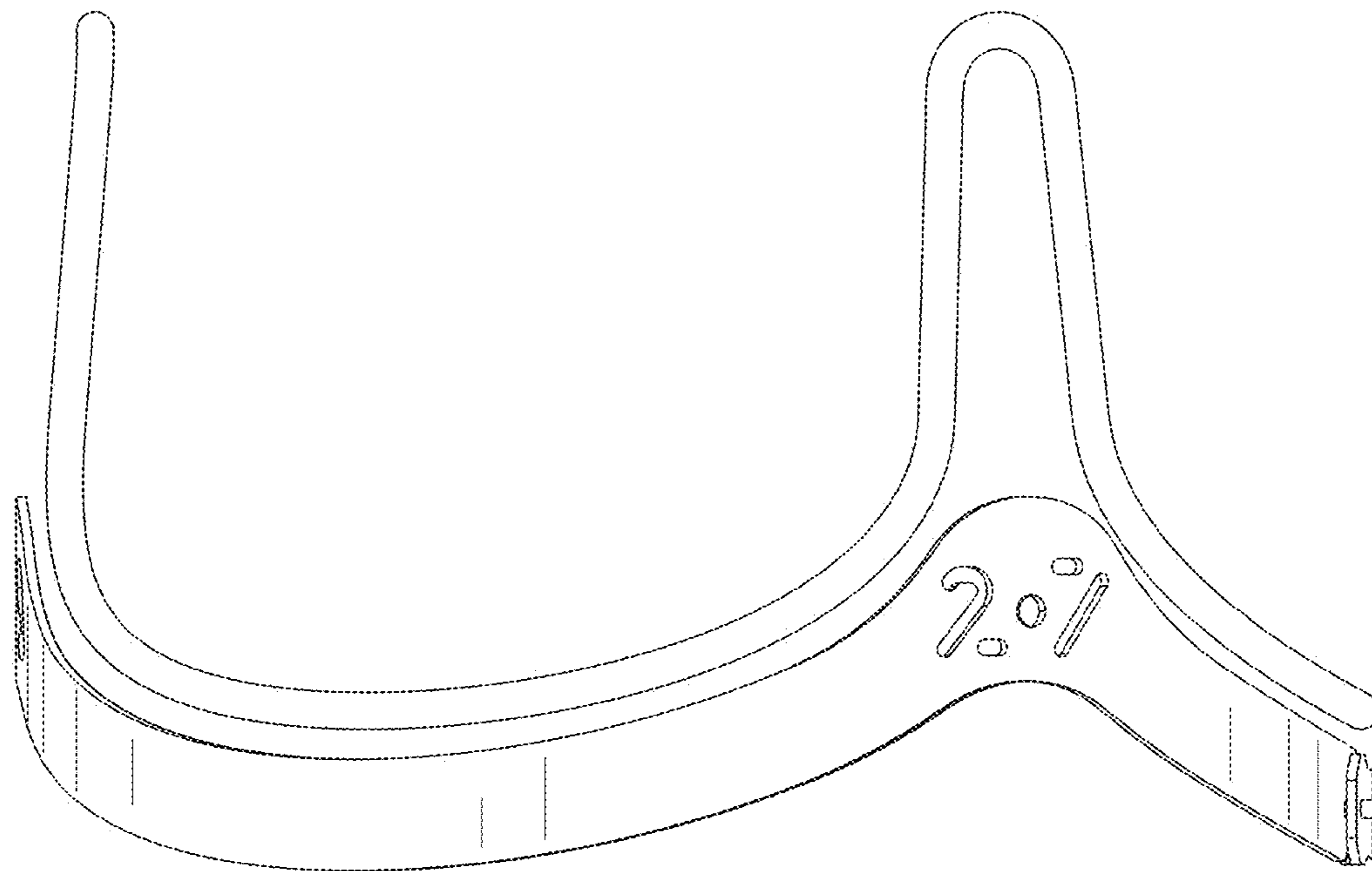


Fig. 76

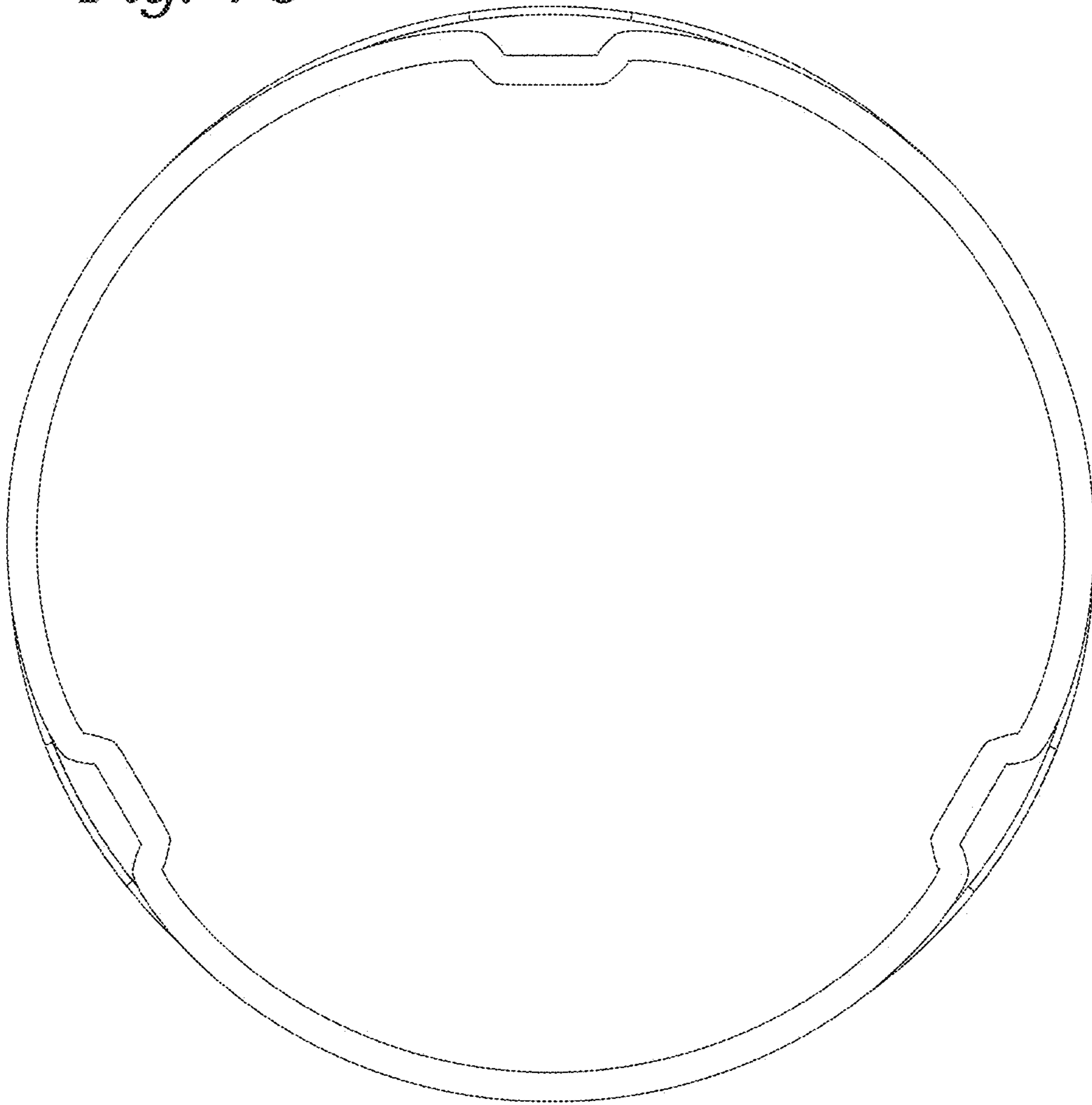


Fig. 77

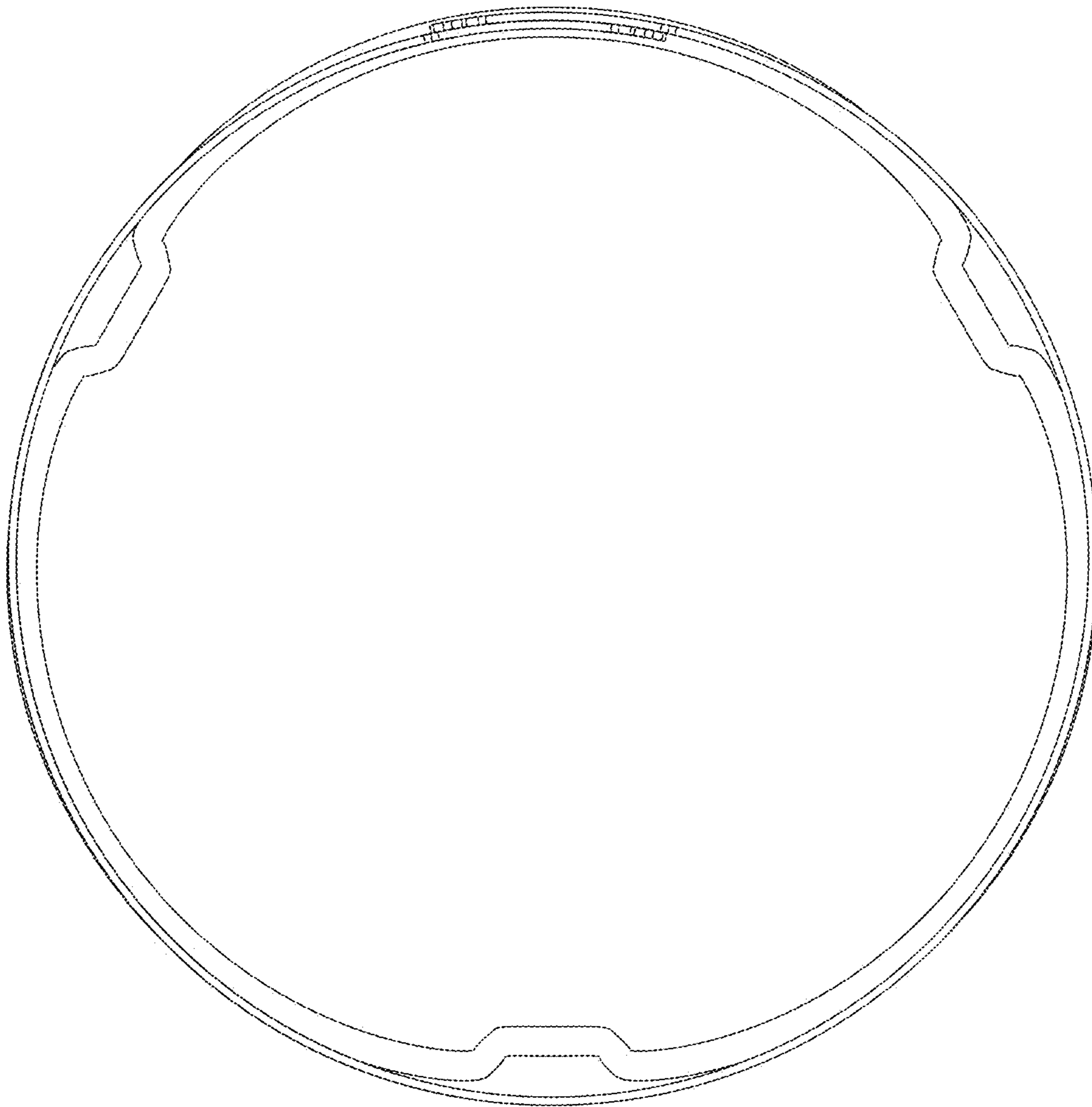


Fig. 78

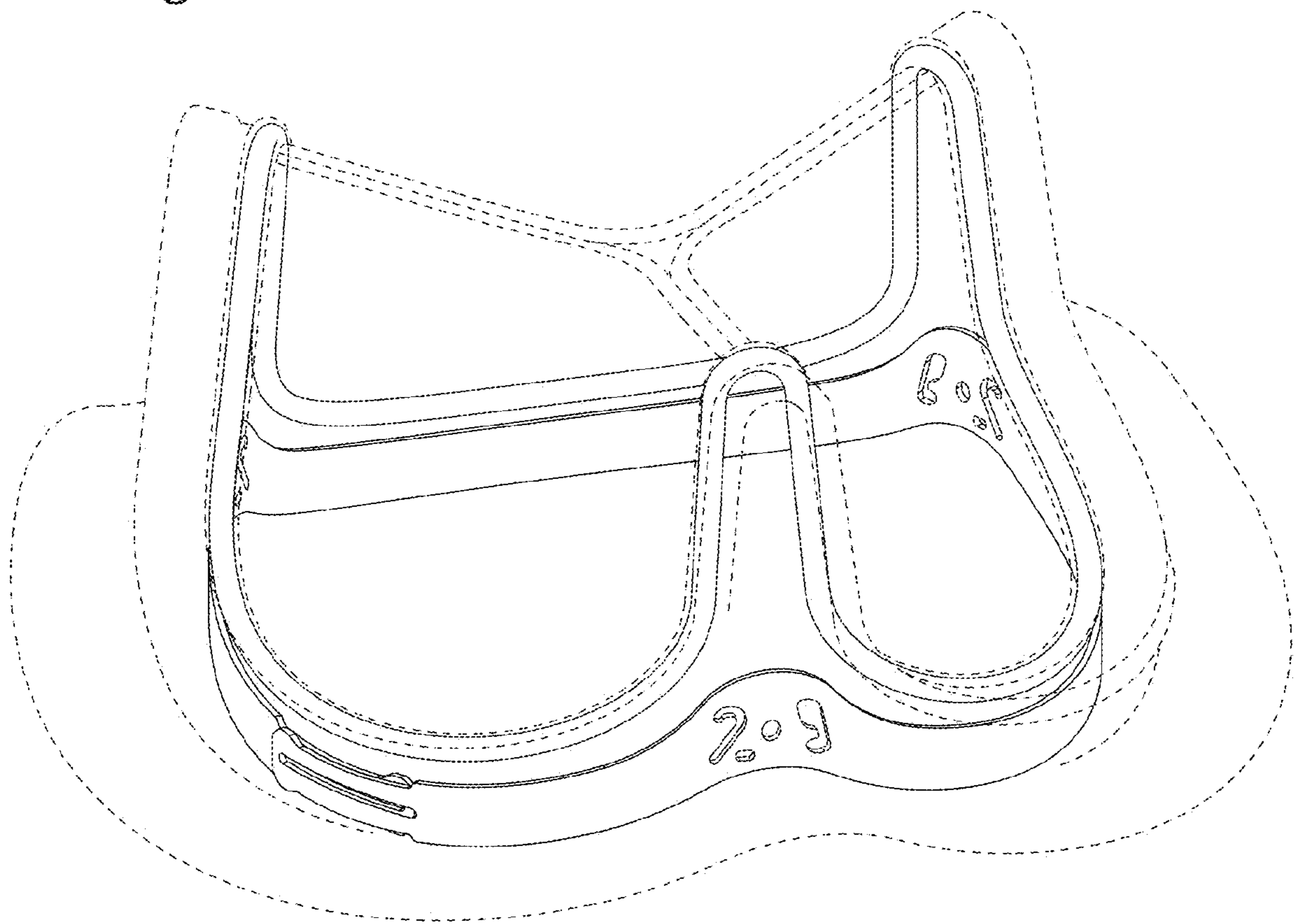


Fig. 79

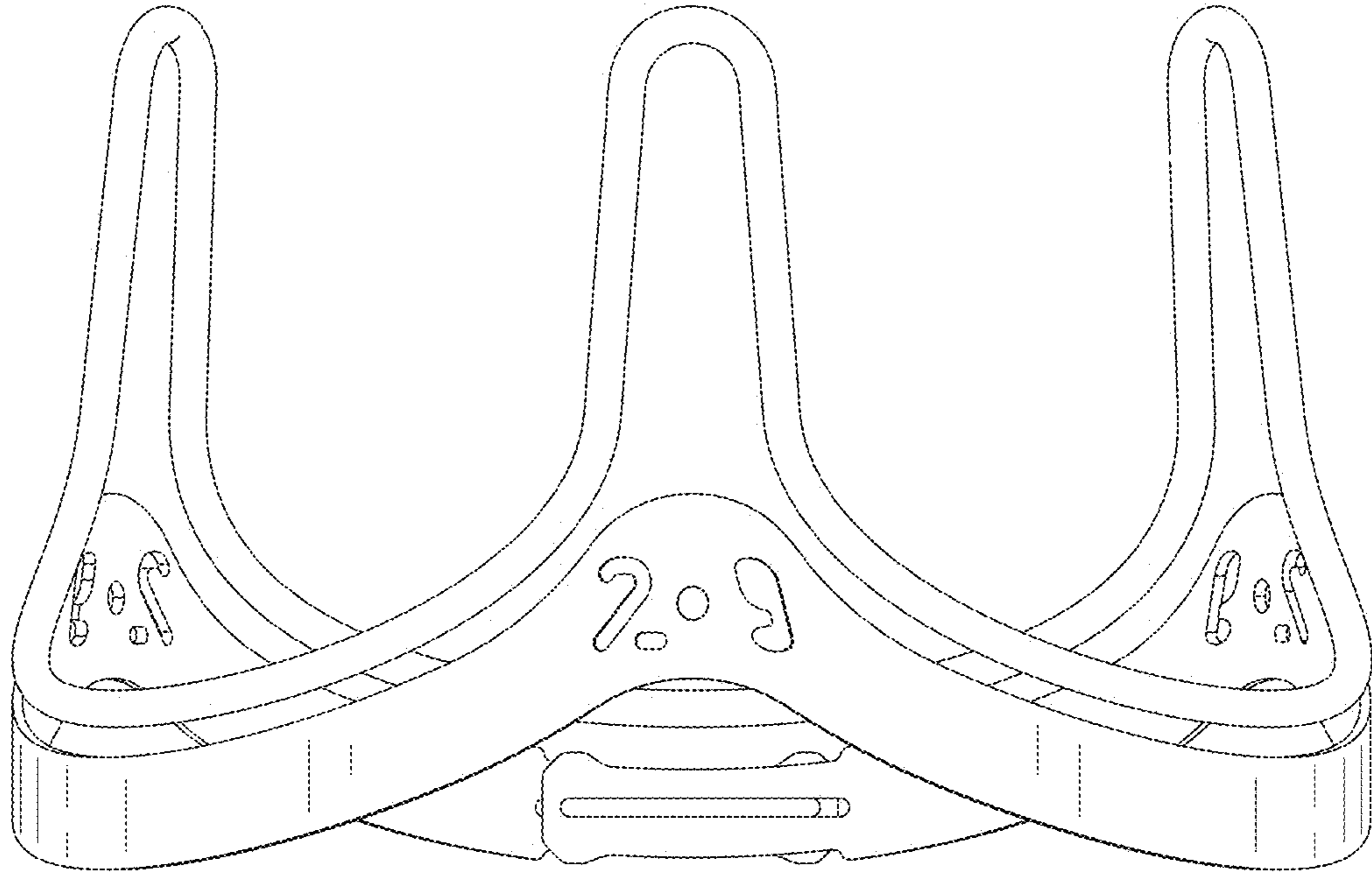


Fig. 80

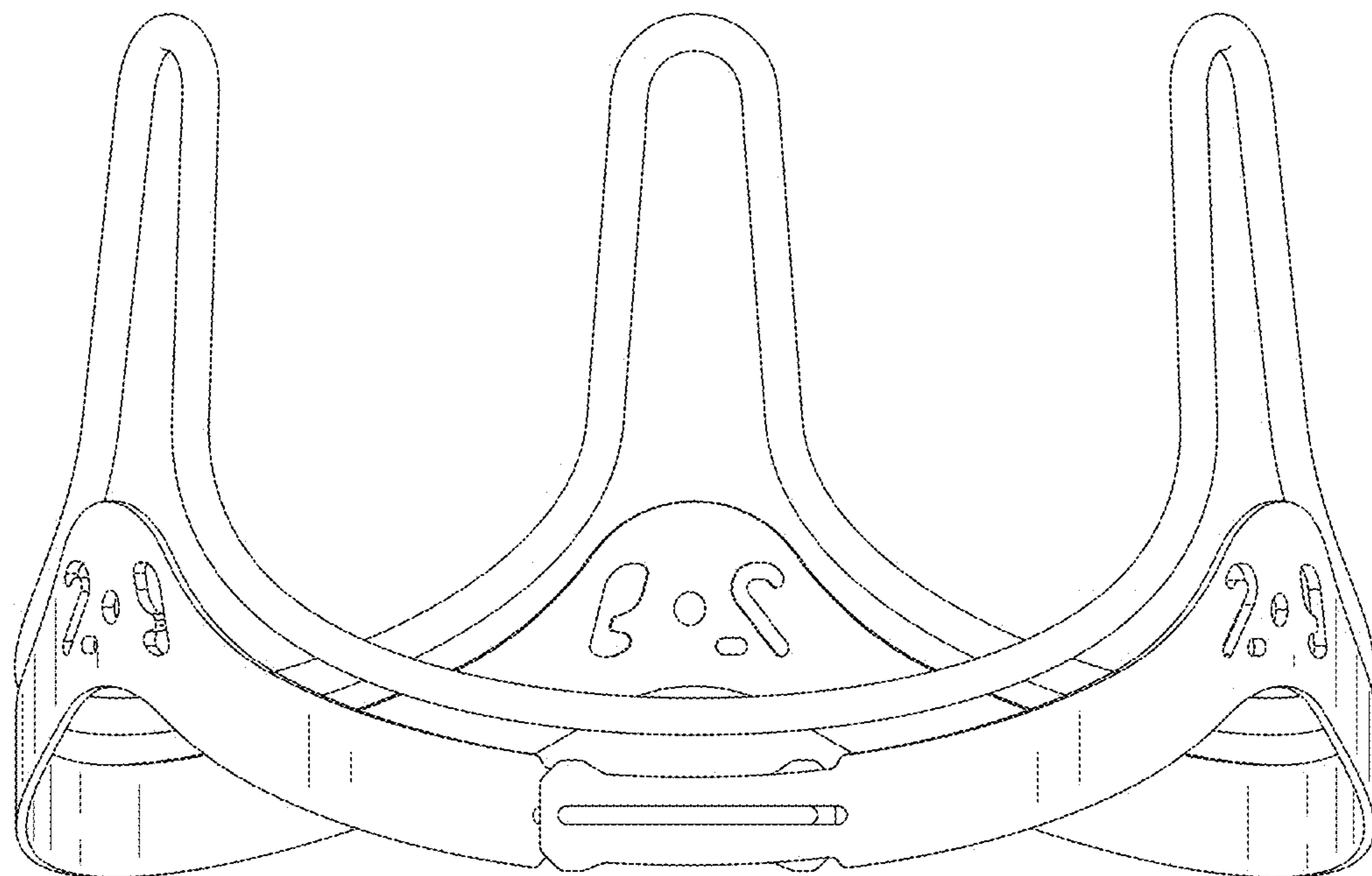


Fig. 81

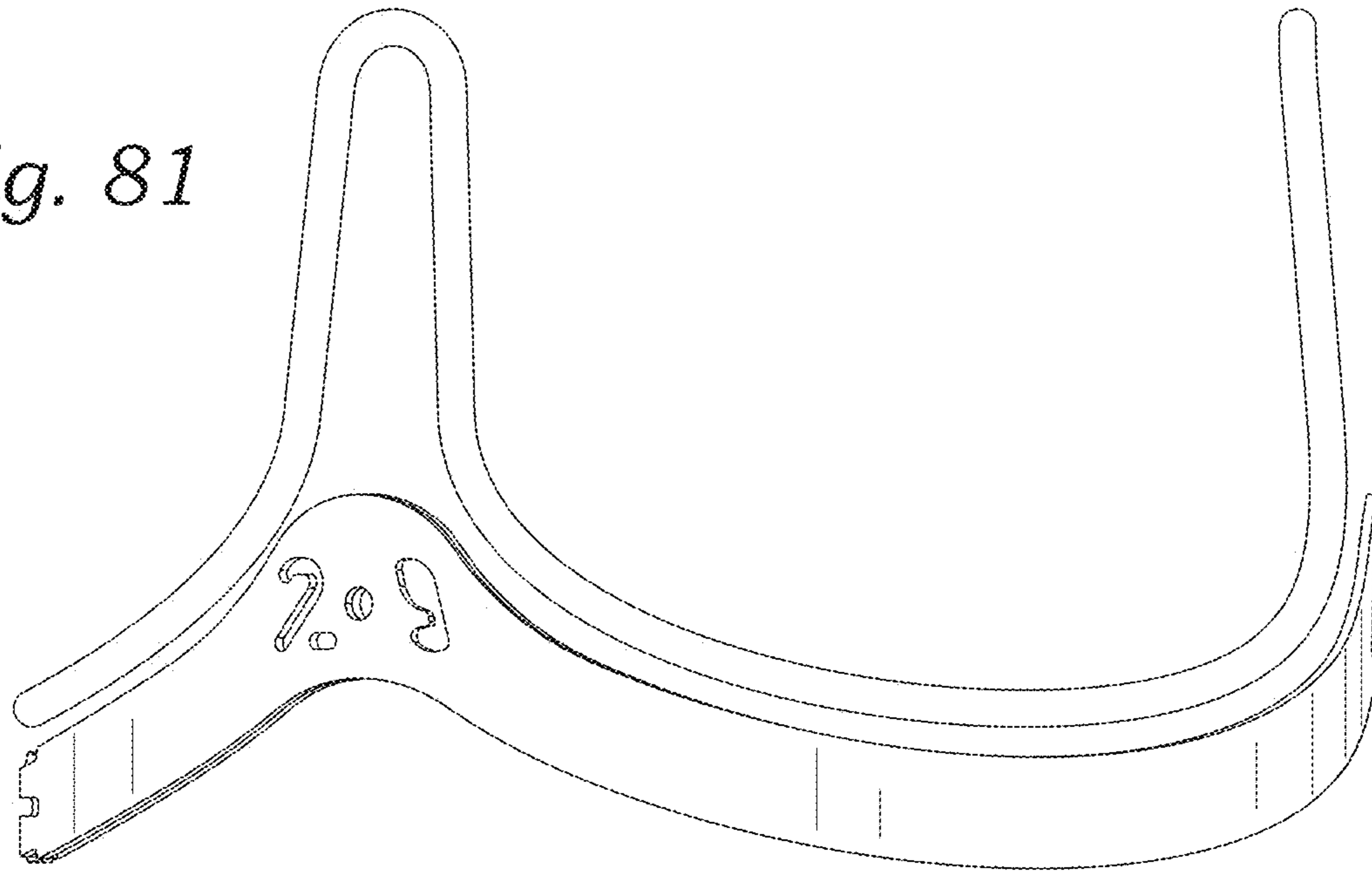


Fig. 82

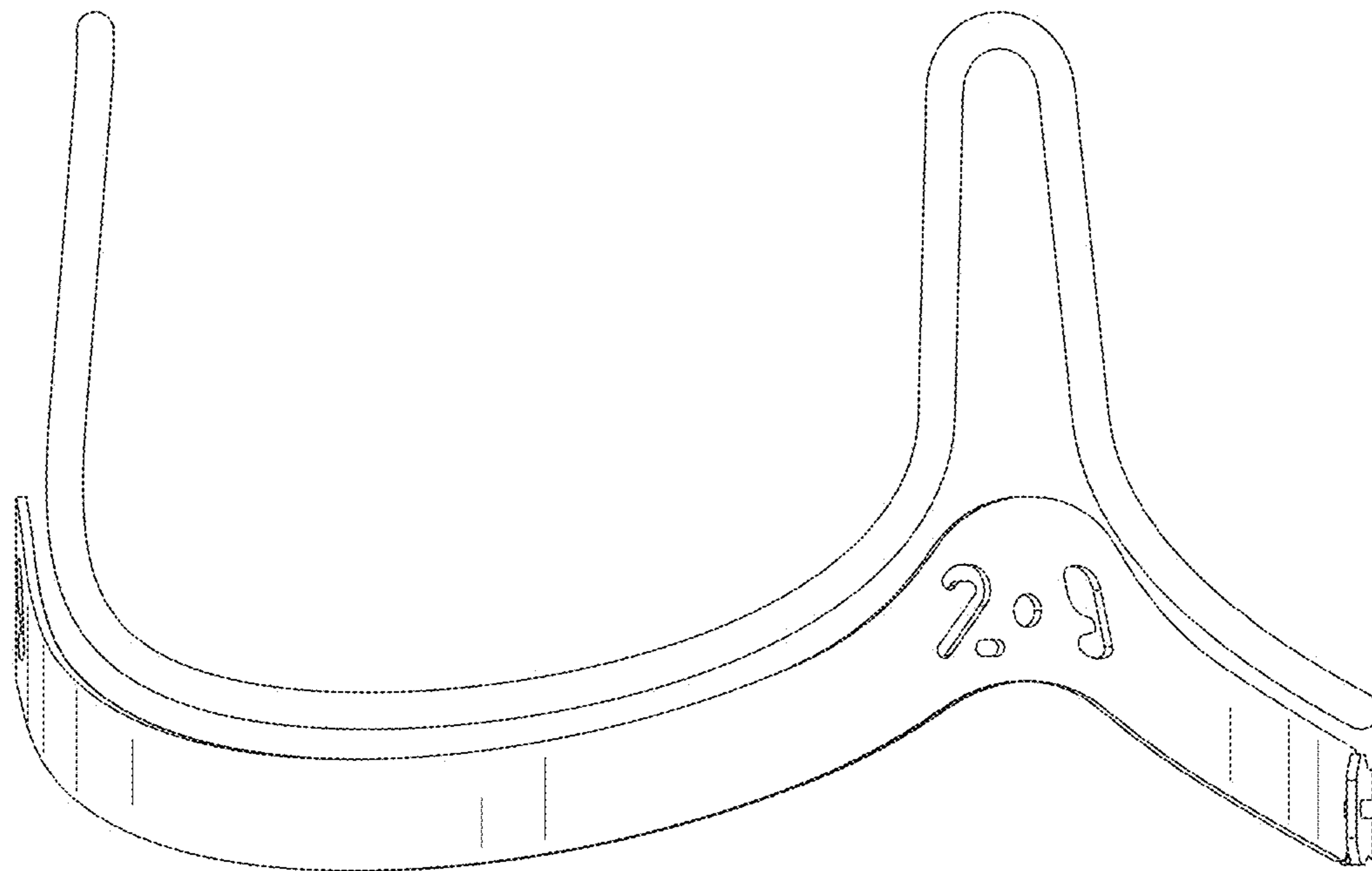


Fig. 83

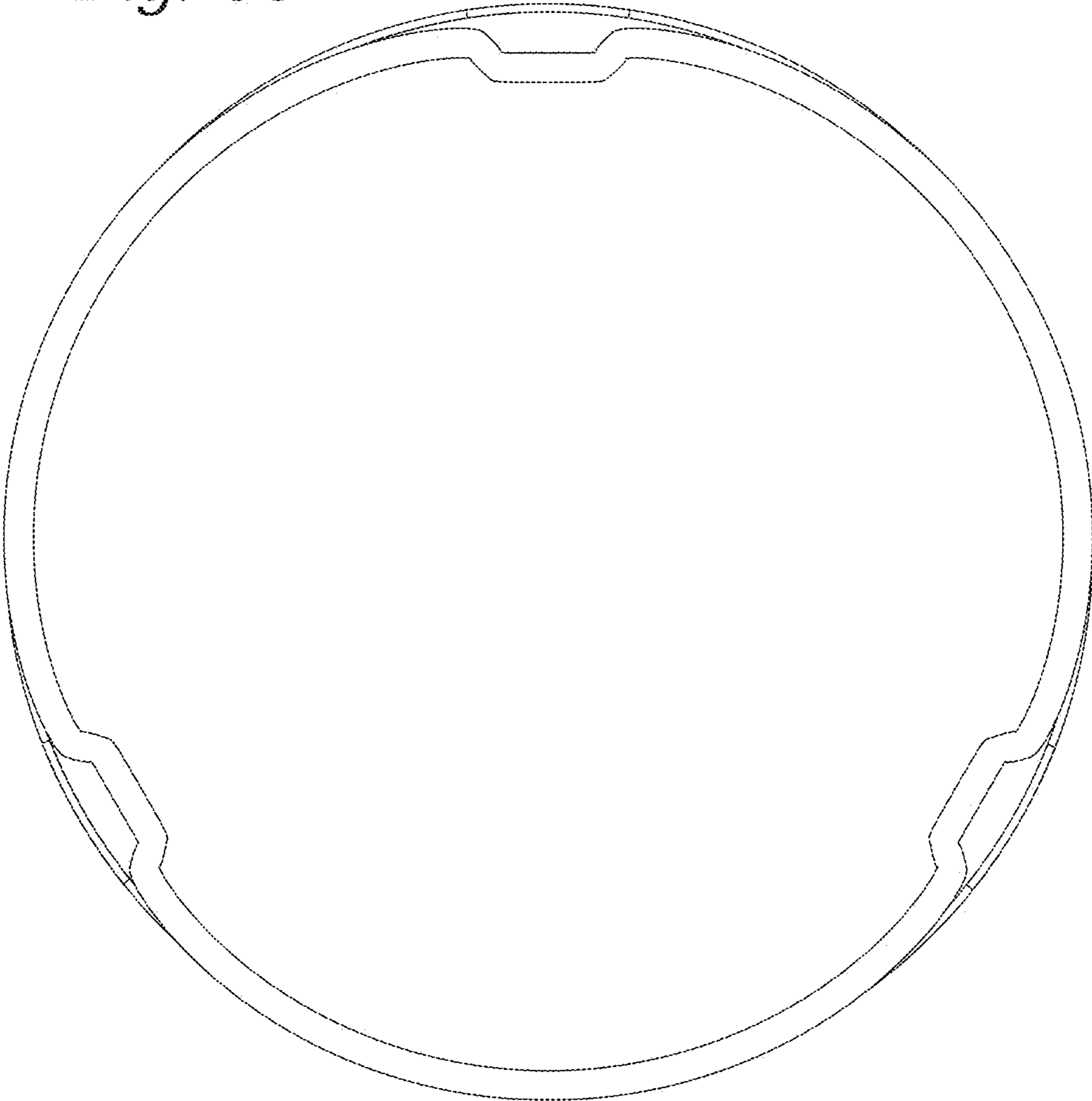


Fig. 84

