



US00D893030S

(12) **United States Design Patent** Helfenbaum (10) **Patent No.:** **US D893,030 S**  
(45) **Date of Patent:** **\*\* Aug. 11, 2020**

(54) **SKIN TOOL**  
(71) Applicant: **FAB Innovations Pty Ltd**, Glen Iris, Victoria (AU)  
(72) Inventor: **Barry Helfenbaum**, Glen Iris (AU)  
(73) Assignee: **FAB INNOVATIONS PTY LTD**, Glen Iris (AU)  
(\*\*) Term: **15 Years**  
(21) Appl. No.: **29/657,387**  
(22) Filed: **Jul. 20, 2018**  
(51) **LOC (12) Cl.** ..... **24-02**  
(52) **U.S. Cl.**  
USPC ..... **D24/146**  
(58) **Field of Classification Search**  
USPC ..... D24/110, 115, 116, 117, 118, 121, 127, D24/129, 146, 112, 113, 114, 133, 134, D24/135, 136, 155, 156, 189, 190, 191, D24/192, 147, 200, 211, 212, 213, 214, D24/215; D30/160; 601/15, 18, 19, 601/27-32, 46, 47, 48, 52, 99, 112, 113, 601/118, 125, 129, 134, 135, 137; 606/48, 131, 132, 133, 134, 289; D28/58, 59, 62  
CPC ..... A61B 2017/00734; A61B 2017/320012; A61B 17/32; A61B 2017/00761; A61B 2017/320004; A61B 2017/00424; D61B 2017/00747; A46B 2200/102; A61H 7/003  
See application file for complete search history.

D667,105 S \* 9/2012 Zuyderhoudt ..... D24/110  
D670,374 S \* 11/2012 Bobjer ..... D24/110  
D671,207 S \* 11/2012 Bobjer ..... D24/110  
D710,002 S \* 7/2014 Valentine ..... D24/110  
D711,528 S \* 8/2014 Grunstad ..... D24/110  
D723,156 S \* 2/2015 Djupesland ..... D24/110  
D752,807 S \* 3/2016 Young ..... D23/362  
D767,114 S \* 9/2016 White ..... D24/110  
D769,439 S \* 10/2016 White ..... D24/110  
D773,064 S \* 11/2016 Sedic ..... D24/214  
D795,414 S \* 8/2017 Soni ..... D24/110  
D797,920 S \* 9/2017 Lamba ..... D24/110  
D806,858 S \* 1/2018 Lu ..... D24/110  
D831,211 S \* 10/2018 Choi ..... D24/146  
D852,972 S \* 7/2019 Sedic ..... D24/214

(Continued)

**OTHER PUBLICATIONS**

Exfolimate, "Exfolimate and Exfolimate iSonic for Skincare", <https://www.exfolimate.com/>, 2013, visited Aug. 23, 2018, 2 pages.

(Continued)

*Primary Examiner* — Samantha Q Lawrence  
(74) *Attorney, Agent, or Firm* — Stoel Rives LLP

(57) **CLAIM**

The ornamental design for a skin tool, as shown and described.

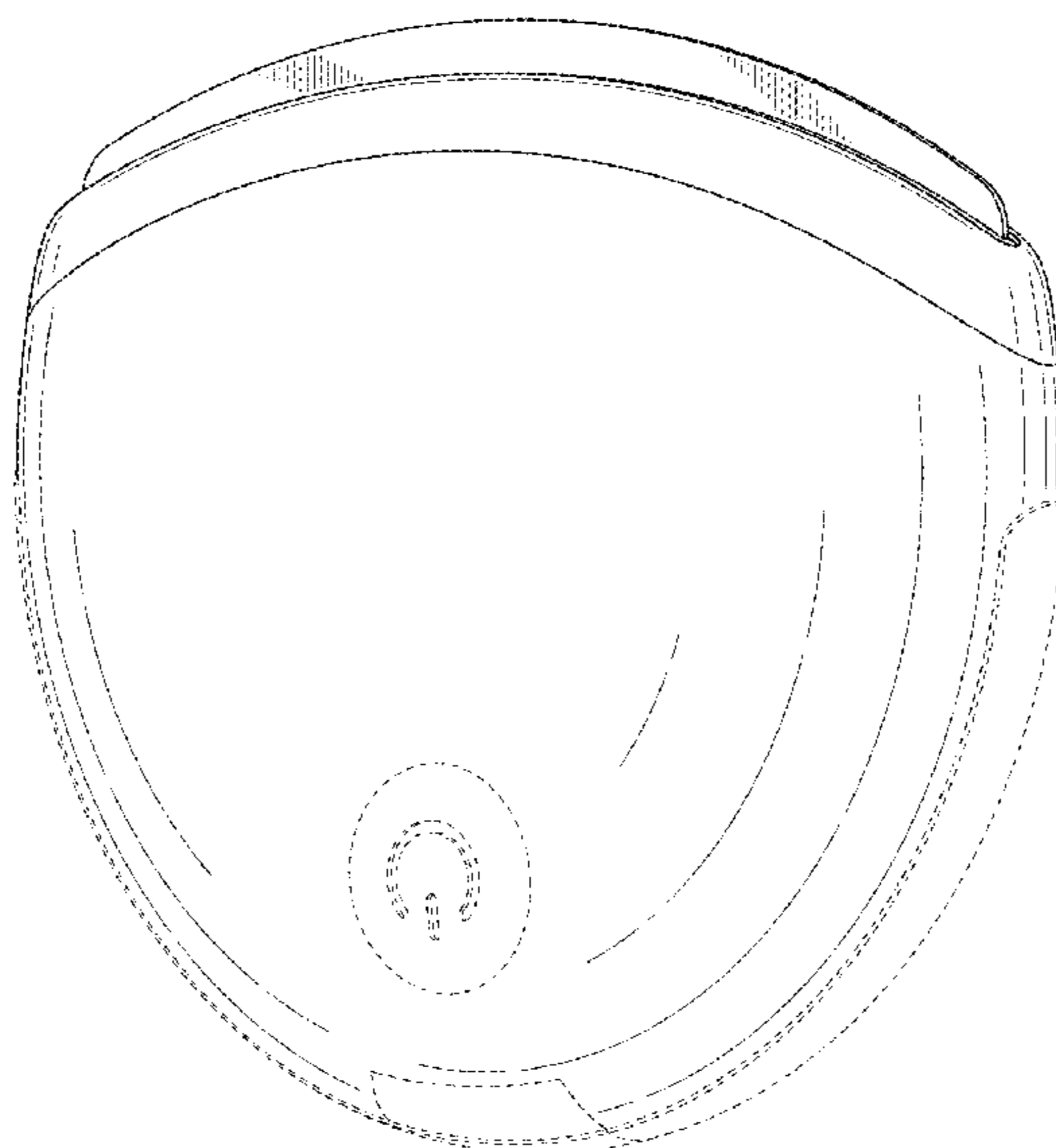
**DESCRIPTION**

FIG. 1 is a front isometric view of a skin tool showing the new design;  
FIG. 2 is a front side elevation view thereof;  
FIG. 3 is a rear side elevation view thereof;  
FIG. 4 is a left side elevation view thereof;  
FIG. 5 is a right side elevation view thereof;  
FIG. 6 is a top plan view thereof; and,  
FIG. 7 is a bottom plan view thereof.  
The broken lines illustrate portions of the skin tool that form no part of the claimed design.

**1 Claim, 5 Drawing Sheets**

(56) **References Cited**  
U.S. PATENT DOCUMENTS

D456,074 S \* 4/2002 McCurry ..... D24/110  
D468,011 S \* 12/2002 Lithgow ..... D24/110  
D576,724 S \* 9/2008 Jensen ..... D24/110  
D586,917 S 2/2009 Durso



(56)

**References Cited**

U.S. PATENT DOCUMENTS

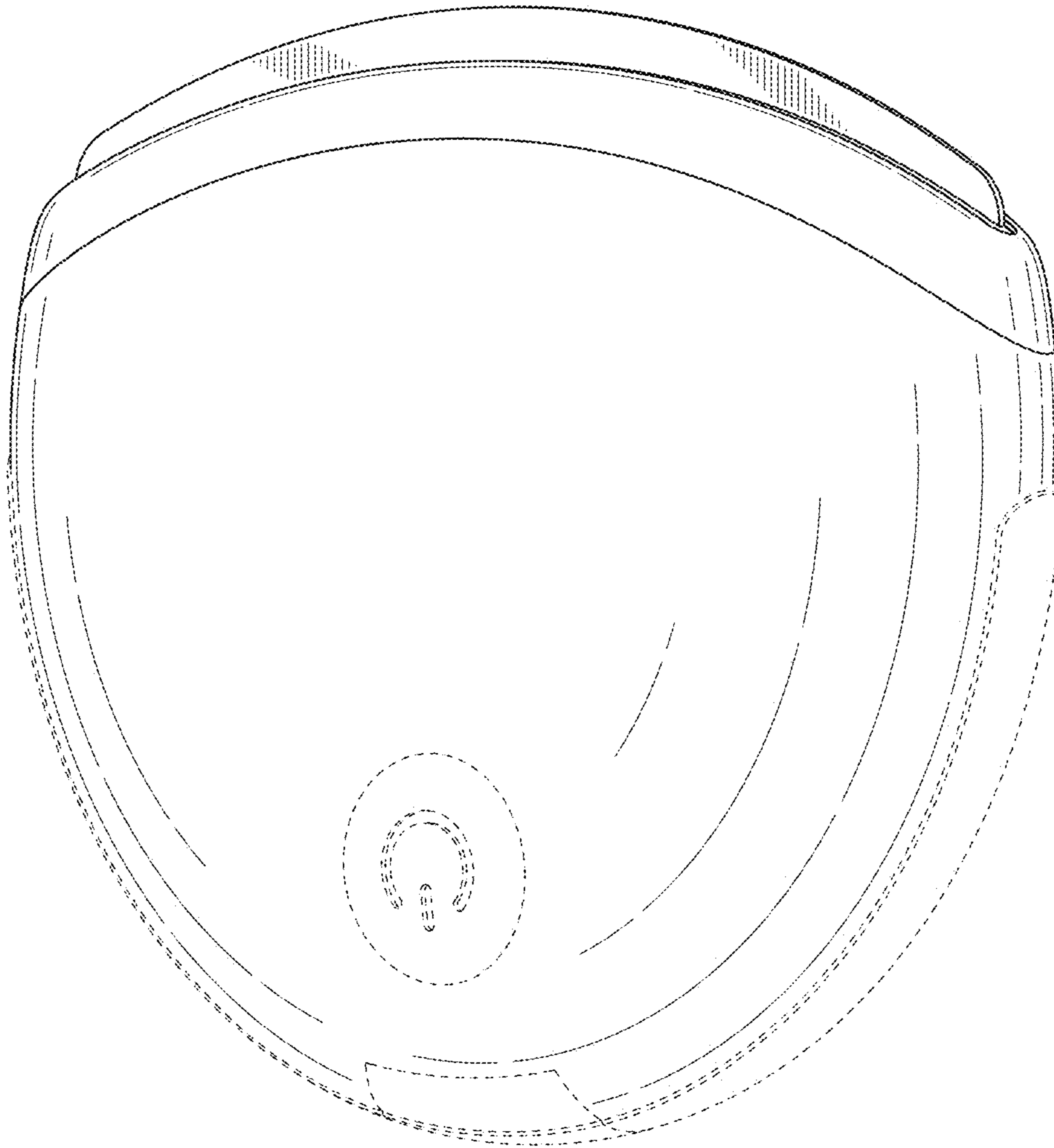
D855,193 S \* 7/2019 Levi ..... D24/200  
D857,221 S \* 8/2019 Sedic ..... D24/215  
D857,299 S \* 8/2019 Tammabattula ..... D28/63  
2002/0087167 A1 7/2002 Winitsky  
2002/0087168 A1 7/2002 Winitsky  
2009/0177210 A1 7/2009 Durso

OTHER PUBLICATIONS

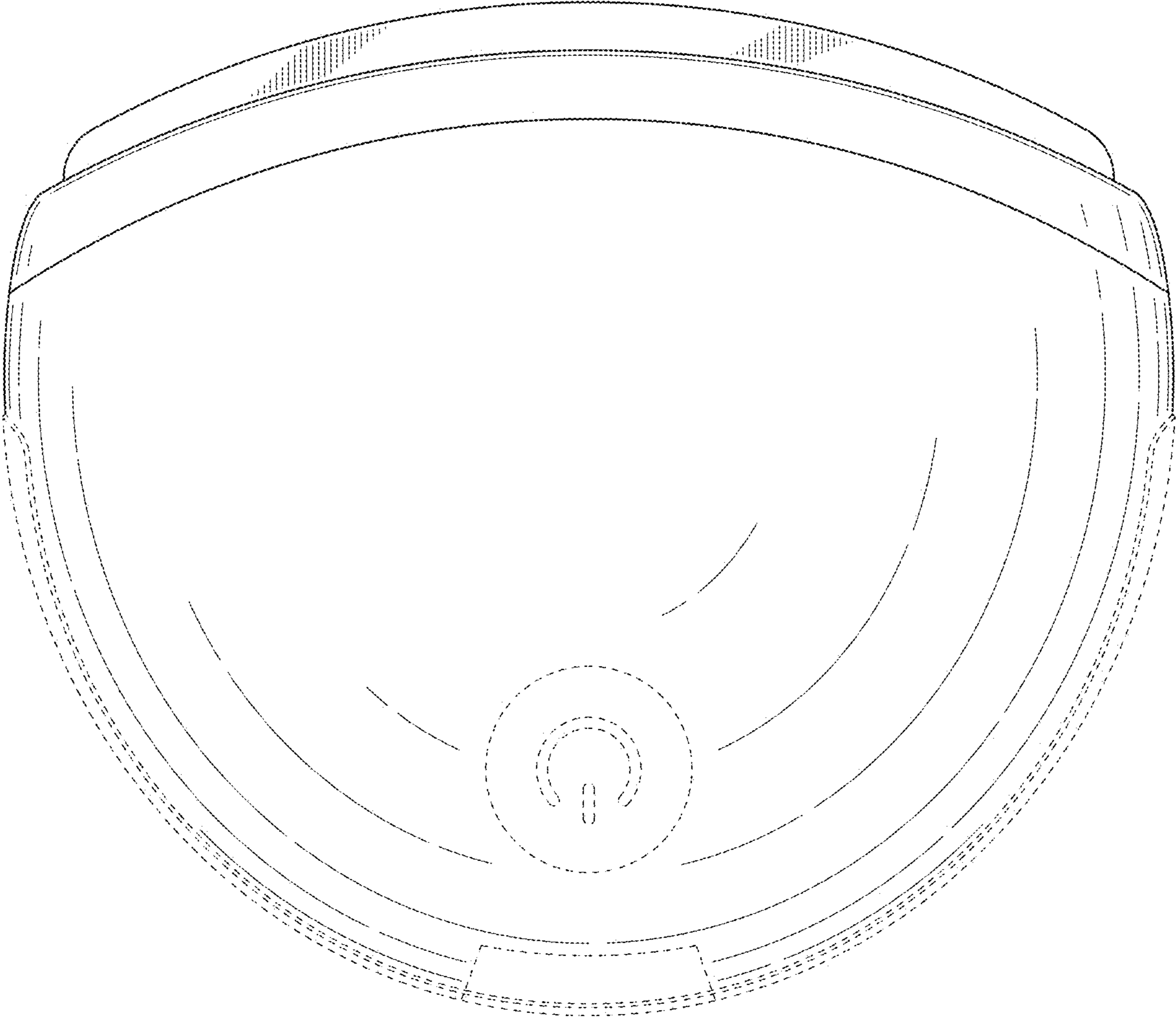
“Le Edge Full Body Exfoliator—Blue”, <https://www.amazon.com/edge-full=body-exfoliator-blue/dp/b00565d6xw>, visited Aug. 23, 2018, 7 pages.

“Exfol Away Exfoliator ideal for Face & Edges (Small)”, <https://www.amazon.com/exfol-exfoliator-ideal-edges-small/dp/B01F2NPWLG/?th=1>, visited Aug. 23, 2018, 7 pages.

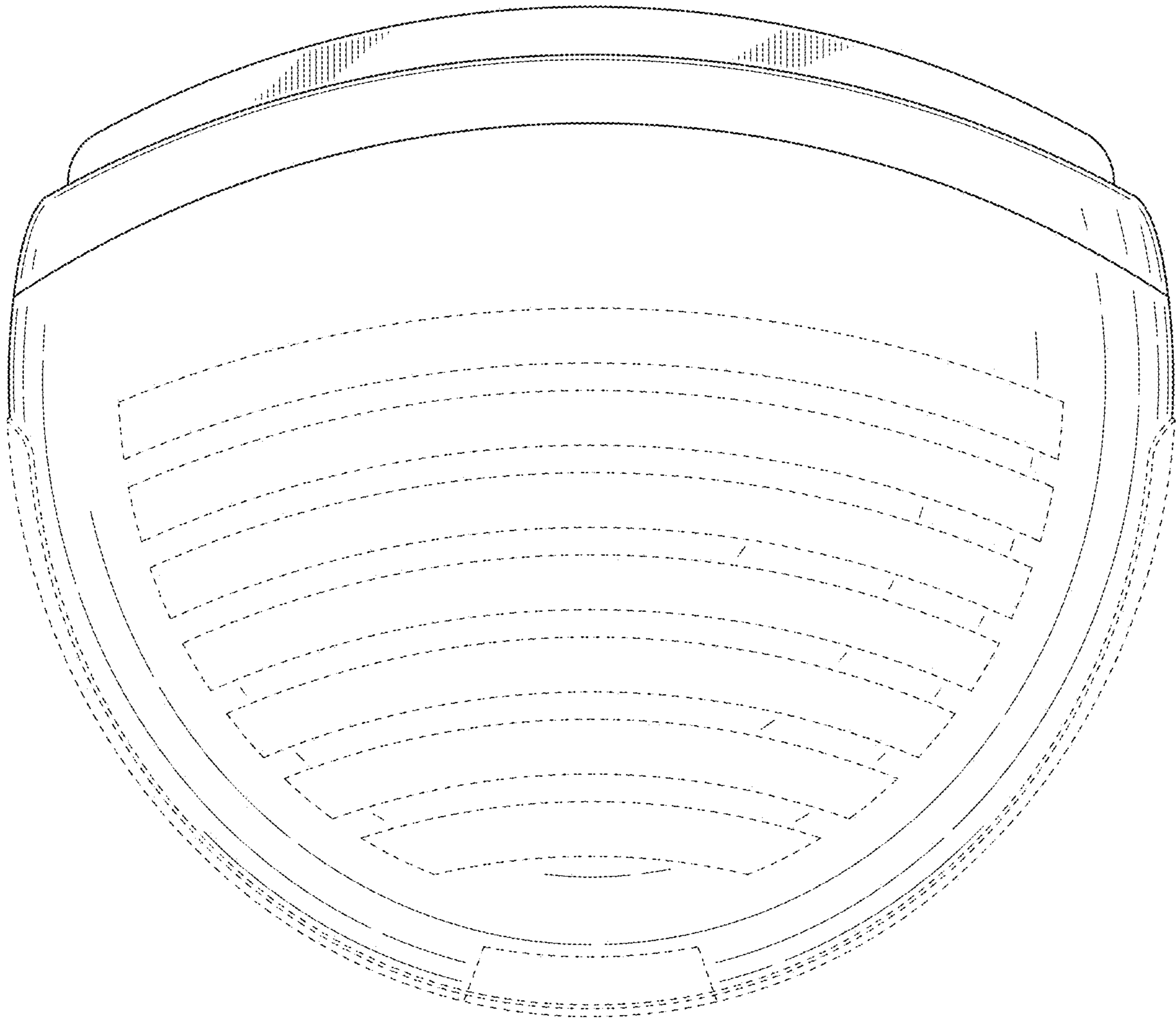
\* cited by examiner



*FIG. 1*

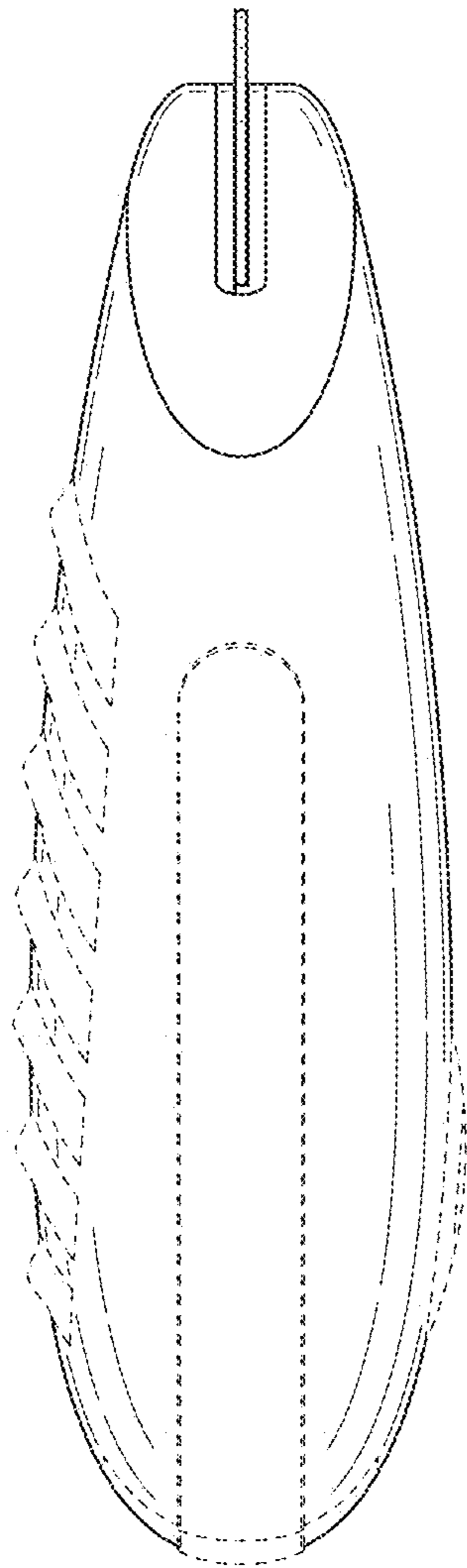


*FIG. 2*

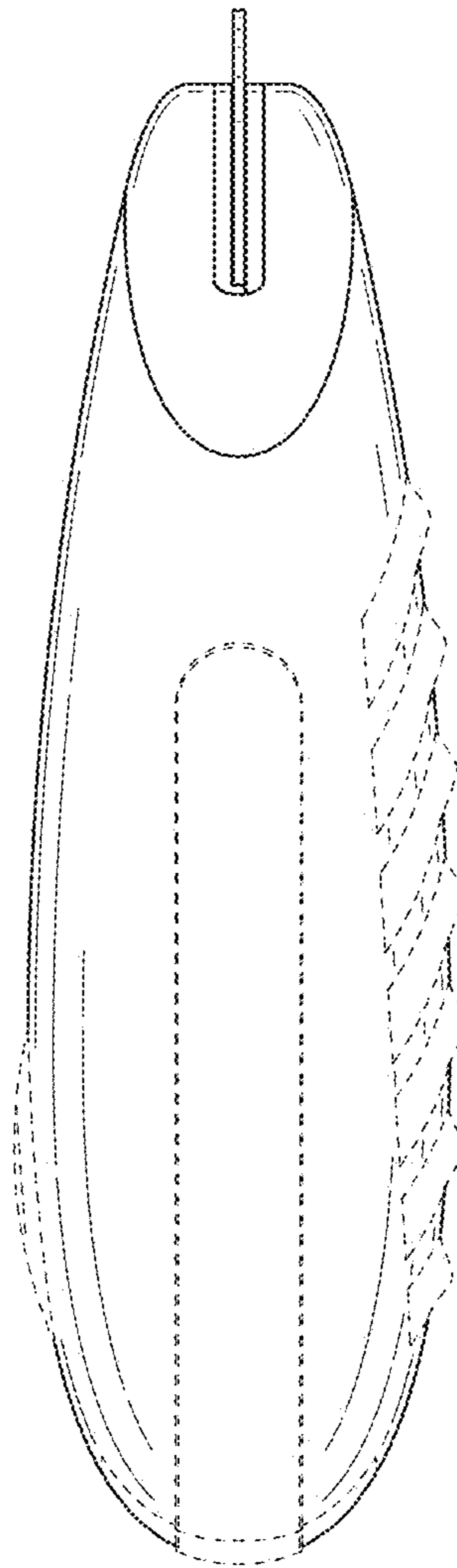


*FIG. 3*

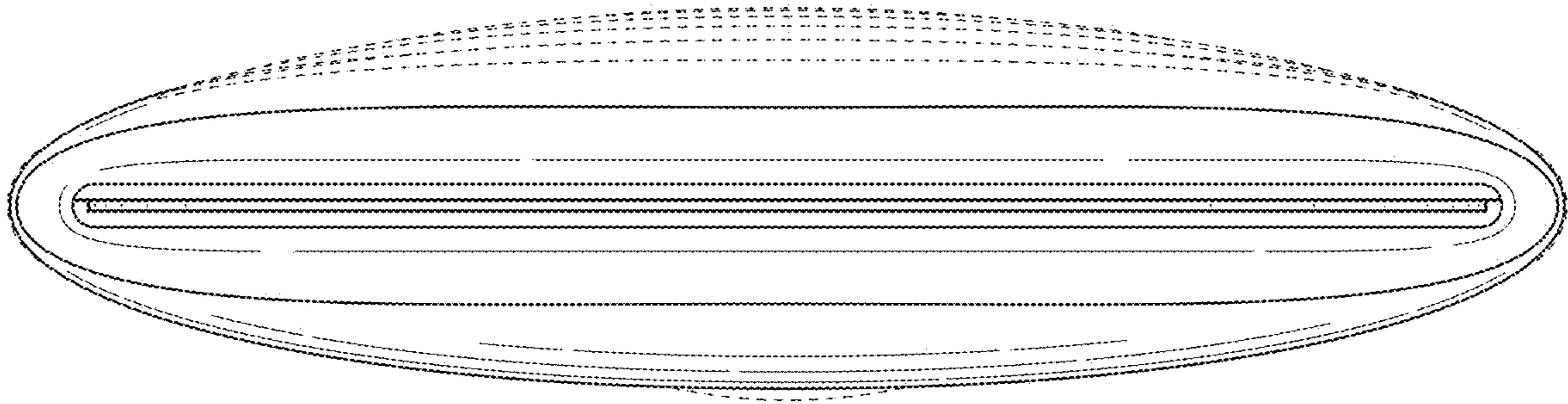




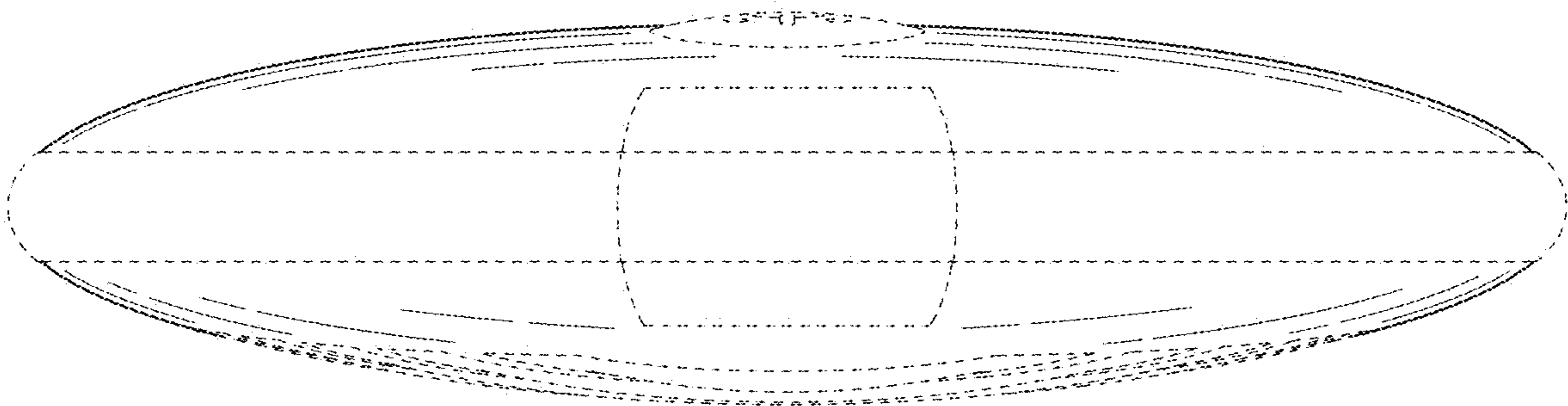
*FIG. 4*



*FIG. 5*



*FIG. 6*



*FIG. 7*