



US00D893024S

(12) **United States Design Patent** (10) **Patent No.:** **US D893,024 S**
Whiteside (45) **Date of Patent:** **** Aug. 11, 2020**

- (54) **CAP FOR A SOLUTION BAG** D771,247 S * 11/2016 Shinohara D24/130
- (71) Applicant: **HF Scientific, Inc.**, Fort Myers, FL D787,054 S * 5/2017 Rini D24/130
(US) D791,936 S * 7/2017 Davis D24/127
- (72) Inventor: **Thomas R. Whiteside**, North Fort D819,803 S * 6/2018 Kheradpir D24/112
Myers, FL (US) D820,441 S * 6/2018 Ketelhohn A61B 17/22012
D24/127
- (73) Assignee: **HF Scientific, Inc.**, Fort Myers, FL D831,201 S * 10/2018 Holtz D24/129
(US) D834,404 S * 11/2018 Pista D8/387
- D847,984 S * 5/2019 Steele D24/129
- 2007/0031346 A1 * 2/2007 Harman B65D 81/3211
424/45

* cited by examiner

(**) Term: **15 Years**

Primary Examiner — Nathan M Johnston

(21) Appl. No.: **29/665,169**

(74) *Attorney, Agent, or Firm* — Harris Beach PLLC

(22) Filed: **Oct. 1, 2018**

(57) **CLAIM**

(51) **LOC (12) Cl.** **24-02**

The ornamental design for a cap for a solution bag, as shown and described.

(52) **U.S. Cl.**

USPC **D24/129**

(58) **Field of Classification Search**

DESCRIPTION

USPC D24/127–131, 112–114, 133, 186;
606/181, 185; 604/264, 523–528, 272,
604/187, 158, 164.01–164.11, 181, 184,
604/227; 600/101, 139, 143;
128/200.24, 207.14, 207.15

CPC A61M 39/20; A61M 5/1411; A61M 5/165;
A61M 5/16813; A61M 5/385; A61M
39/28; A61M 2005/1402; A61M 2205/584

See application file for complete search history.

FIG. 1 is a front perspective view of the cap for a solution bag of my invention;
FIG. 2 is a front view of the cap of the invention;
FIG. 3 is a side view of the cap of the invention;
FIG. 4 is a rear view of the cap of the invention;
FIG. 5 is a rear perspective view of the cap of the invention;
FIG. 6 is an exploded side view of the cap of the invention;
FIG. 7 is a front perspective environmental view; and,
FIG. 8 is a side perspective environmental view.

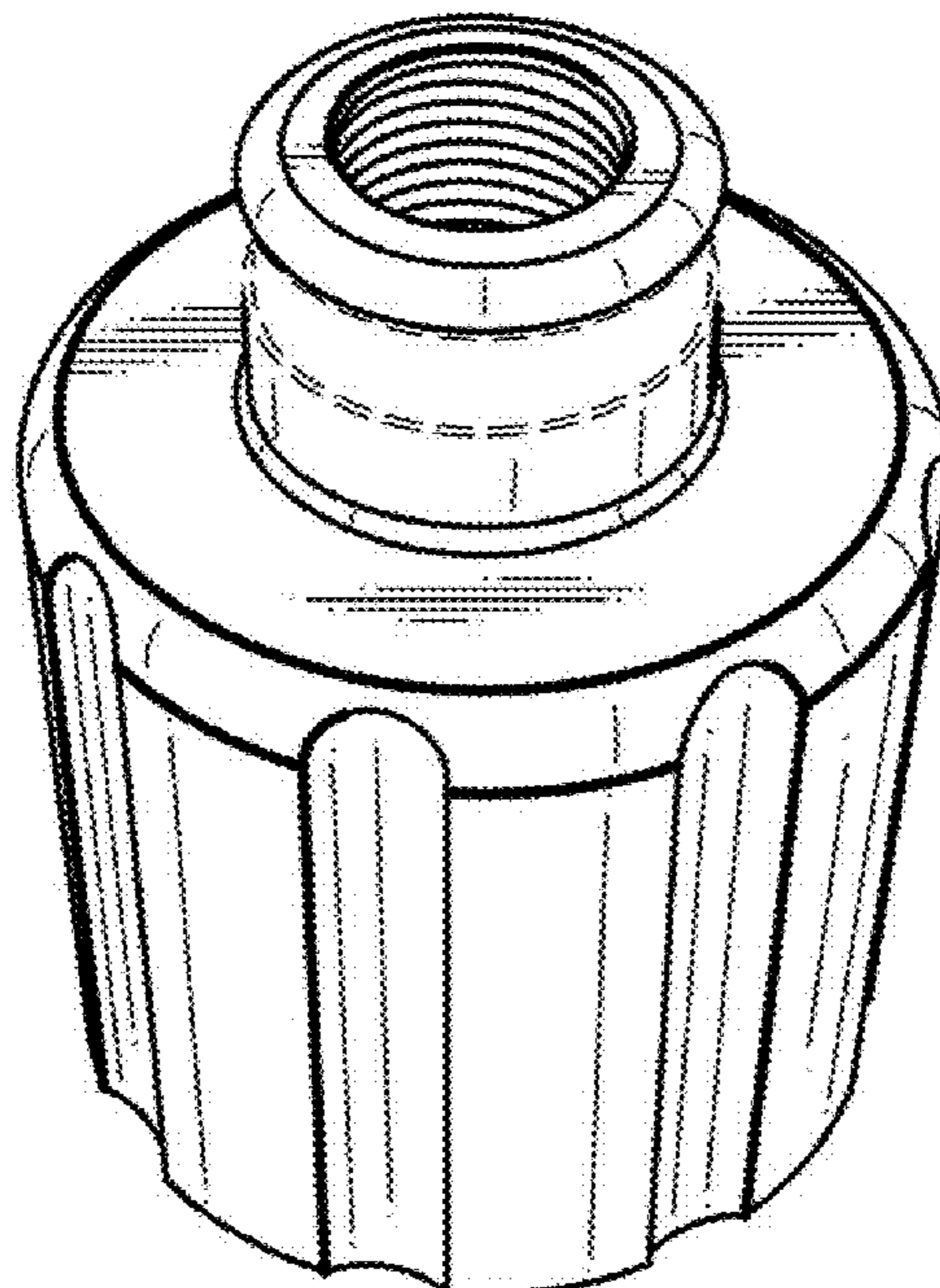
(56) **References Cited**

U.S. PATENT DOCUMENTS

- 4,788,986 A * 12/1988 Harris A61M 5/50
600/576
- D435,652 S * 12/2000 Nazarifar D23/262
- D630,732 S * 1/2011 Lev D24/129
- D736,914 S * 8/2015 Schultz D24/129

The broken line showing of parts of the drawings is included for the purpose of illustrating use and environment and forms no part of the claimed design. The dash dot lines immediately adjacent to the claimed areas in the views represent the boundaries of the claimed design. None of the broken lines form any part of the claimed design.

1 Claim, 3 Drawing Sheets



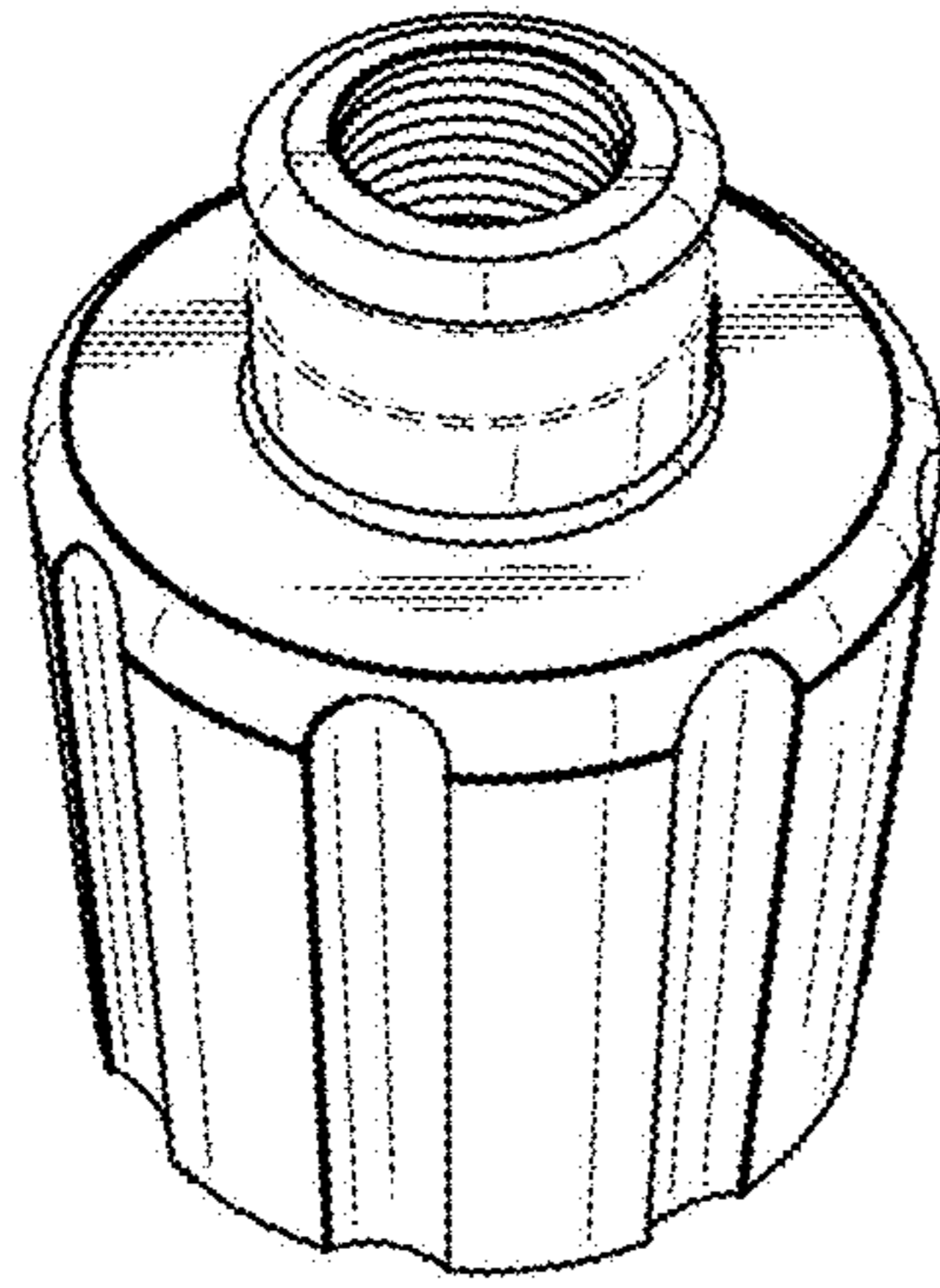


FIG. 1

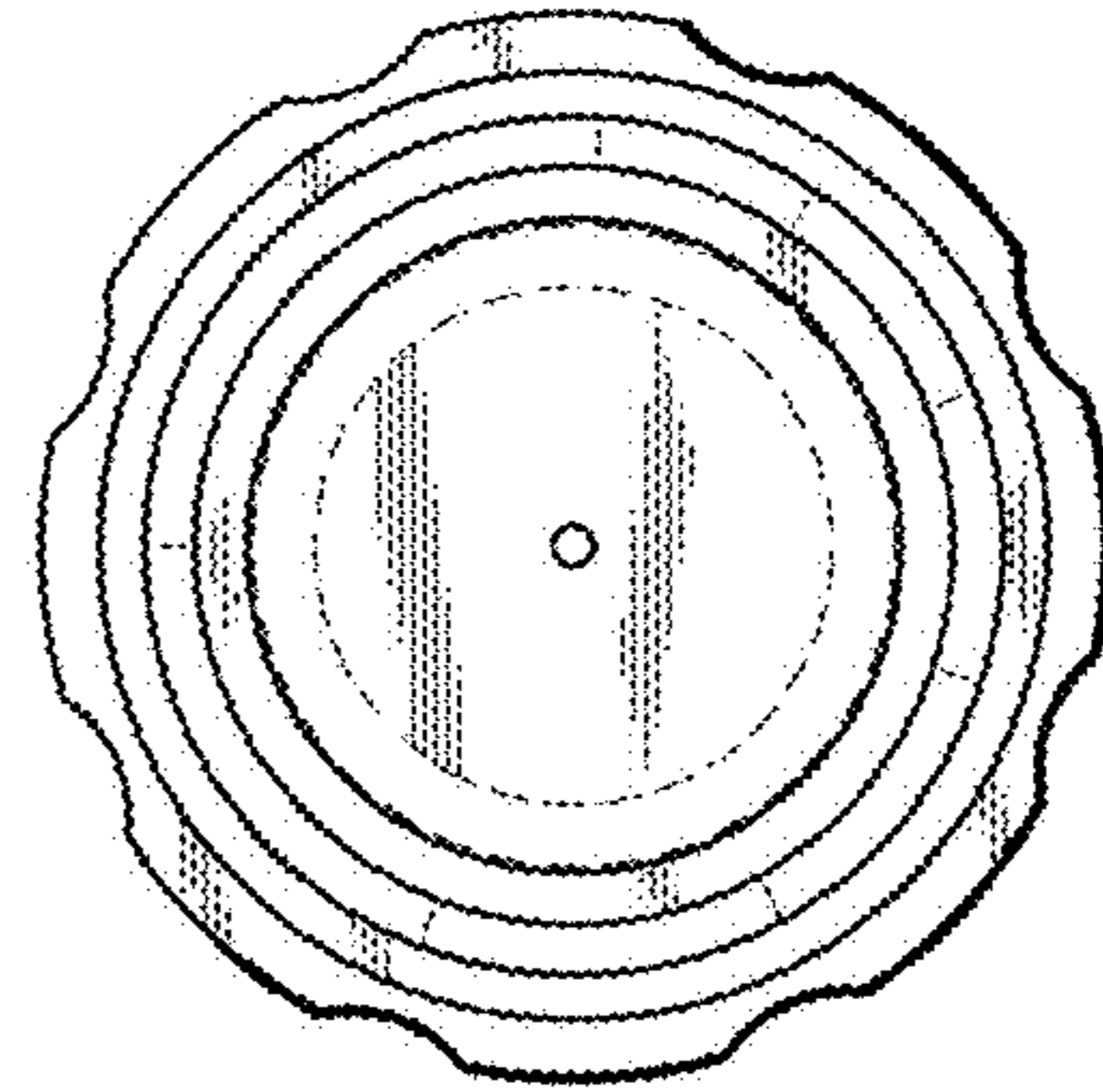


FIG. 4

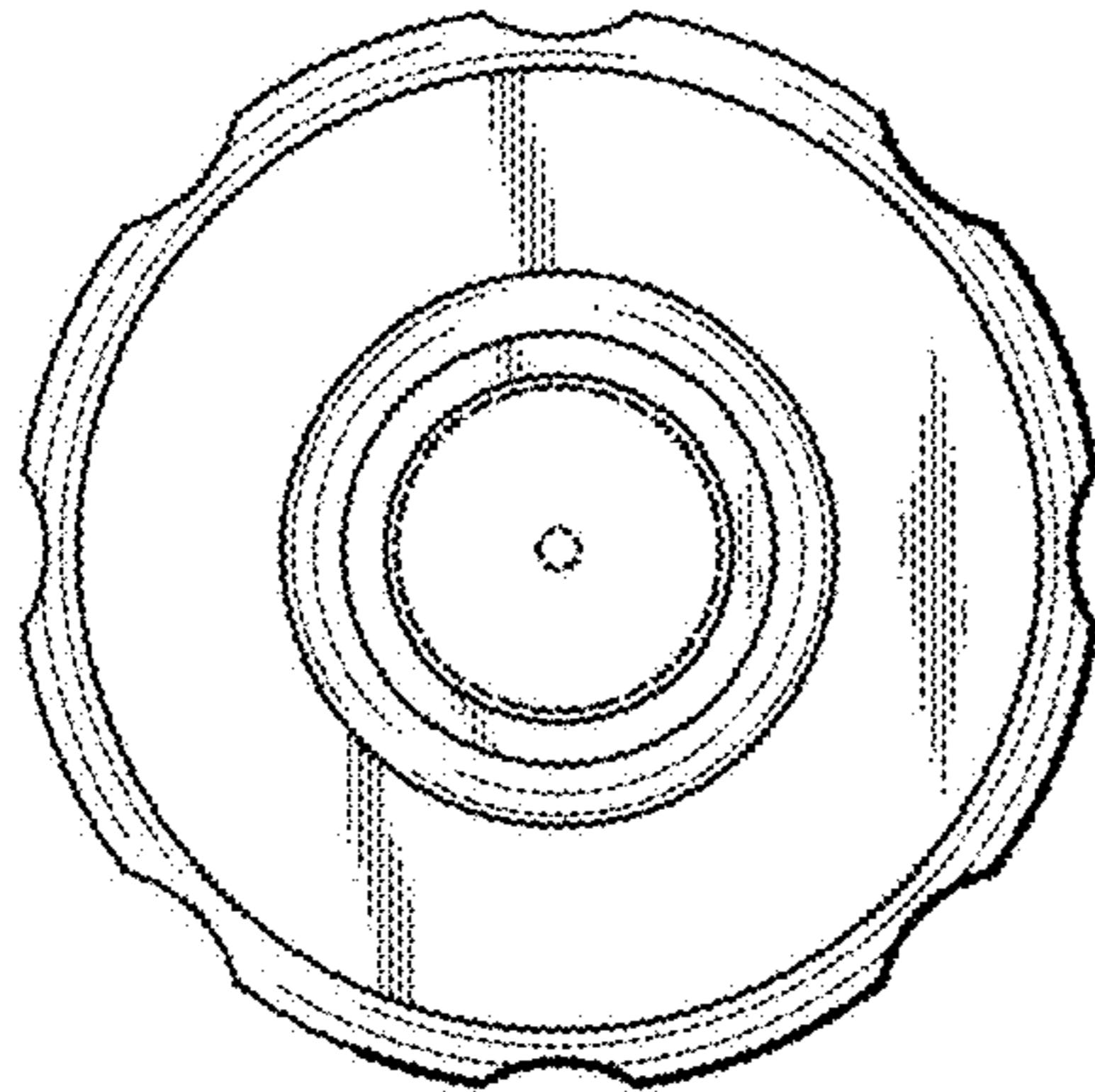


FIG. 2

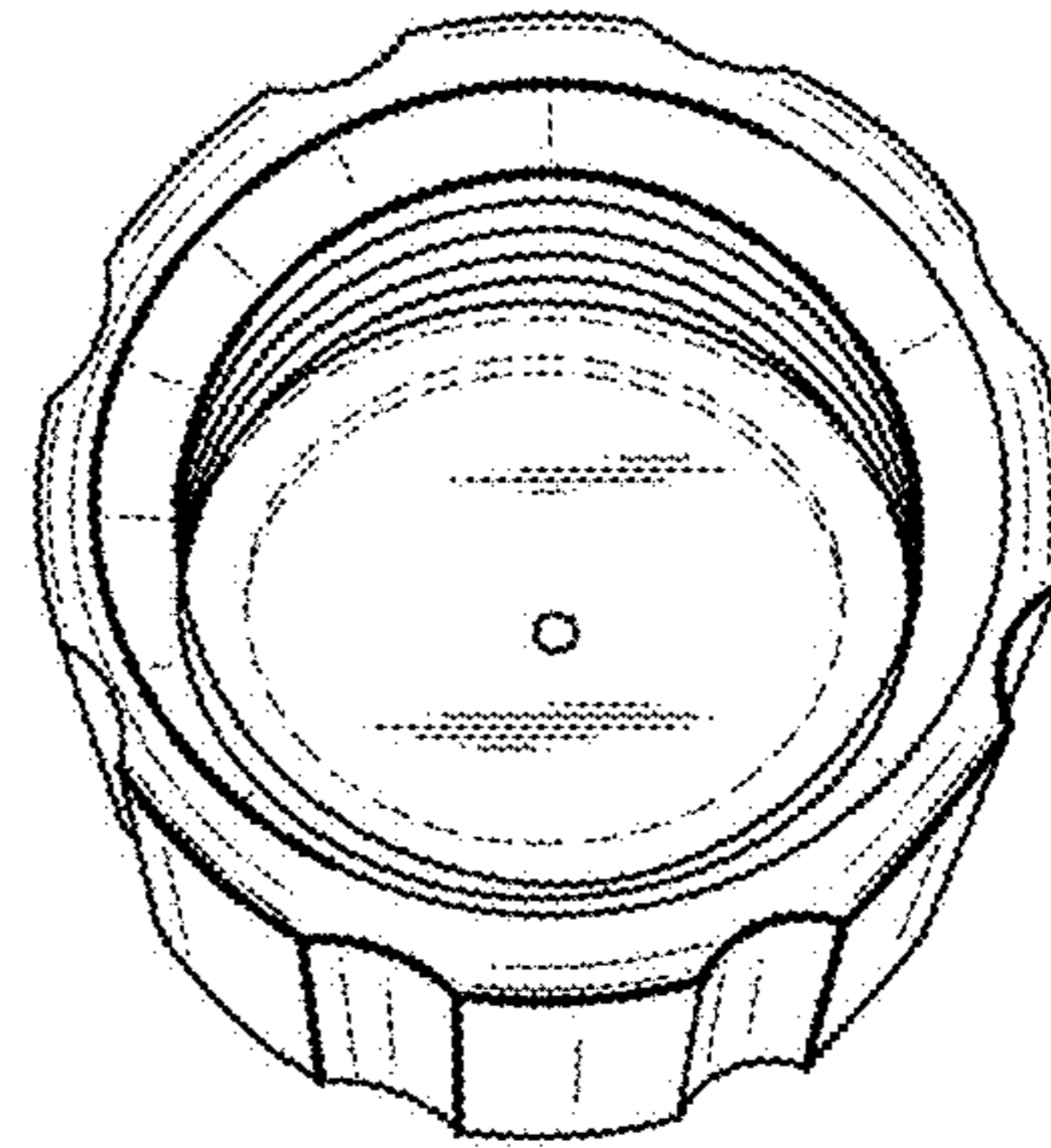


FIG. 5

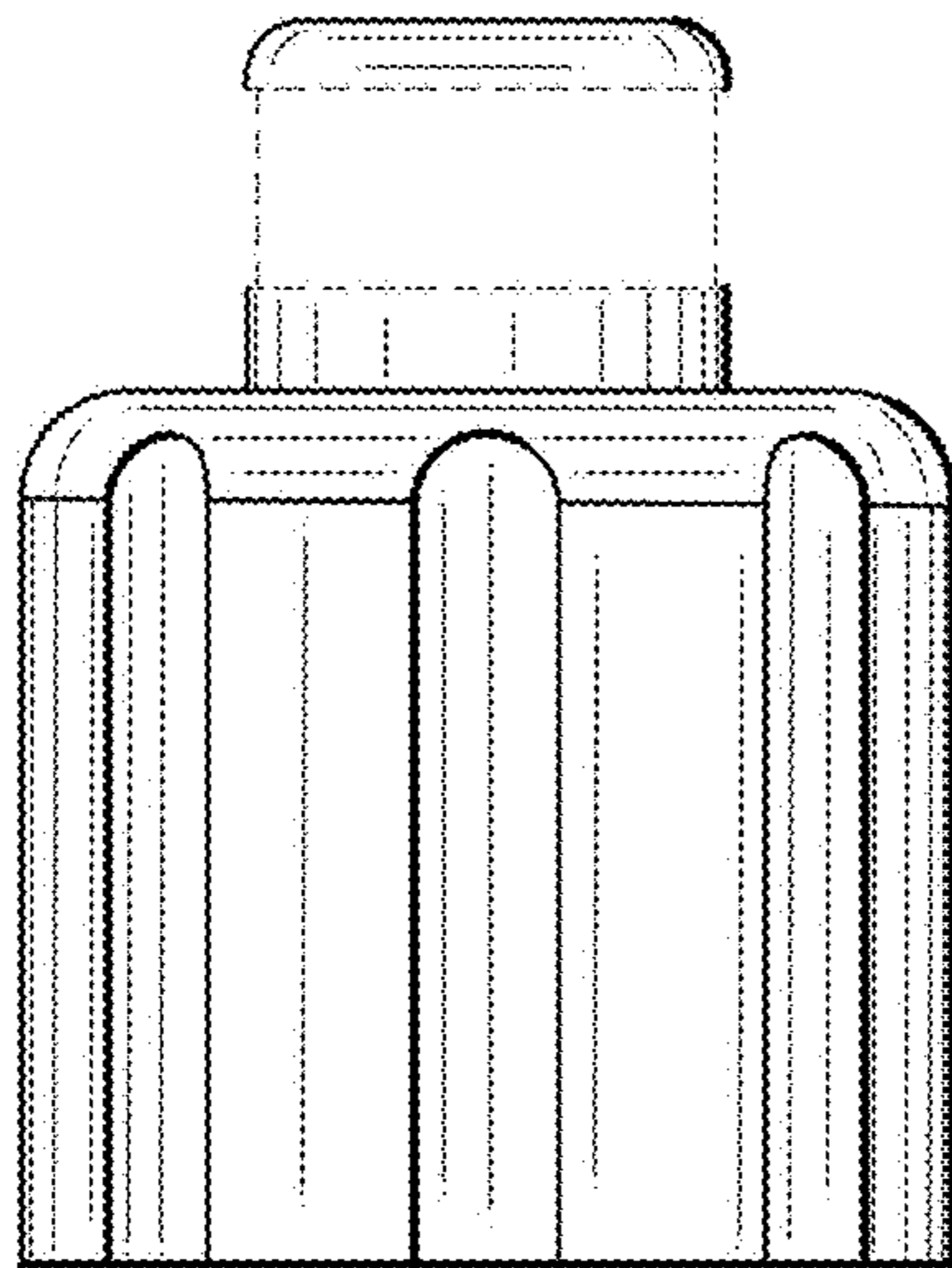


FIG. 3

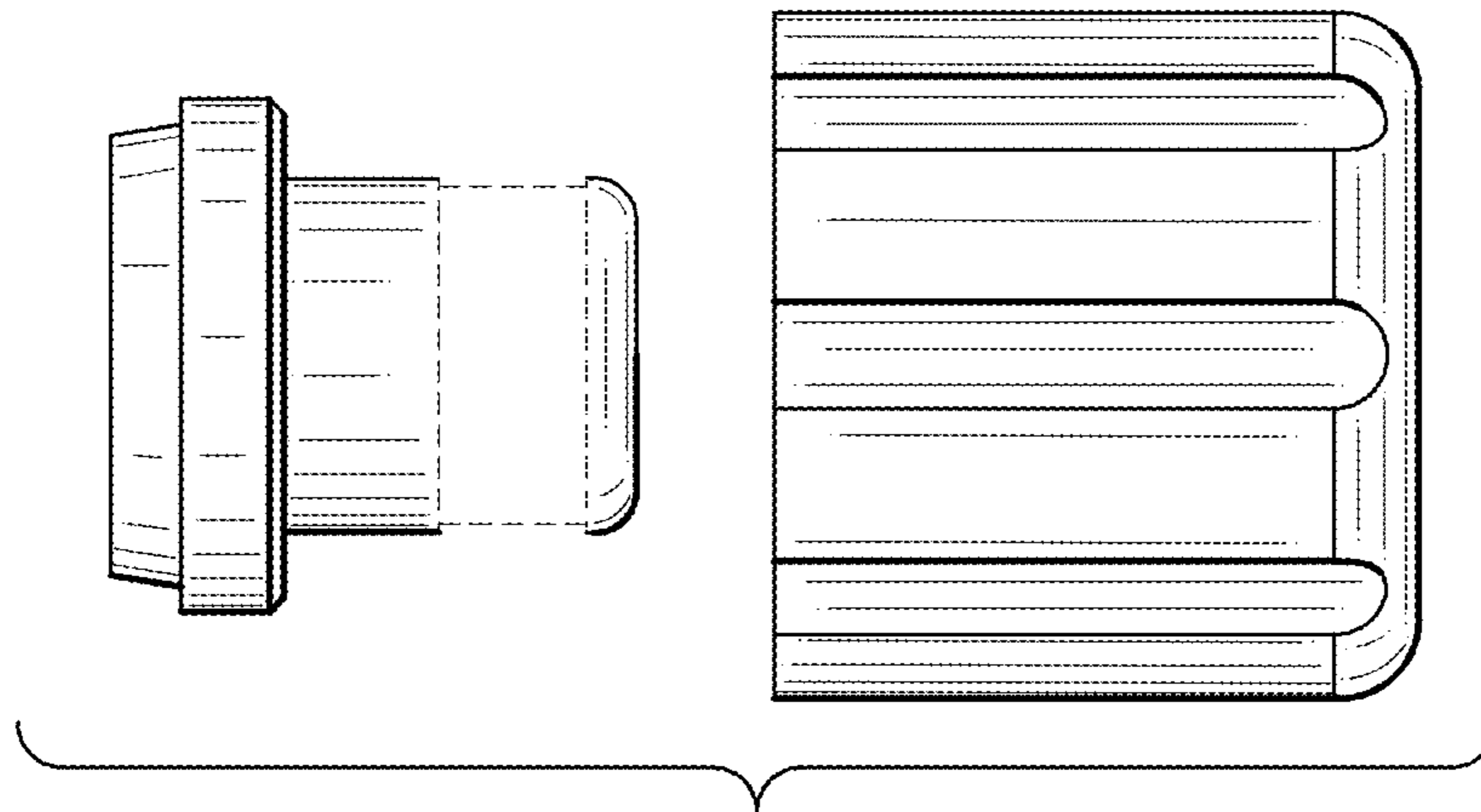


FIG. 6

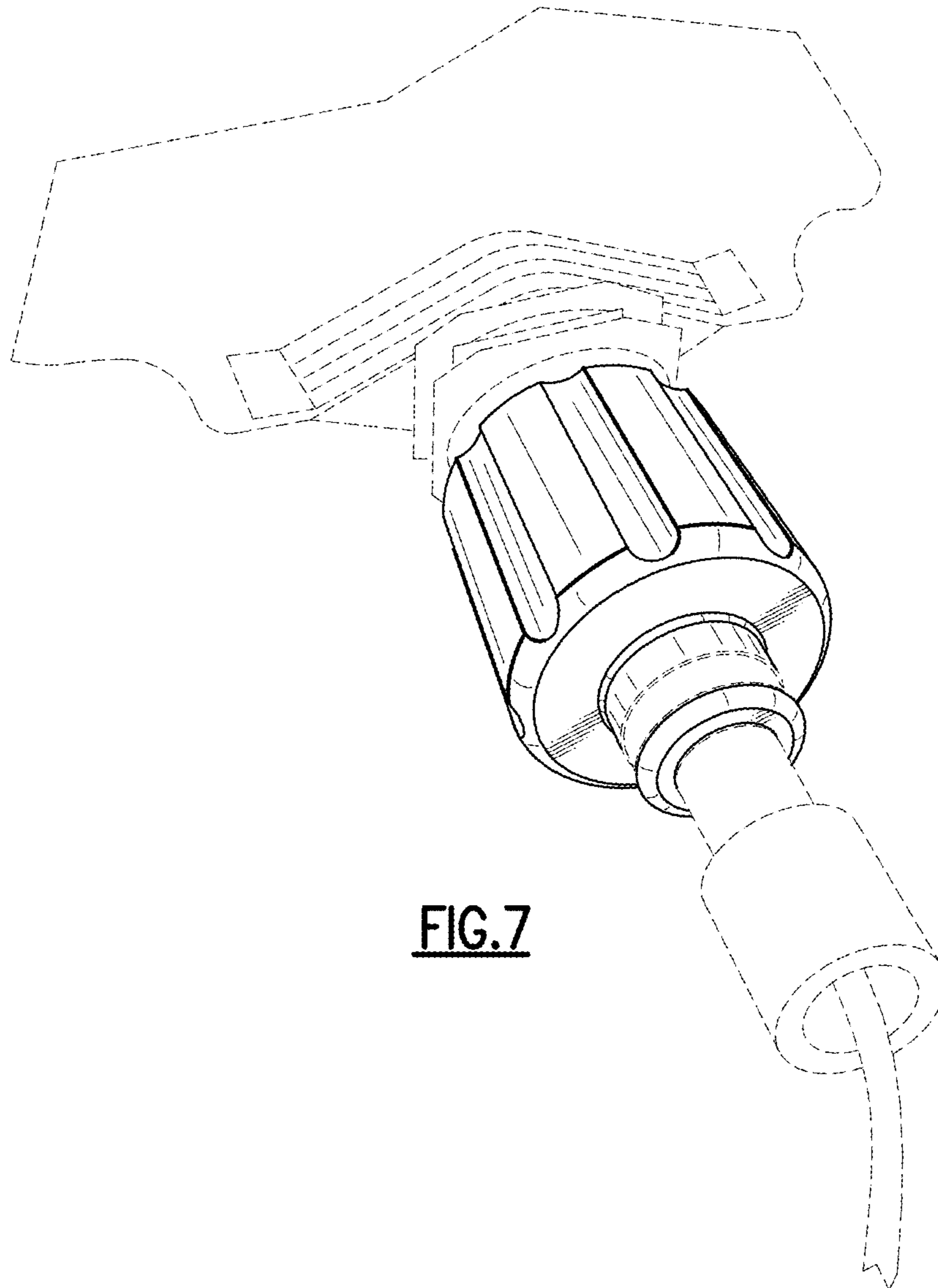


FIG. 7

