



US00D893021S

(12) **United States Design Patent** (10) **Patent No.:** **US D893,021 S**  
**Dyer et al.** (45) **Date of Patent:** **\*\* Aug. 11, 2020**

(54) **NEEDLE-FREE INJECTOR**  
(71) Applicant: **PORTAL INSTRUMENTS, INC.,**  
Cambridge, MA (US)  
(72) Inventors: **Robert Joseph Dyer**, Cambridge, MA  
(US); **Andrew Owen Coats**,  
Cambridge, MA (US); **Patrick Armand**  
**Anquetil**, Cambridge, MA (US); **Serge**  
**Cyril Roux**, Cambridge, MA (US);  
**Jeffrey Scott Plantz**, Cambridge, MA  
(US); **Gillian Brenna Corcoran**,  
Cambridge, MA (US); **Rud Karly**  
**Lucien**, Cambridge, MA (US); **Andrea**  
**Natalina Mary Fernandes**, Cambridge,  
MA (US)

(73) Assignee: **PORTAL INSTRUMENTS, INC.,**  
Cambridge, MA (US)

(\*\*) Term: **15 Years**

(21) Appl. No.: **29/679,395**

(22) Filed: **Feb. 5, 2019**

(51) **LOC (12) Cl.** ..... **24-02**

(52) **U.S. Cl.**  
USPC ..... **D24/113**

(58) **Field of Classification Search**  
USPC ..... D24/112–114, 108, 133, 130, 127, 186;  
606/181, 185; 604/264, 272, 187, 181,  
604/184, 227  
CPC ..... A61M 5/178; A61M 3/00; A61M 5/20;  
A61M 5/31; A61M 5/3146; A61M  
5/3129; A61M 5/3148  
See application file for complete search history.

(56) **References Cited**

**U.S. PATENT DOCUMENTS**

D545,439 S \* 6/2007 Draudt ..... D24/186  
8,480,631 B2 \* 7/2013 Wotton ..... A61K 9/0019  
604/181

D696,770 S \* 12/2013 Schneider ..... D24/113  
D696,772 S \* 12/2013 Schneider ..... D24/113  
D696,775 S \* 12/2013 Guarraia ..... D24/113  
D764,657 S \* 8/2016 Bokelman ..... D24/113  
D773,649 S \* 12/2016 Wohlfahrt ..... D24/113  
D794,775 S \* 8/2017 Bainton ..... D24/112  
D795,423 S \* 8/2017 Chen ..... D24/133  
D799,033 S \* 10/2017 Ashman-Stauss ..... D24/130  
D802,749 S \* 11/2017 Bainton ..... D24/113  
D820,972 S \* 6/2018 Klever ..... D24/108  
D830,538 S \* 10/2018 Guillermo ..... D24/112  
2018/0117252 A1 5/2018 Dyer et al.

\* cited by examiner

*Primary Examiner* — David G Muller

(74) *Attorney, Agent, or Firm* — Lando & Anastasi, LLP

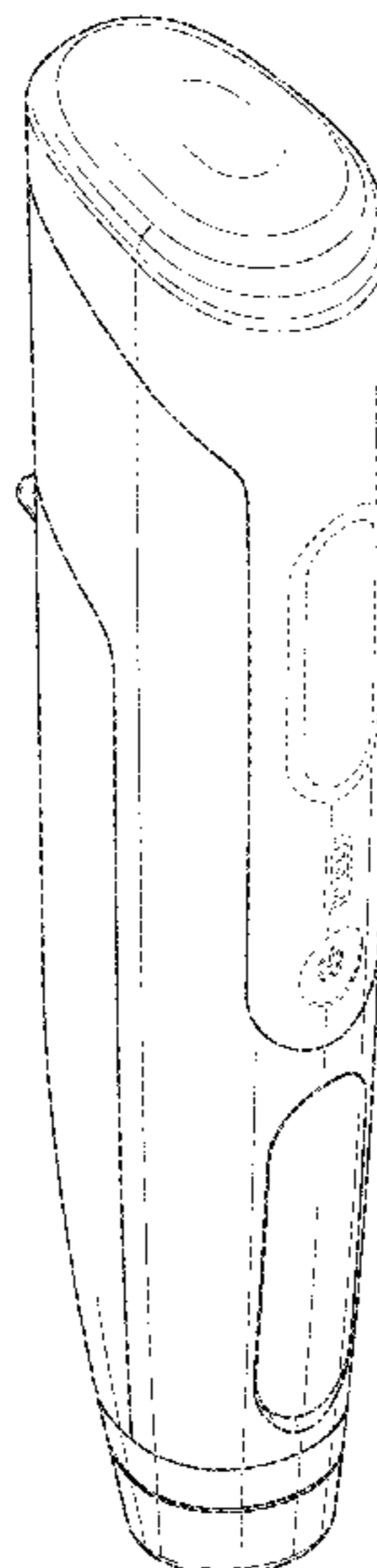
(57) **CLAIM**

The ornamental design for an needle-free injector, as shown and described.

**DESCRIPTION**

FIG. 1 is a top perspective view of a needle-free injector design;  
FIG. 2 is a front side view of the needle-free injector shown in FIG. 1;  
FIG. 3 is a rear side view of the needle-free injector shown in FIG. 1;  
FIG. 4 is a right-side view of the needle-free injector shown in FIG. 1;  
FIG. 5 is a left-side view of the needle-free injector shown in FIG. 1;  
FIG. 6 is a top plan view of the needle-free injector shown in FIG. 1; and,  
FIG. 7 is a bottom plan view of the needle-free injector shown in FIG. 1.  
The broken lines shown in the figures are for environmental purposes only and form no part of the claimed design.

**1 Claim, 4 Drawing Sheets**



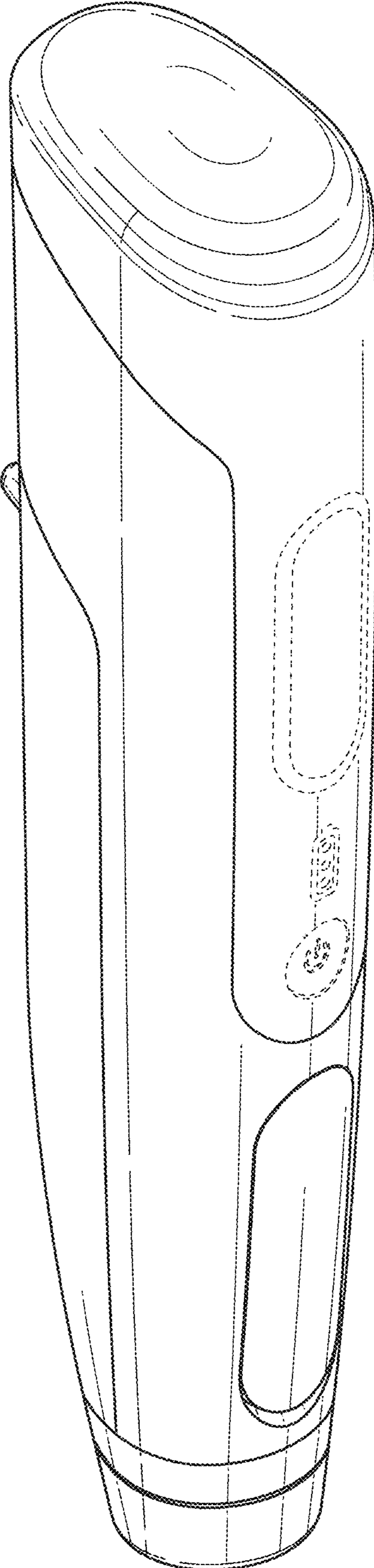


FIG. 1

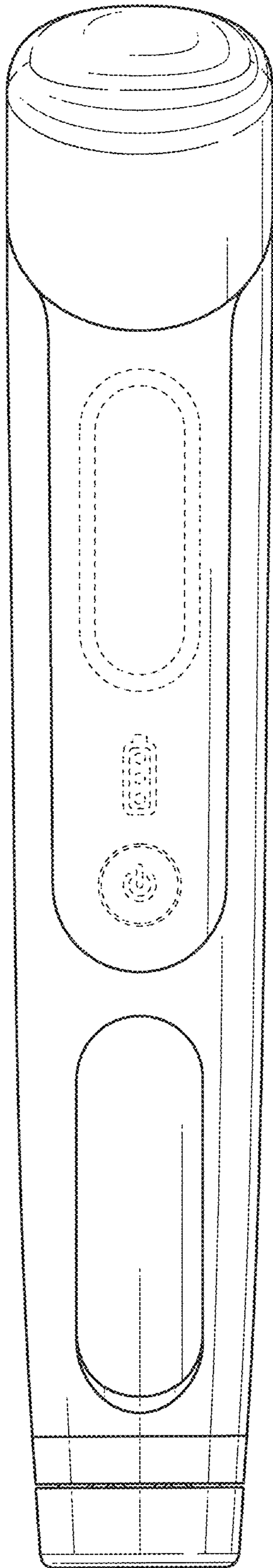


FIG. 2

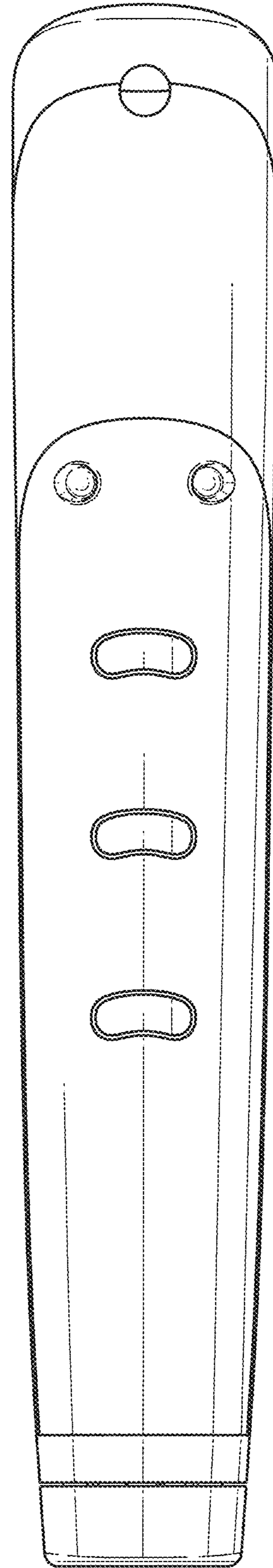


FIG. 3

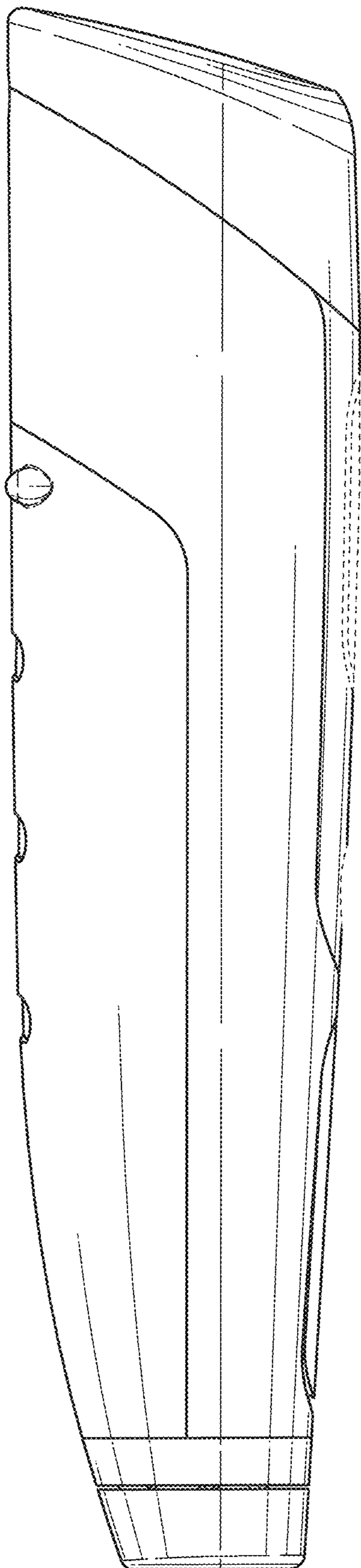


FIG. 4

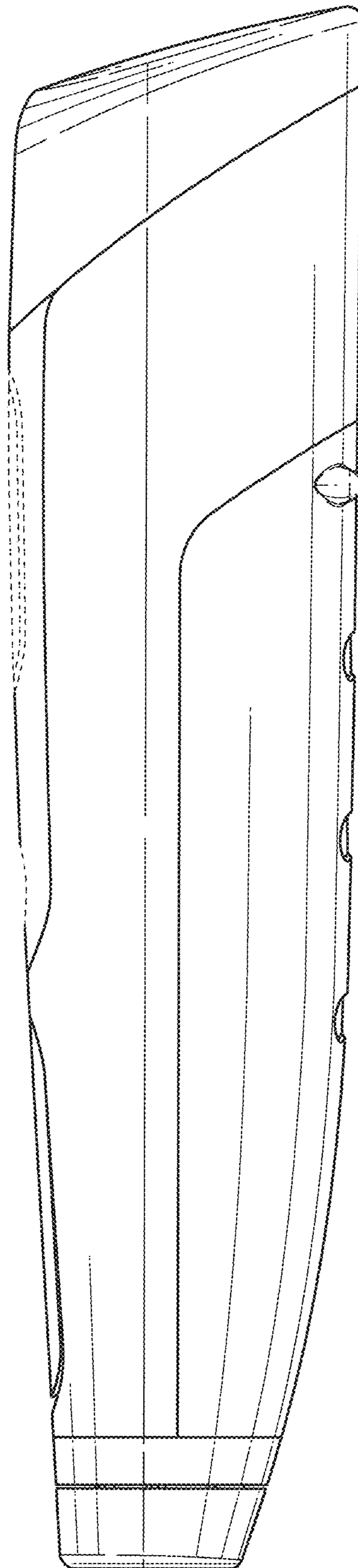


FIG. 5

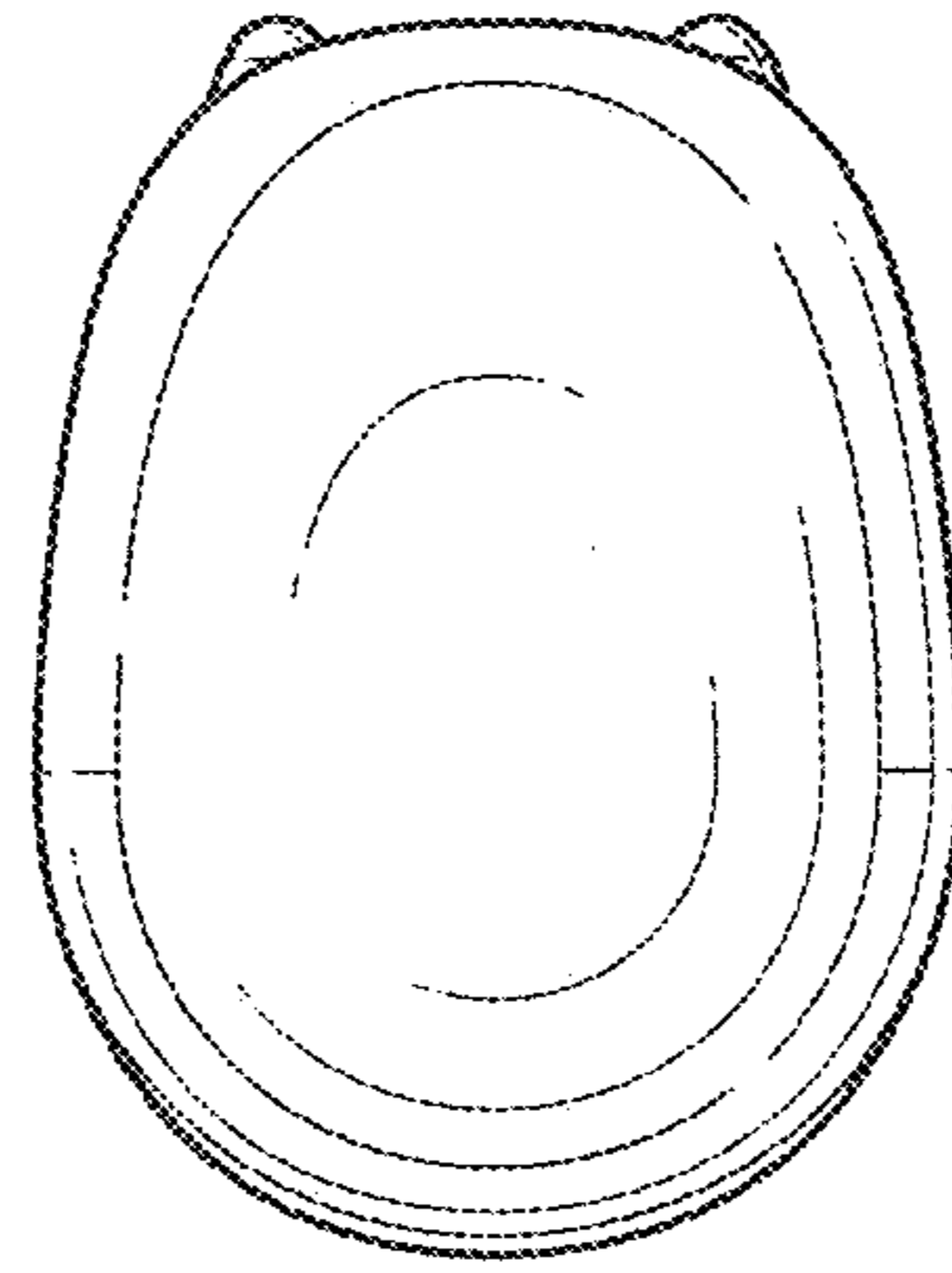


FIG. 6

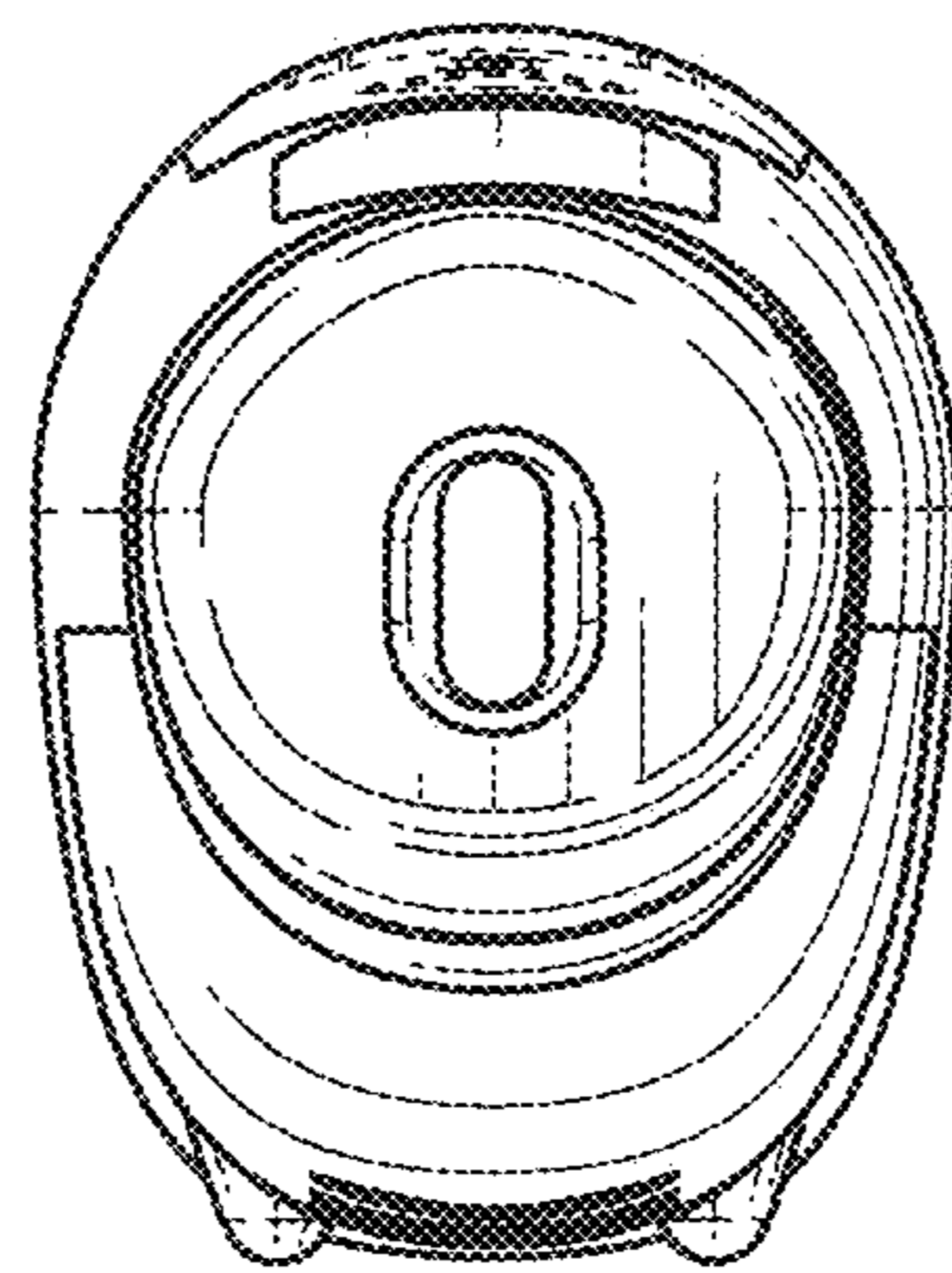


FIG. 7