



US00D893019S

(12) **United States Design Patent** (10) **Patent No.:** **US D893,019 S**
Ferrier et al. (45) **Date of Patent:** **** Aug. 11, 2020**

(54) **ENTERAL SYRINGE**
(71) Applicant: **Becton, Dickinson and Company,**
Franklin Lakes, NJ (US)
(72) Inventors: **Erik Ferrier,** Cranford, NJ (US);
Lokesh Ramamurthy, Chennai (IN)
(73) Assignee: **Becton, Dickinson and Company,**
Franklin Lakes, NJ (US)

D710,499 S * 8/2014 Kawamura D24/130
D711,530 S * 8/2014 Gleason, Jr. D24/112
D714,935 S * 10/2014 Nishioka D24/130
8,888,758 B2 11/2014 Mansour et al.
D765,837 S * 9/2016 Lev D24/129
D767,124 S * 9/2016 Lev D24/129
D785,162 S * 4/2017 Swisher D24/114
9,656,022 B1 5/2017 Russo
(Continued)

(**) Term: **15 Years**
(21) Appl. No.: **29/695,585**

EP 2583715 A1 4/2013
JP 2014514051 A 6/2014
(Continued)

(22) Filed: **Jun. 20, 2019**
(51) **LOC (12) Cl.** **24-02**
(52) **U.S. Cl.**
USPC **D24/112**
(58) **Field of Classification Search**
USPC D24/127-131, 112-114, 133, 186;
606/181, 185; 604/264, 523-528, 272,
604/187, 158, 164.01-164.11, 181, 184,
604/227; 600/101, 139, 143;
128/200.24, 207.14, 207.15
CPC .. A61M 25/065; A61M 5/42; A61M 25/0612;
A61M 25/00; A61M 39/00; A61M 27/00;
A61M 25/0043; A61M 25/0067; A61M
25/0097; A61F 2/958
See application file for complete search history.

FOREIGN PATENT DOCUMENTS

OTHER PUBLICATIONS

Non-Final Office Action in U.S. Appl. No. 29/695,580 dated Oct. 4,
2019, 8 pages.
(Continued)

Primary Examiner — David G Muller
(74) *Attorney, Agent, or Firm* — Servilla Whitney LLC

(57) **CLAIM**

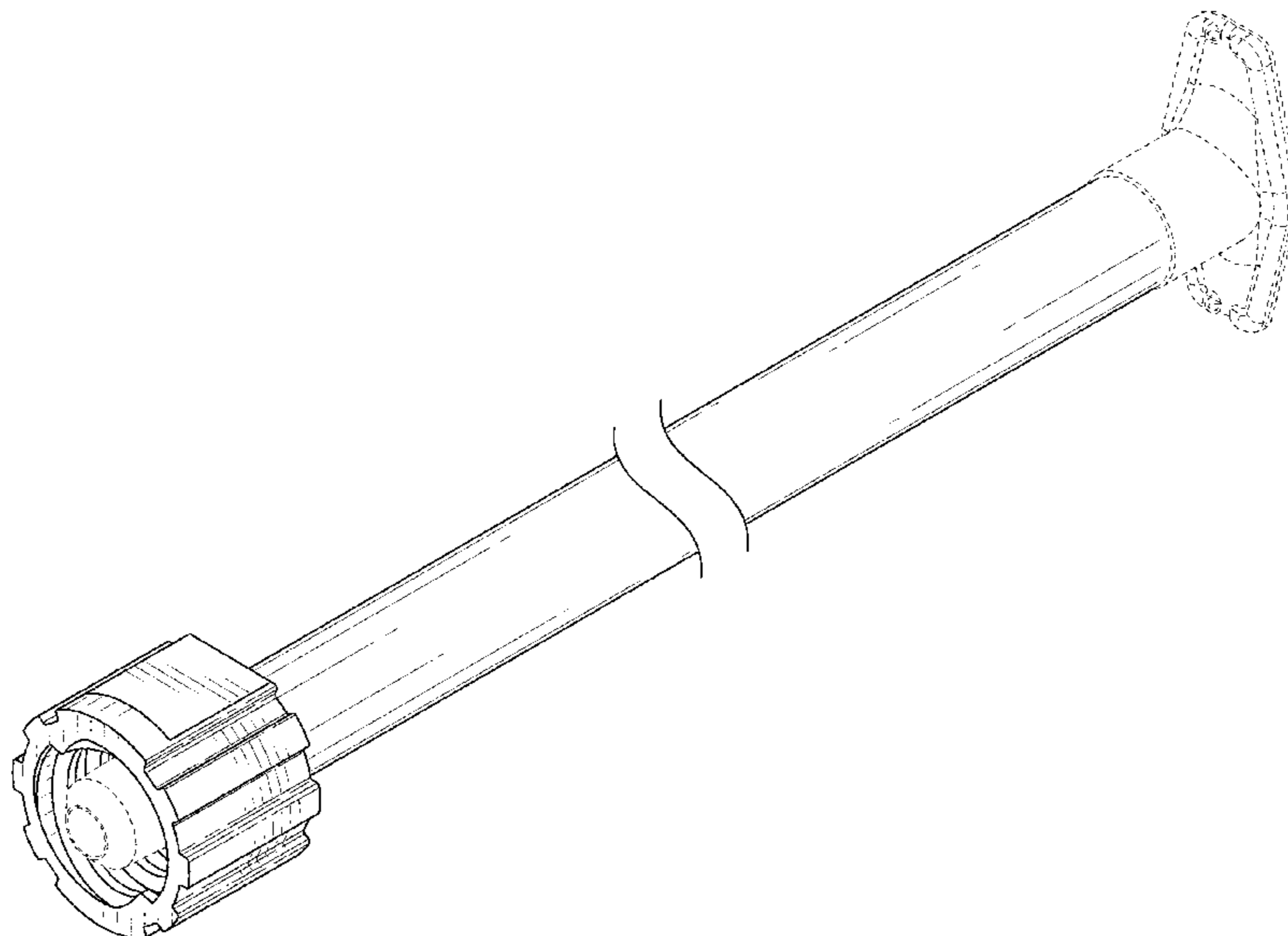
The ornamental design for an enteral syringe, substantially
as shown and described.

DESCRIPTION

FIG. 1 is a top-front isometric view of an enteral syringe;
FIG. 2 is a front view of the enteral syringe of FIG. 1;
FIG. 3 is a rear view of the enteral syringe of FIG. 1;
FIG. 4 is a right side view of the enteral syringe of FIG. 1;
FIG. 5 is left side view of the enteral syringe of FIG. 1;
FIG. 6 is a top view of the enteral syringe of FIG. 1; and,
FIG. 7 is a bottom view of the enteral syringe of FIG. 1.
The syringe is shown with a symbolic break in its length.
The appearance of any portion of the article between the
break lines forms no part of the claimed design.

1 Claim, 4 Drawing Sheets

(56) **References Cited**
U.S. PATENT DOCUMENTS
4,390,017 A 6/1983 Harrison et al.
5,609,584 A 3/1997 Gettig et al.
6,183,421 B1 2/2001 Bobo
6,500,153 B1 12/2002 Sheppard et al.
6,599,269 B1 7/2003 Lewandowski et al.
7,066,914 B2 6/2006 Andersen
7,955,317 B2 6/2011 Fournie
8,292,875 B2 10/2012 Kennard



(56)

References Cited

U.S. PATENT DOCUMENTS

D861,161	S *	9/2019	Schuessler	D24/129
2006/0047251	A1	3/2006	Bickford Smith et al.	
2008/0140020	A1	6/2008	Shirley	
2010/0022966	A1	1/2010	Kennard	
2011/0046568	A1	2/2011	Enns	
2012/0022457	A1	1/2012	Silver	
2012/0078214	A1 *	3/2012	Finke	A61J 1/2089 604/411
2012/0150129	A1 *	6/2012	Jin	A61M 39/10 604/240
2013/0030379	A1	1/2013	Ingram et al.	
2013/0090606	A1	4/2013	Shams	
2013/0158560	A1 *	6/2013	Gleason	A61B 17/8811 606/94
2013/0226100	A1 *	8/2013	Lev	A61J 1/2096 604/246
2013/0237904	A1 *	9/2013	Deneburg	A61J 1/2096 604/86
2013/0270819	A1 *	10/2013	Amborn	A61M 39/10 285/328
2016/0067471	A1	3/2016	Ingram et al.	

2016/0106928	A1	4/2016	Davis et al.
2016/0159635	A1	6/2016	Davis et al.
2016/0279032	A1	9/2016	David et al.
2017/0173321	A1	6/2017	Davis et al.

FOREIGN PATENT DOCUMENTS

WO	2012134513	A1	10/2012
WO	2015146831	A1	10/2015
WO	2018067629	A1	4/2018
WO	2018067929	A1	4/2018

OTHER PUBLICATIONS

PCT International Search Report and Written Opinion in PCT/US2019/038404 dated Sep. 9, 2019, 14 pages.

PCT International Search Report and Written Opinion in PCT/US2017/055023 dated Dec. 19, 2017, 16 pages.

Non-Final Office Action in U.S. Appl. No. 15/286,655 dated Mar. 27, 2020, 15 pages.

Non-Final Office Action in U.S. Appl. No. 29/695,580 dated Apr. 10, 2020, 8 pages.

* cited by examiner

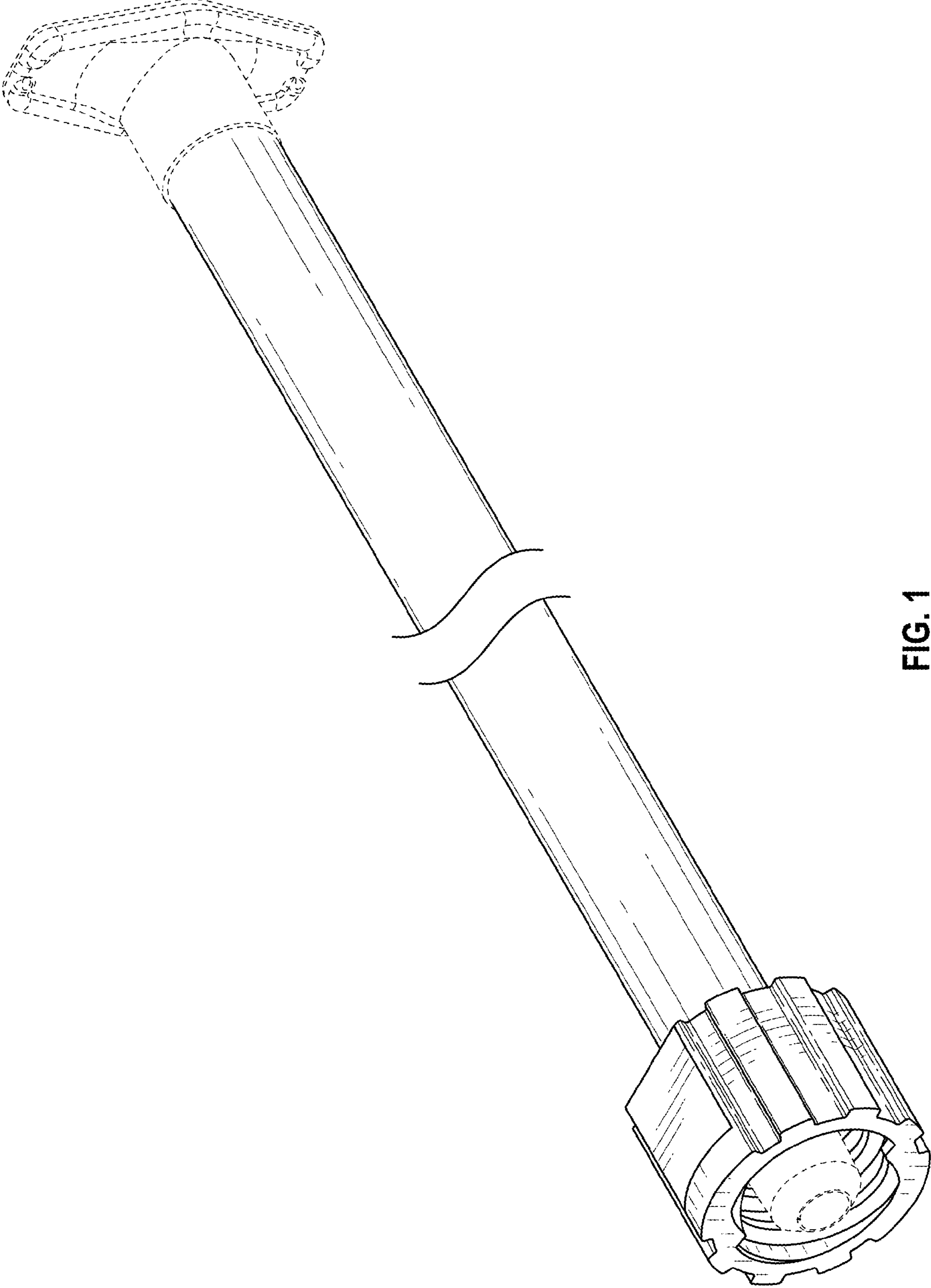


FIG. 1

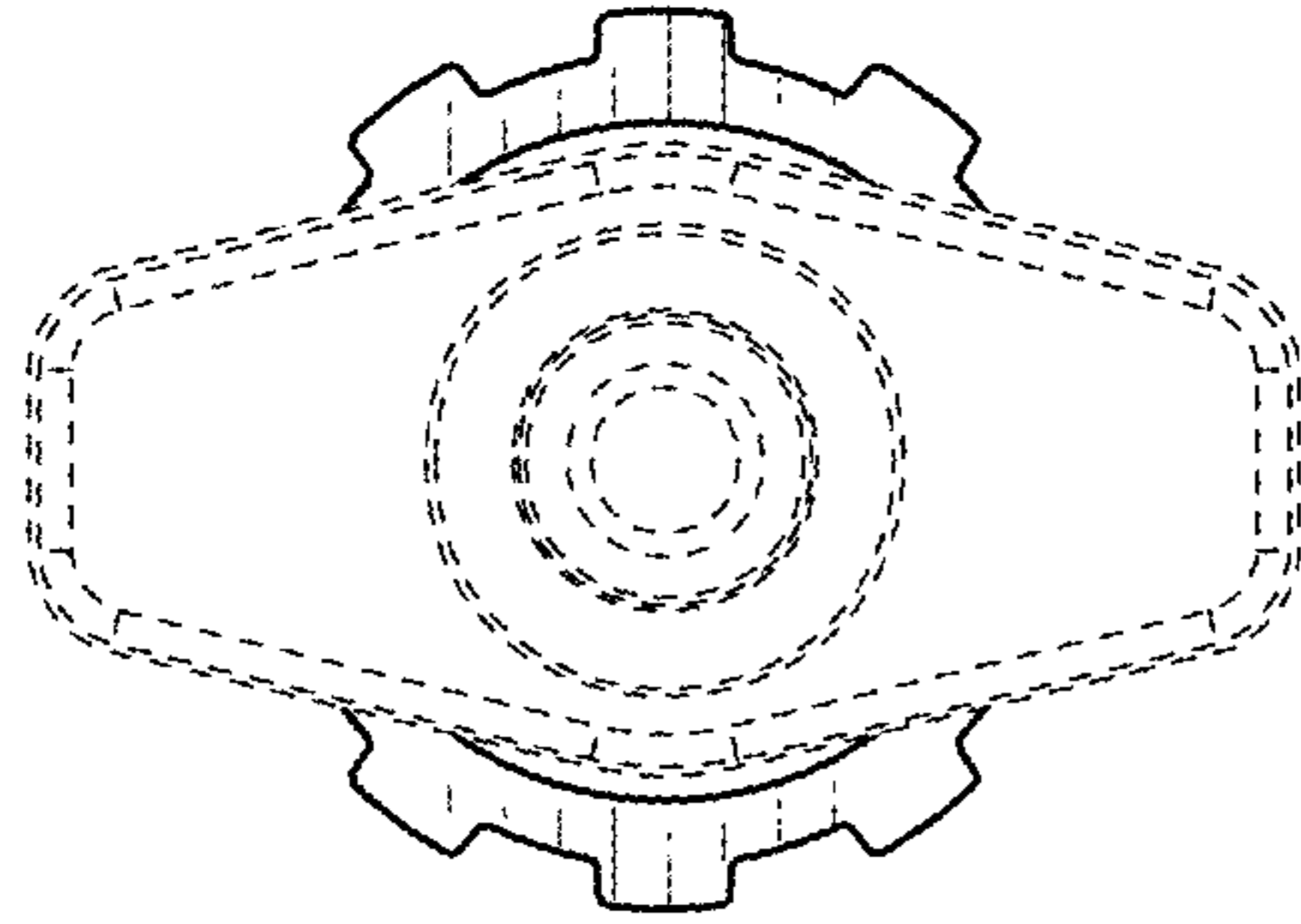


FIG. 3

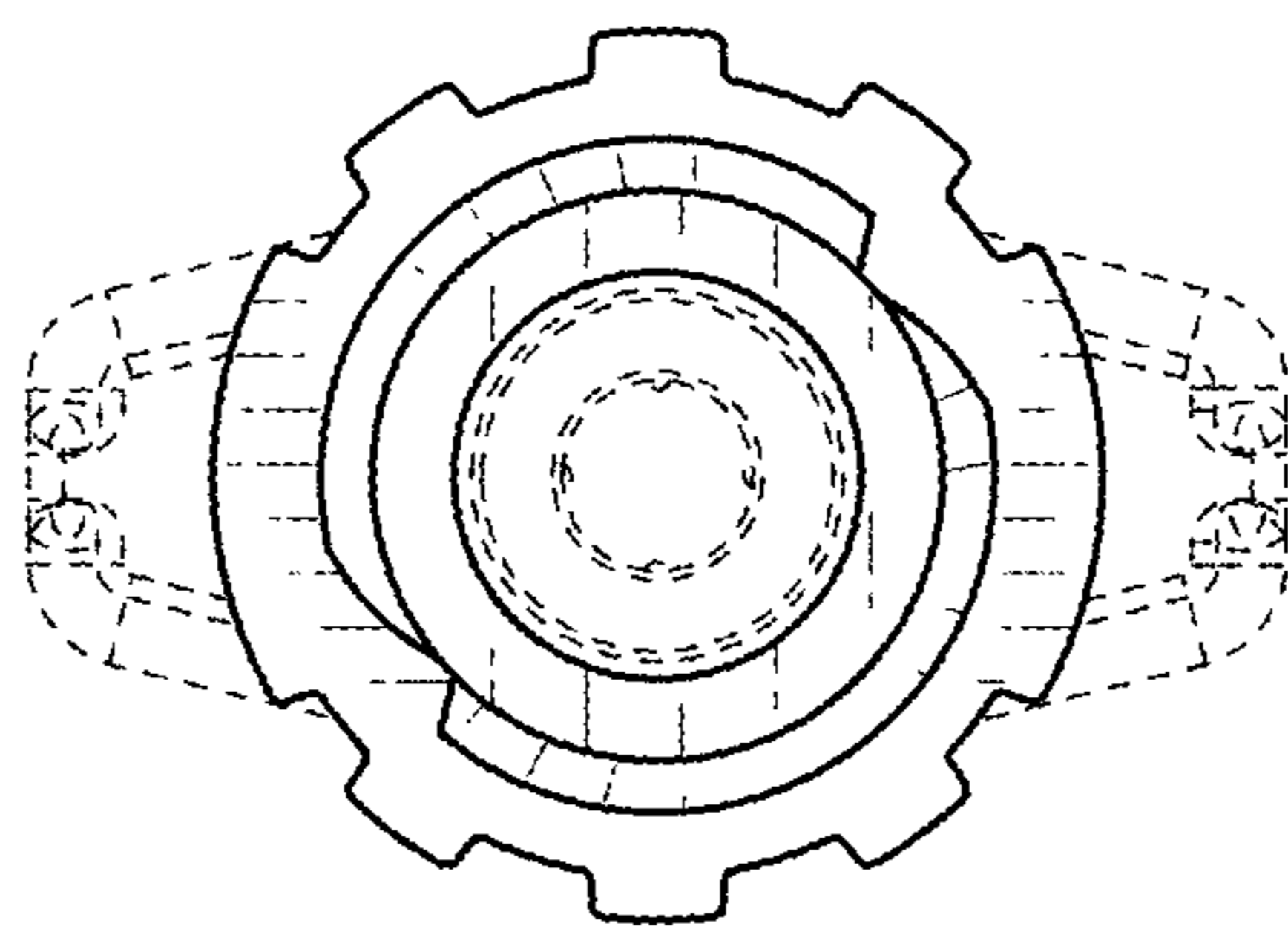


FIG. 2

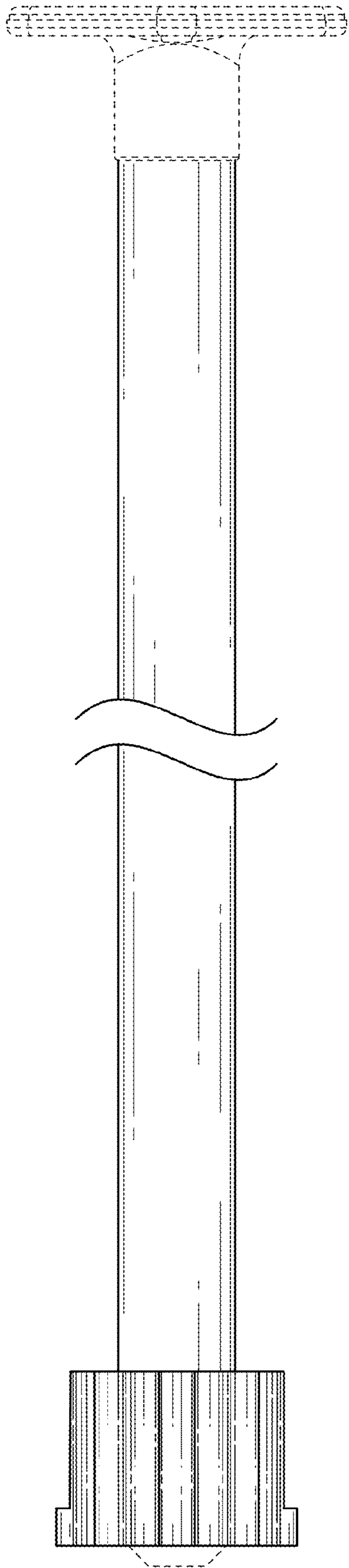


FIG. 4

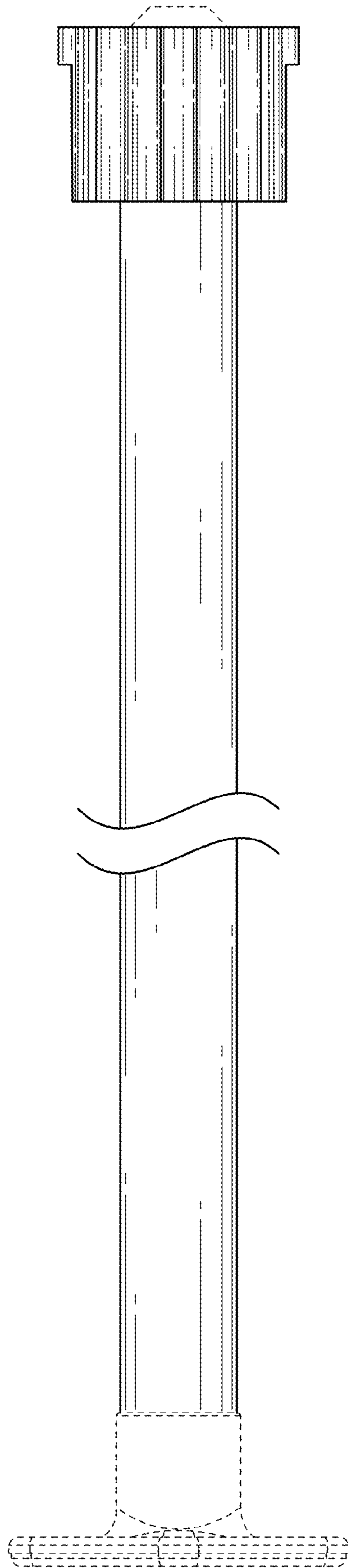


FIG. 5

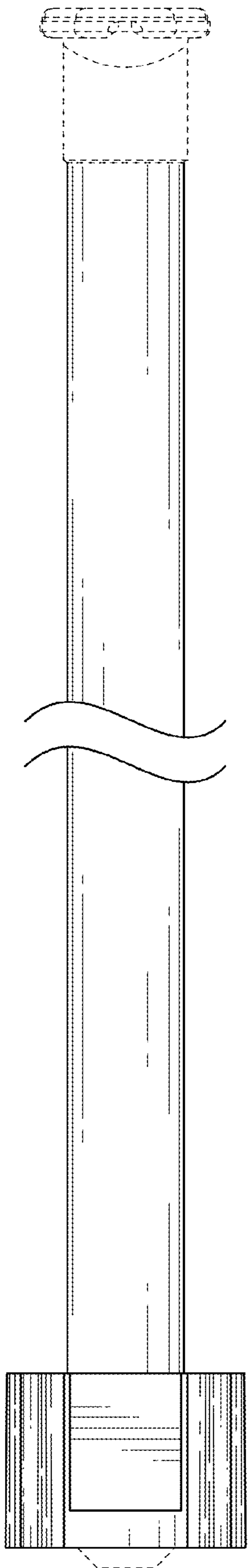


FIG. 6

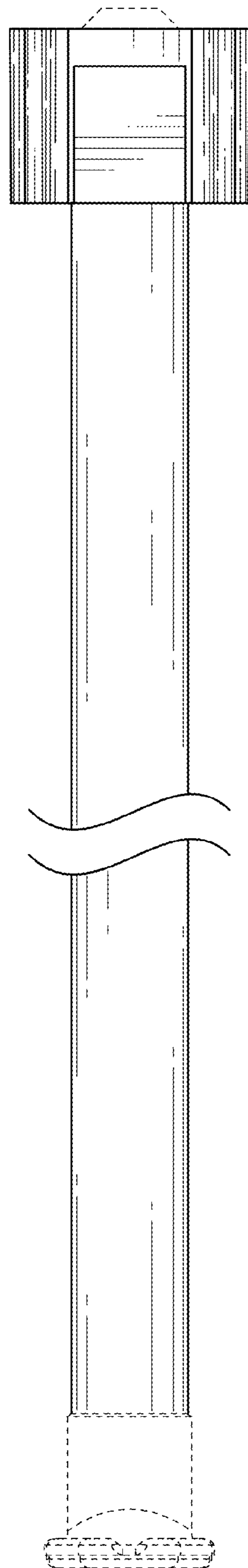


FIG. 7