



US00D893018S

(12) **United States Design Patent** (10) **Patent No.:** **US D893,018 S**
Fuentes-Ortega et al. (45) **Date of Patent:** **** Aug. 11, 2020**

(54) **HANDLE SHELL**
(71) Applicant: **BIOSENSE WEBSTER (ISRAEL) LTD.**, Yokneam (IL)
(72) Inventors: **Cesar Fuentes-Ortega**, Pasadena, CA (US); **Mario Solis**, Rancho Cucamonga, CA (US); **Pieter Emmelius Van Niekerk**, Irwindale, CA (US)
(73) Assignee: **BIOSENSE WEBSTER (ISRAEL) LTD.**, Yokneam (IL)
(**) Term: **15 Years**
(21) Appl. No.: **29/648,242**
(22) Filed: **May 18, 2018**
(51) **LOC (12) Cl.** **24-02**
(52) **U.S. Cl.**
USPC **D24/112**
(58) **Field of Classification Search**
USPC D24/112–114, 108, 130, 127, 133, 186; 606/181, 185; 604/264, 523–528, 272, 604/164.01–164.11, 187, 93.01; 600/101, 600/139, 143; 128/200.24, 207.14, 128/207.15
CPC .. A61M 25/065; A61M 5/42; A61M 25/0612; A61M 25/00; A61M 39/00; A61M 27/00; A61M 25/0043; A61M 25/0067; A61M 25/0097; A61F 2/958
See application file for complete search history.

D704,336 S * 5/2014 Chon D24/133
D762,851 S * 8/2016 Tegg D24/130
D776,259 S * 1/2017 Eldredge D24/112
D779,059 S * 2/2017 Nino D24/133
D803,396 S * 11/2017 Oberkircher D24/133
D809,123 S * 1/2018 Ishikawa D24/108
D816,831 S * 5/2018 Sacchetti D24/127
D820,436 S * 6/2018 Kheradpir D24/112
D823,459 S * 7/2018 Bendek D24/113
D835,777 S * 12/2018 Seaver D24/112
D846,117 S * 4/2019 Lesch D24/133

* cited by examiner
Primary Examiner — David G Muller
(74) *Attorney, Agent, or Firm* — Etan S. Chatlynne; Roberts Calderon Safran & Cole P.C.

(57) **CLAIM**

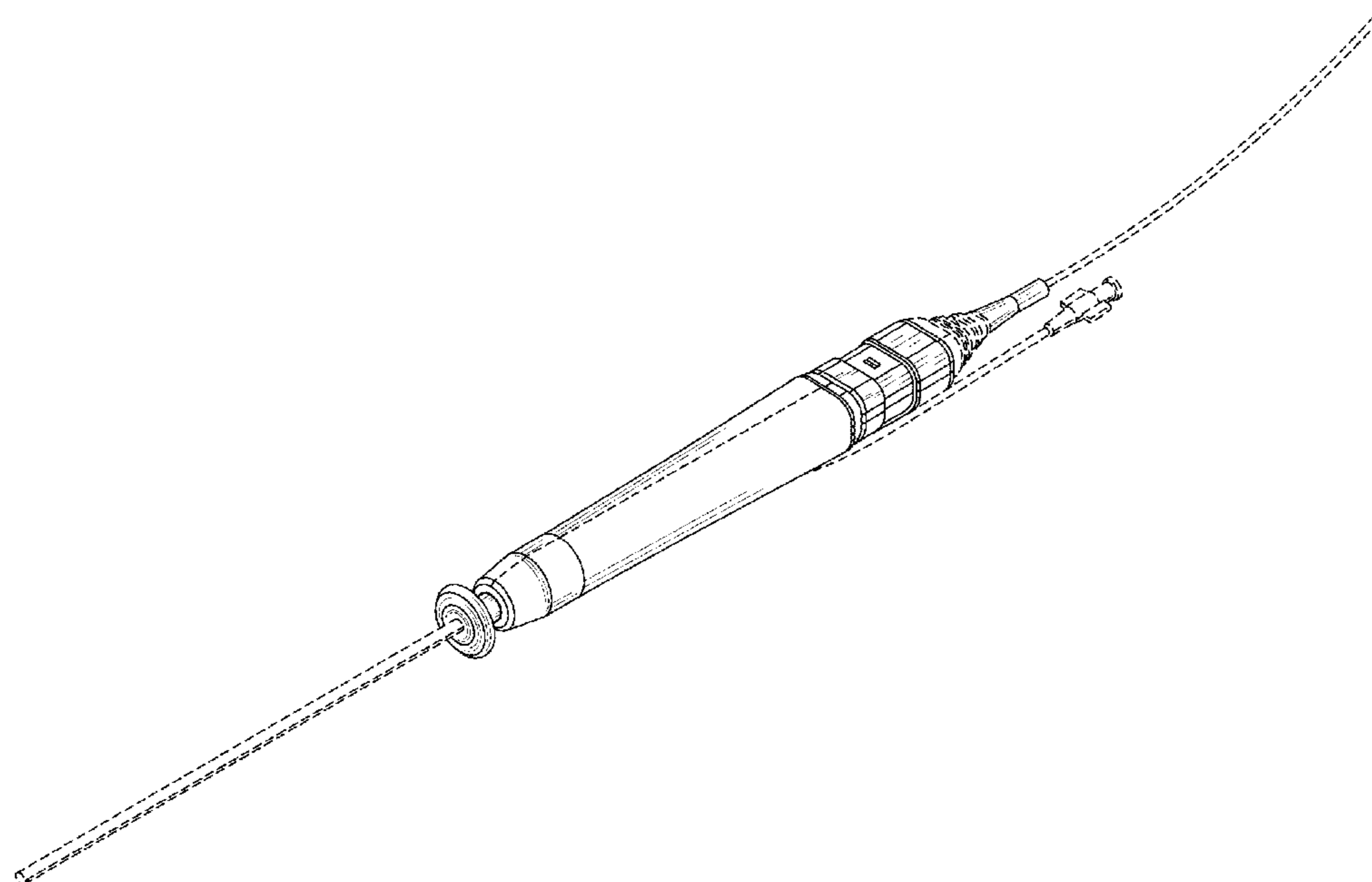
We claim the ornamental design for a handle shell, as shown and described.

DESCRIPTION

FIG. 1 is a front perspective view of a design of the handle shell in accordance with the invention; FIG. 2 is a bottom perspective view thereof; FIG. 3 is a top plan view thereof; FIG. 4 is a bottom plan view thereof; FIG. 5 is a front elevation view thereof; FIG. 6 is a rear elevation view thereof; FIG. 7 is a right-side elevation view thereof; and, FIG. 8 is a left-side elevation view thereof. The features shown in broken lines depict environmental subject matter only and form no part of the claimed design.

1 Claim, 6 Drawing Sheets

(56) **References Cited**
U.S. PATENT DOCUMENTS
D619,707 S * 7/2010 East A61B 17/4241 D24/133
D668,757 S * 10/2012 McCrary D24/108



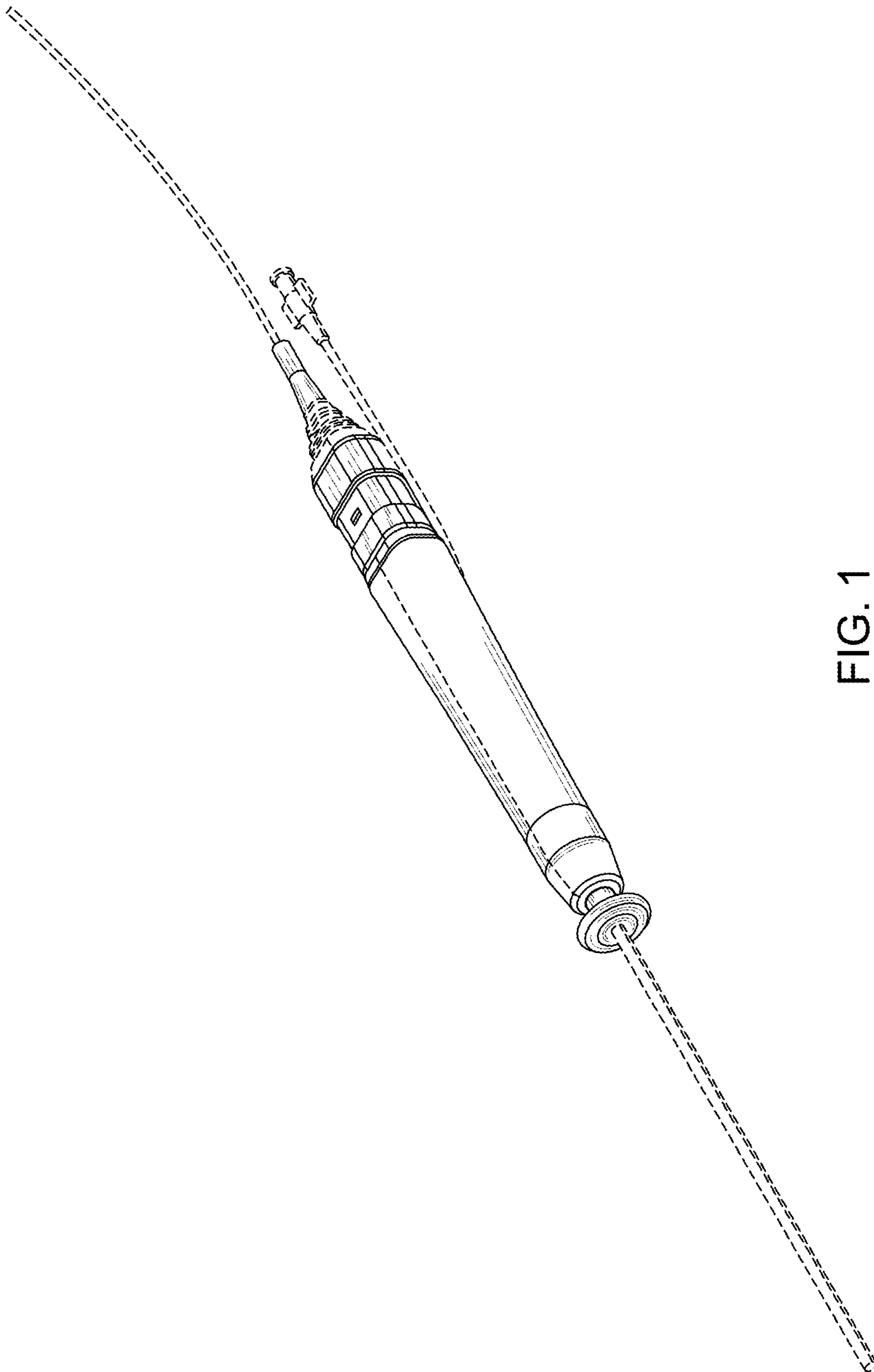


FIG. 1

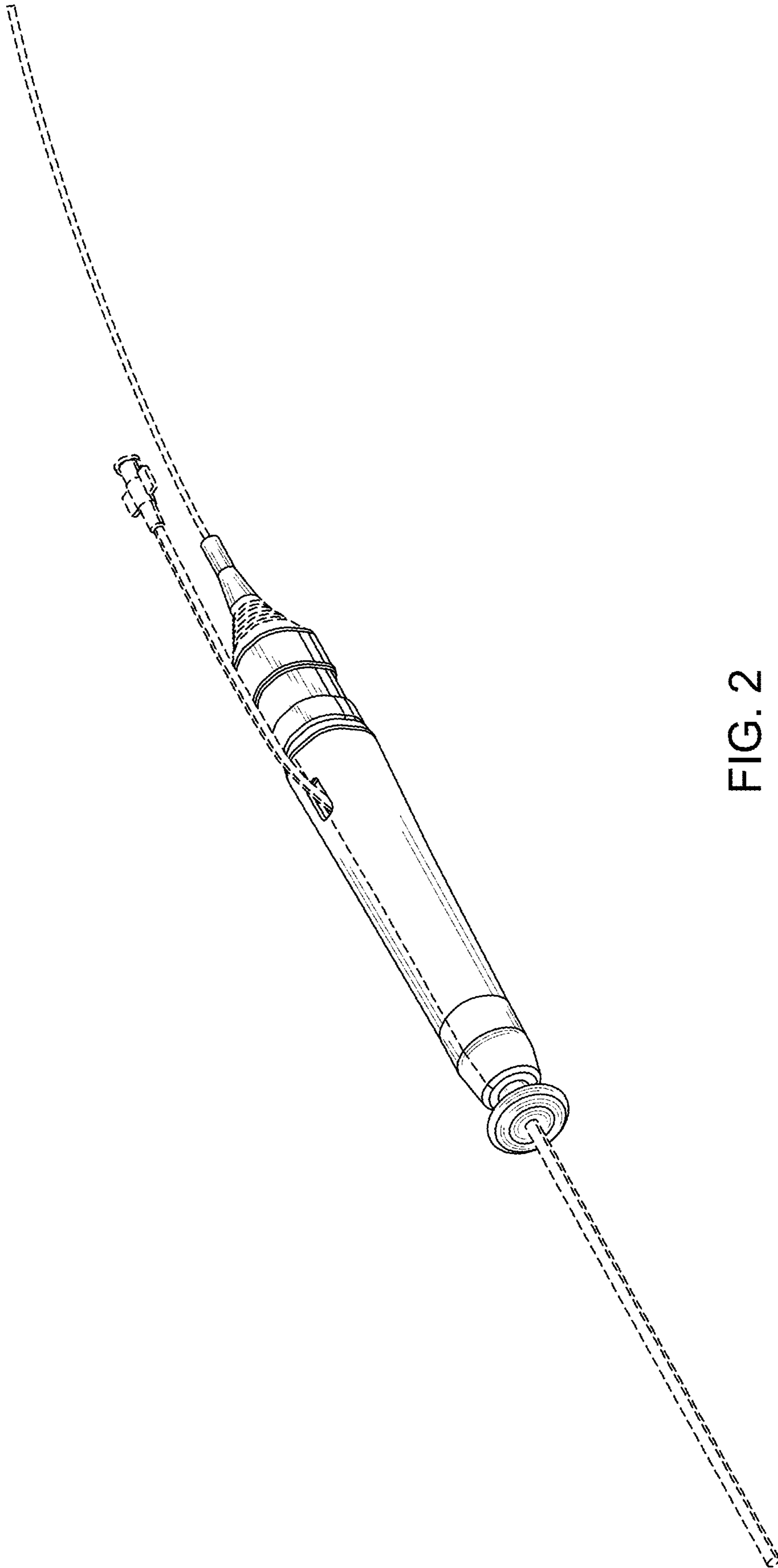


FIG. 2

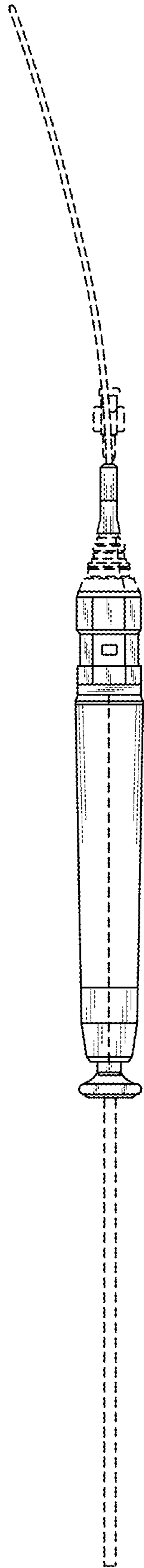


FIG. 3

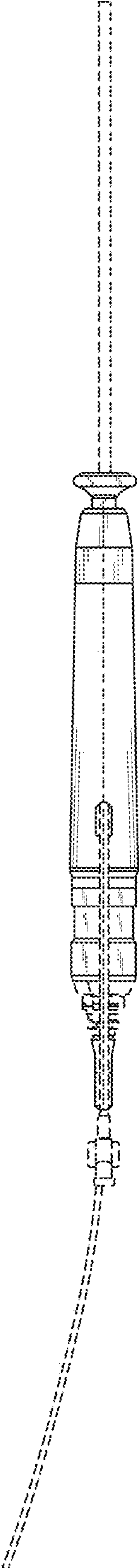


FIG. 4

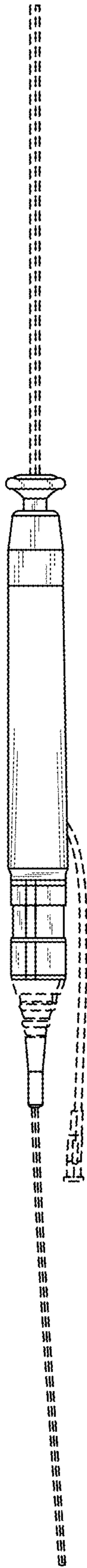


FIG. 5

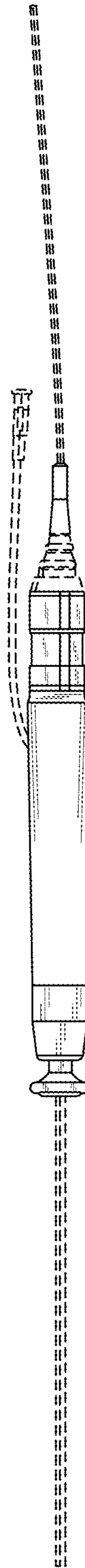


FIG. 6

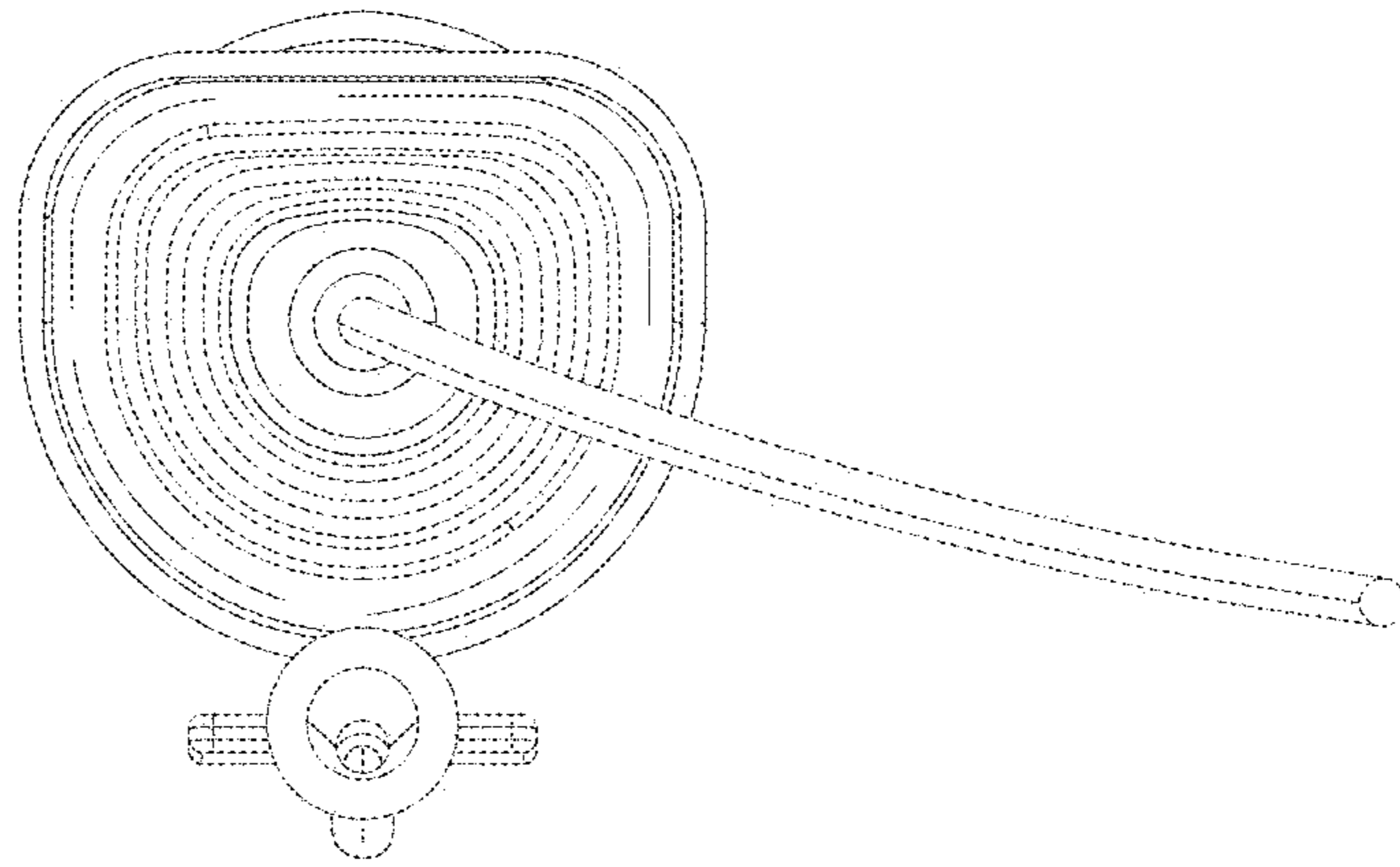


FIG. 7

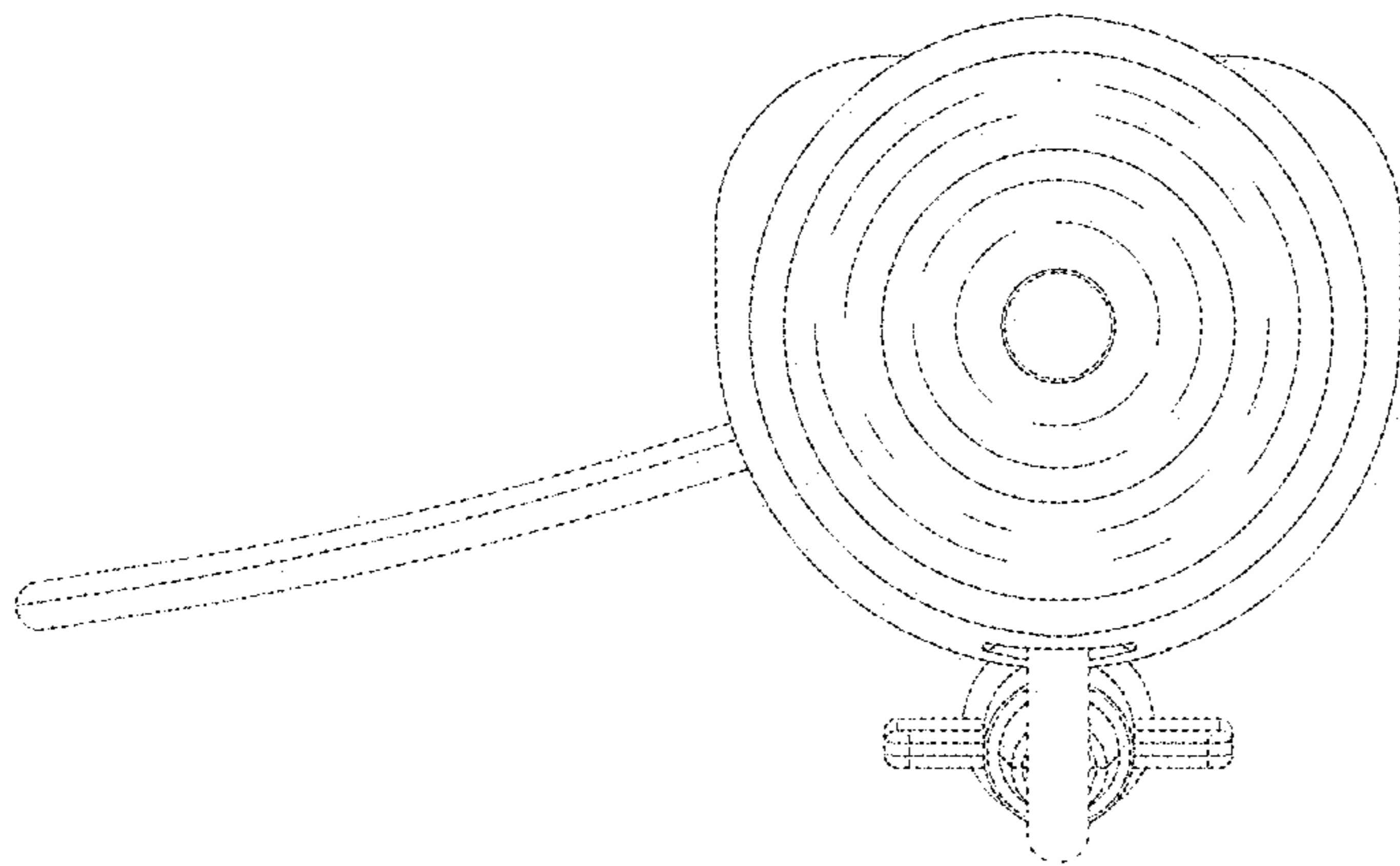


FIG. 8