



US00D893012S

(12) **United States Design Patent**  
**Holmes Bradley**

(10) **Patent No.:** **US D893,012 S**

(45) **Date of Patent:** **\*\* Aug. 11, 2020**

(54) **CEILING FAN**

(71) Applicant: **Hunter Fan Company**, Memphis, TN (US)

(72) Inventor: **Christine Marie Holmes Bradley**, Memphis, TN (US)

(73) Assignee: **Hunter Fan Company**, Memphis, TN (US)

(\*\*) Term: **15 Years**

(21) Appl. No.: **29/644,594**

(22) Filed: **Apr. 19, 2018**

(51) **LOC (12) Cl.** ..... **23-04**

(52) **U.S. Cl.**  
USPC ..... **D23/377**

(58) **Field of Classification Search**  
USPC ..... D23/370-385, 411-414; D12/214, 339, D12/344; D26/49, 59, 72, 89, 118, 124  
CPC ..... F04D 25/088; F04D 29/38; F04D 29/384; F04D 29/386; F21V 33/0096  
See application file for complete search history.

(56) **References Cited**

**U.S. PATENT DOCUMENTS**

D523,951 S	*	6/2006	Pickett	.....	D23/411
D547,433 S	*	7/2007	Wang	.....	D23/411
D594,543 S	*	6/2009	Pan	.....	D23/377
D594,957 S	*	6/2009	Pickett	.....	D23/377
D620,581 S	*	7/2010	Chen	.....	D23/377
D627,870 S	*	11/2010	Wang	.....	D23/411
D628,286 S	*	11/2010	Yang	.....	D23/411
D648,843 S	*	11/2011	Chen	.....	D23/411
D671,202 S	*	11/2012	Searle	.....	D23/377
D707,807 S	*	6/2014	Pan	.....	D23/377
D714,925 S	*	10/2014	Pan	.....	D23/377
D715,919 S	*	10/2014	Pan	.....	D23/411

D804,632 S	*	12/2017	Holmes	.....	D23/377
D804,634 S	*	12/2017	Holmes	.....	D23/377
D810,912 S	*	2/2018	McRoberts	.....	D23/377
D810,914 S	*	2/2018	Badarello	.....	D23/377
D810,916 S	*	2/2018	Holmes	.....	D23/377
D827,805 S	*	9/2018	Biancuzzo	.....	D23/377
D827,806 S	*	9/2018	Biancuzzo	.....	D23/377
D834,173 S	*	11/2018	Holmes	.....	D23/411
D872,849 S	*	1/2020	Holmes	.....	D23/377
D878,541 S	*	3/2020	Holmes	.....	D23/377
2017/0045197 A1	*	2/2017	Rossi	.....	F21V 1/08

\* cited by examiner

*Primary Examiner* — Cathron C Brooks

*Assistant Examiner* — Sharon S Oum

(74) *Attorney, Agent, or Firm* — McGarry Bair PC

(57) **CLAIM**

The ornamental design for a ceiling fan, as shown and described.

**DESCRIPTION**

FIG. 1 is a top perspective view of a ceiling fan, showing my new design;

FIG. 2 is a bottom perspective view of the ceiling fan of FIG. 1;

FIG. 3 is a top view of the ceiling fan of FIG. 1;

FIG. 4 is a bottom view of the ceiling fan of FIG. 1;

FIG. 5 is a front view of the ceiling fan of FIG. 1;

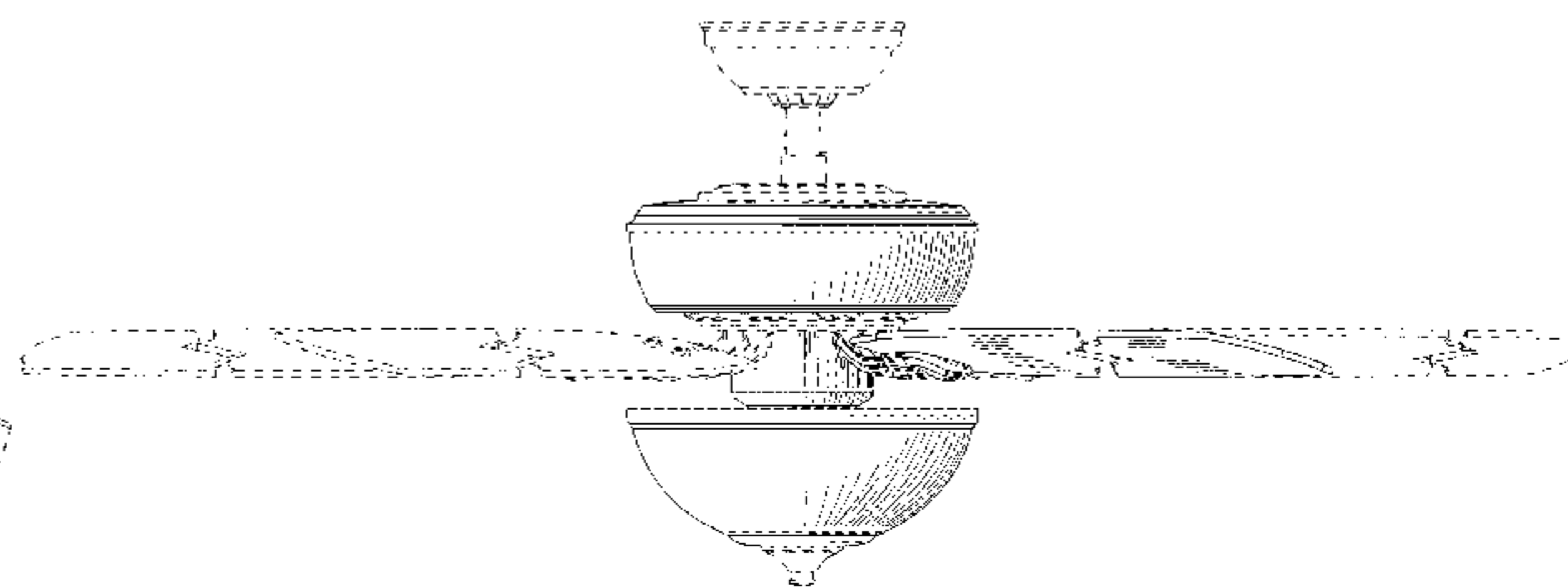
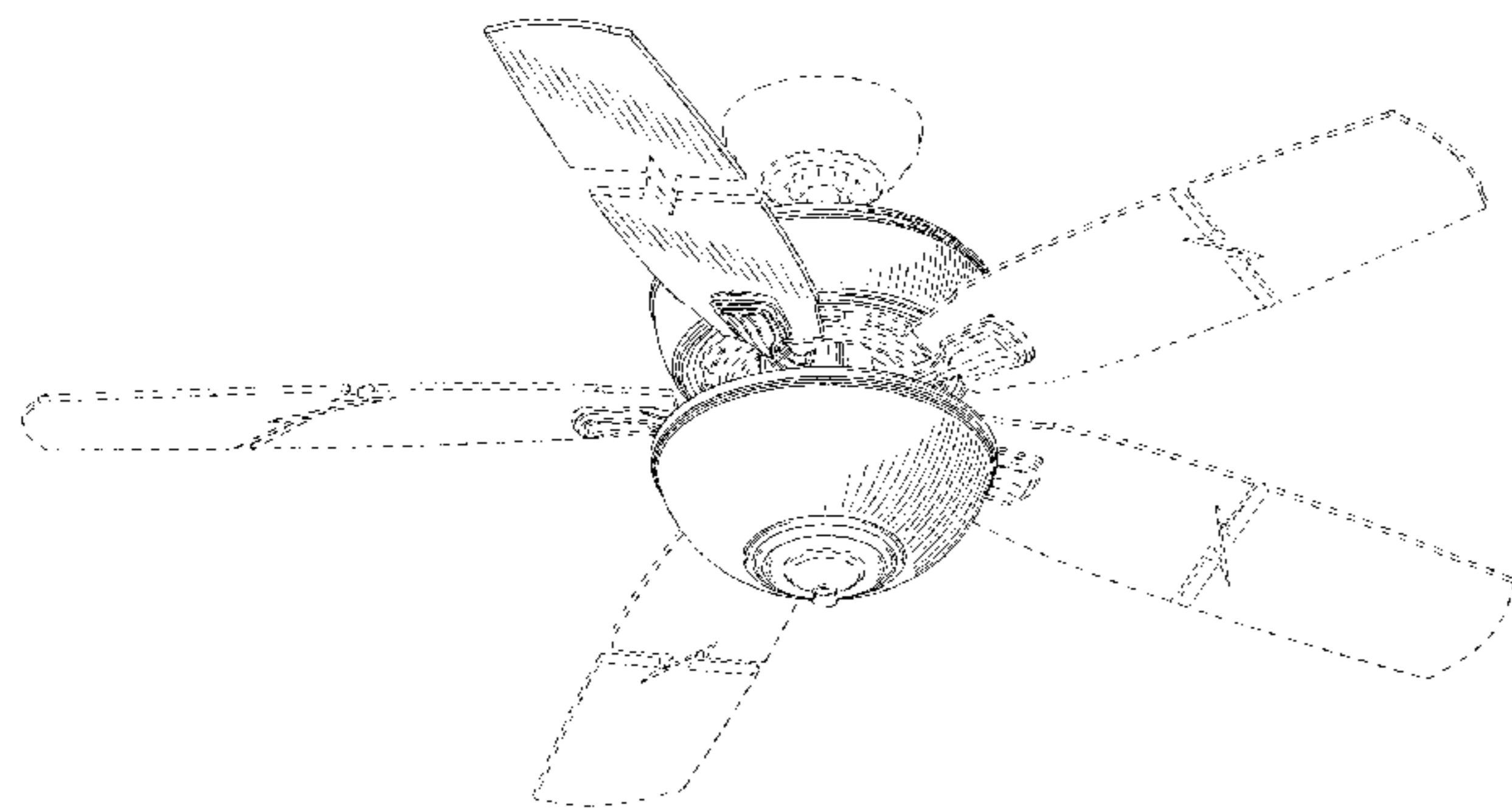
FIG. 6 is a rear view of the ceiling fan of FIG. 1;

FIG. 7 is a left side view of the ceiling fan of FIG. 1; and,

FIG. 8 is a right side view of the ceiling fan of FIG. 1.

Portions of the ceiling fan shown in broken lines form no part of the claimed design. The ceiling fan blades are shown with a symbolic break in their length. The appearance of any portion of the ceiling fan blades between the break lines forms no part of the claimed design.

**1 Claim, 8 Drawing Sheets**



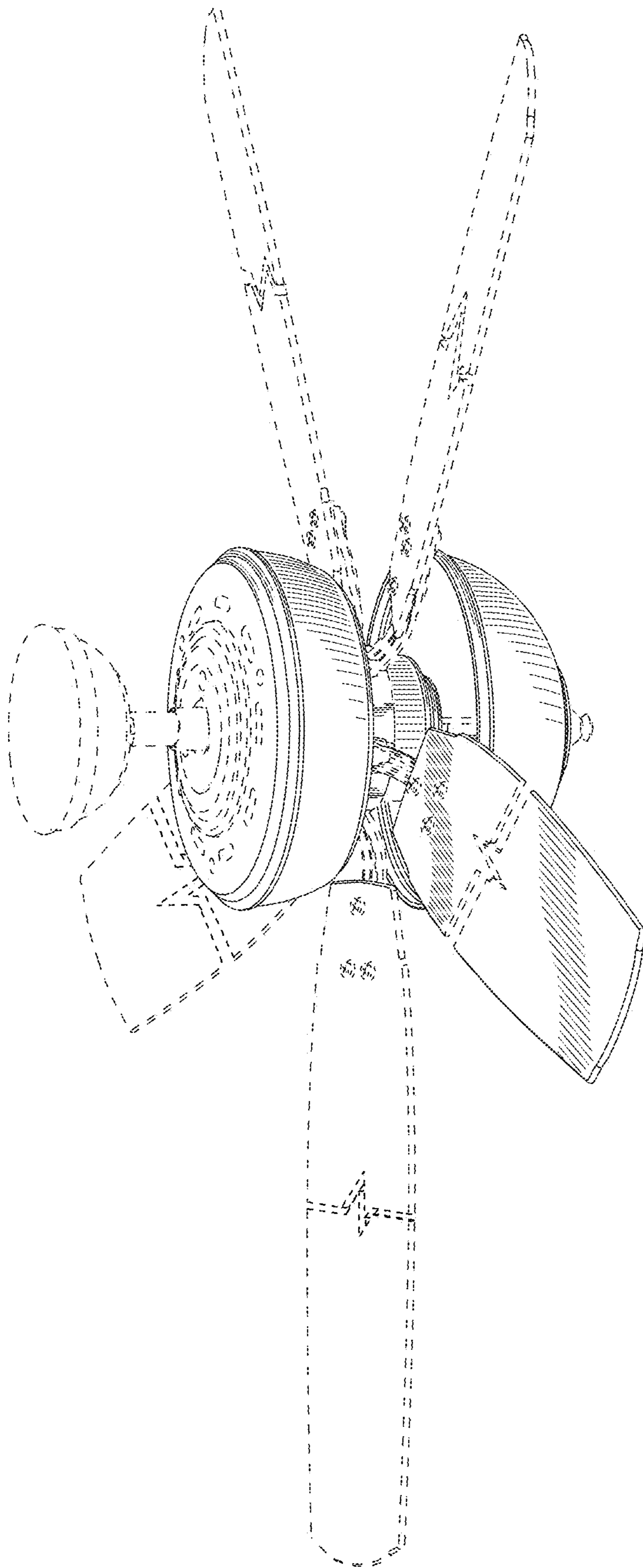


FIG. 1

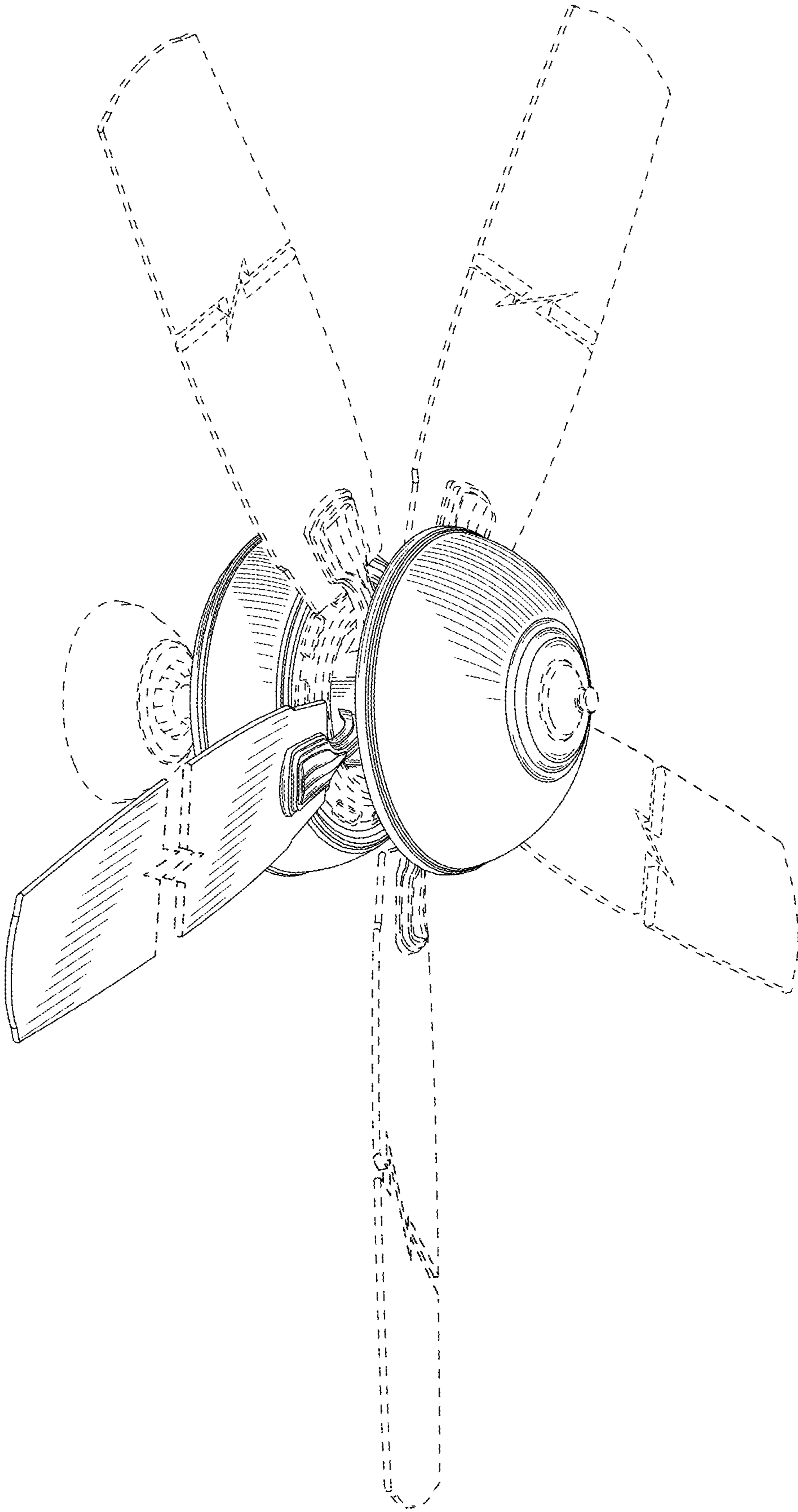


FIG. 2

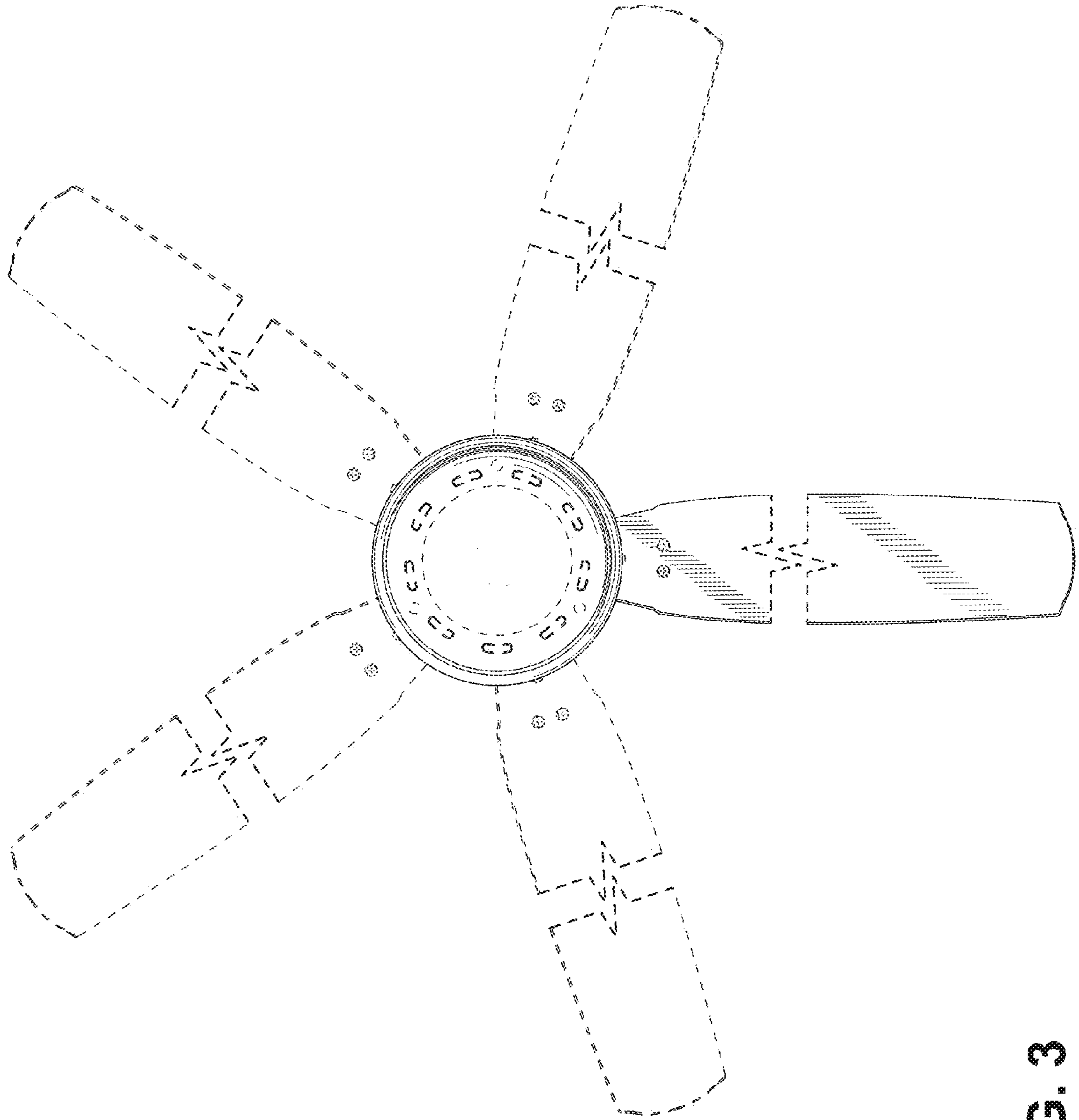


FIG. 3

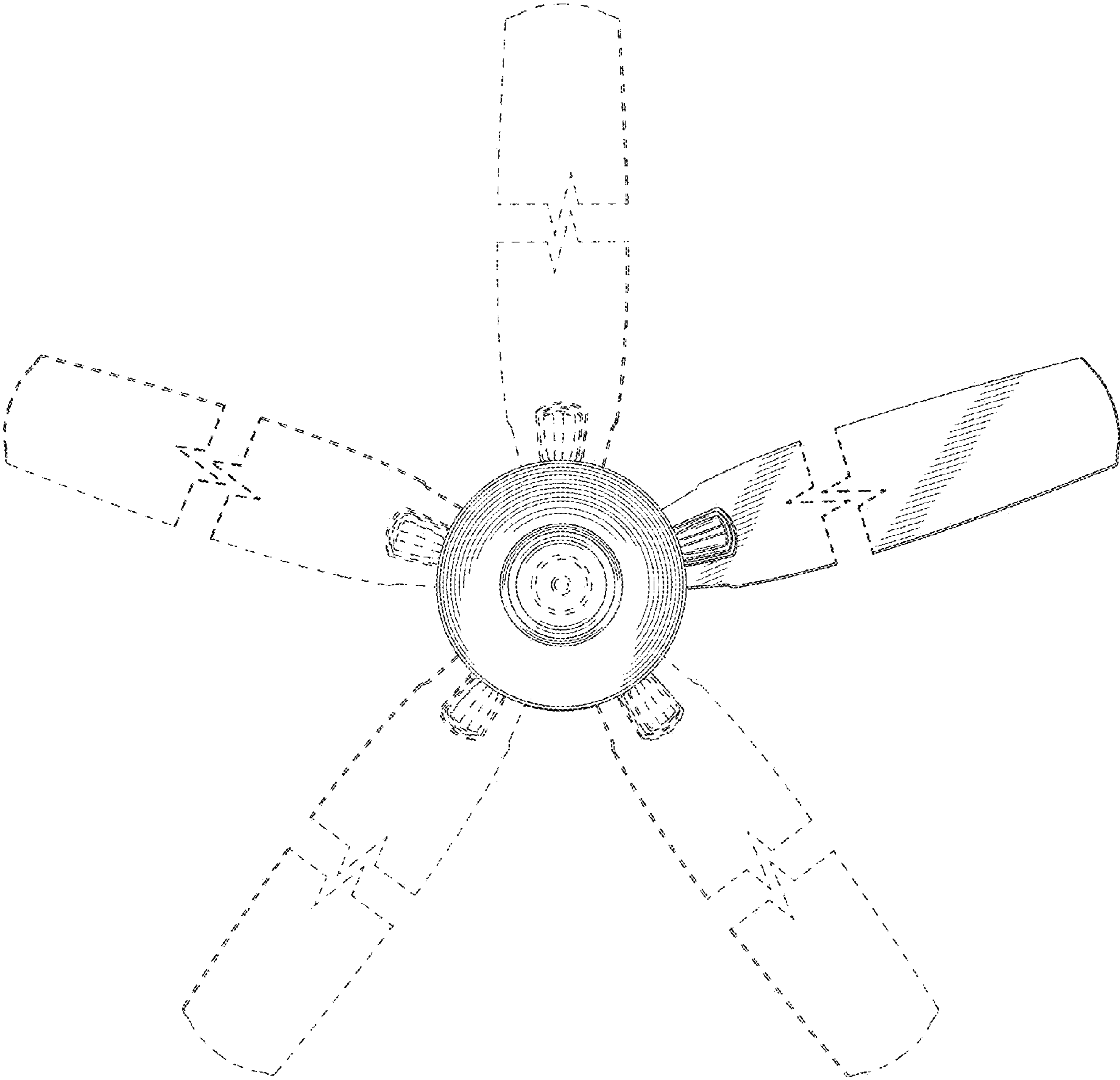


FIG. 4

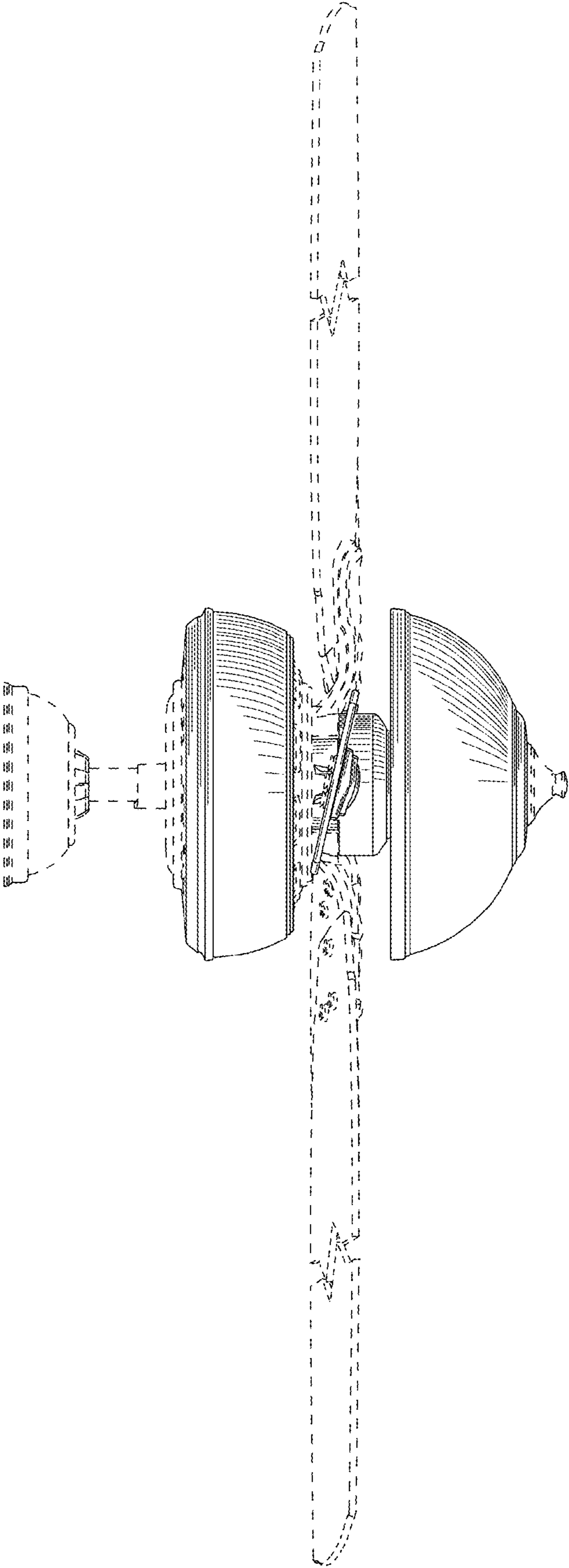


FIG. 5

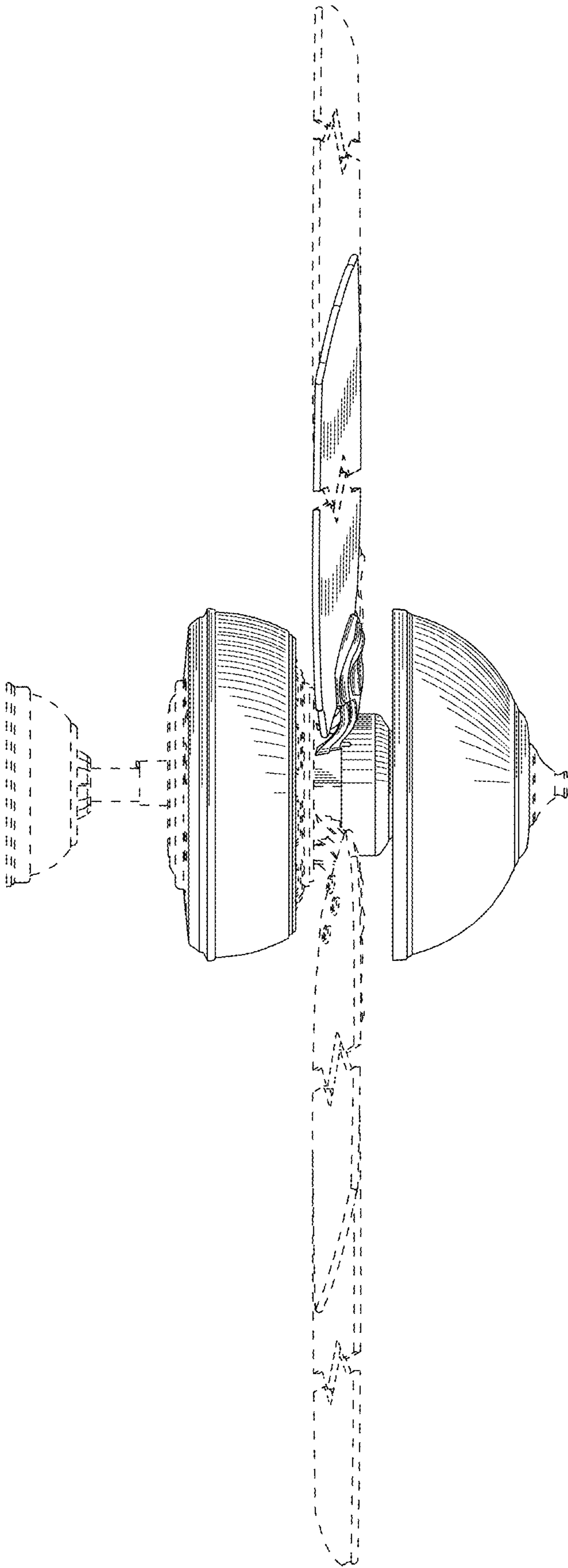


FIG. 6

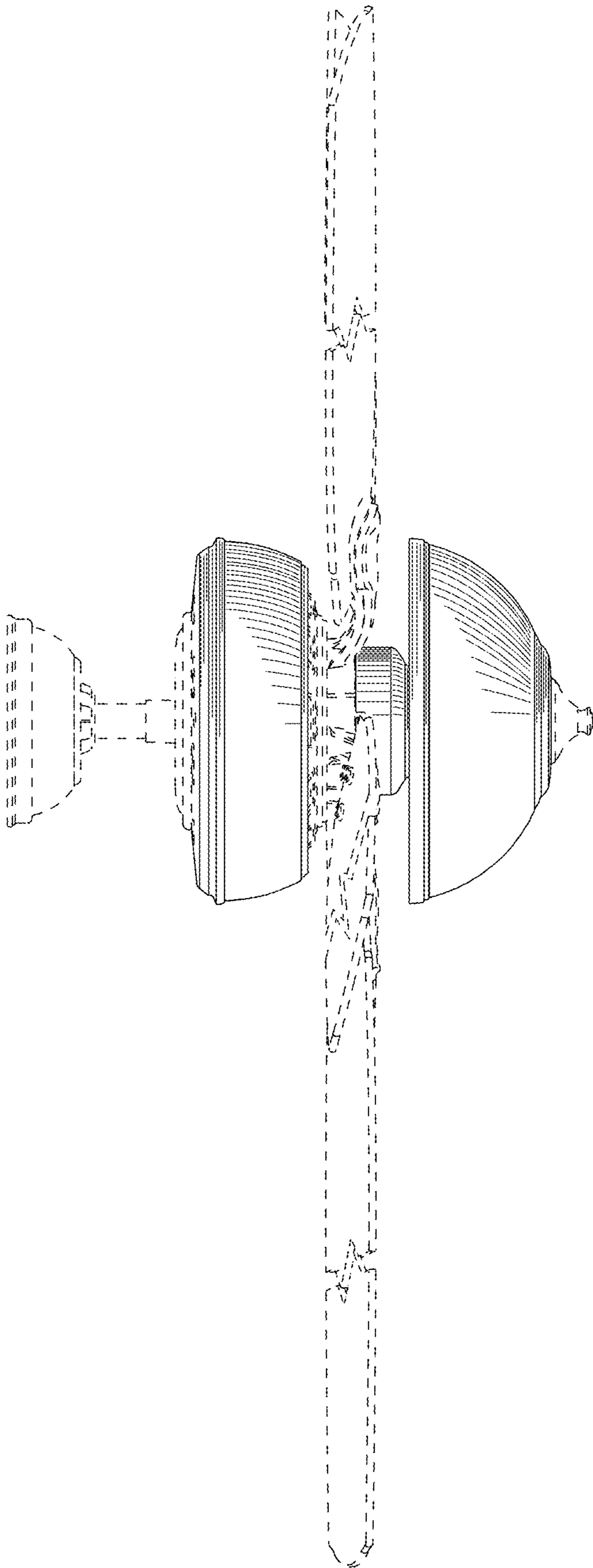


FIG. 7



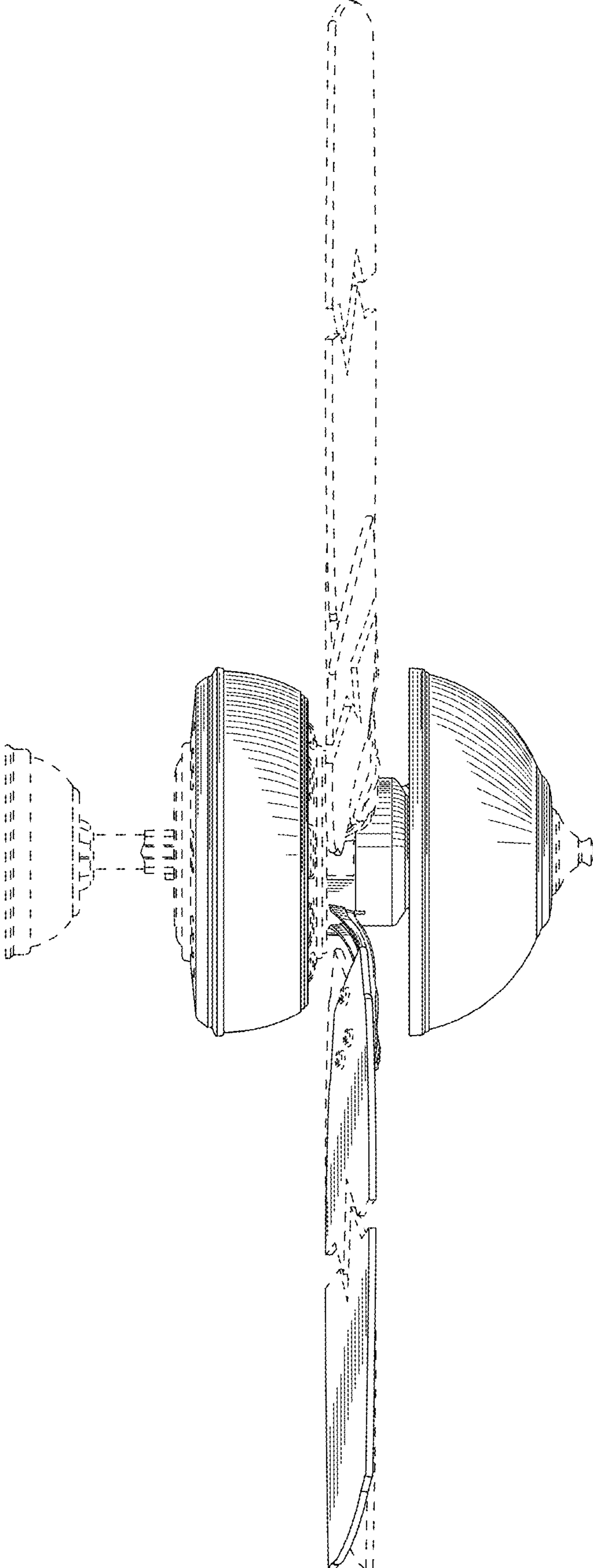


FIG. 8