



US00D893009S

(12) **United States Design Patent**  
**Choi**

(10) **Patent No.:** **US D893,009 S**

(45) **Date of Patent:** **\*\* Aug. 11, 2020**

(54) **AIR PURIFIER**

(71) Applicant: **COWAY CO., LTD.**,  
Choongcheongnam-do (KR)

(72) Inventor: **Jongho Choi**, Seoul (KR)

(73) Assignee: **COWAY CO., LTD.**,  
Choongcheongnam-do (KR)

(\*\*) Term: **15 Years**

(21) Appl. No.: **29/667,755**

(22) Filed: **Oct. 24, 2018**

(30) **Foreign Application Priority Data**

Apr. 30, 2018 (KR) ..... 30-2018-0020136

(51) **LOC (12) Cl.** ..... **23-04**

(52) **U.S. Cl.**  
USPC ..... **D23/364**

(58) **Field of Classification Search**

USPC ..... D23/355-366, 352, 369, 332, 333, 335,  
D23/336, 342, 351; 422/120, 122;  
55/356, 473, 504; 96/97; 261/DIG. 17,  
261/DIG. 65, DIG. 88, DIG. 31  
CPC .. A61L 9/16; A61L 9/22; B01D 47/00; B01D  
47/027; B01D 2221/02; B01D 2259/4508;  
B03C 3/155; B03C 3/368; F24F 3/16;  
F24F 13/20; F24F 13/28

See application file for complete search history.

(56) **References Cited**

**U.S. PATENT DOCUMENTS**

D755,942 S \* 5/2016 Kim ..... D23/364  
D802,112 S \* 11/2017 Jeon ..... D23/364

D807,997 S \* 1/2018 Seo ..... D23/364  
D827,799 S \* 9/2018 Shin ..... D23/364  
D830,528 S \* 10/2018 Zhou ..... D23/364  
D832,988 S \* 11/2018 Stoner, Jr. .... D23/355  
D841,140 S \* 2/2019 Chen ..... D23/336  
D844,126 S \* 3/2019 Sheng ..... D23/359  
D844,766 S \* 4/2019 Miao ..... D23/364  
D846,104 S \* 4/2019 Stoner, Jr. .... D23/355  
D852,344 S \* 6/2019 Hua ..... D23/364  
D861,145 S \* 9/2019 Fang ..... D23/333  
D862,673 S \* 10/2019 Tang ..... D23/364

\* cited by examiner

*Primary Examiner* — David G Muller

(74) *Attorney, Agent, or Firm* — Millen, White, Zelano &  
Branigan, P.C.; William Nixon

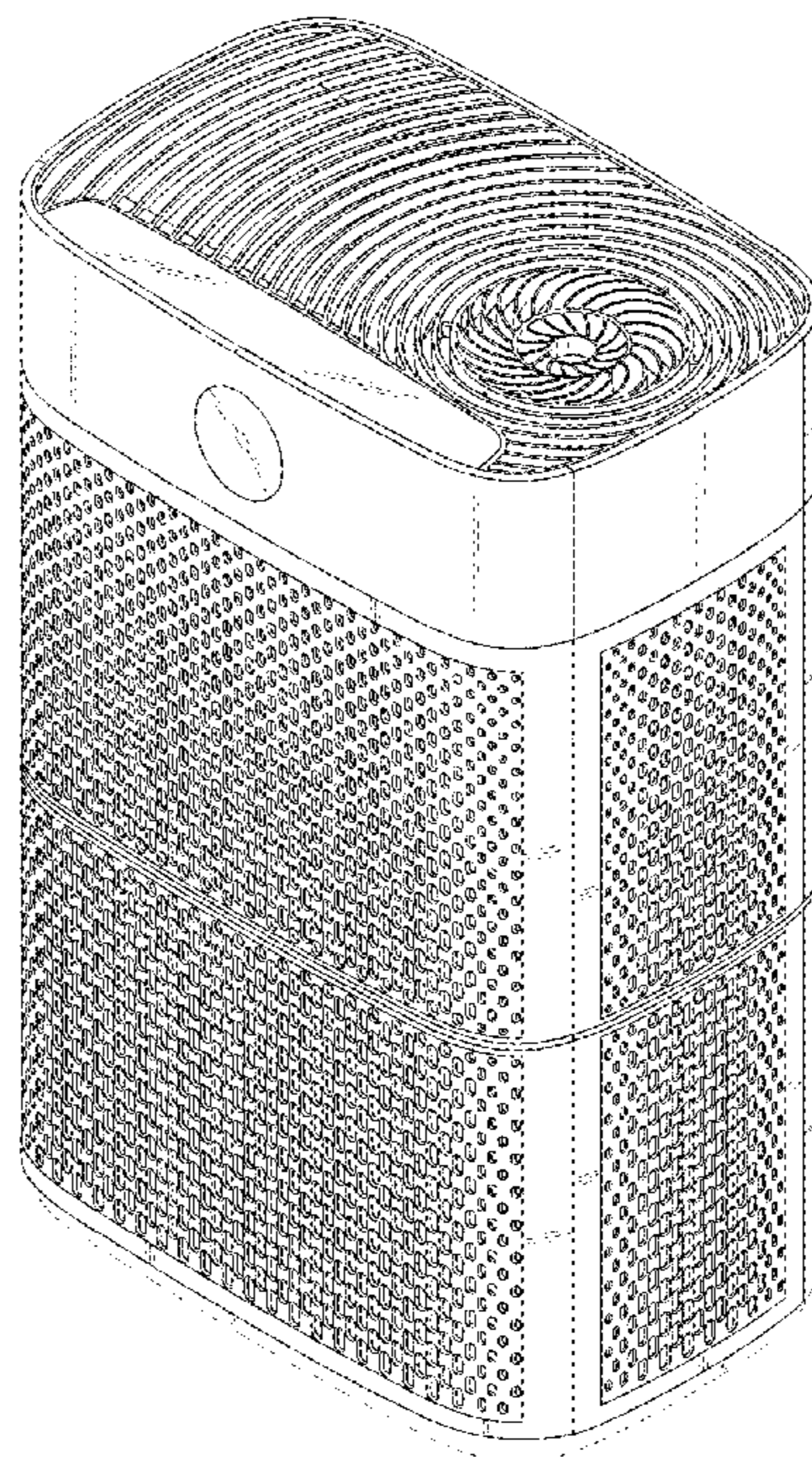
(57) **CLAIM**

The ornamental design for an air purifier, as shown and described.

**DESCRIPTION**

FIG. 1 illustrates a front perspective view of the air purifier showing my new design;  
FIG. 2 illustrates a front elevational view thereof;  
FIG. 3 illustrates a rear elevational view thereof;  
FIG. 4 illustrates a left side elevational view thereof;  
FIG. 5 illustrates a right side elevational view thereof;  
FIG. 6 illustrates a top plan view thereof; and,  
FIG. 7 illustrates a bottom plan view thereof.  
The broken line showing of parts of the drawings is included for the purpose of illustrating use and environment and forms no part of the claimed design.

**1 Claim, 7 Drawing Sheets**



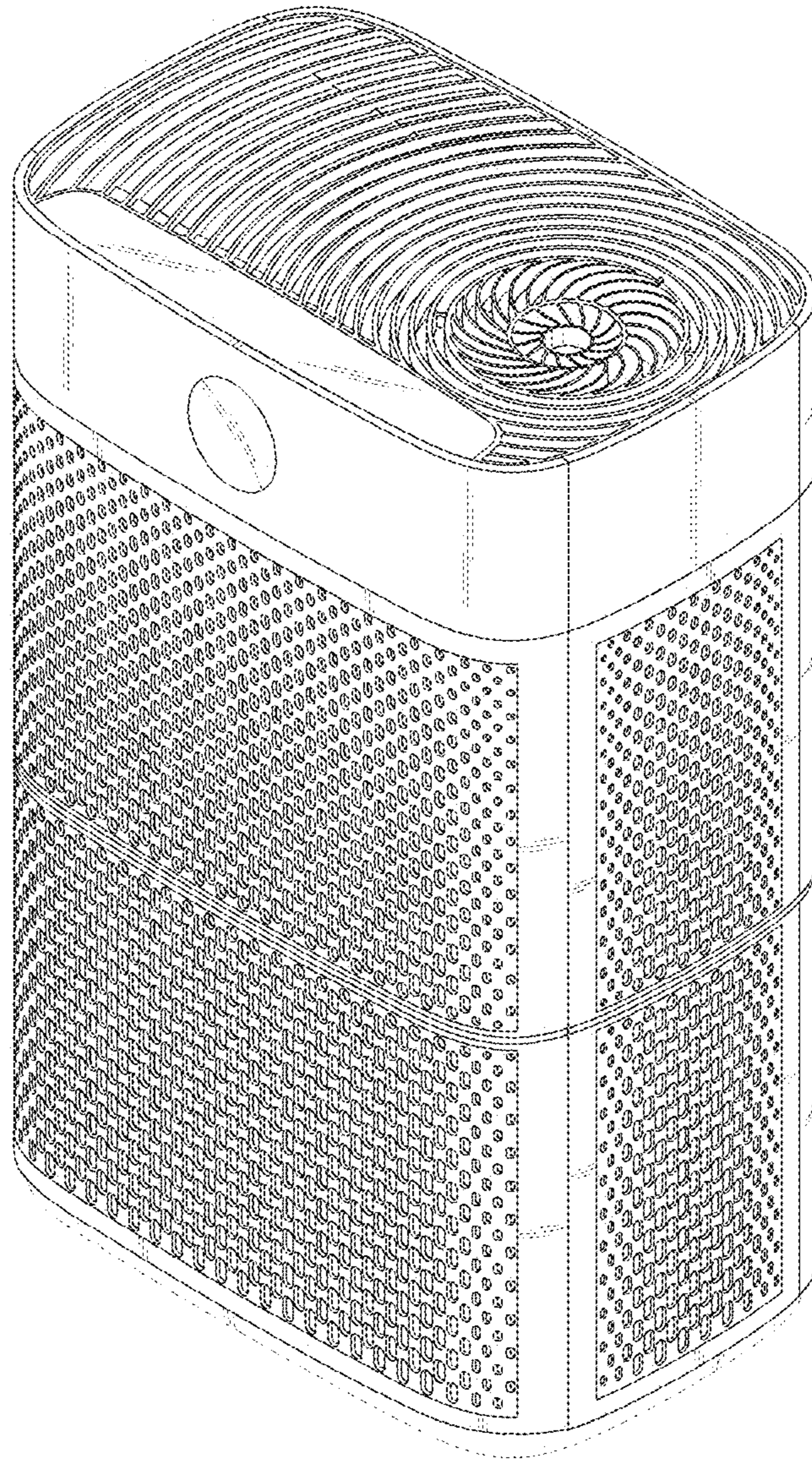


FIG. 1

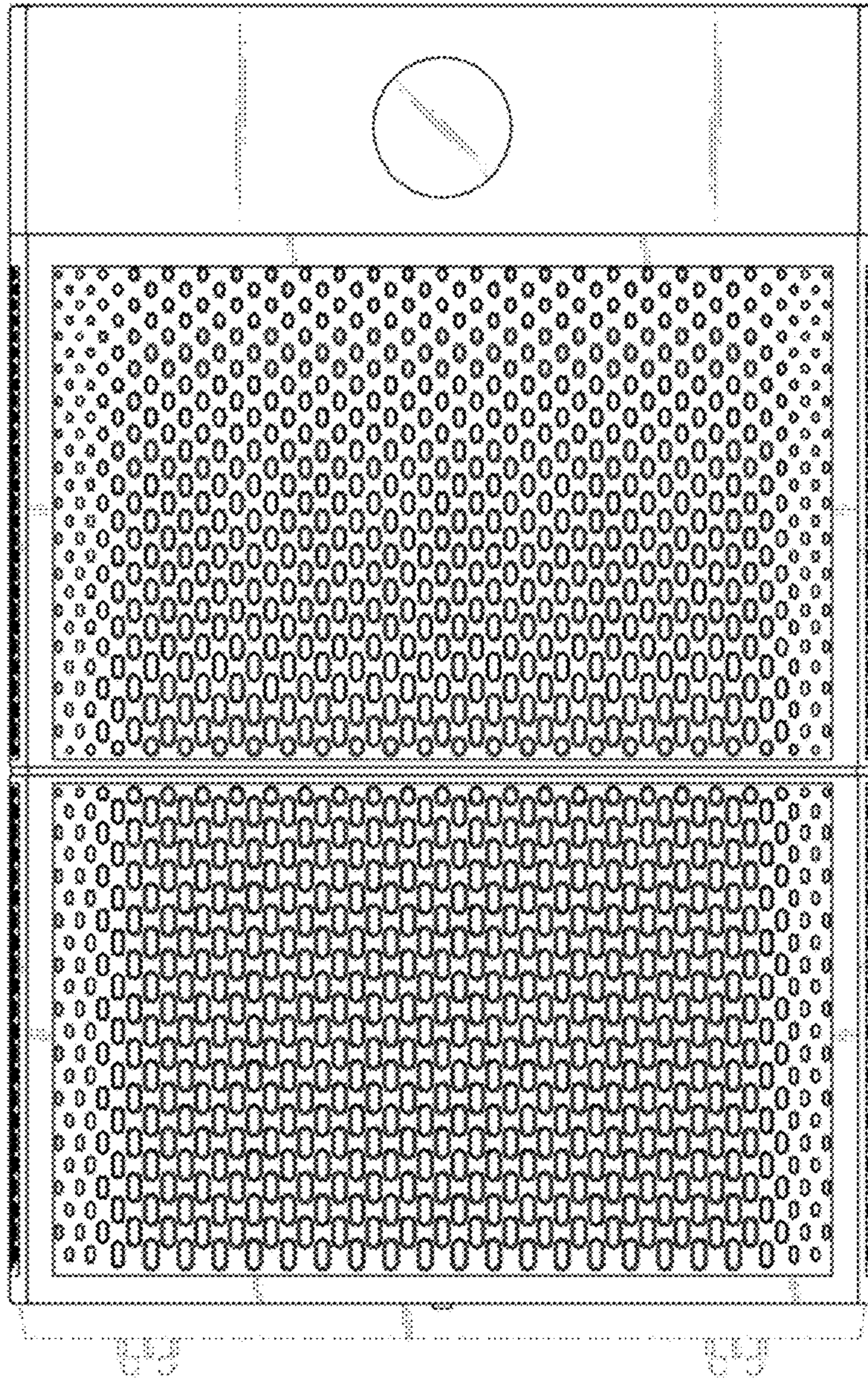


FIG. 2

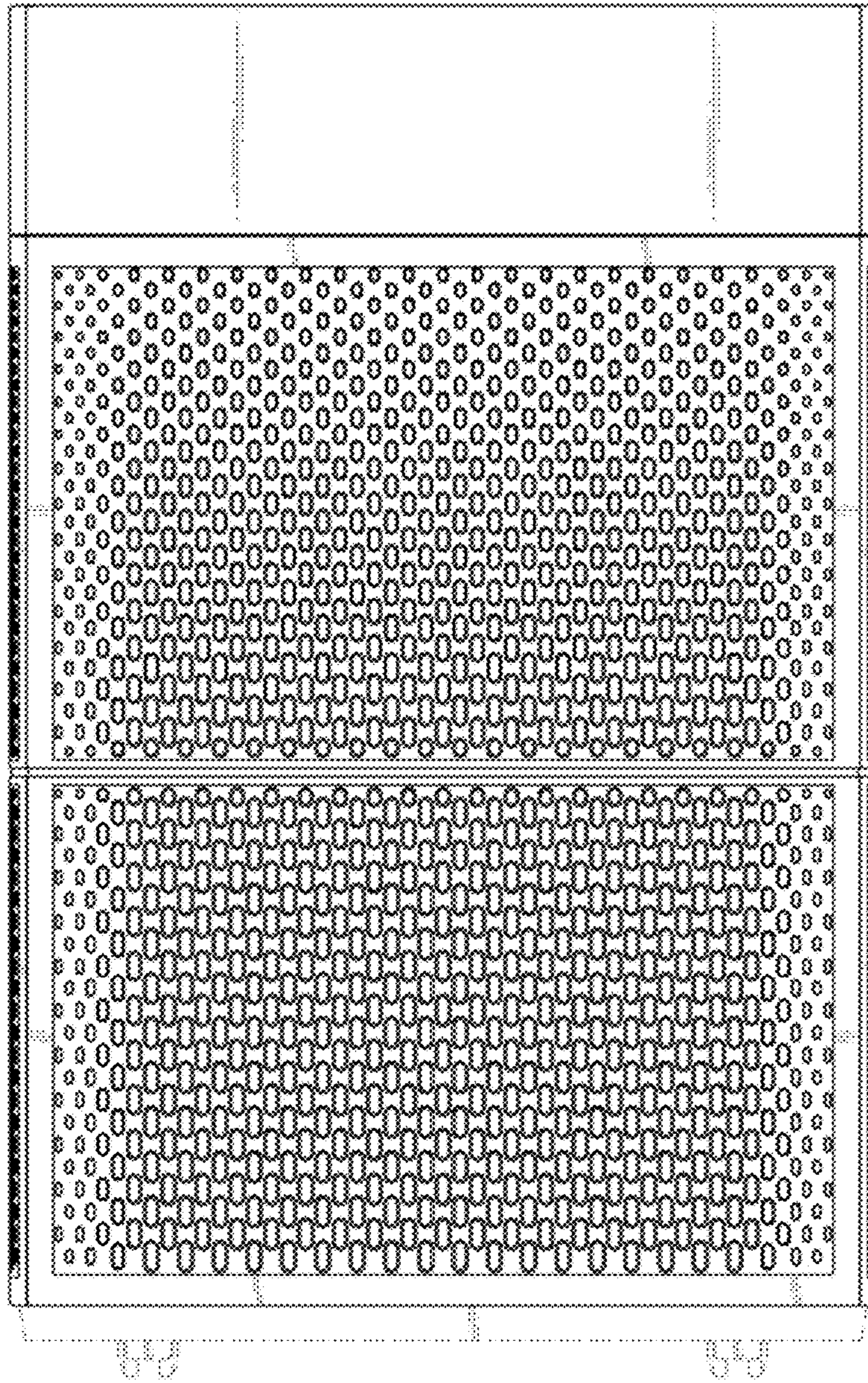


FIG. 3

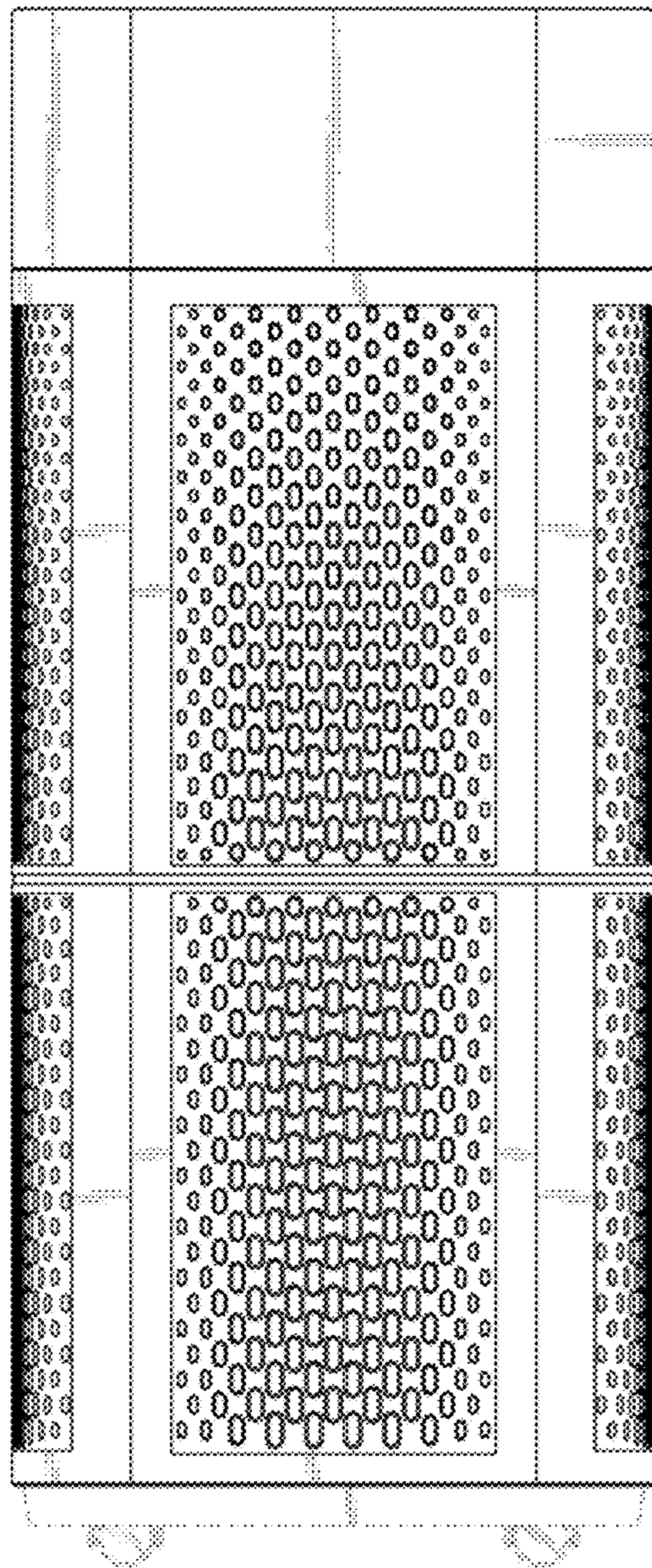


FIG. 4

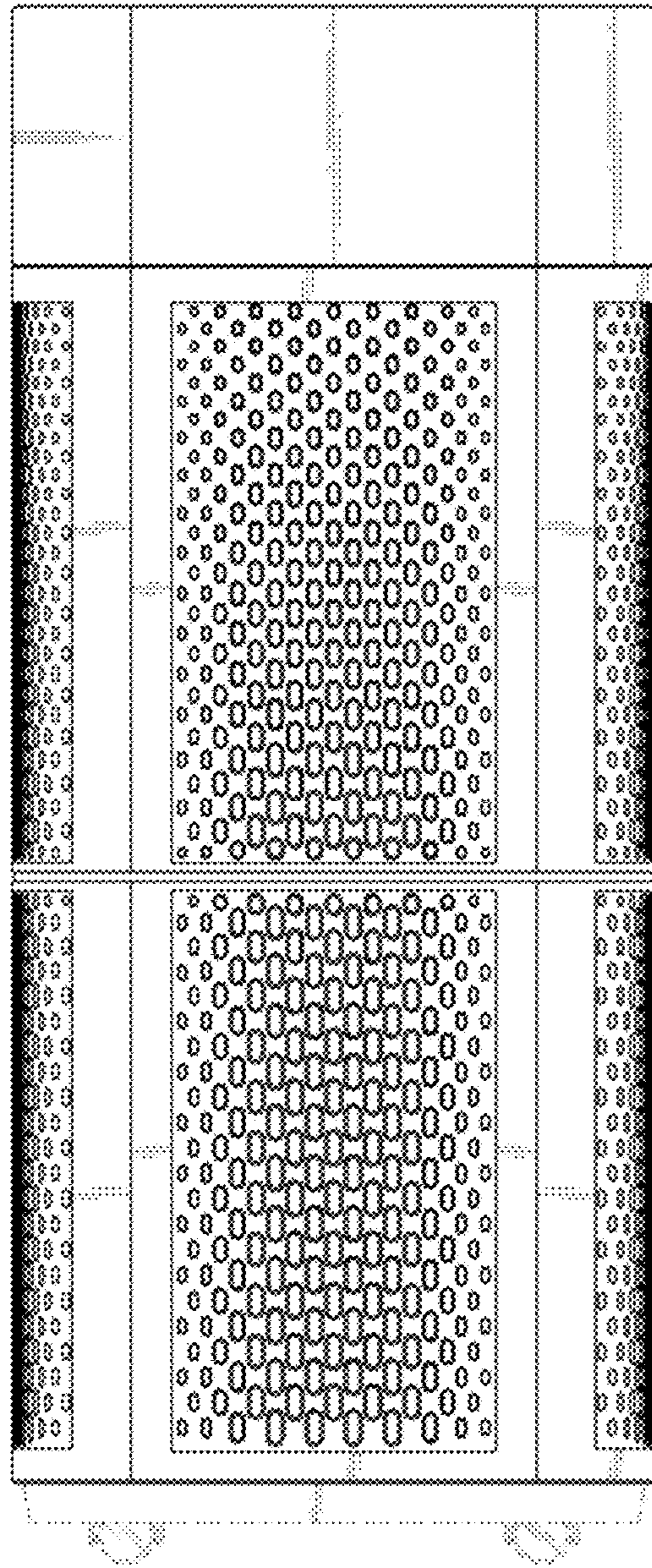
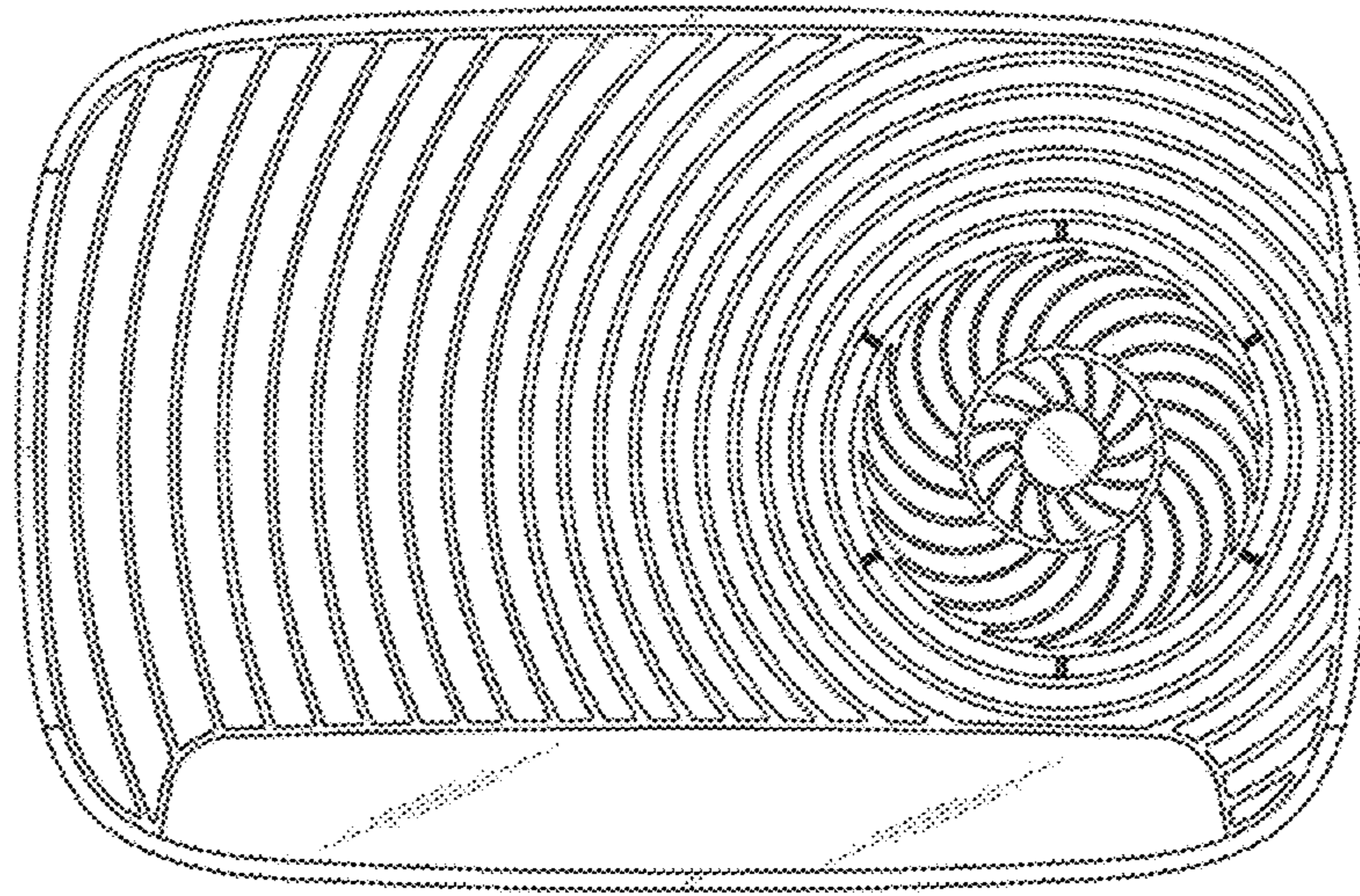
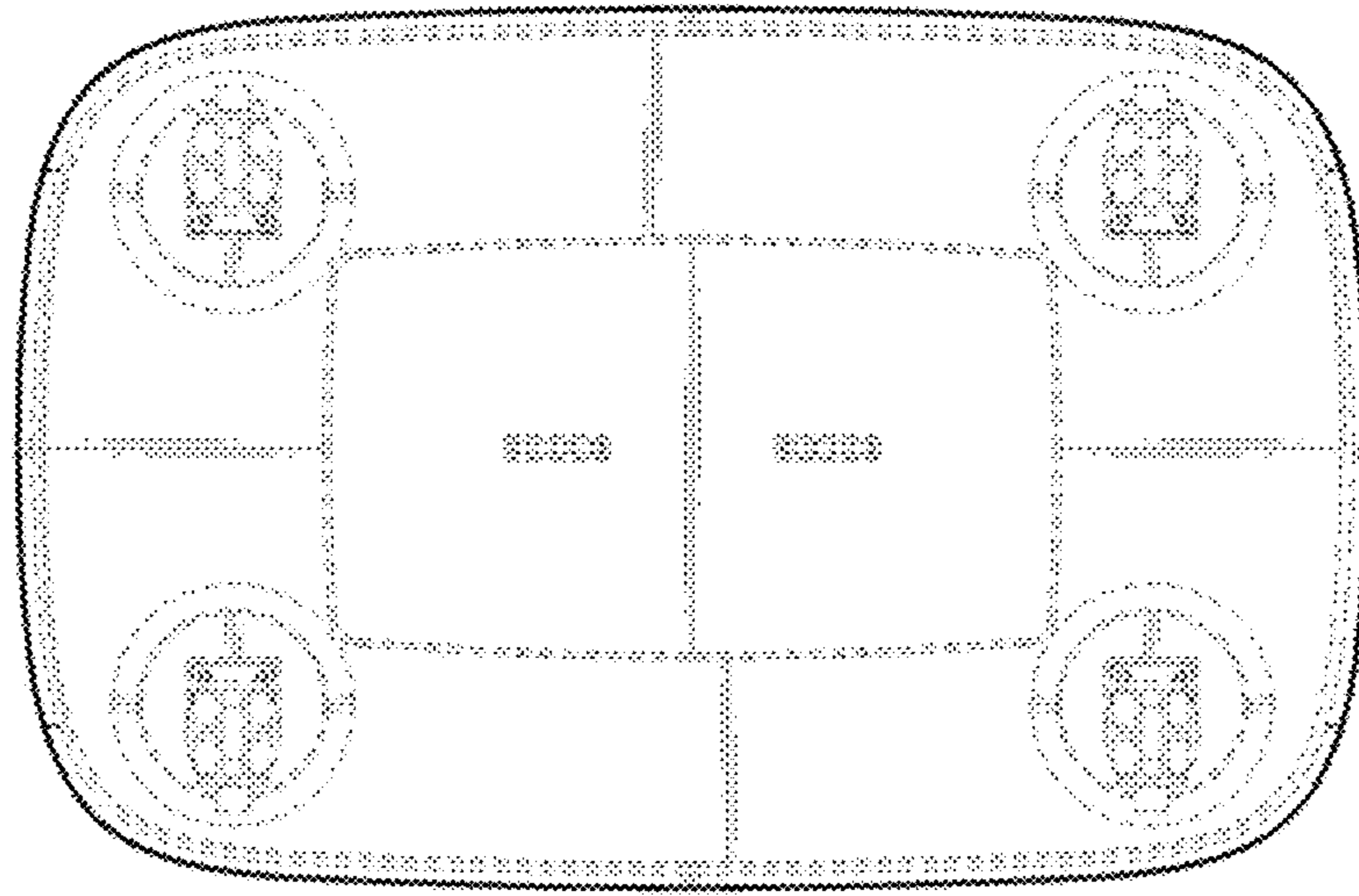


FIG. 5



**FIG. 6**



**FIG. 7**