



US00D893008S

(12) **United States Design Patent** (10) **Patent No.:** **US D893,008 S**
Xu (45) **Date of Patent:** **** Aug. 11, 2020**

(54) **HUMIDIFIER**

(71) Applicant: **POWER BEAUTY (DONGGUAN) INDUSTRIAL CO., LTD.**, Dongguan (CN)

(72) Inventor: **Yiqun Xu**, Dongguan (CN)

(73) Assignee: **POWER BEAUTY (DONGGUAN) INDUSTRIAL CO., LTD.**, Dongguan (CN)

(**) Term: **15 Years**

(21) Appl. No.: **29/669,950**

(22) Filed: **Nov. 13, 2018**

(51) **LOC (12) Cl.** **23-04**

(52) **U.S. Cl.**
USPC **D23/356**

(58) **Field of Classification Search**
USPC D23/355-366, 352, 369, 332, 333, 335, D23/336, 342, 351; 422/120, 122; 55/356, 473, 504; 96/97; 261/DIG. 17, 261/DIG. 65, DIG. 88, DIG. 31
CPC .. A61L 9/16; A61L 9/22; B01D 47/00; B01D 47/027; B01D 2221/02; B01D 2259/4508; B03C 3/155; B03C 3/368; F24F 3/16; F24F 13/20; F24F 13/28
See application file for complete search history.

(56) **References Cited**

U.S. PATENT DOCUMENTS

D460,168 S * 7/2002 Chen D23/364
D522,641 S * 6/2006 Matsuda D23/366

D522,642 S * 6/2006 Matsuda D23/366
D621,494 S * 8/2010 Li D23/366
D814,619 S * 4/2018 Harrison D23/364
D816,200 S * 4/2018 Hu D23/356
D820,426 S * 6/2018 Li D23/366
D828,527 S * 9/2018 Xu D23/356
D828,534 S * 9/2018 Hu D23/366
D847,964 S * 5/2019 Blakely D23/366
D849,219 S * 5/2019 Liang D23/356
D851,227 S * 6/2019 Chen D23/356
D855,784 S * 8/2019 Seo D23/358

* cited by examiner

Primary Examiner — David G Muller

(74) *Attorney, Agent, or Firm* — Law Offices of Steven Weinrieb

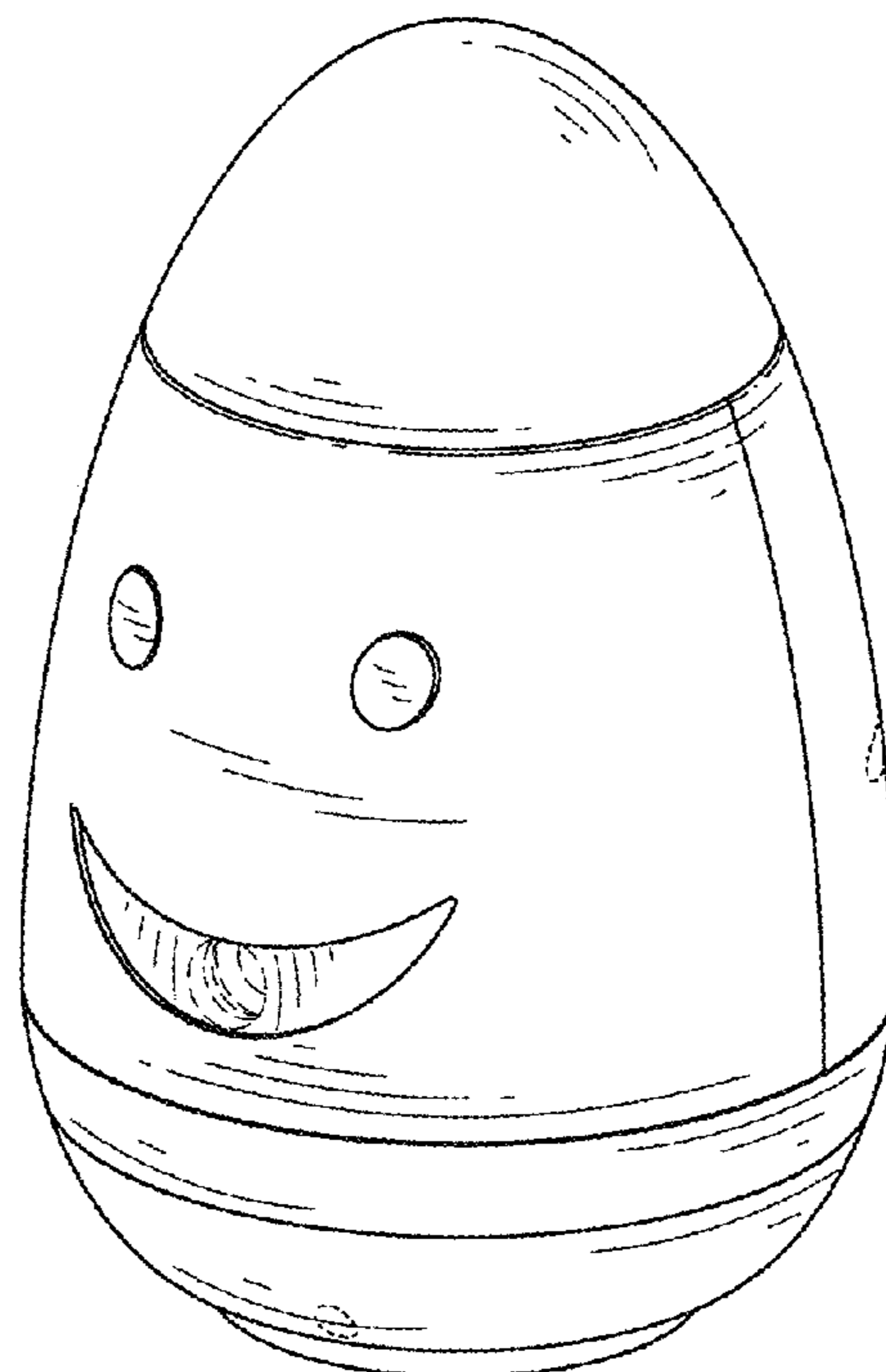
(57) **CLAIM**

The ornamental design for a humidifier, as shown and described.

DESCRIPTION

FIG. 1 is a front, right side, top perspective view of the humidifier showing my new design;
FIG. 2 is a rear, left side, bottom perspective view thereof;
FIG. 3 is a front elevational view thereof;
FIG. 4 is a rear elevational view thereof;
FIG. 5 is a left side elevational view thereof;
FIG. 6 is a right side elevational view thereof;
FIG. 7 is a top plan view thereof; and,
FIG. 8 is a bottom plan view thereof.
The broken lines immediately adjacent to the claimed portions are boundaries, all other broken lines are environmental structures; all the broken lines form no part of the claimed design.

1 Claim, 8 Drawing Sheets



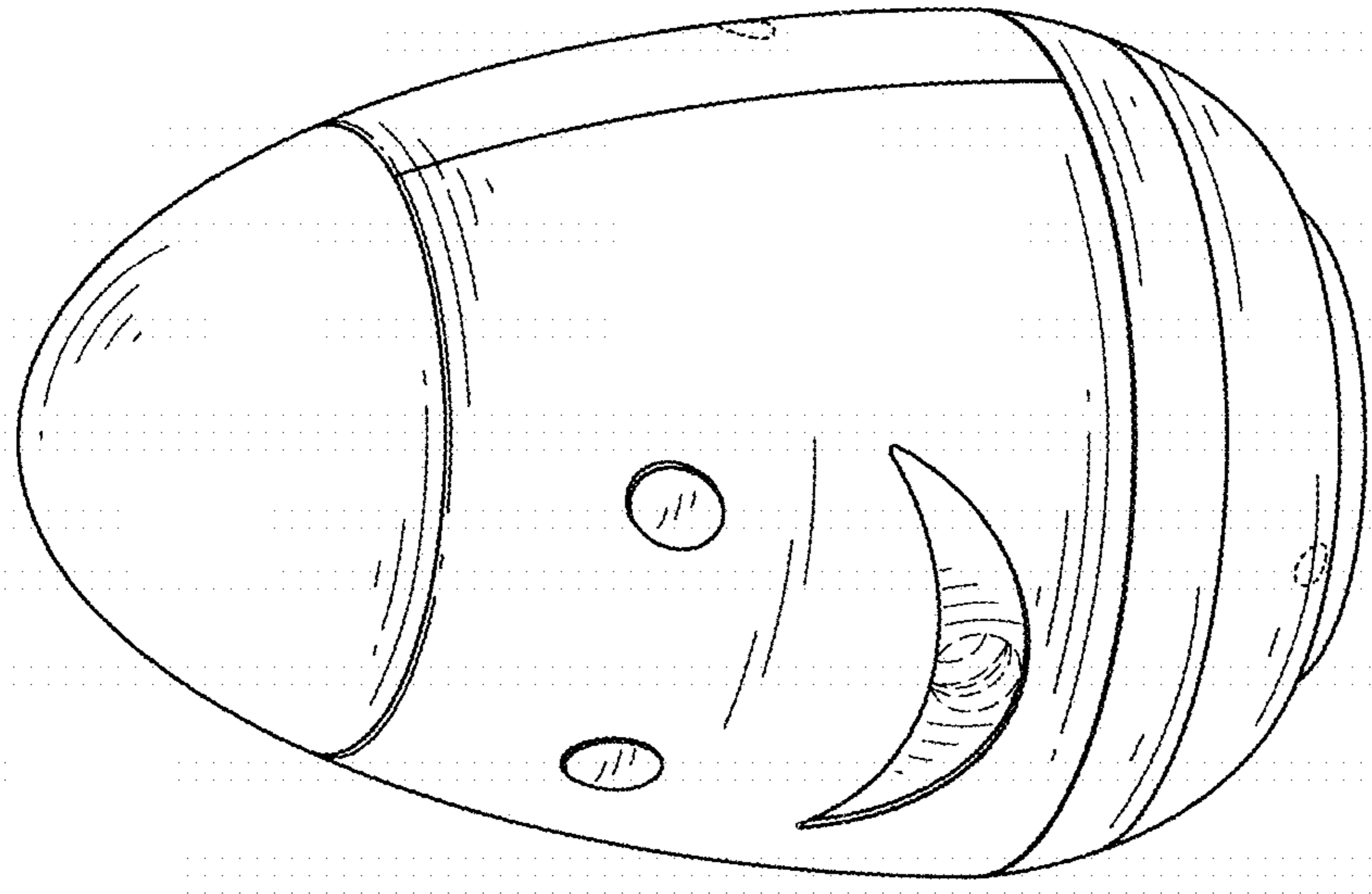


FIG. 1

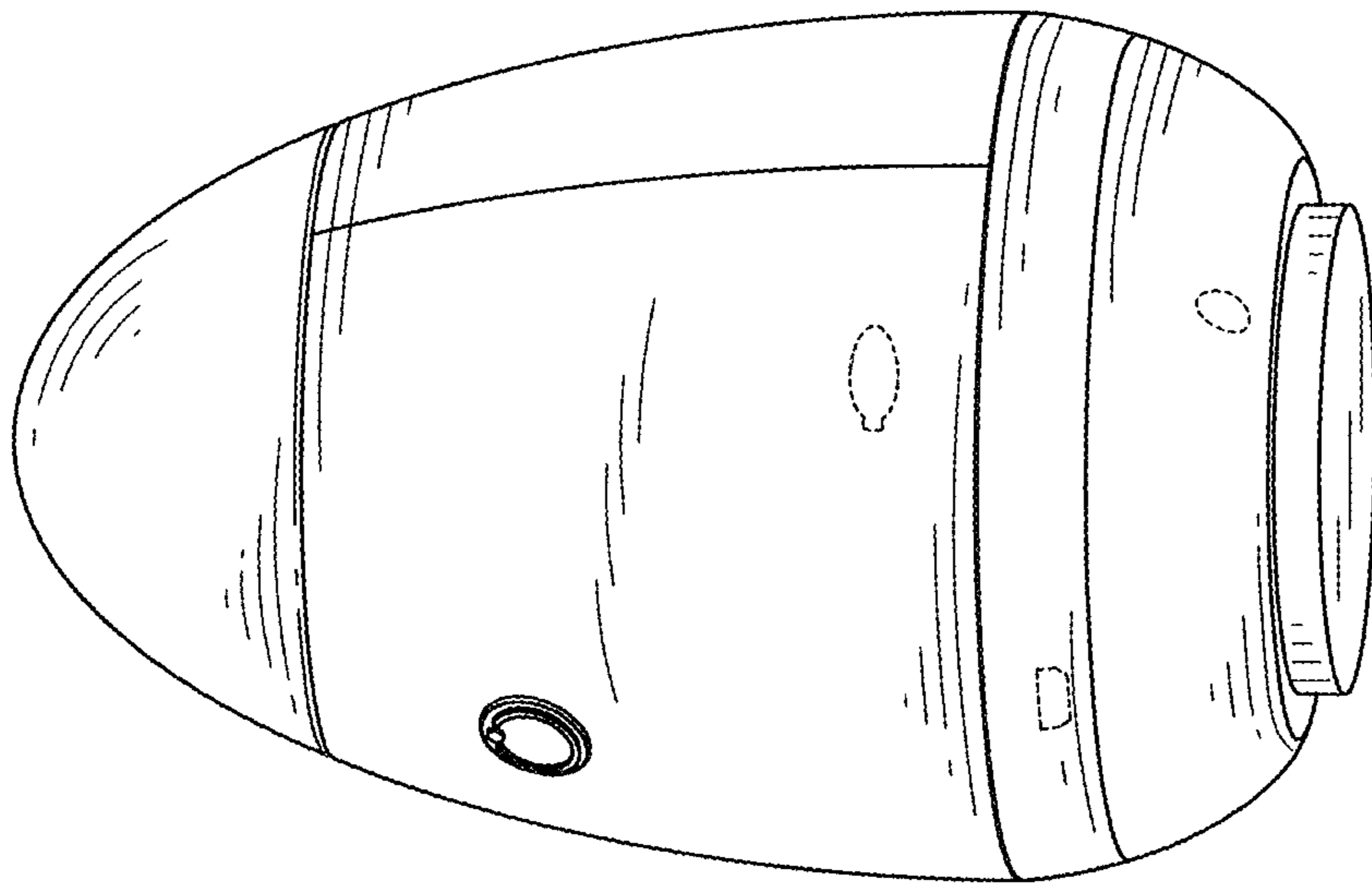


FIG. 2

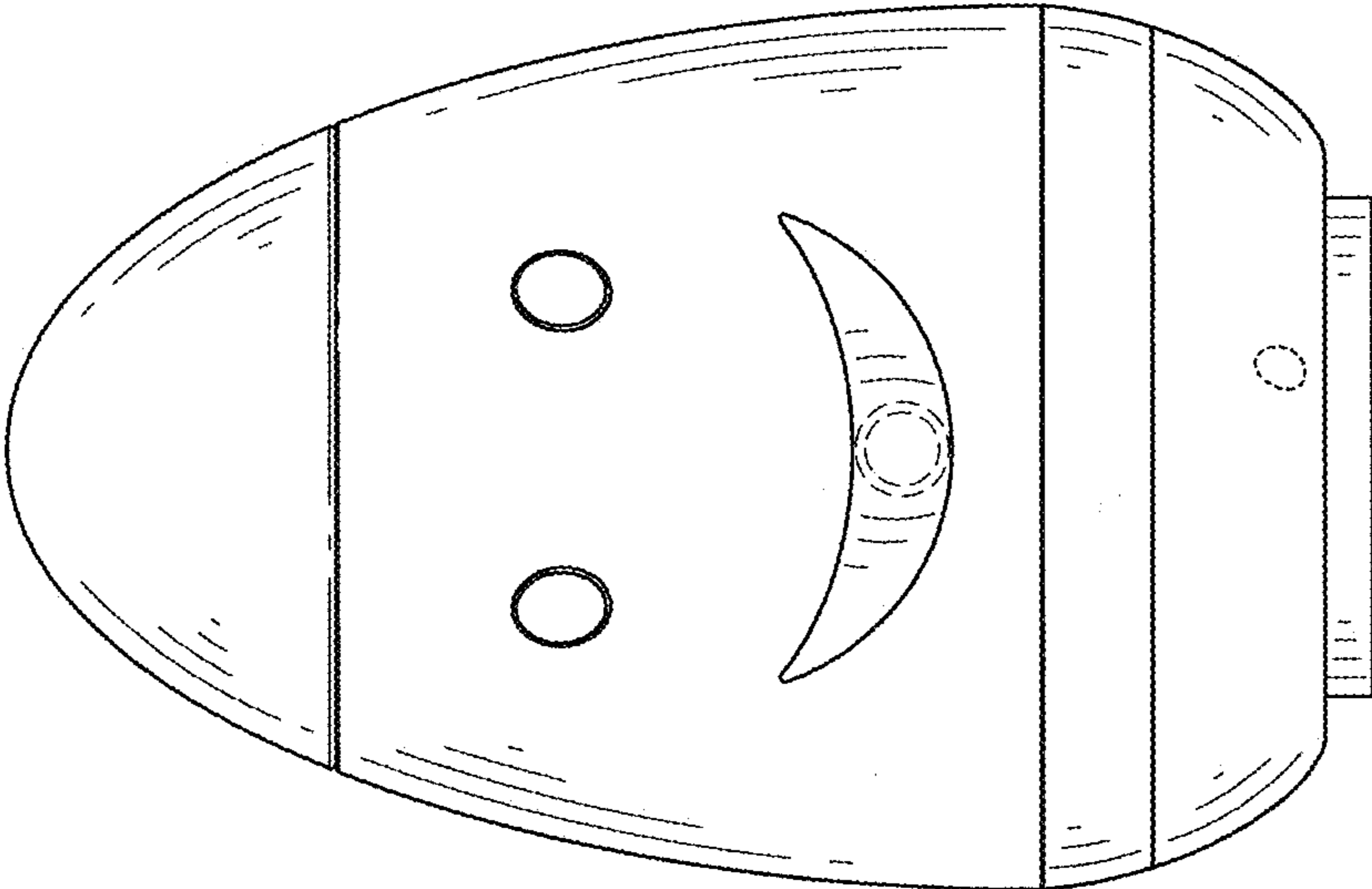


FIG. 3

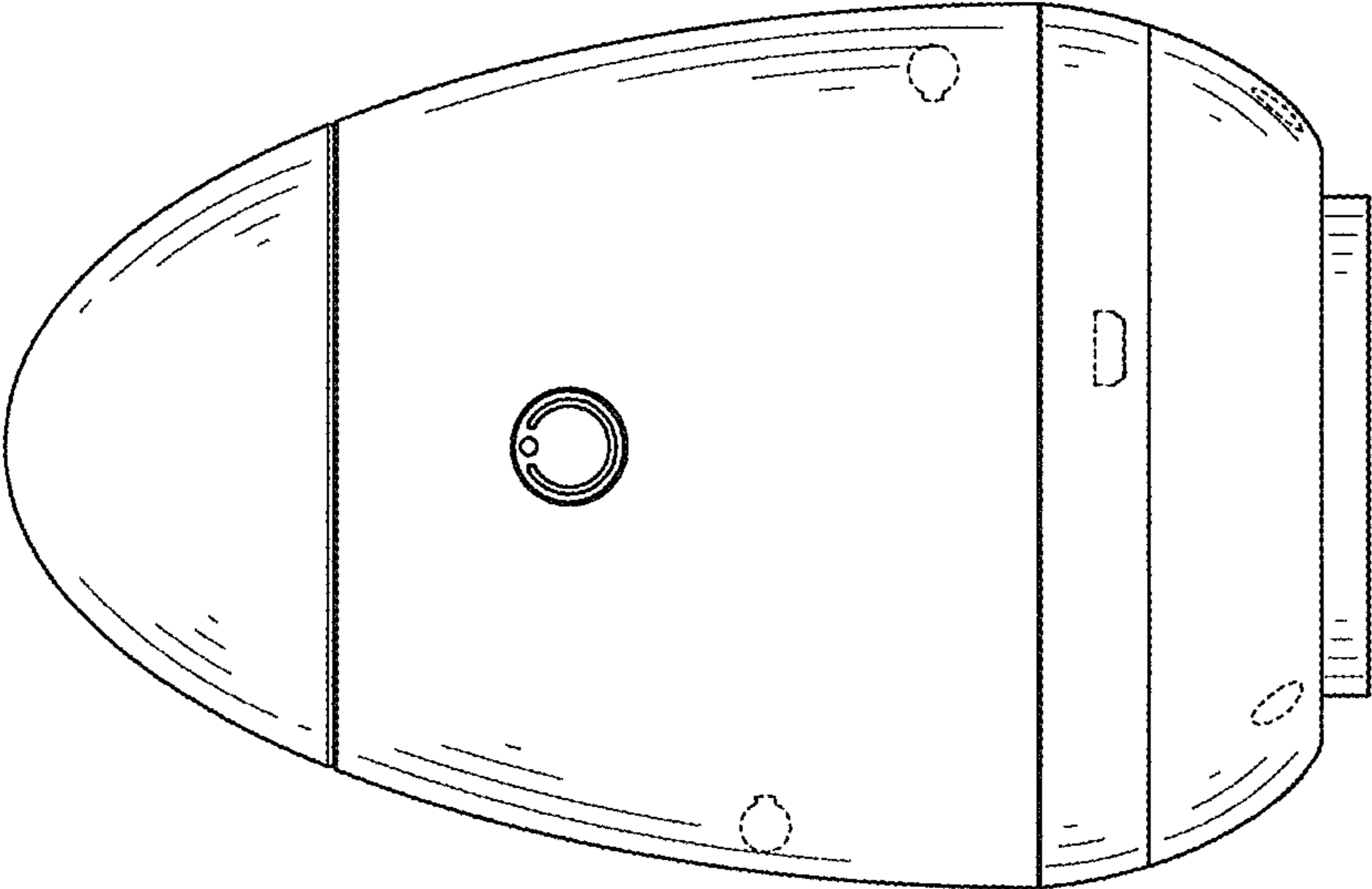


FIG. 4

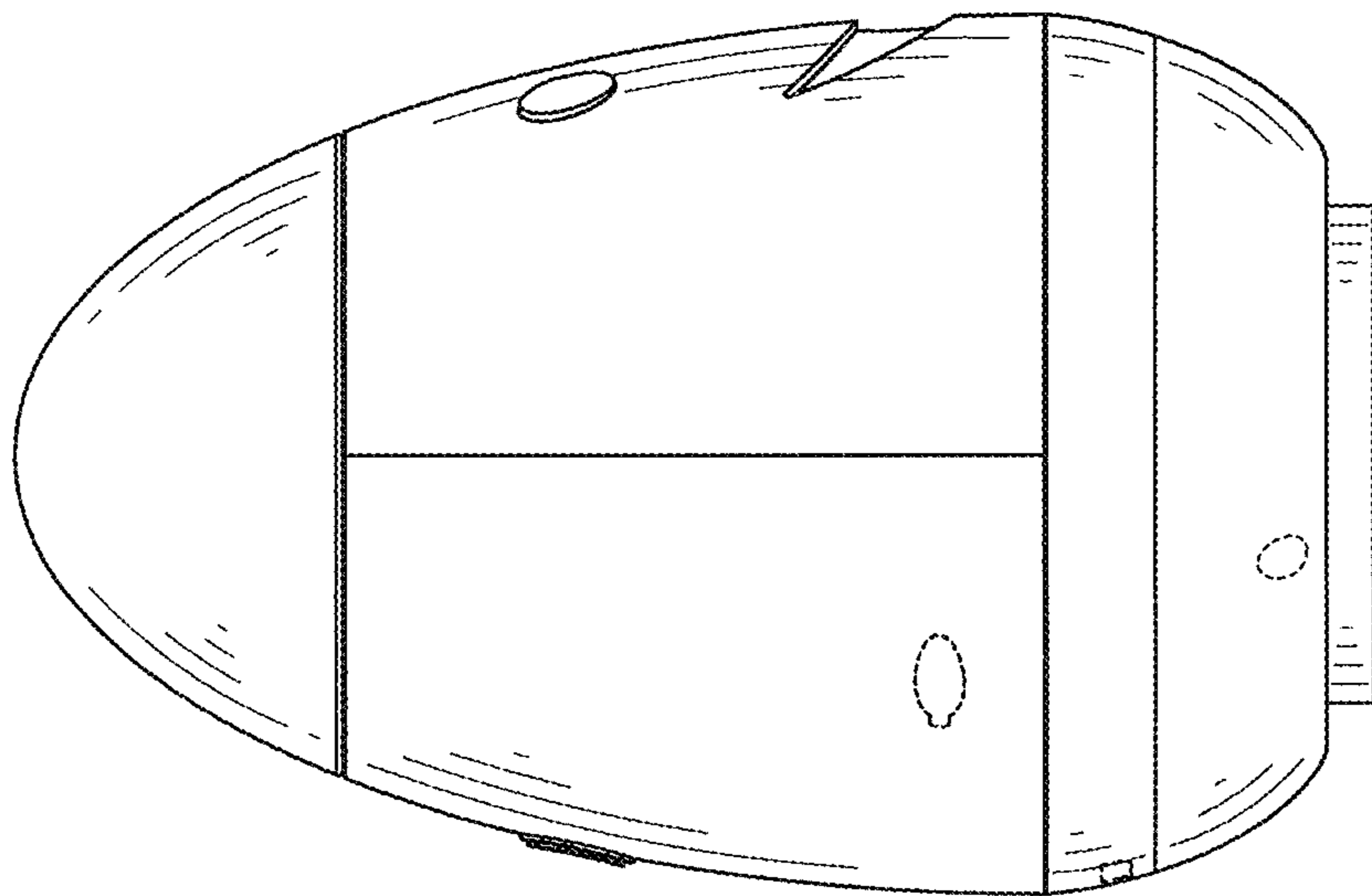


FIG. 5

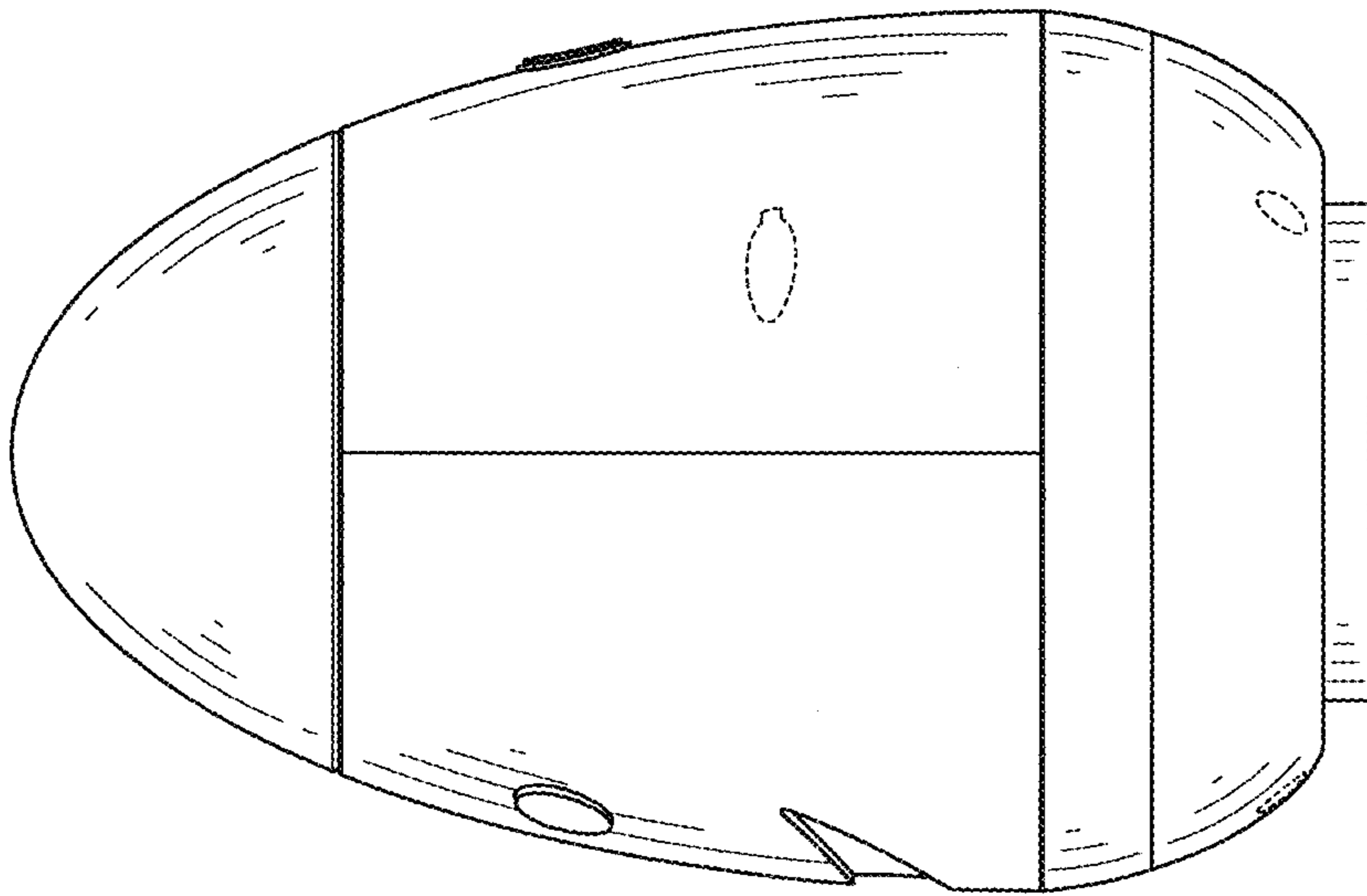


FIG. 6

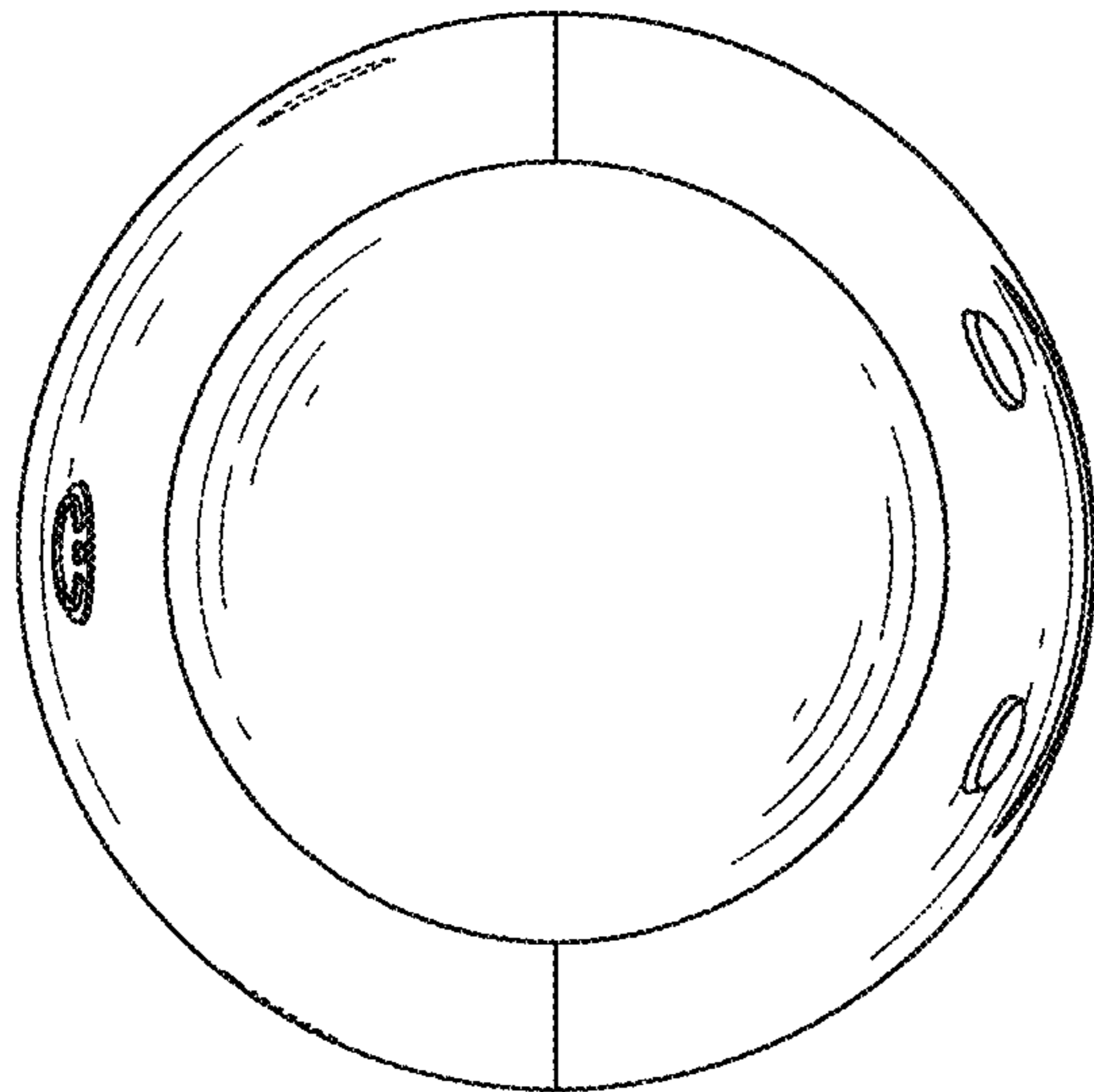


FIG. 7

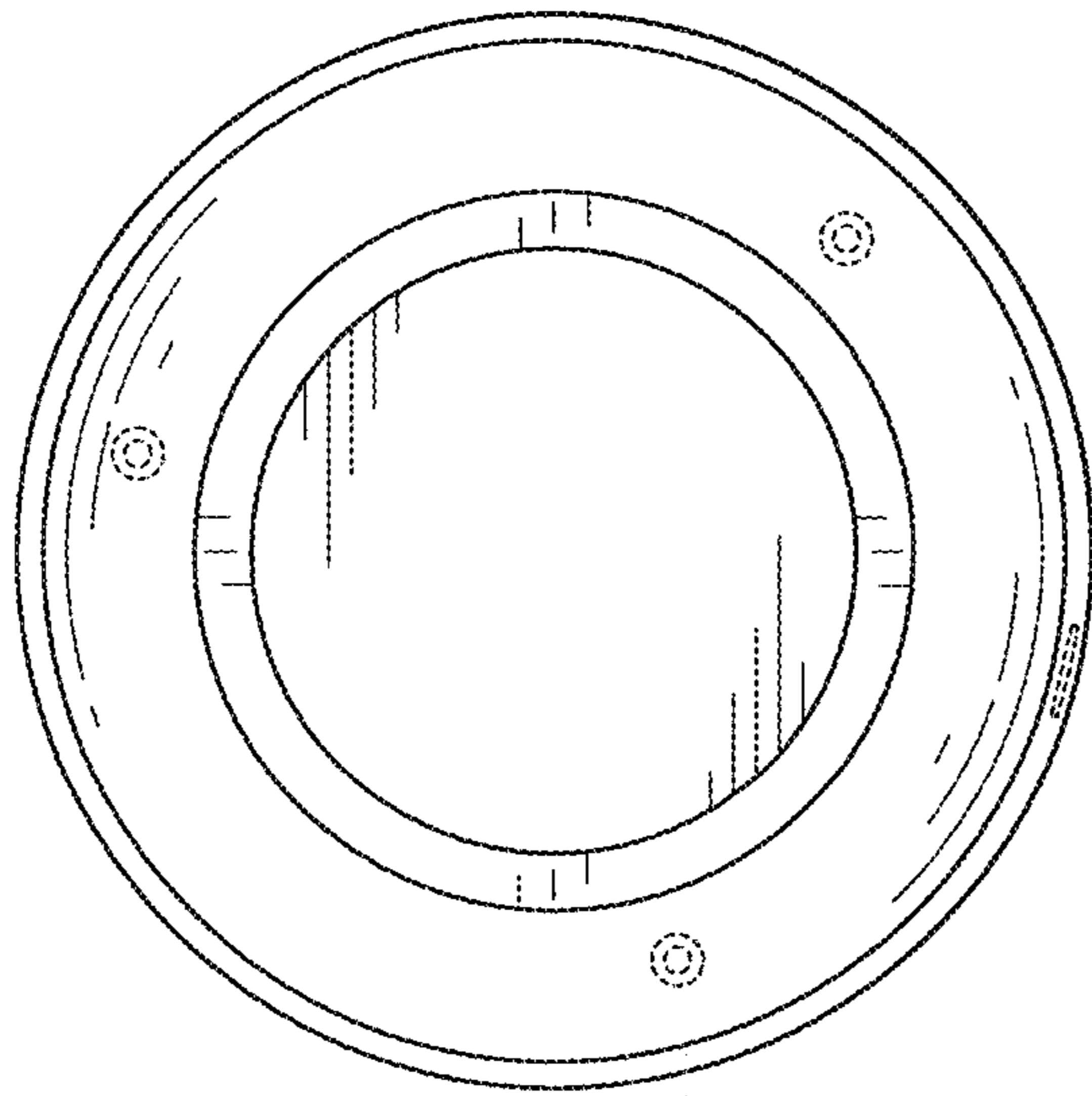


FIG. 8