



US00D893007S

(12) **United States Design Patent** (10) **Patent No.:** **US D893,007 S**
Justus (45) **Date of Patent:** **** Aug. 11, 2020**

(54) **AIR HANDLING UNIT**
(71) Applicant: **Charles Robert Justus**, Wildwood, MO (US)
(72) Inventor: **Charles Robert Justus**, Wildwood, MO (US)

D805,180 S * 12/2017 Urano D23/388
D854,670 S * 7/2019 Fang D23/333
D854,671 S * 7/2019 Fang D23/333
D878,542 S * 3/2020 Urano D23/388
D879,285 S * 3/2020 Urano D23/388
D879,286 S * 3/2020 Urano D23/388
D879,939 S * 3/2020 Urano D23/388
2008/0264461 A1 10/2008 Harris

(**) Term: **15 Years**

FOREIGN PATENT DOCUMENTS

(21) Appl. No.: **29/675,484**

CN 201031520 Y 3/2008
CN 203669481 U 6/2014

(22) Filed: **Jan. 2, 2019**

* cited by examiner

(51) **LOC (12) Cl.** **23-04**

Primary Examiner — **Natasha Vujcic**

(52) **U.S. Cl.**
USPC **D23/351; D23/388**

(74) *Attorney, Agent, or Firm* — **Armstrong Teasdale LLP**

(58) **Field of Classification Search**
USPC D23/333, 351–354, 388
CPC F24F 1/00; F24F 1/0007; F24F 1/02; F24F 1/08; F24F 1/42; F24F 1/56; F24F 1/60; F24F 3/044; F24F 3/048; F24F 3/16; G05D 23/1905; G05D 23/1932; G05D 23/1902; G05D 23/1931; G05B 19/0426; G05B 19/409; G05B 15/02
See application file for complete search history.

(57) **CLAIM**

I claim the ornamental design for an air handling unit, as shown and described.

DESCRIPTION

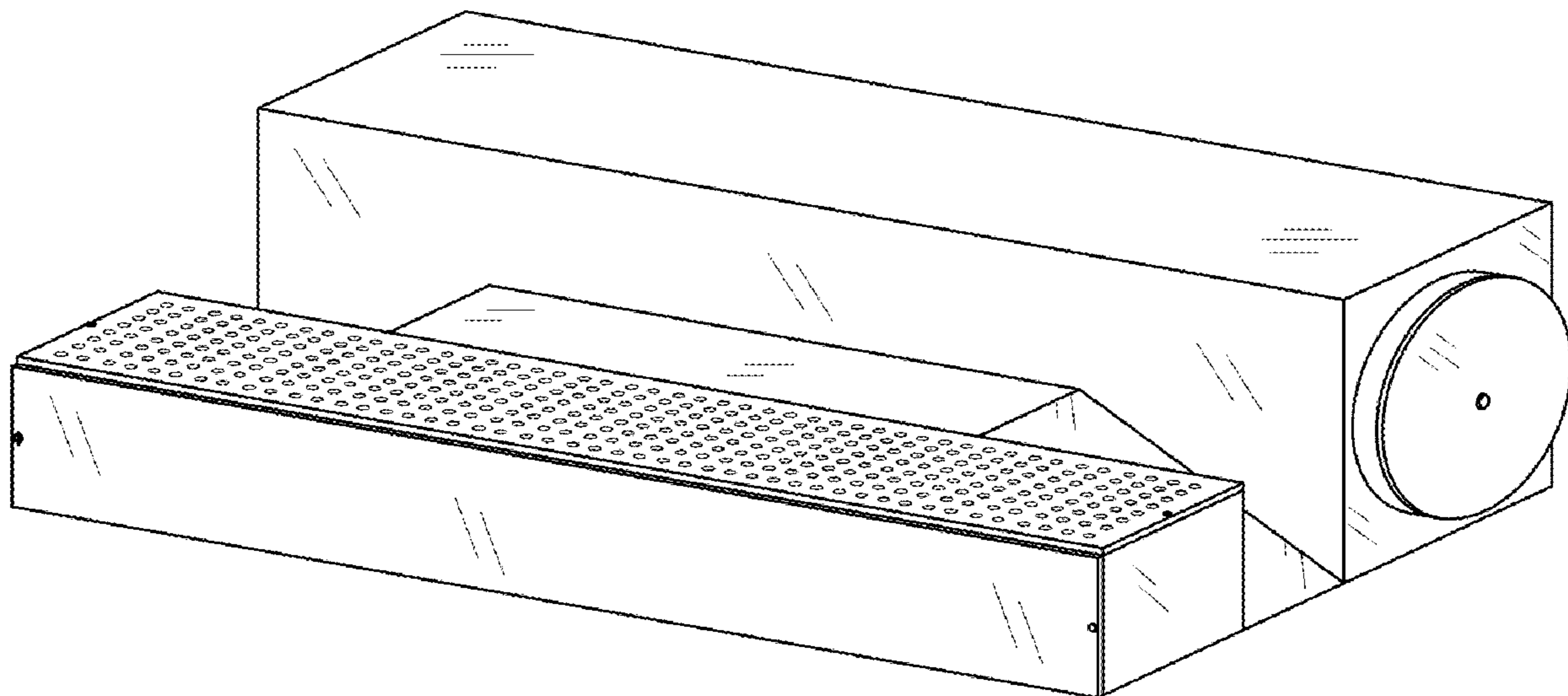
FIG. 1 is a front perspective view of an air handling unit showing the new design;
FIG. 2 is a front plane view of the air handling unit design shown in FIG. 1;
FIG. 3 is a rear plane view of the air handling unit design shown in FIG. 1;
FIG. 4 is a right side view of the air handling unit design shown in FIG. 1;
FIG. 5 is a left side view of the air handling unit design shown in FIG. 1.
FIG. 6 is a top plane view of the air handling unit design shown in FIG. 1; and,
FIG. 7 is a bottom plane view of the air handling unit design shown in FIG. 1.

(56) **References Cited**

U.S. PATENT DOCUMENTS

D330,198 S * 10/1992 Lajara D14/435
5,331,991 A 7/1994 Nilsson
D377,749 S * 2/1997 Collado D8/349
6,508,850 B1 1/2003 Kotliar
D515,187 S * 2/2006 Blateri D23/336
D578,633 S * 10/2008 Schluter D23/370
D597,653 S * 8/2009 Calkins D23/388
D683,005 S * 5/2013 Park D23/351
D723,675 S * 3/2015 Paskow D23/354
9,410,342 B2 8/2016 Napier et al.
D805,178 S * 12/2017 Urano D23/388

1 Claim, 7 Drawing Sheets



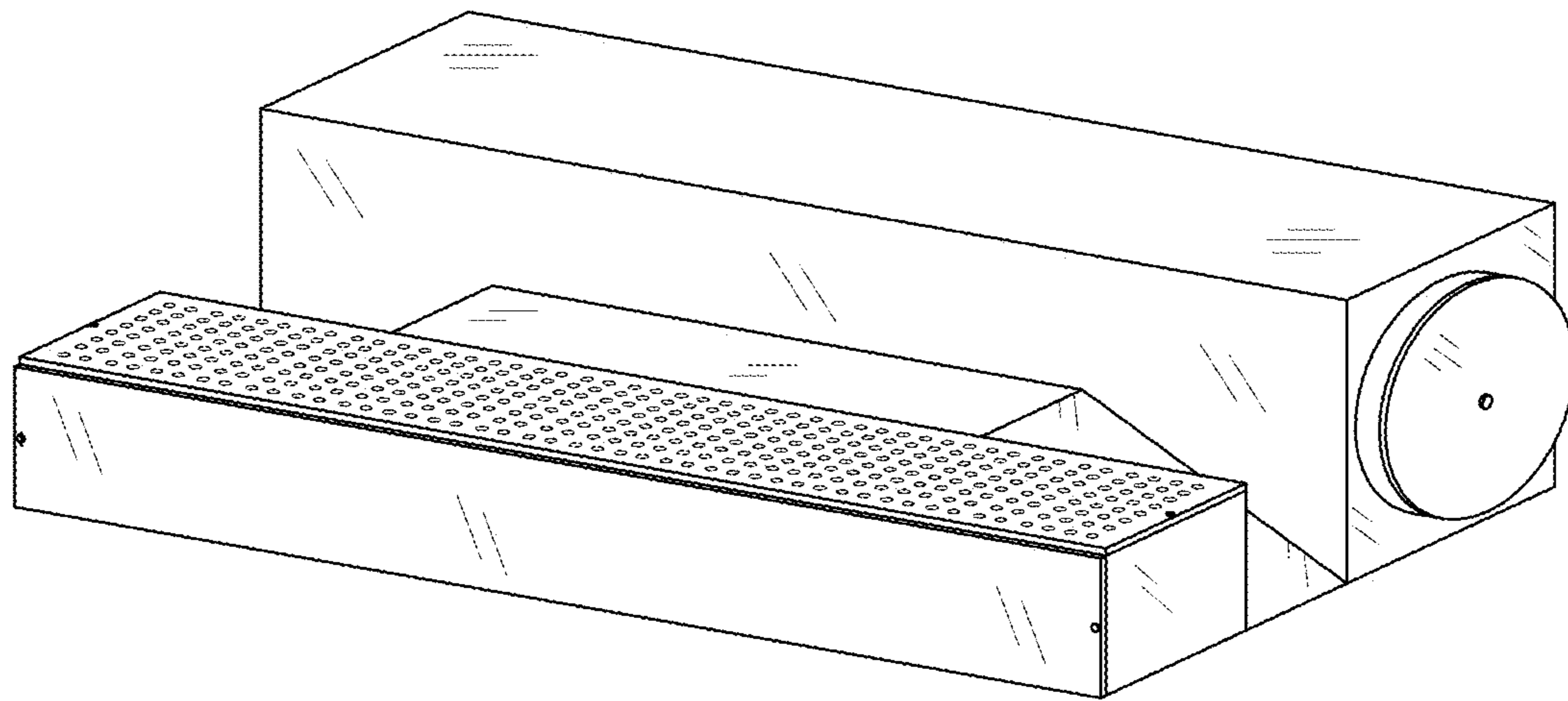


FIG. 1

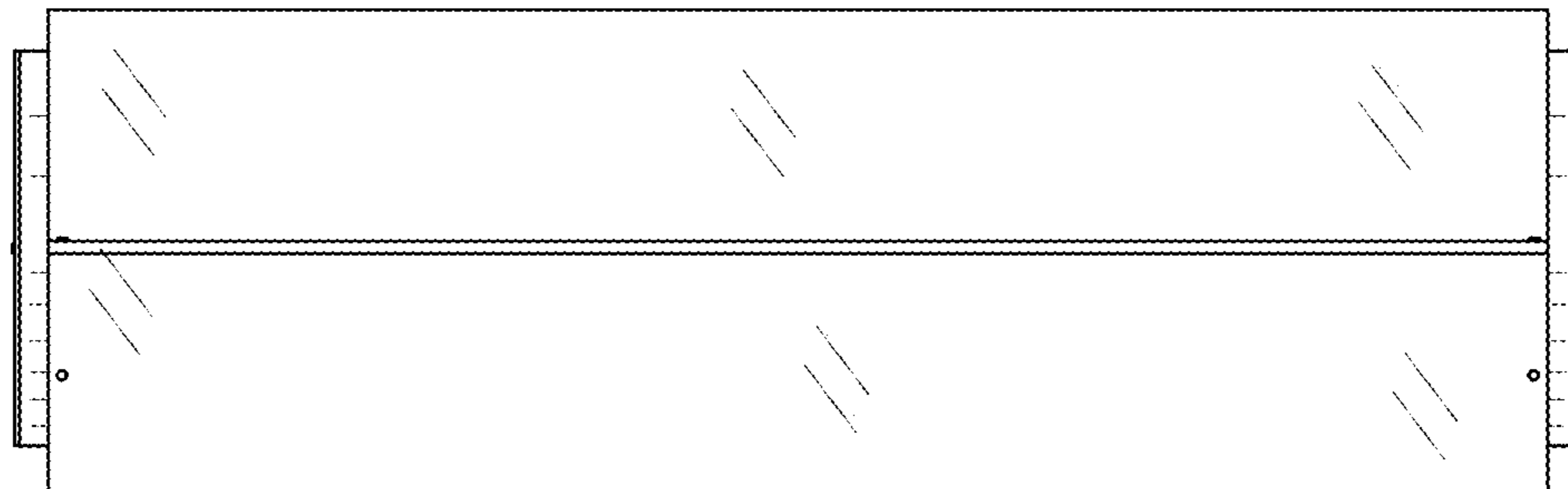


FIG. 2

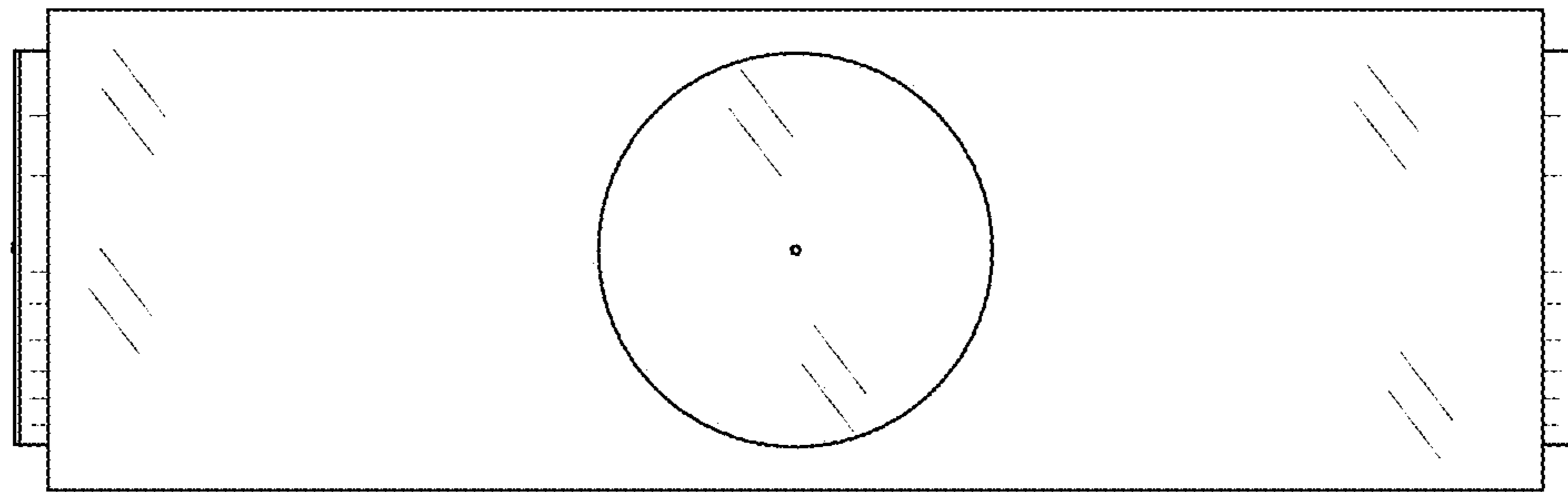


FIG. 3

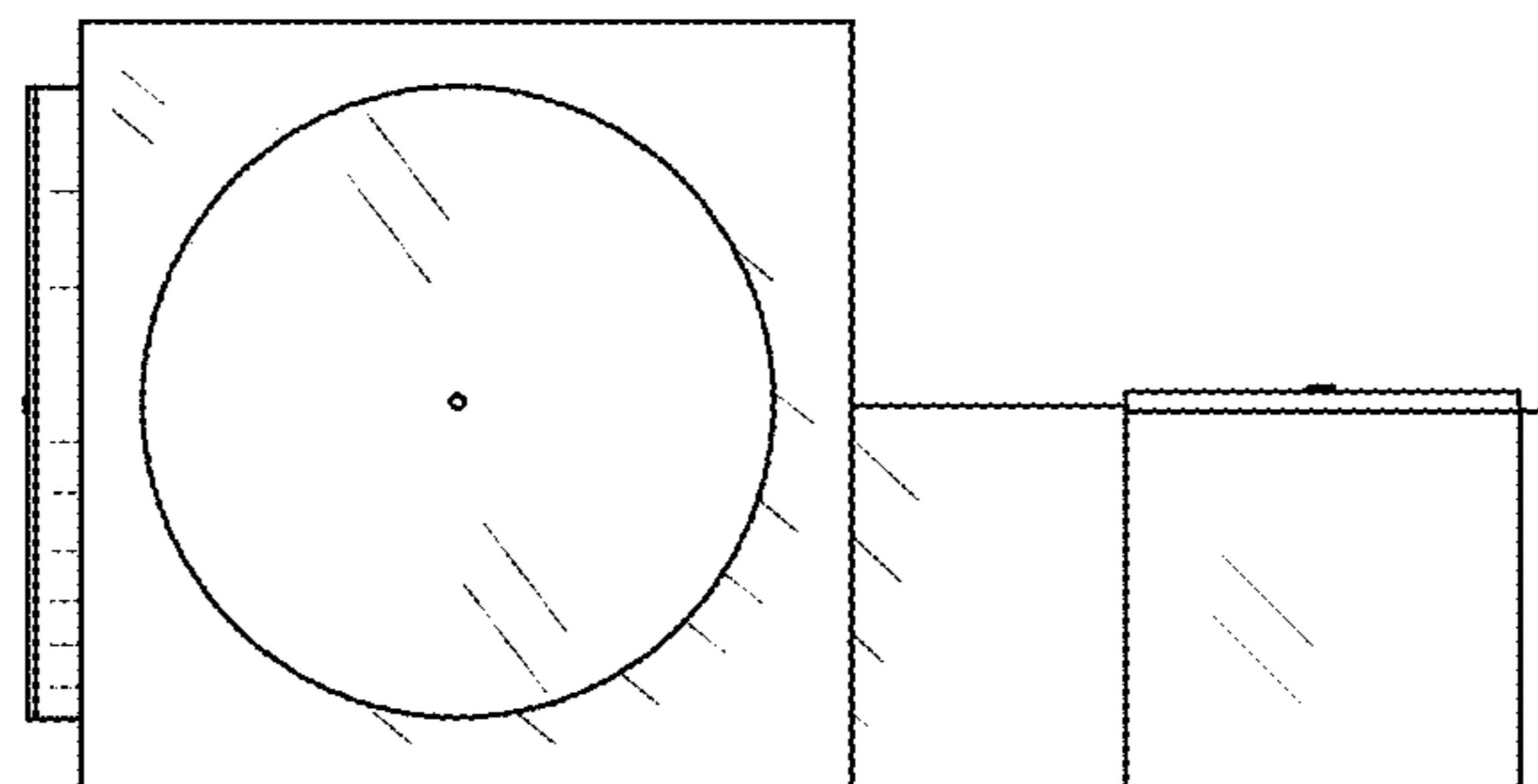


FIG. 4

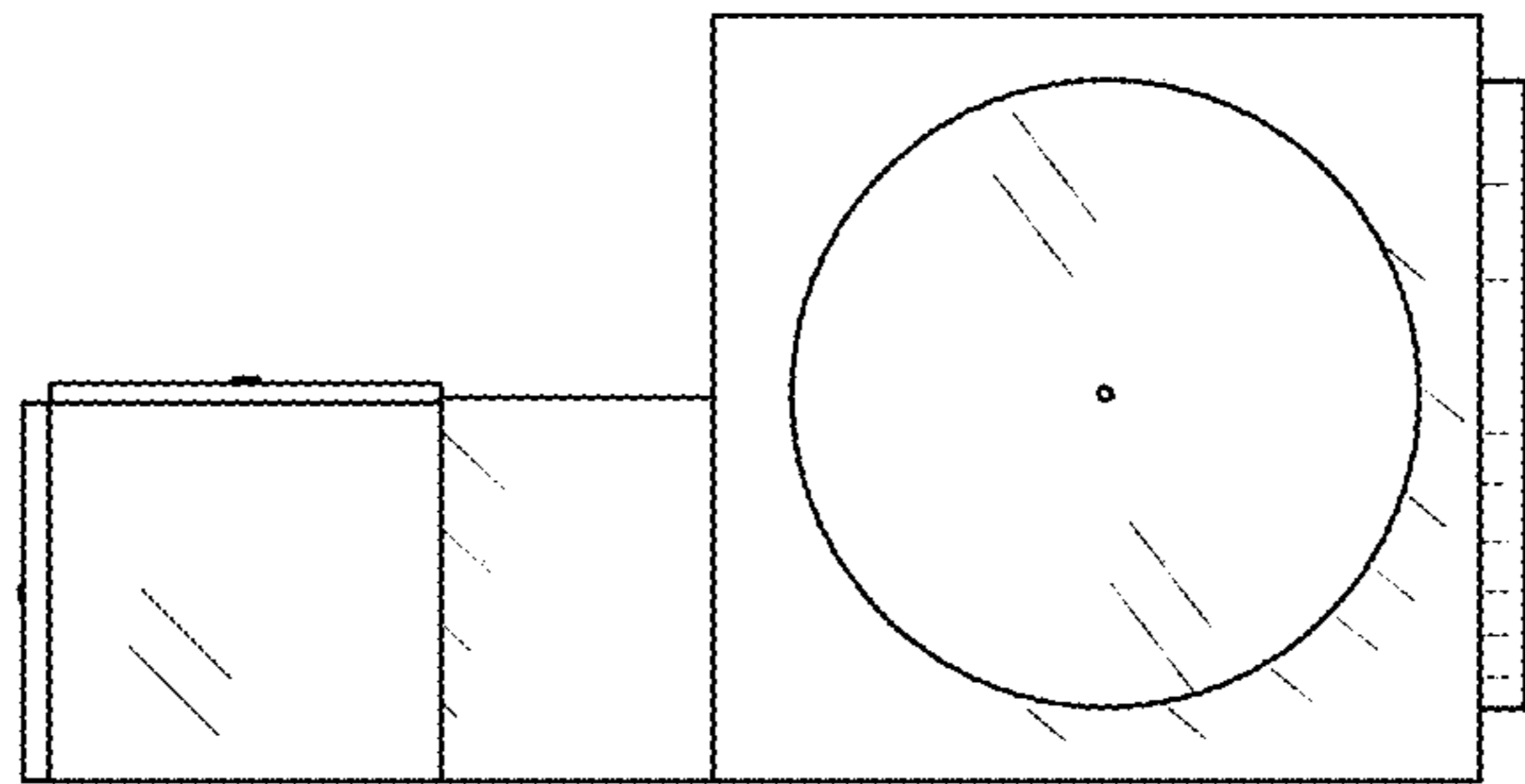


FIG. 5

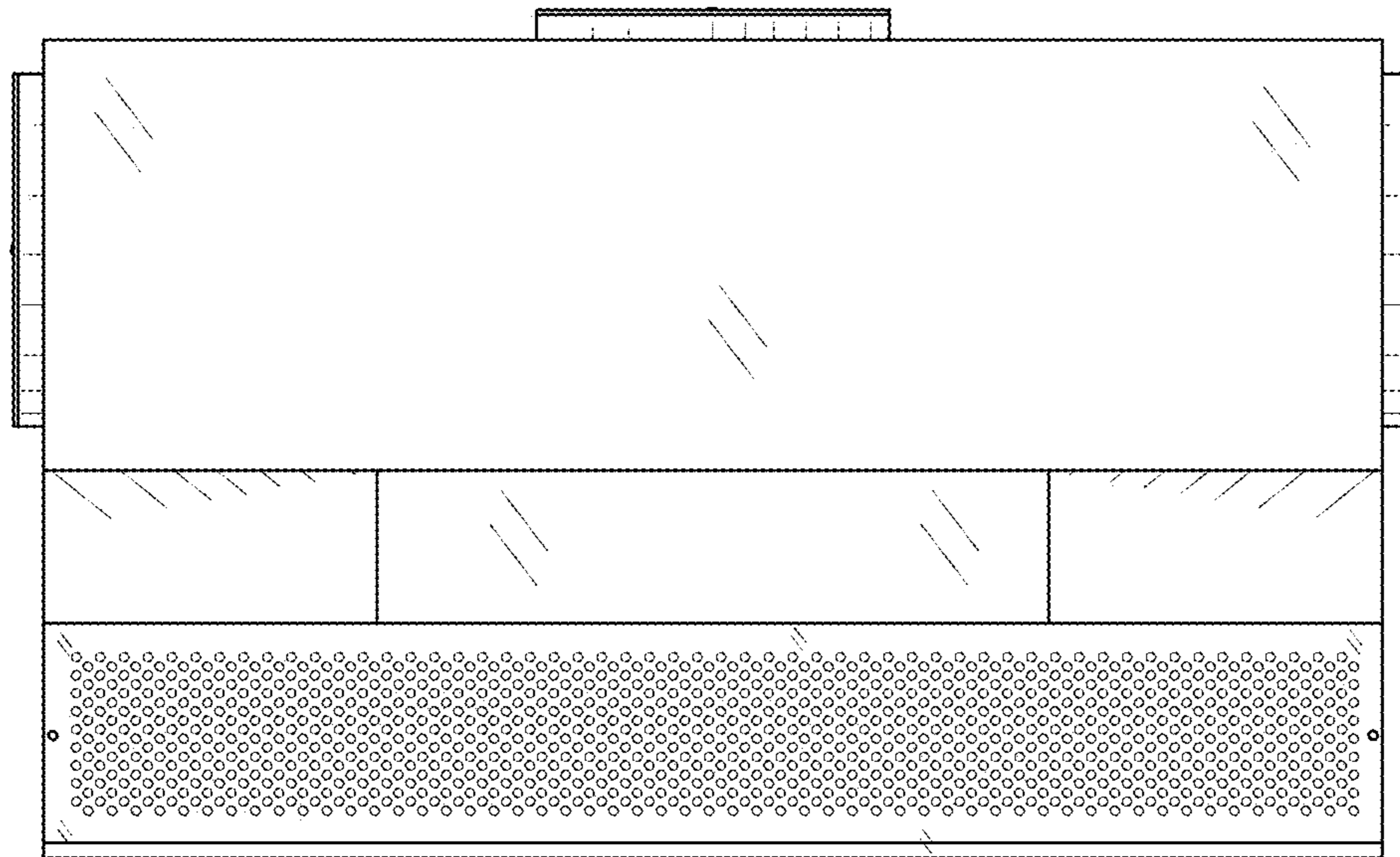


FIG. 6

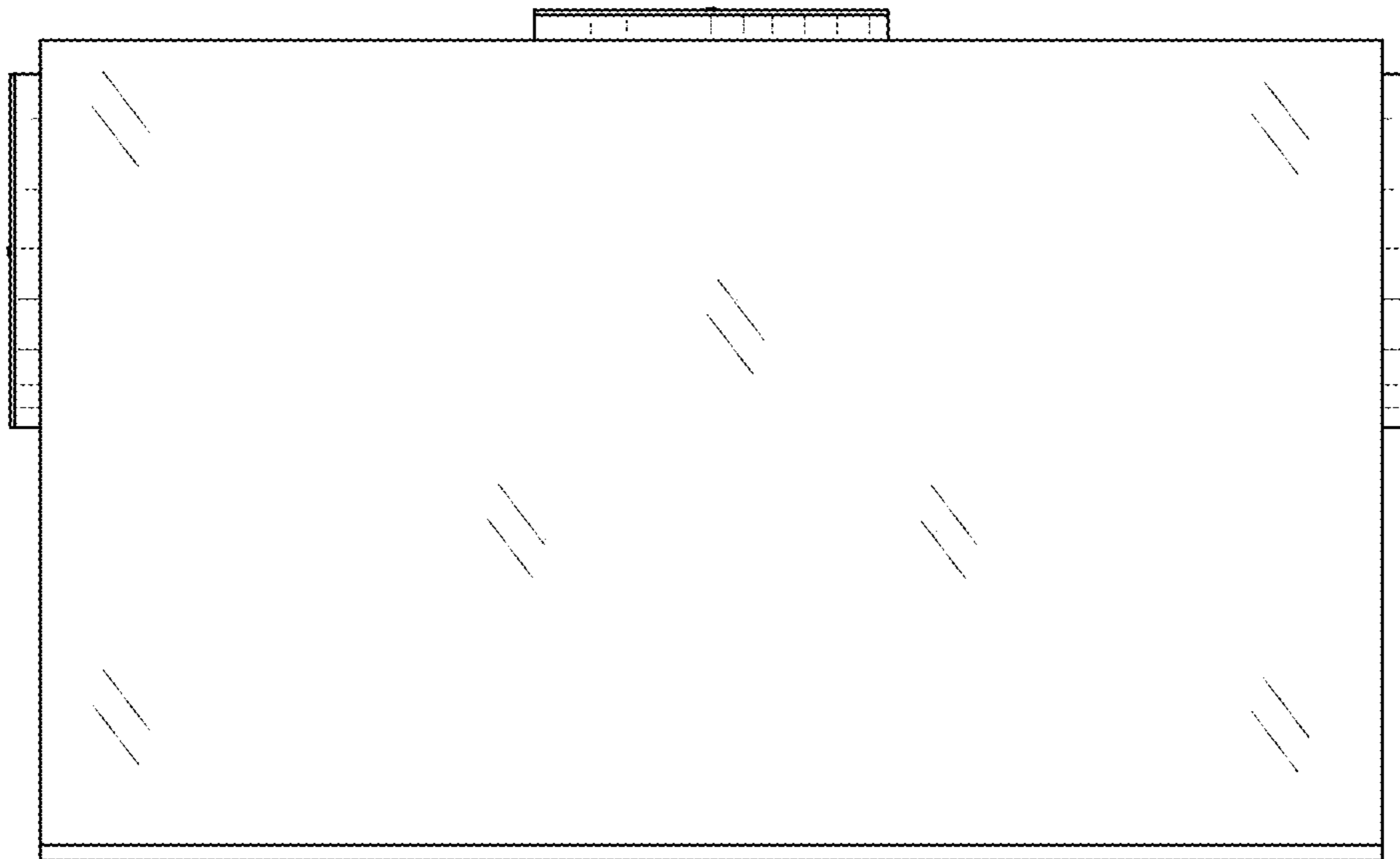


FIG. 7