



US00D893004S

(12) **United States Design Patent**  
**Farrer**

(10) **Patent No.:** **US D893,004 S**

(45) **Date of Patent:** **\*\* Aug. 11, 2020**

(54) **PORTABLE AUDIO-DRIVEN FIRE PIT**

(71) Applicant: **TK PRODUCTS, LLC**, Vancouver,  
WA (US)

(72) Inventor: **Trent Farrer**, Vancouver, WA (US)

(73) Assignee: **TK HOLDINGS, LLC**, Vancouver,  
WA (US)

(\*\*) Term: **15 Years**

(21) Appl. No.: **29/674,152**

(22) Filed: **Dec. 19, 2018**

(51) **LOC (12) Cl.** ..... **23-03**

(52) **U.S. Cl.**  
USPC ..... **D23/343**

(58) **Field of Classification Search**  
USPC ..... D23/314, 332, 334, 335, 336, 337, 338,  
D23/339, 340, 341, 342, 343, 344, 403,  
D23/499; D7/332-337, 402-405, 352;  
D26/8

CPC ..... F24C 1/16; F24C 5/00; F24C 3/14; A47J  
33/00; A47J 37/0763; A47J 37/07; F24B  
1/18; F24B 1/182; F24B 1/1808; F24B  
1/181; F24B 1/195; F24B 1/191; F23N  
1/002; F23N 5/203

See application file for complete search history.

(56) **References Cited**

**U.S. PATENT DOCUMENTS**

D383,356 S \* 9/1997 Stuck ..... D7/332  
D620,570 S \* 7/2010 Thomas ..... D23/342

8,434,470 B2 \* 5/2013 Jensen ..... F24C 5/00  
126/512  
D805,171 S \* 12/2017 Hrydovyy ..... D23/343  
D857,865 S \* 8/2019 Wang ..... D23/339  
2012/0260905 A1 \* 10/2012 Jensen ..... F24B 1/1802  
126/512  
2014/0338585 A1 \* 11/2014 McBride ..... B63B 17/00  
114/364  
2017/0261210 A1 \* 9/2017 Harris ..... F24C 3/022  
2018/0010807 A1 \* 1/2018 Brakhage ..... F24C 15/06  
2019/0383490 A1 \* 12/2019 Paladino ..... F24B 1/192

\* cited by examiner

*Primary Examiner* — T Chase Nelson

*Assistant Examiner* — Ania Aman

(74) *Attorney, Agent, or Firm* — FisherBroyles LLP;  
Micah D. Stolowitz

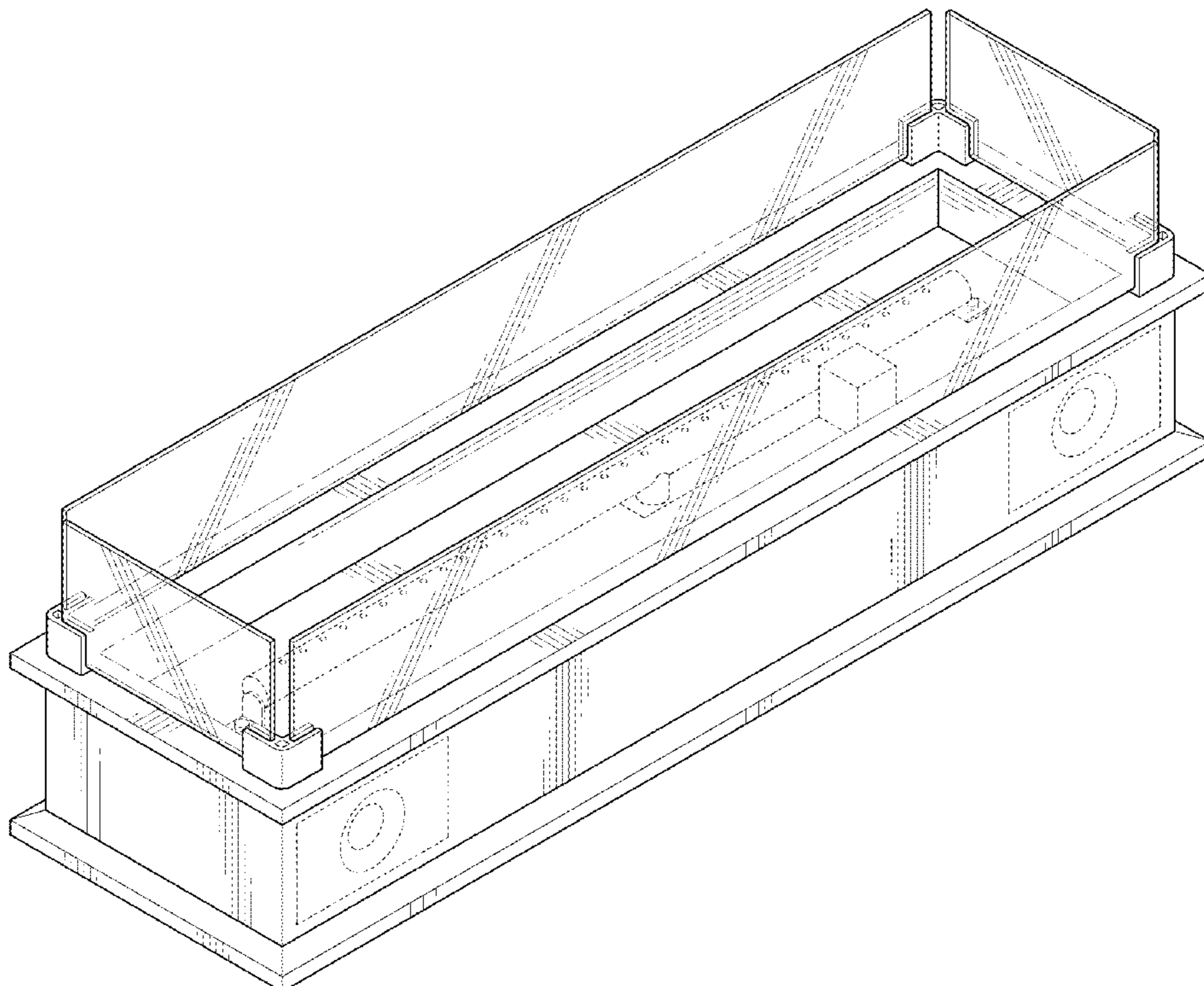
(57) **CLAIM**

I claim, the ornamental design for a portable audio-driven  
fire pit, as shown and described.

**DESCRIPTION**

FIG. 1 is a perspective view of my design.  
FIG. 2 is a front elevation view of my design.  
FIG. 3 is a back elevation view of my design.  
FIG. 4 is a left side elevation view of my design.  
FIG. 5 is a right side elevation view of my design; and,  
FIG. 6 is a top view of my design.  
The broken lines showing portions of the portable audio-  
driven figure pit is for the purpose of illustrating environ-  
mental structure and forms no part of the claimed design.

**1 Claim, 3 Drawing Sheets**



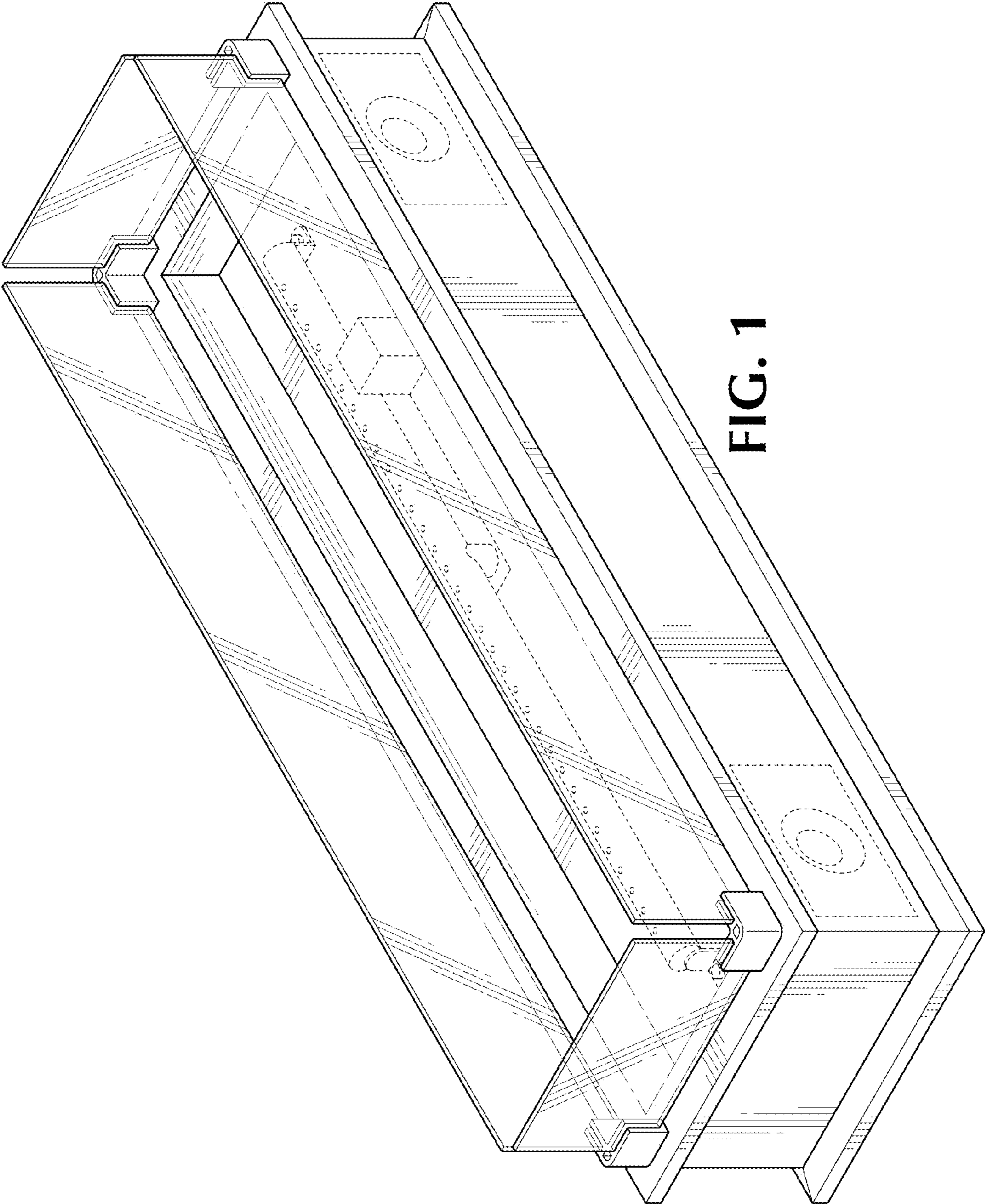


FIG. 1

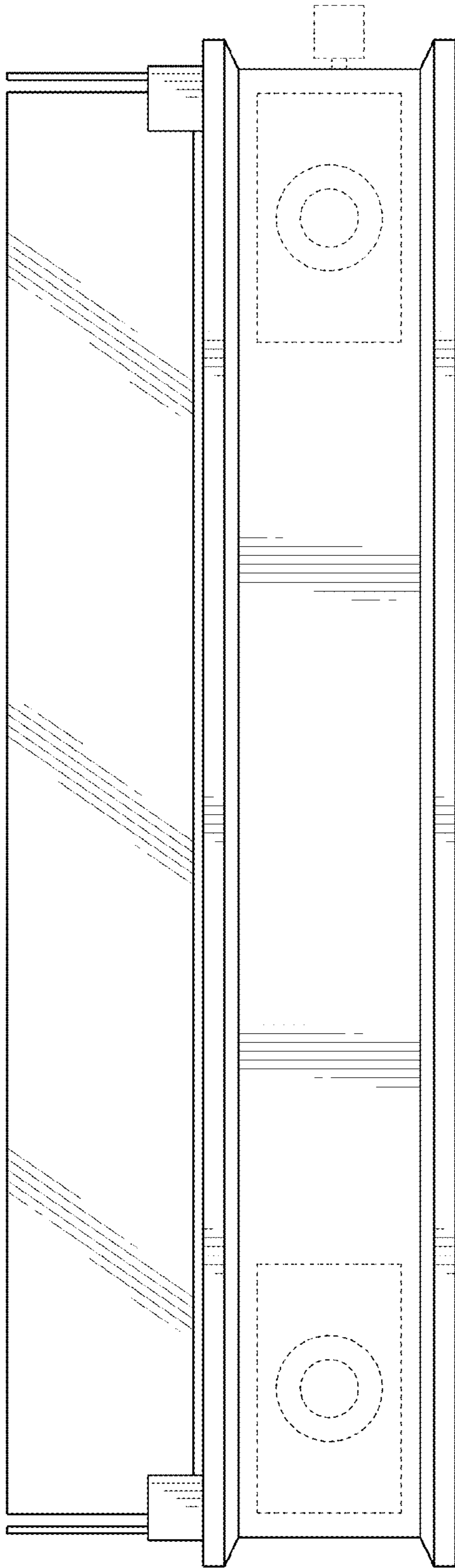


FIG. 2

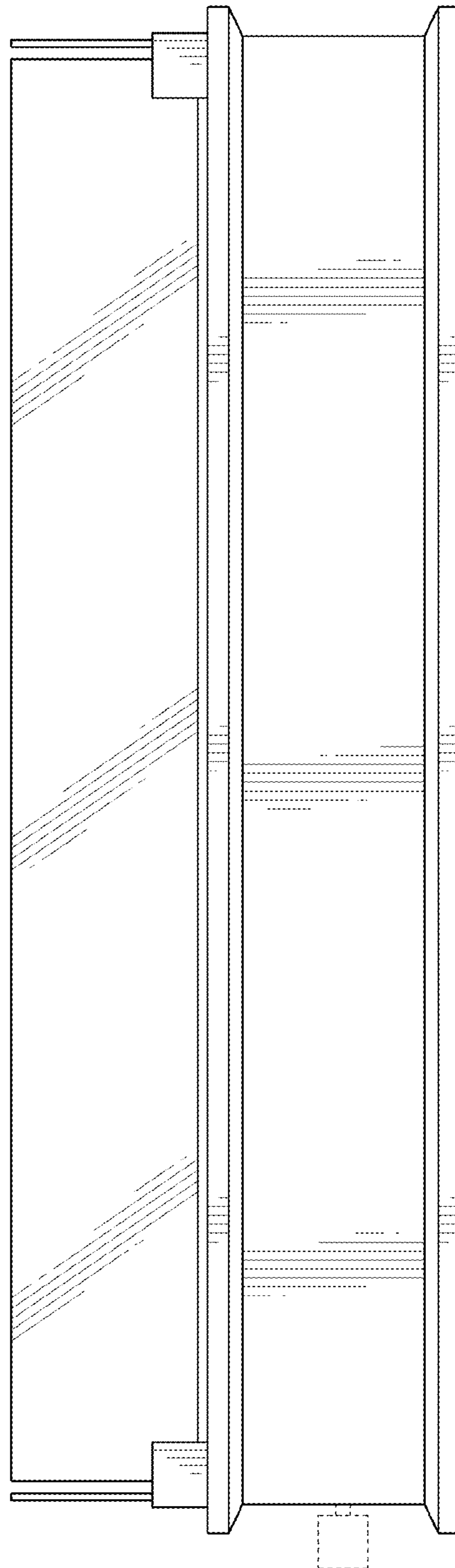


FIG. 3

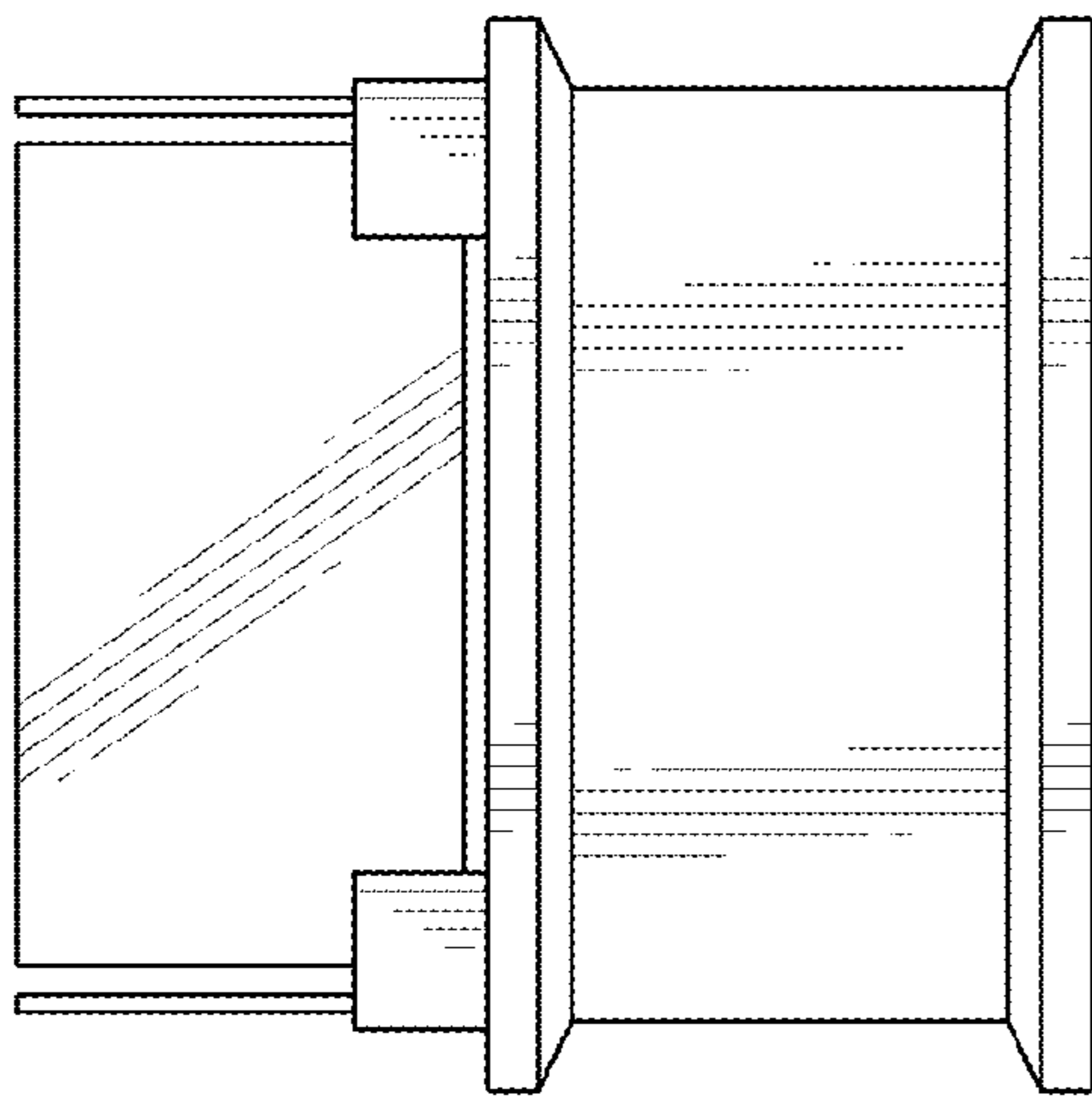


FIG. 4

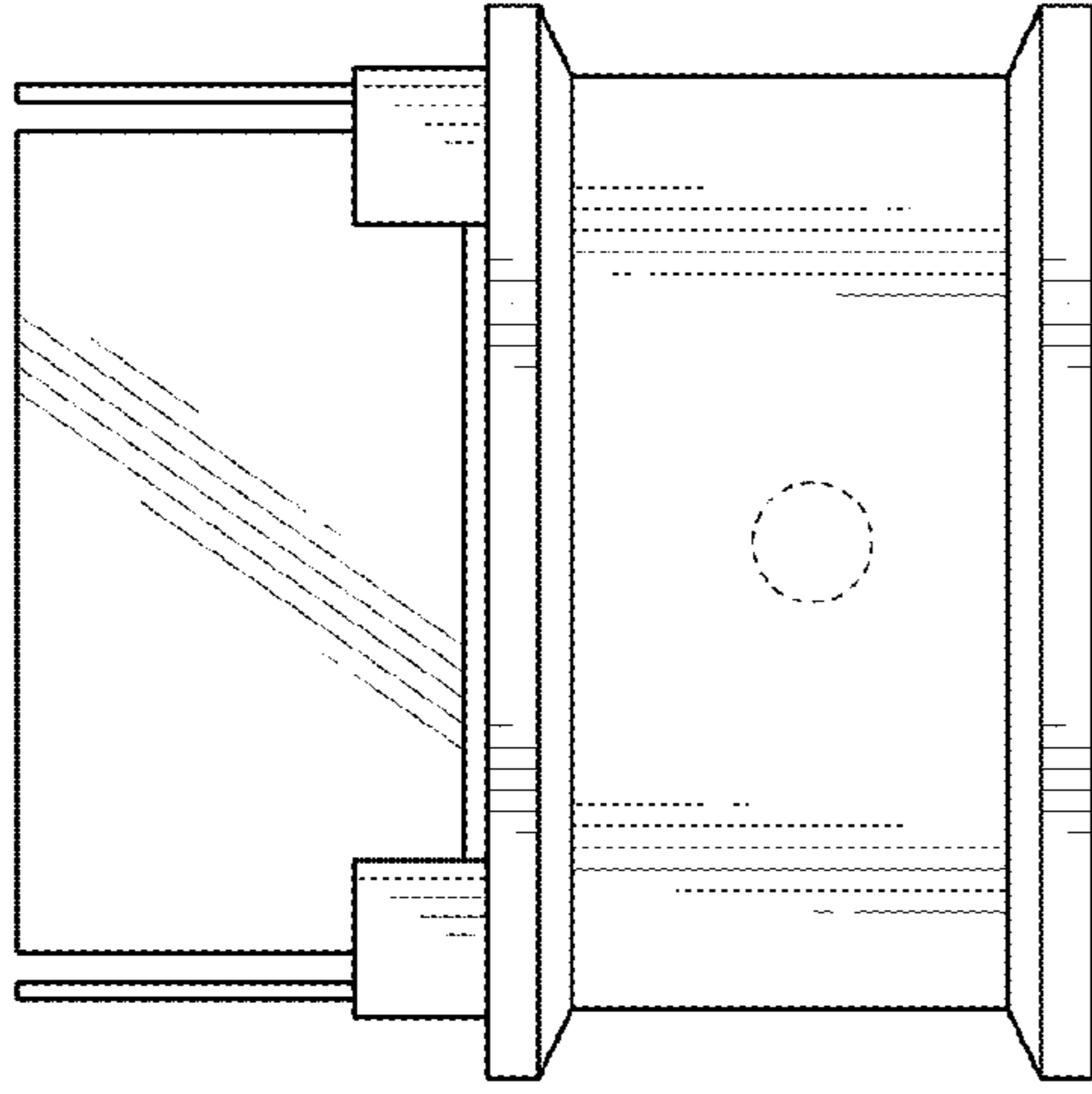


FIG. 5

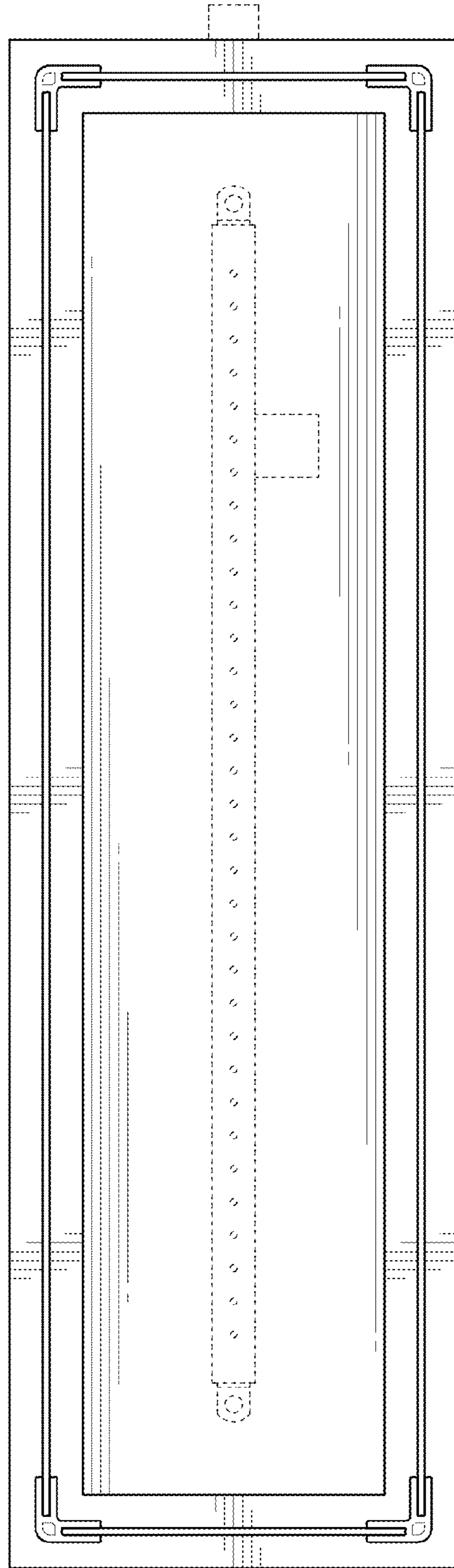


FIG. 6