



US00D893001S

(12) **United States Design Patent**  
**Masuda**

(10) **Patent No.:** **US D893,001 S**

(45) **Date of Patent:** **\*\* Aug. 11, 2020**

(54) **TOILET SEAT WITH BIDET**

(56) **References Cited**

(71) Applicant: **AISIN SEIKI KABUSHIKI KAISHA,**  
Kariya-shi, Aichi-ken (JP)

U.S. PATENT DOCUMENTS

(72) Inventor: **Takumi Masuda,** Kiyosu (JP)

D819,793 S \* 6/2018 Yoo ..... D23/311  
D844,761 S \* 4/2019 Nakabayashi ..... D23/311  
D866,731 S \* 11/2019 Richter ..... D23/311

(73) Assignee: **AISIN SEIKI KABUSHIKI KAISHA,**  
Kariya-Shi, Aichi-Ken (JP)

\* cited by examiner

(\*\*) Term: **15 Years**

*Primary Examiner* — Robert A Delehanty

(21) Appl. No.: **29/700,699**

(74) *Attorney, Agent, or Firm* — Buchanan Ingersoll & Rooney PC

(22) Filed: **Aug. 5, 2019**

(57) **CLAIM**

The ornamental design for a toilet seat with bidet, as shown and described.

(30) **Foreign Application Priority Data**

**DESCRIPTION**

Feb. 7, 2019 (JP) ..... 2019-002469

(51) **LOC (12) Cl.** ..... **23-02**

(52) **U.S. Cl.**  
USPC ..... **D23/311**

(58) **Field of Classification Search**  
USPC ..... D23/295, 300–301, 309, 311–312  
CPC ..... A47K 13/00; A47K 13/005; A47K 13/02;  
A47K 13/04

FIG. 1 is a front perspective view of a toilet seat with bidet showing my new design;  
FIG. 2 is a rear perspective view thereof;  
FIG. 3 is a front view thereof;  
FIG. 4 is a rear view thereof;  
FIG. 5 is a top plan view thereof;  
FIG. 6 is a bottom plan view thereof; and,  
FIG. 7 is a right side view thereof, the left side view being a mirror image of FIG. 7.  
The broken lines illustrate portions of the toilet seat with bidet that form no part of the claimed design.

See application file for complete search history.

**1 Claim, 7 Drawing Sheets**

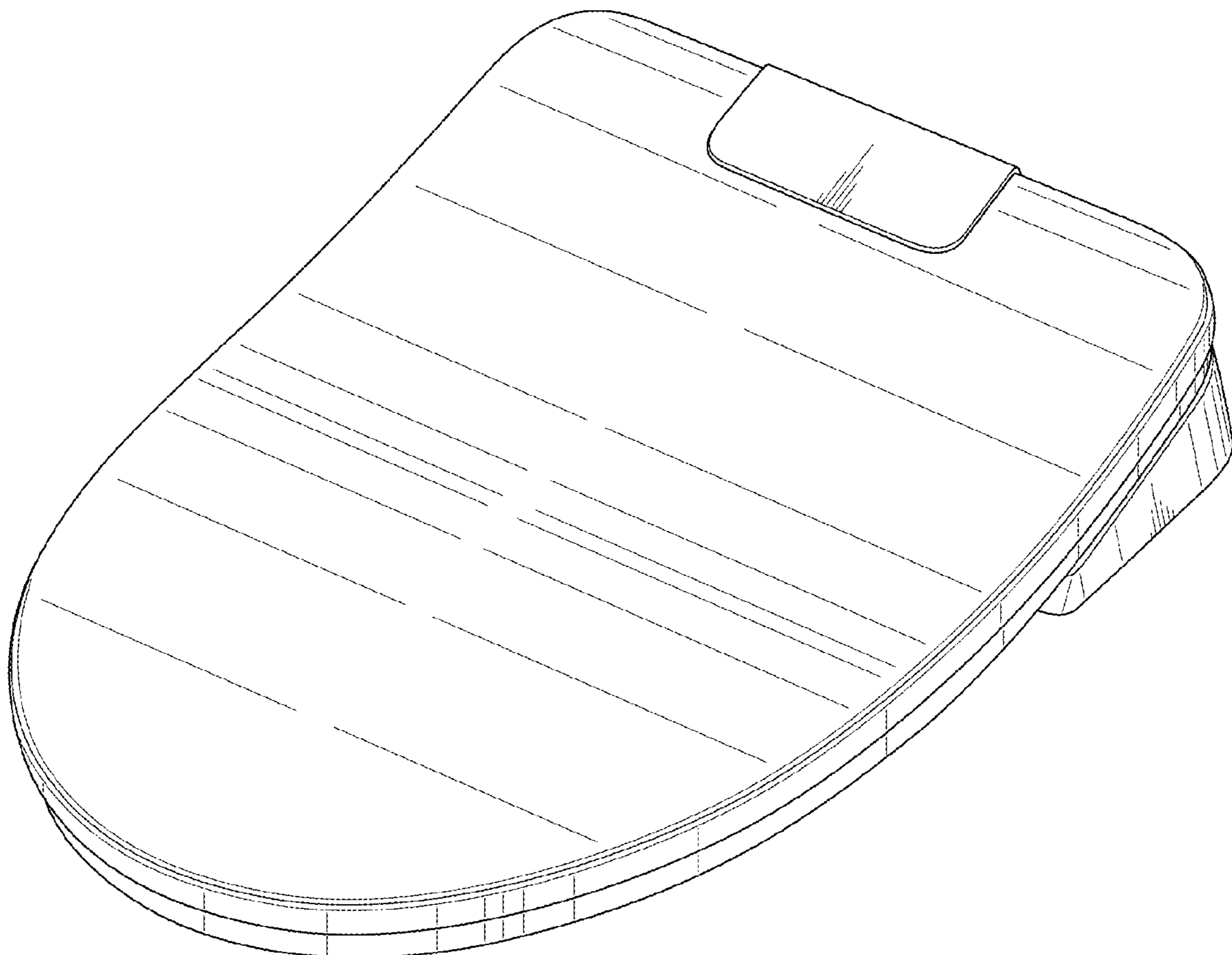


FIG. 1

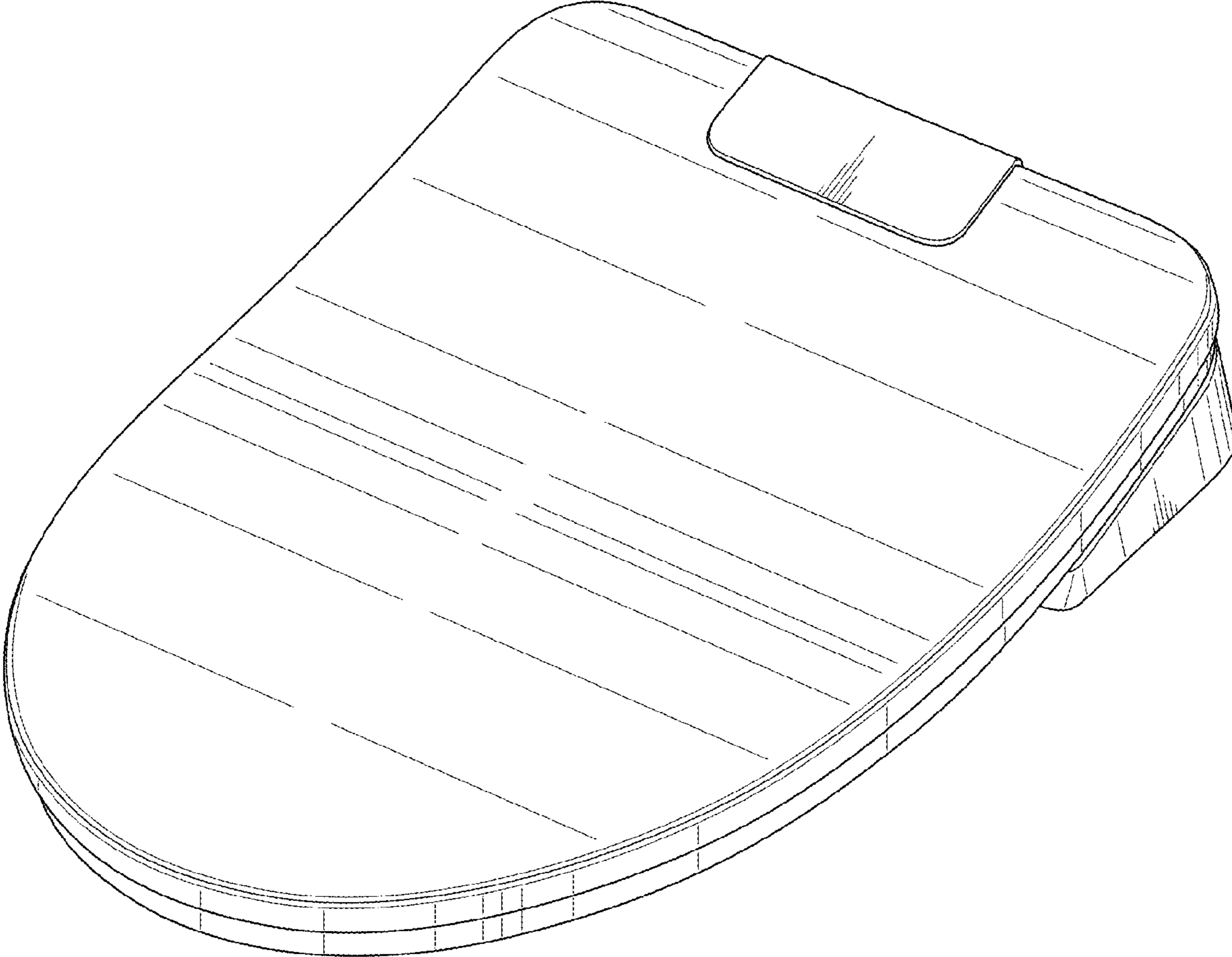


FIG. 2

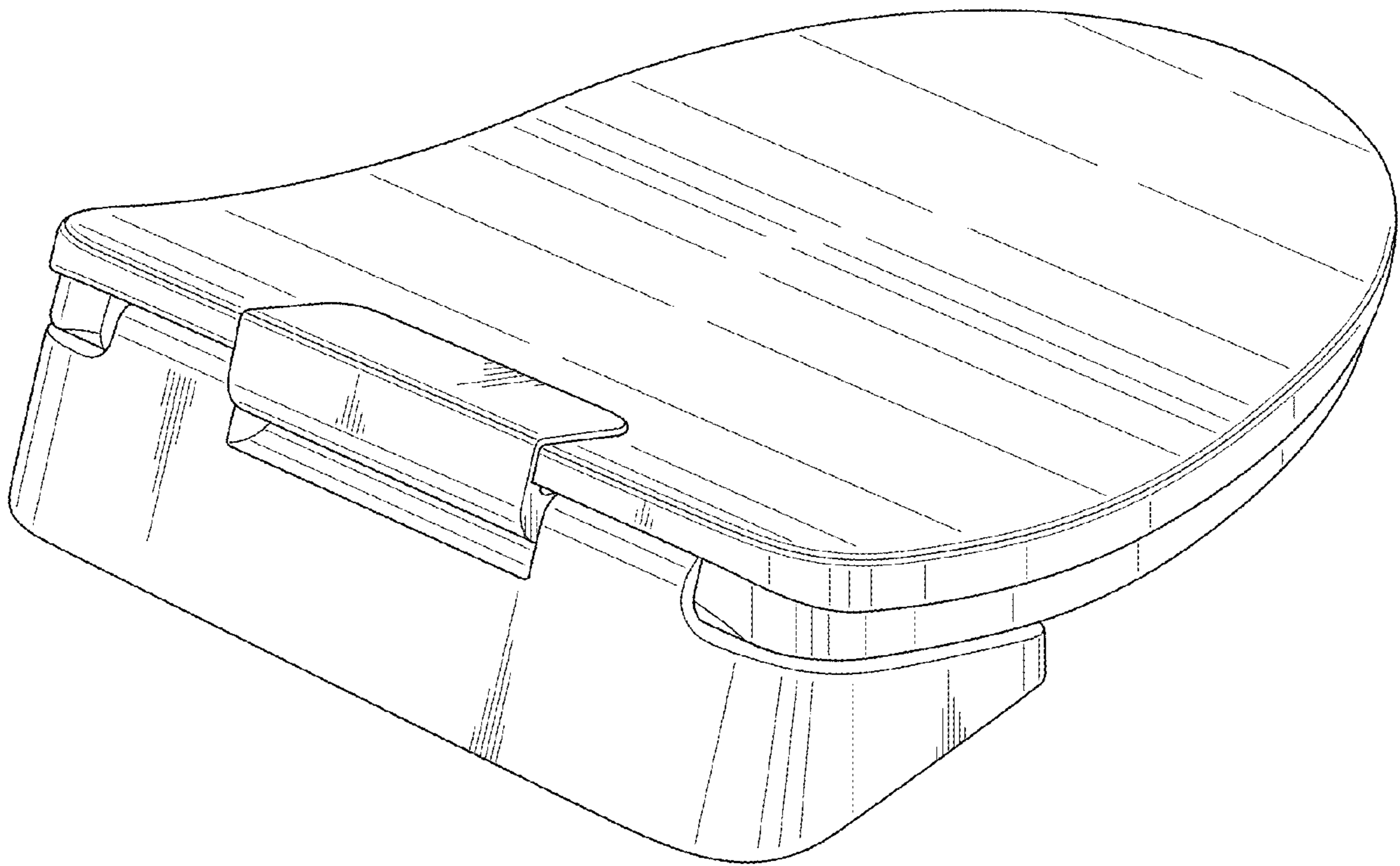


FIG. 3

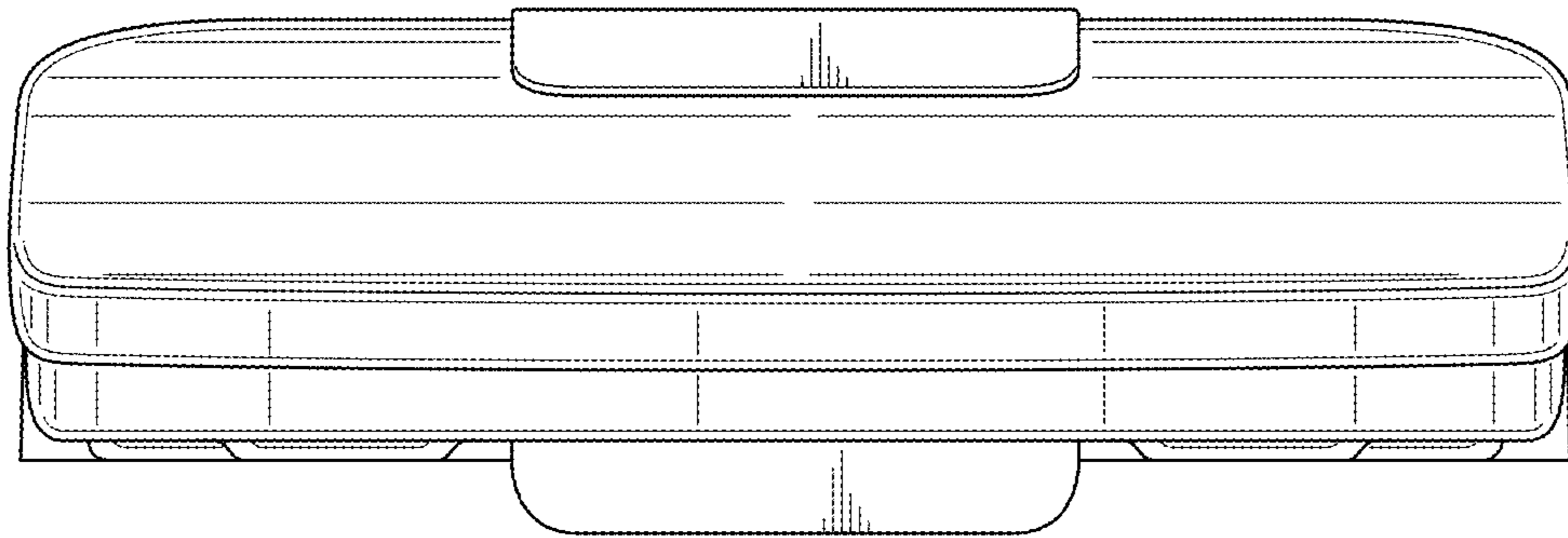


FIG. 4

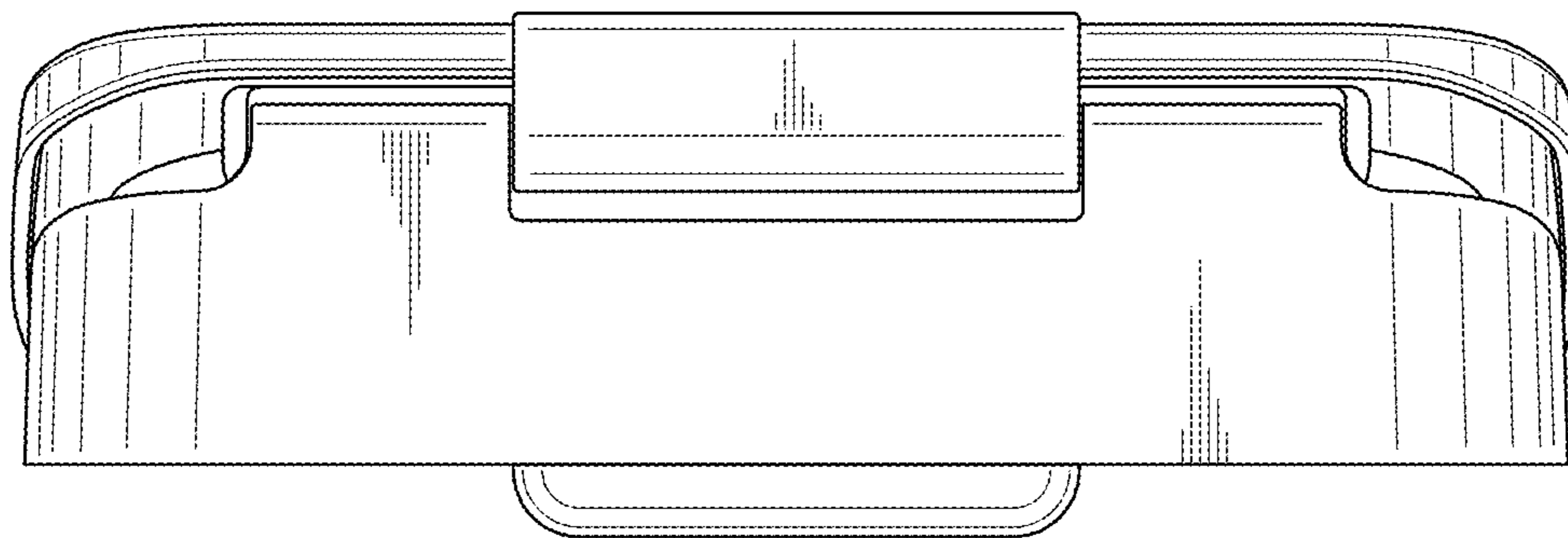


FIG. 5

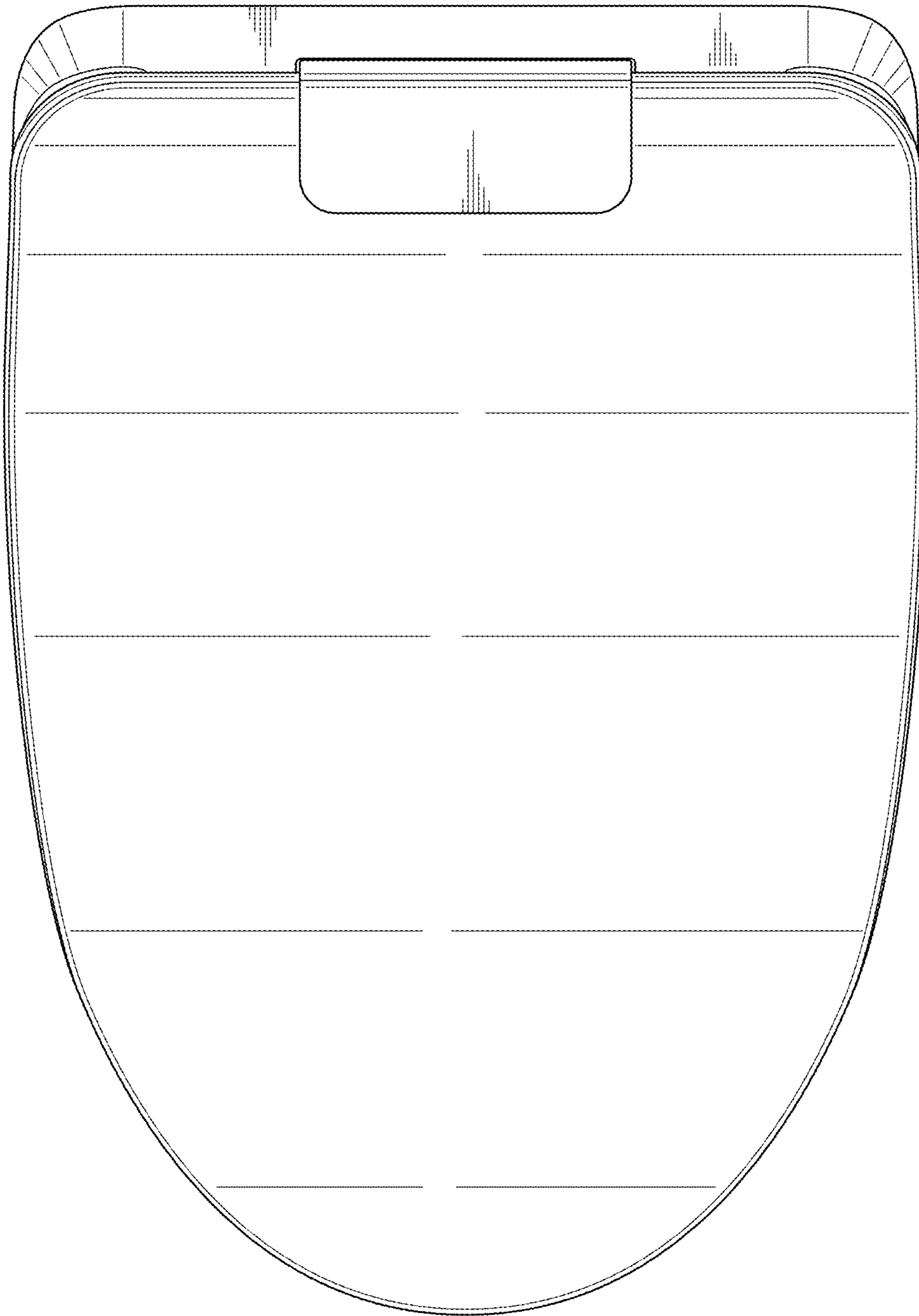


FIG. 6

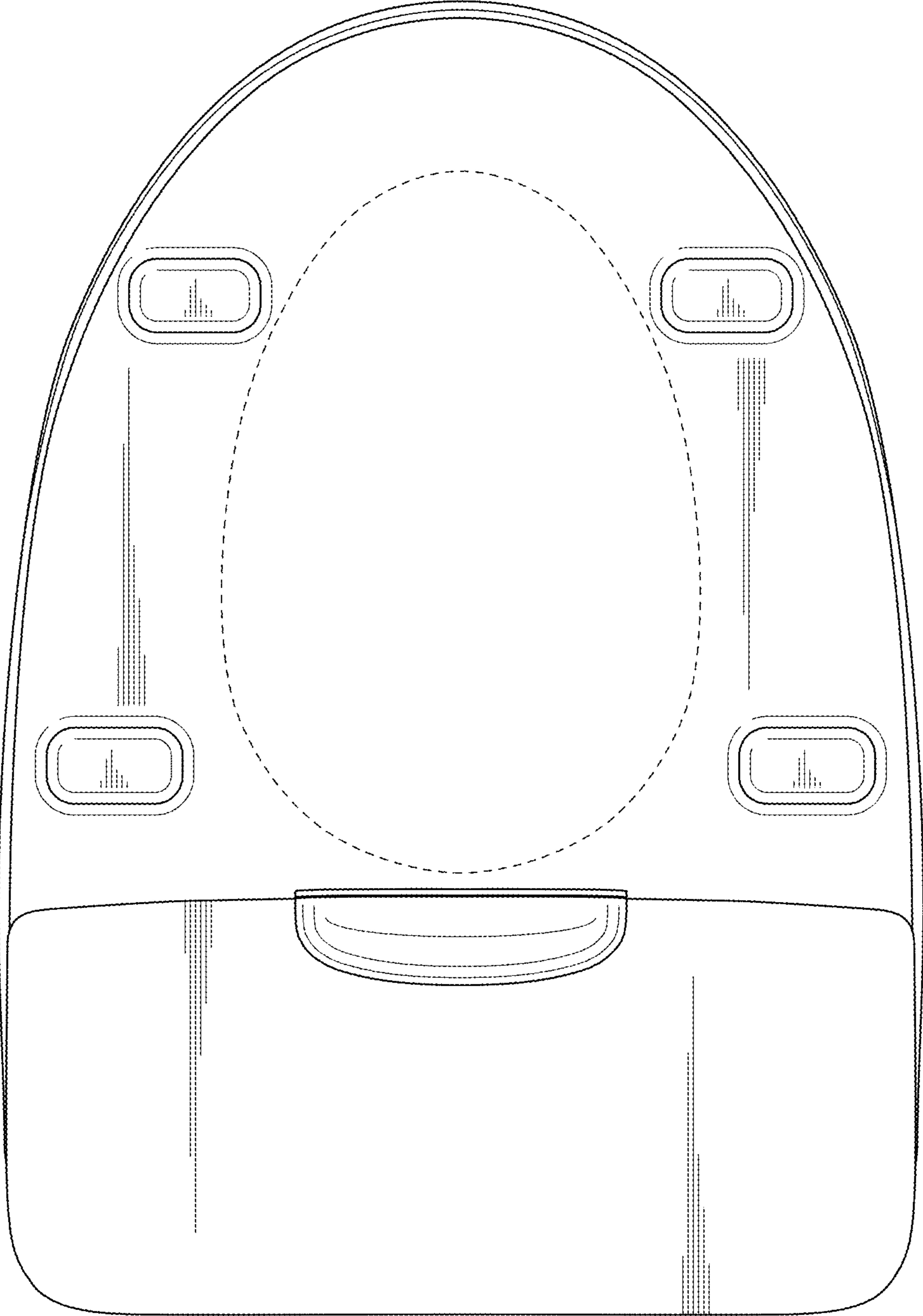


FIG. 7

