



US00D892999S

(12) **United States Design Patent** (10) **Patent No.:** **US D892,999 S**
Nakabayashi et al. (45) **Date of Patent:** **** Aug. 11, 2020**

(54) **TOILET SEAT COVER**
(71) Applicant: **TOTO, Ltd.**, Kitakyushu-shi, Fukuoka (JP)
(72) Inventors: **Hiroataka Nakabayashi**, Kitakyushu (JP); **Tomohiro Miyazaki**, Kitakyushu (JP)
(73) Assignee: **TOTO, Ltd.**, Kitakyushu-shi, Fukuoka (JP)
(**) Term: **15 Years**

(21) Appl. No.: **29/685,682**
(22) Filed: **Mar. 29, 2019**
(30) **Foreign Application Priority Data**
Jan. 19, 2019 (JP) 2019-000949
Jan. 19, 2019 (JP) 2019-000950

(51) **LOC (12) Cl.** **23-02**
(52) **U.S. Cl.**
USPC **D23/311**
(58) **Field of Classification Search**
USPC D23/295, 300-301, 309, 311-312
CPC A47K 13/00; A47K 13/005; A47K 13/02; A47K 13/04
See application file for complete search history.

(56) **References Cited**
U.S. PATENT DOCUMENTS
D594,943 S * 6/2009 Starck D23/301
D622,369 S * 8/2010 Takahashi D23/311

D811,565 S * 2/2018 Dong D23/311
D848,588 S * 5/2019 L'Henaff D23/295
D866,731 S * 11/2019 Richter D23/311

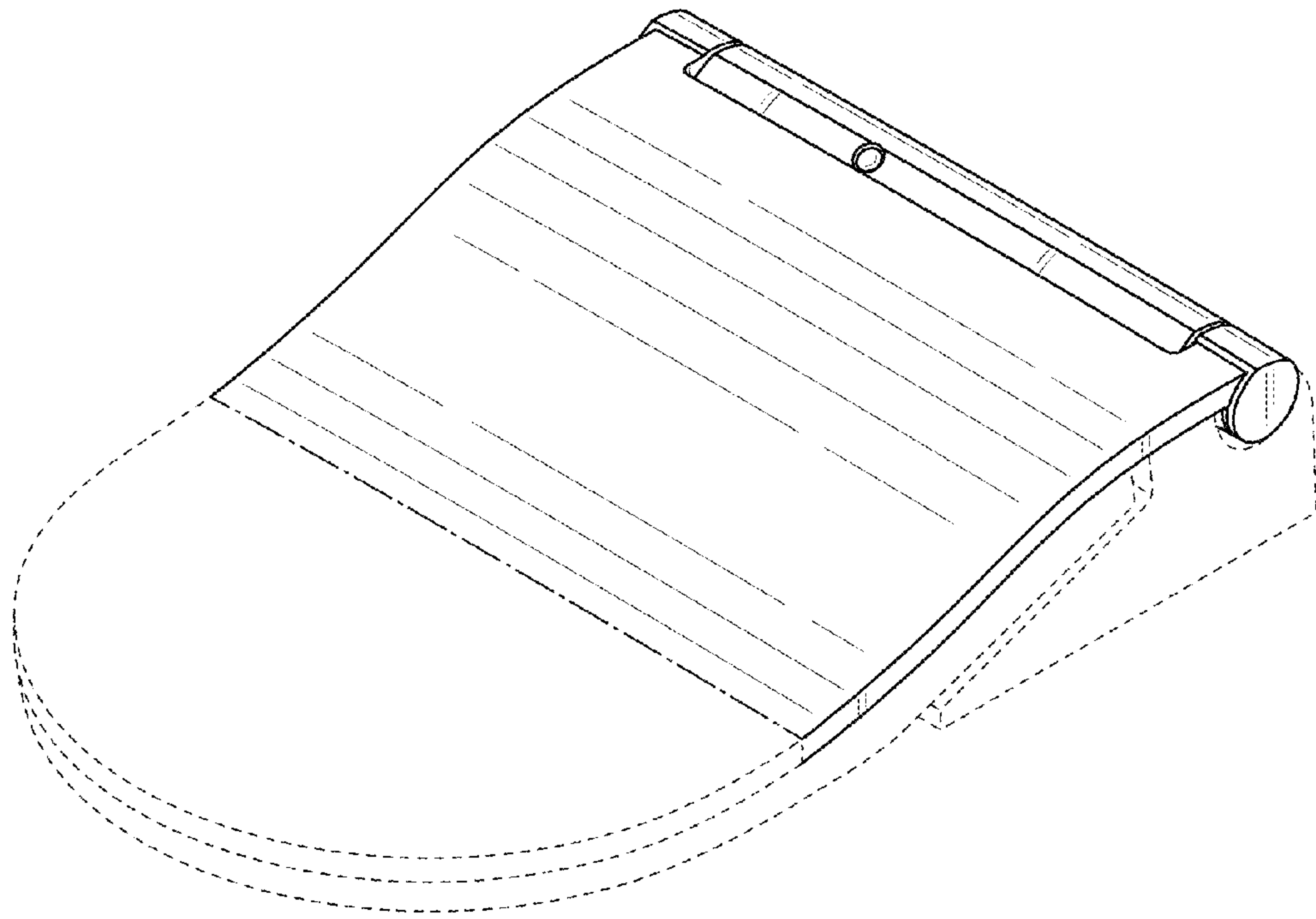
* cited by examiner
Primary Examiner — Robert A Delehanty
(74) *Attorney, Agent, or Firm* — Banner & Witcoff, Ltd.

(57) **CLAIM**
The ornamental design for a toilet seat cover, as shown and described.

DESCRIPTION

FIG. 1 is a perspective view of a first embodiment of a toilet seat cover showing our new design;
FIG. 2 is a front view thereof;
FIG. 3 is a rear view thereof;
FIG. 4 is a left side view thereof;
FIG. 5 is a right side view thereof;
FIG. 6 is a top view thereof;
FIG. 7 is a bottom view thereof;
FIG. 8 is a perspective view of a second embodiment of a toilet seat cover showing our new design;
FIG. 9 is a front view thereof;
FIG. 10 is a rear view thereof;
FIG. 11 is a left side view thereof;
FIG. 12 is a right side view thereof;
FIG. 13 is a top view thereof; and,
FIG. 14 is a bottom view thereof.
The broken lines in the figures are included for the purpose of illustrating portions of the toilet seat cover that form no part of the claimed design.
The dash-dot-dash broken lines shown in the figures represent an unclaimed boundary between claimed and unclaimed subject matter.

1 Claim, 8 Drawing Sheets



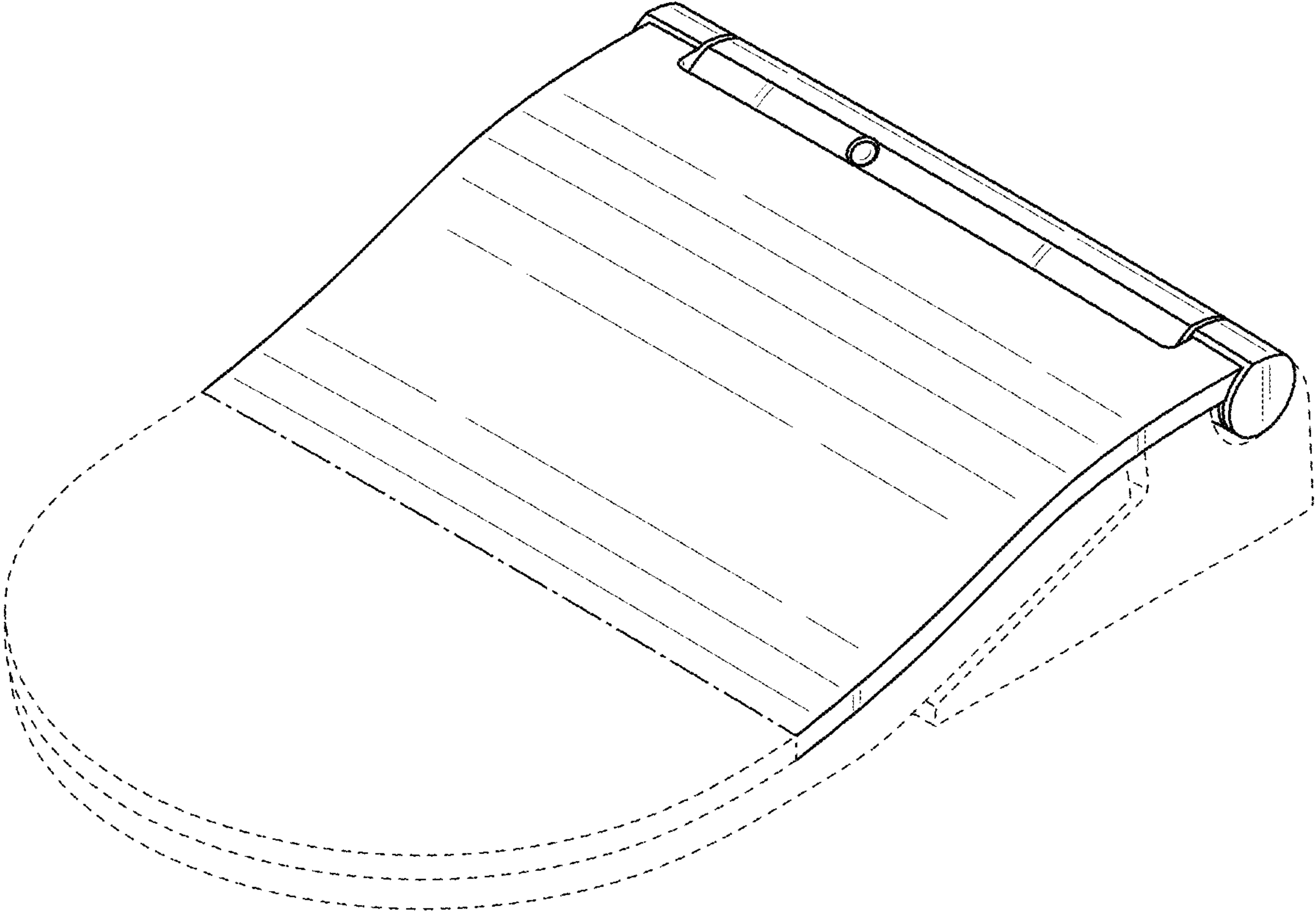


FIG. 1

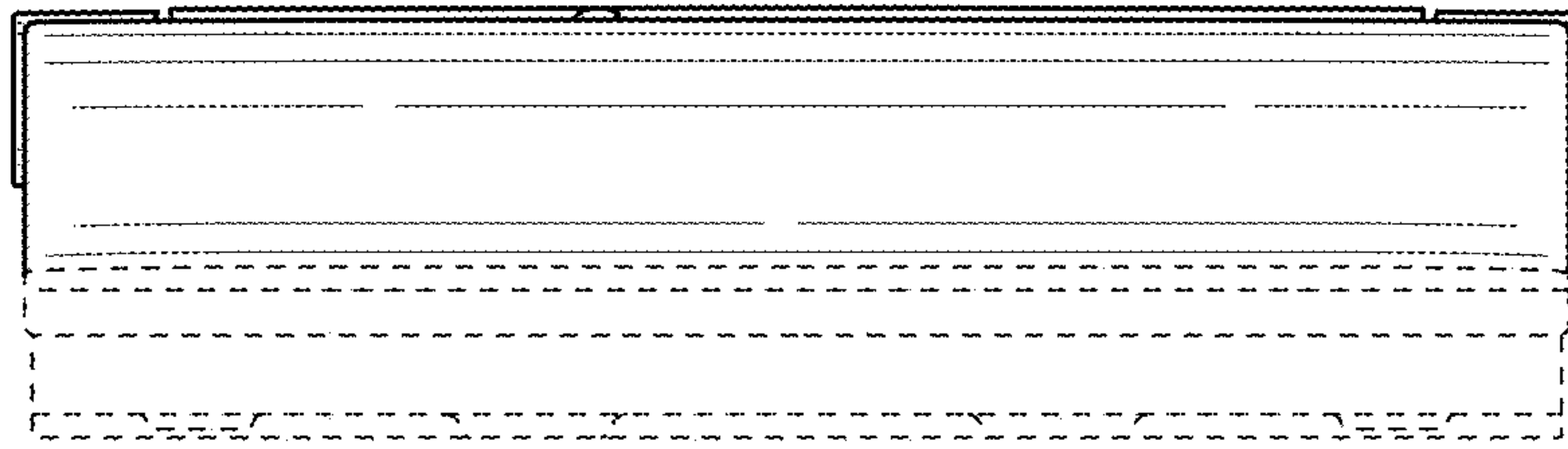


FIG. 2

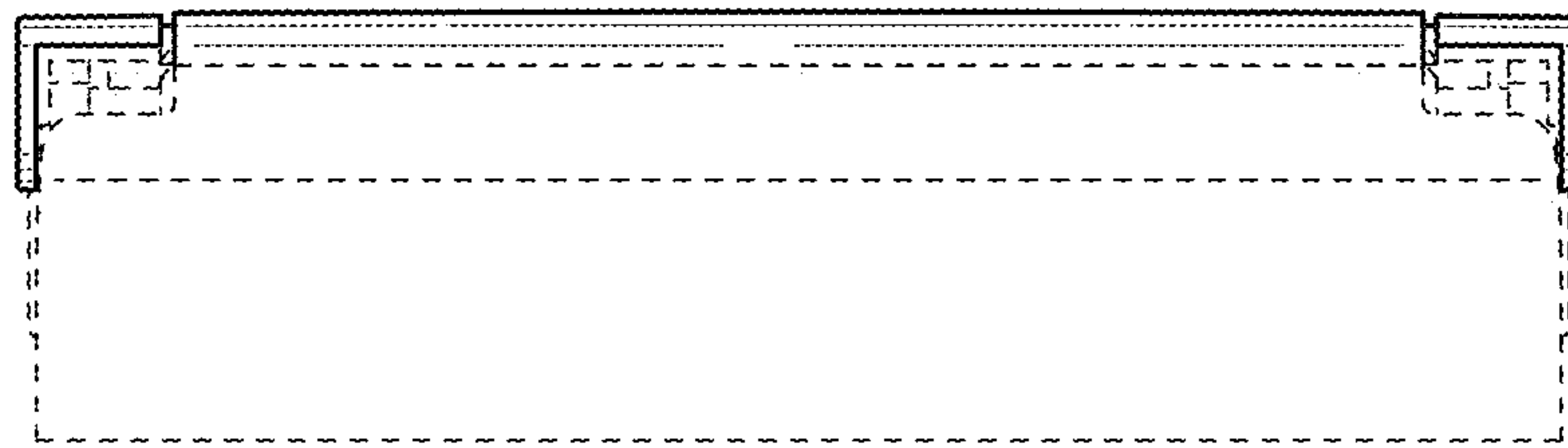


FIG. 3

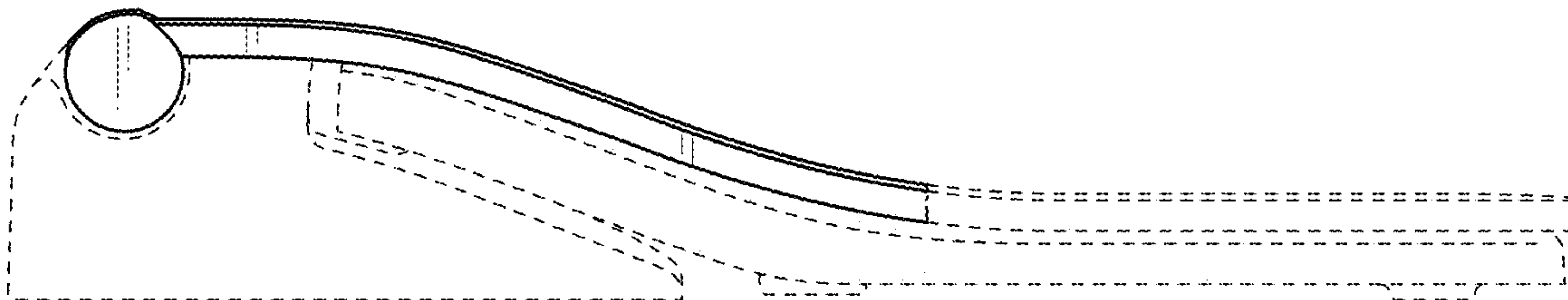


FIG. 4

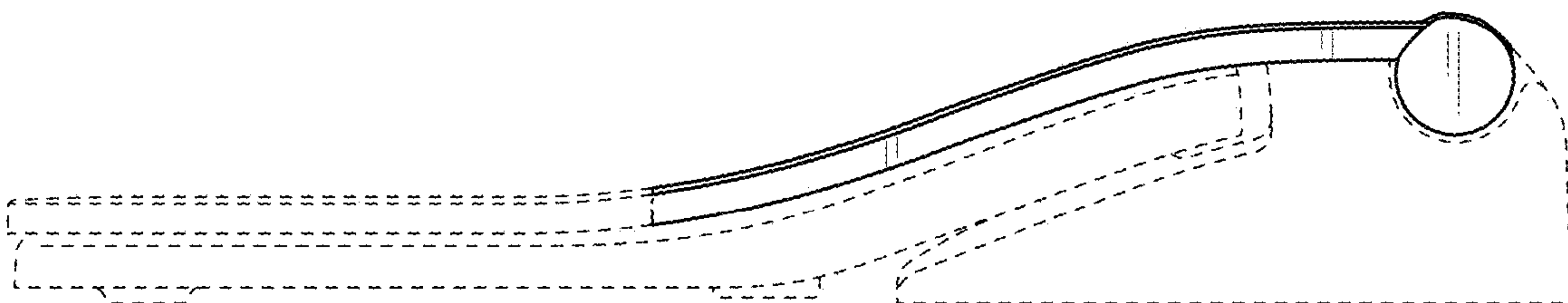


FIG. 5

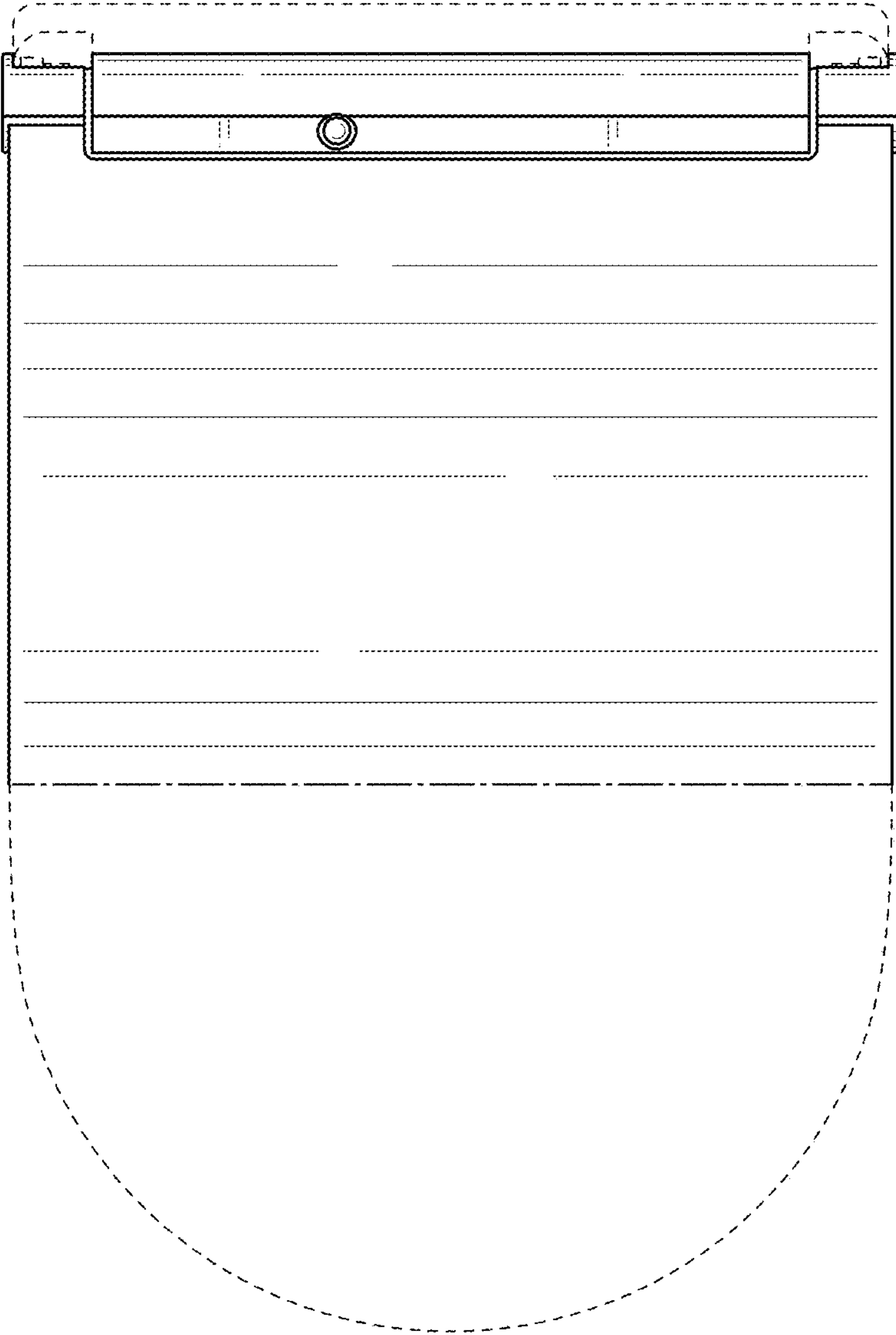


FIG. 6

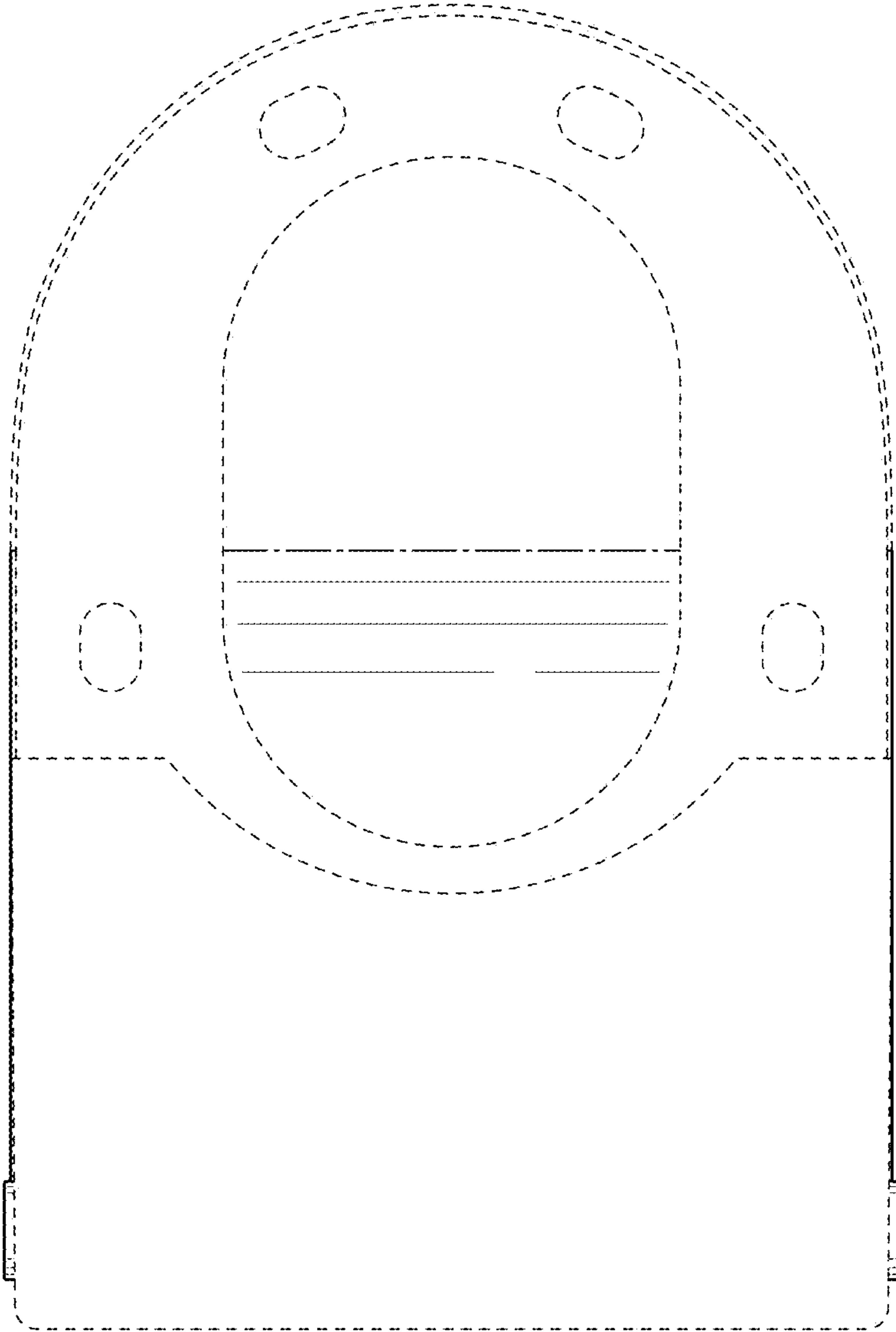


FIG. 7

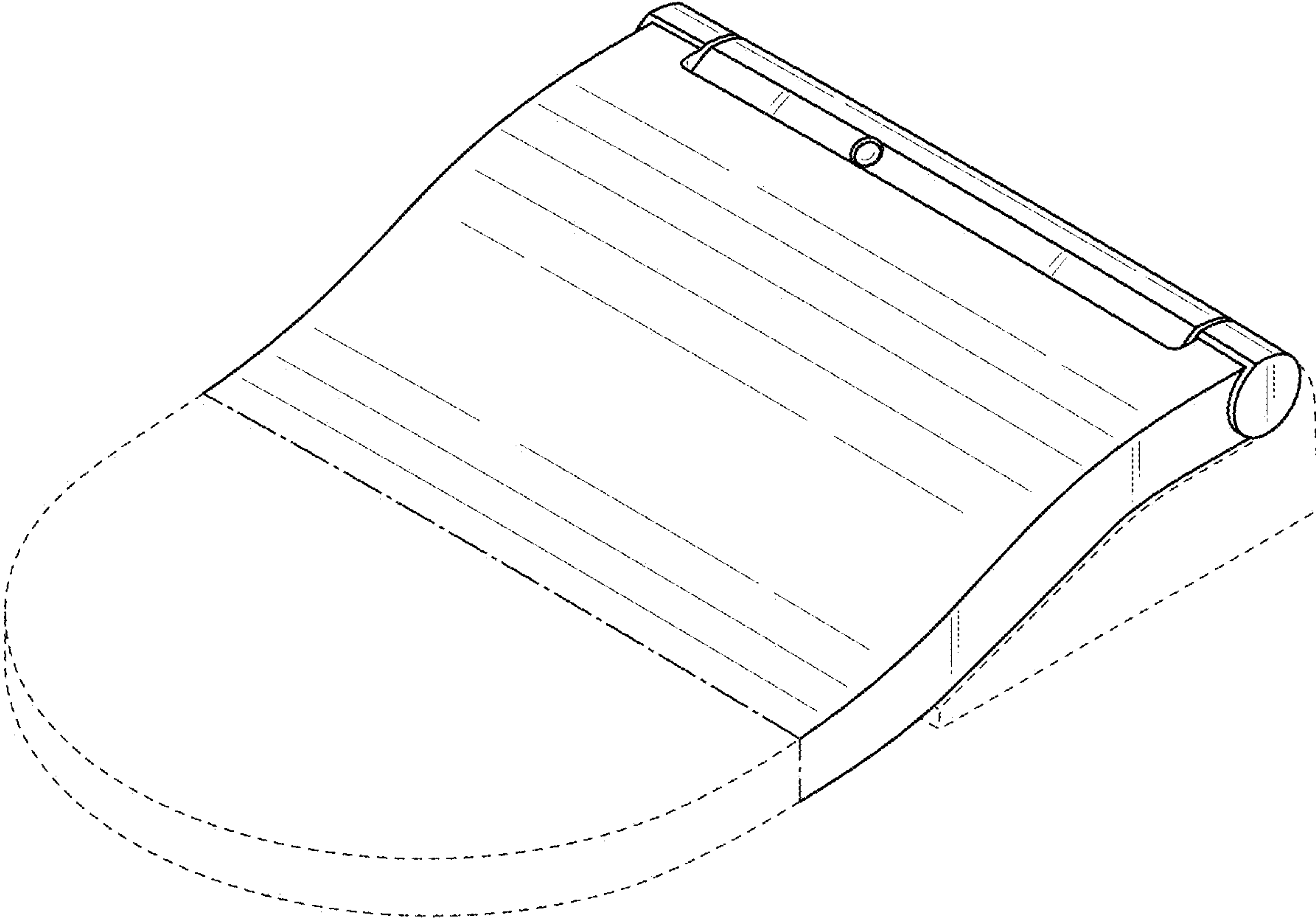


FIG. 8

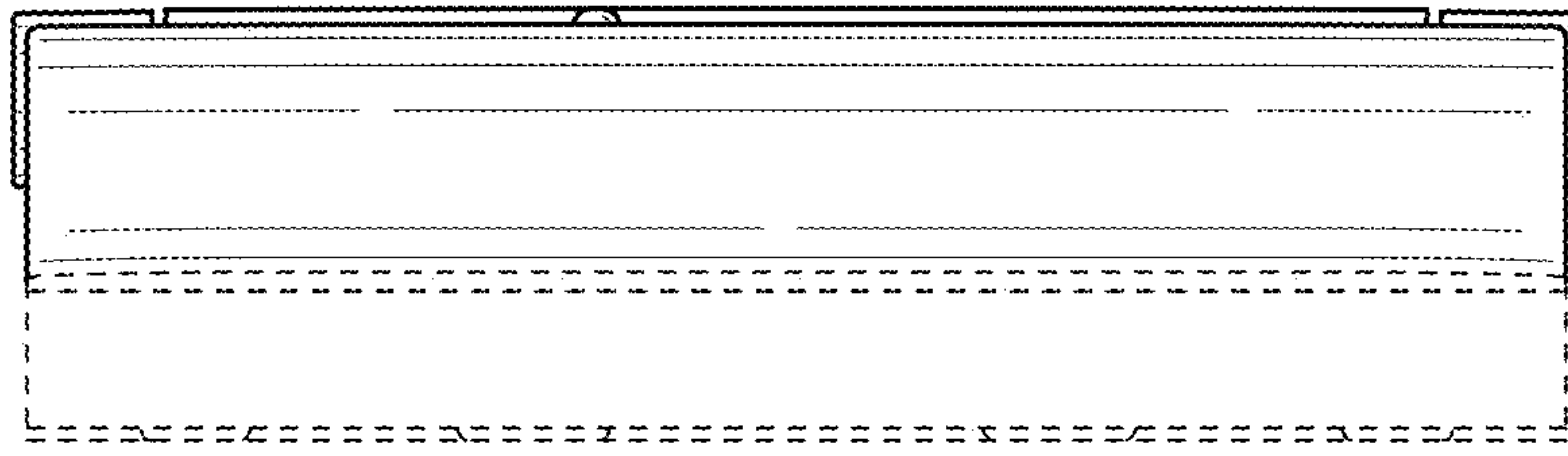


FIG. 9

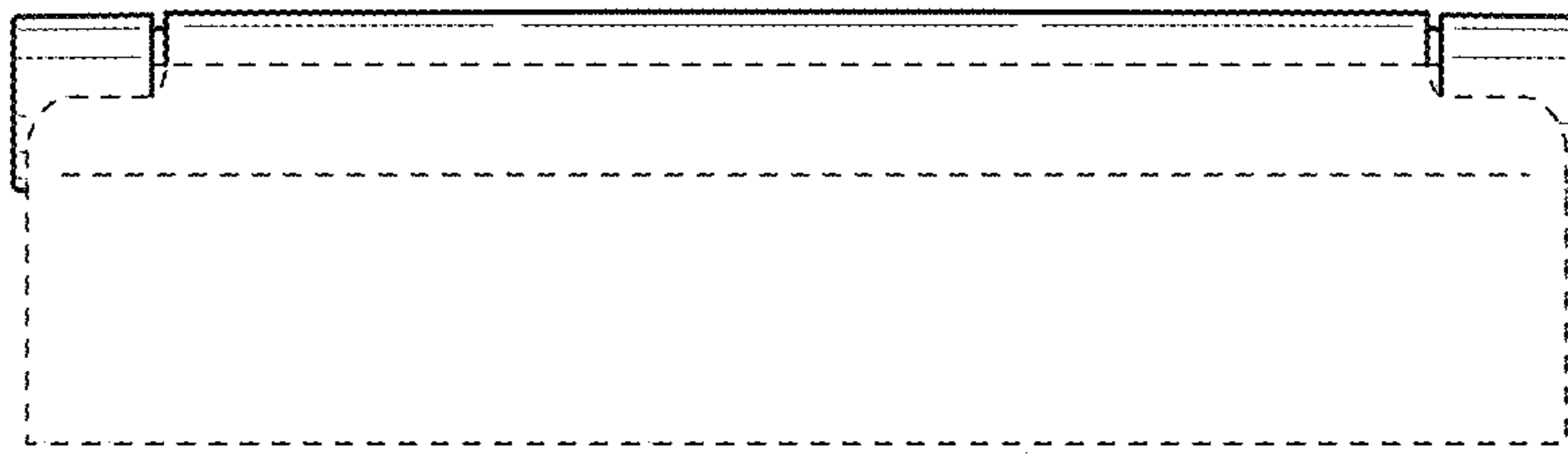


FIG. 10

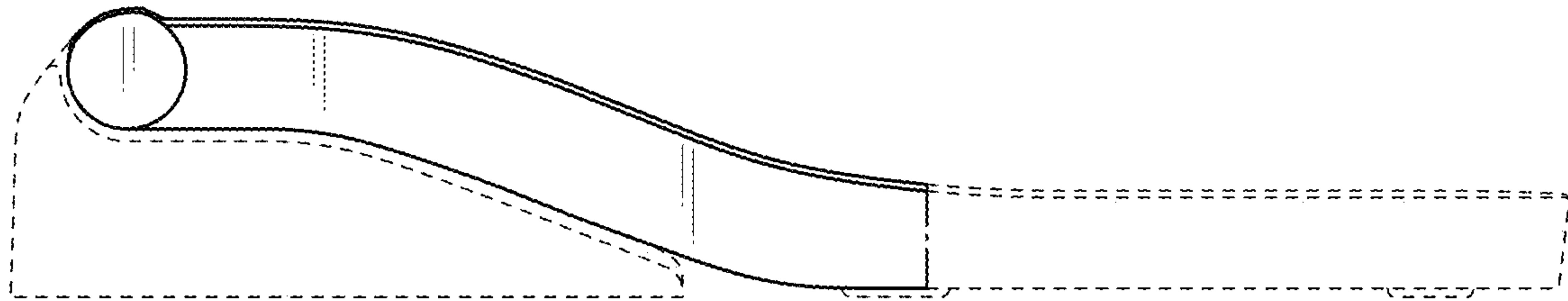


FIG. 11

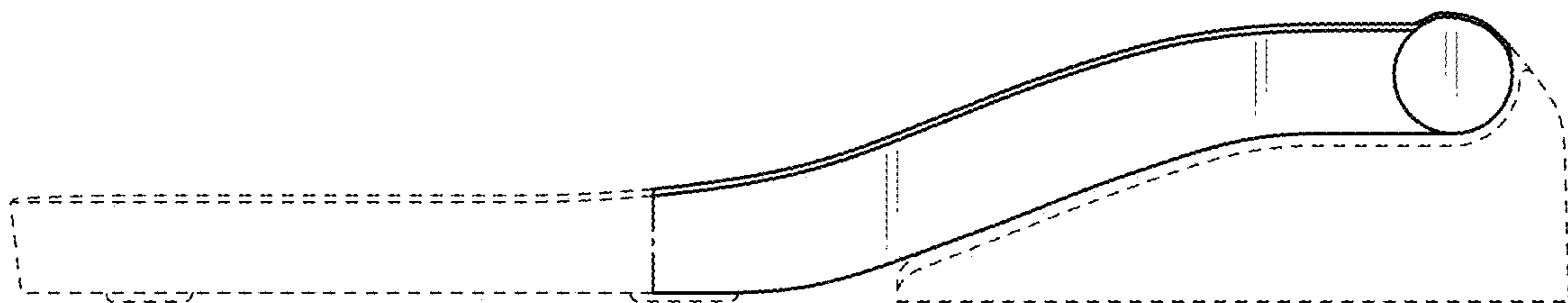


FIG. 12

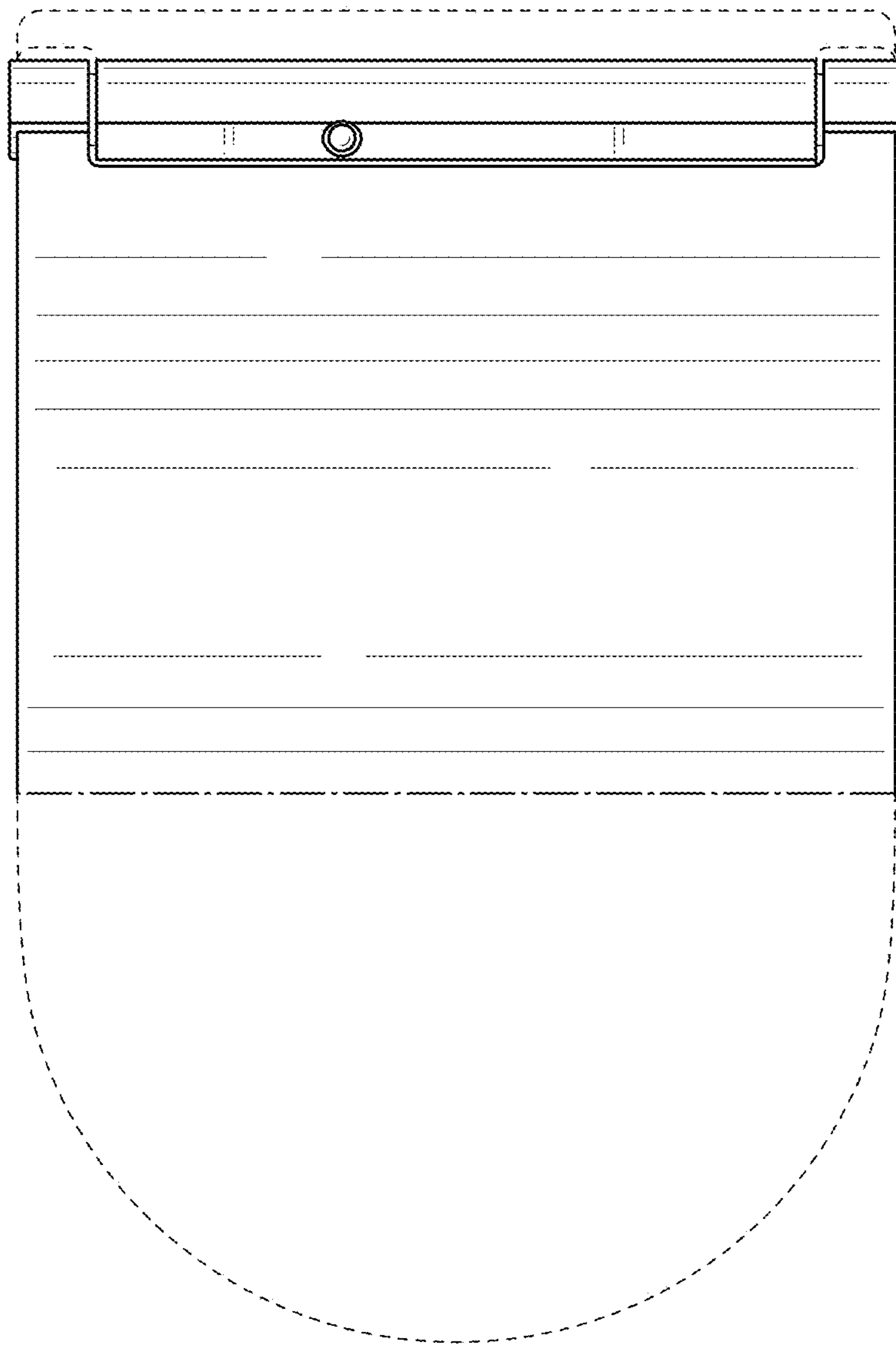


FIG. 13

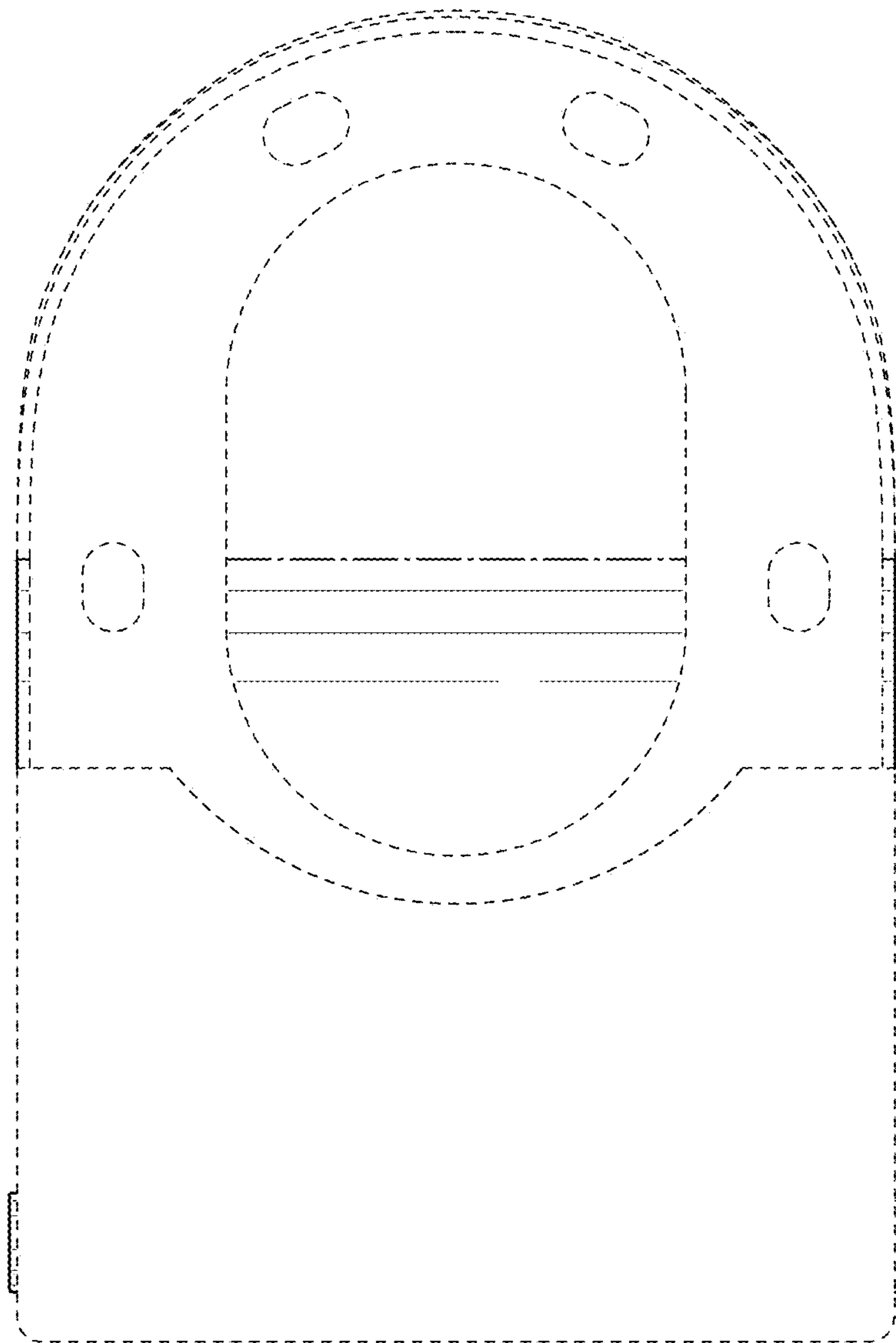


FIG. 14