



US00D892998S

(12) **United States Design Patent**
Garrels et al.

(10) **Patent No.:** **US D892,998 S**

(45) **Date of Patent:** **** Aug. 11, 2020**

(54) **TOILET**

(71) Applicant: **Kohler Co.**, Kohler, WI (US)

(72) Inventors: **Clayton C. Garrels**, Kohler, WI (US);
Robin A. Goad, Sheboygan, WI (US)

(73) Assignee: **KOHLER CO.**, Kohler, WI (US)

(**) Term: **15 Years**

(21) Appl. No.: **29/701,957**

(22) Filed: **Aug. 15, 2019**

Related U.S. Application Data

(62) Division of application No. 29/640,360, filed on Mar. 14, 2018, now Pat. No. Des. 863,517, which is a division of application No. 29/567,490, filed on Jun. 9, 2016, now Pat. No. Des. 815,718.

(51) **LOC (12) Cl.** **23-02**

(52) **U.S. Cl.**
USPC **D23/309**

(58) **Field of Classification Search**
USPC D23/295-303, 309, 311-313
CPC A47K 11/02; A47K 11/026; A47K 11/00;
A47K 13/00; E03D 11/18; E03D 5/10;
E03D 13/00

See application file for complete search history.

(56) **References Cited**

U.S. PATENT DOCUMENTS

D292,431 S	10/1987	Kohler, Jr.
D310,407 S	9/1990	Stairs, Jr.
D323,880 S	2/1992	McKeone et al.
D344,579 S	2/1994	Kohler, Jr. et al.
D372,961 S	8/1996	Bonnell et al.
D379,217 S	5/1997	Kergoet
D397,214 S	8/1998	Felker
D437,634 S	2/2001	Hundley
D439,638 S	3/2001	Hundley

D507,335 S	7/2005	Gordon
D507,822 S	7/2005	Bucher
D514,208 S	1/2006	Gordon
D520,615 S	5/2006	Hou
D532,875 S	11/2006	Kaule
D594,942 S	6/2009	Slothower
D672,019 S	12/2012	Bucher
D687,933 S	8/2013	Kennedy
D690,402 S	9/2013	Bates et al.
D697,579 S	1/2014	O'Grady

(Continued)

OTHER PUBLICATIONS

Barrington Pressure Lite Toilet, Kohler Fixtures, Suggested Price Book, p. 311, dated Jan. 15, 2005.

(Continued)

Primary Examiner — Lakiya G Rogers

Assistant Examiner — John A Voytek

(74) *Attorney, Agent, or Firm* — Foley & Lardner LLP

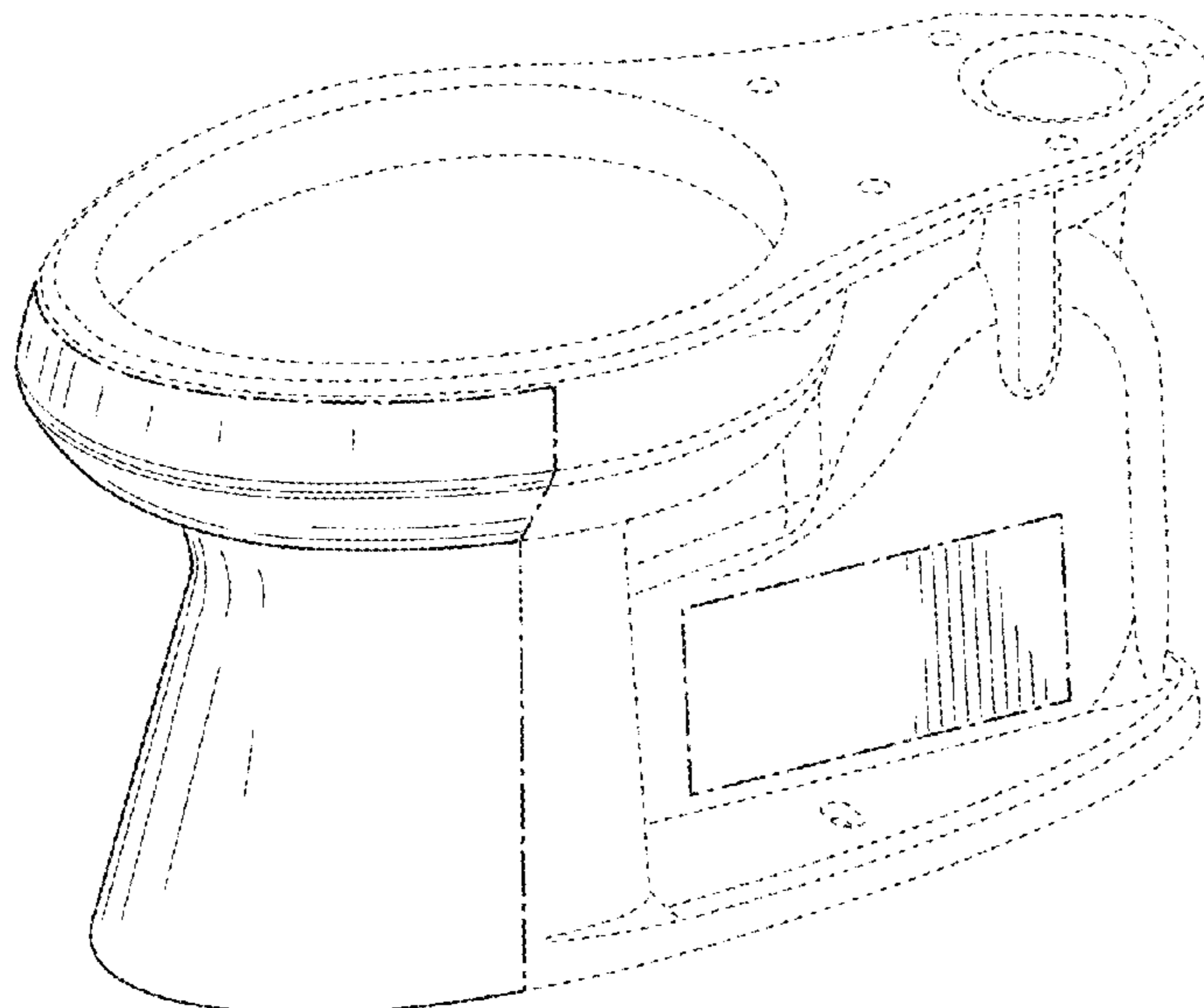
(57) **CLAIM**

We claim the ornamental design for a toilet, as shown and described.

DESCRIPTION

FIG. 1 is a perspective view of a toilet;
FIG. 2 is a top view of the toilet shown in FIG. 1;
FIG. 3 is a bottom view of the toilet shown in FIG. 1;
FIG. 4 is a front view of the toilet shown in FIG. 1;
FIG. 5 is rear view of the toilet shown in FIG. 1;
FIG. 6 is a side view of the toilet shown in FIG. 1; and,
FIG. 7 is a another side view of the toilet shown in FIG. 1.
The broken lines in the drawings form no part of the claimed design. Broken lines formed by equal length dashes show unclaimed subject matter. Broken lines formed of unequal length dashes (i.e., dash-dot) define bounds of the claimed design.

1 Claim, 7 Drawing Sheets



(56)

References Cited

U.S. PATENT DOCUMENTS

D702,331 S * 4/2014 Garland D23/295
D749,710 S 2/2016 Eads
D751,679 S 3/2016 McNinch
D751,680 S 3/2016 McNinch
D797,911 S * 9/2017 Mesun D23/301
D798,425 S * 9/2017 Mesun D23/301
D806,842 S * 1/2018 Goad D23/301
D815,718 S * 4/2018 Garrels D23/301
D824,006 S * 7/2018 Goad D23/309
D829,871 S * 10/2018 Garrels D23/301
D863,517 S * 10/2019 Garrels D23/309

OTHER PUBLICATIONS

Pinoir Comfort Height Toilet, Kohler Fixtures, Suggested Price Book, p. 264, dated Jan. 13, 2007.

Wellworth Comfort Height Toilet with Concealed Trapway, Kohler Fixtures, Suggested Price Book, p. 265, dated Jan. 13, 2007.

* cited by examiner

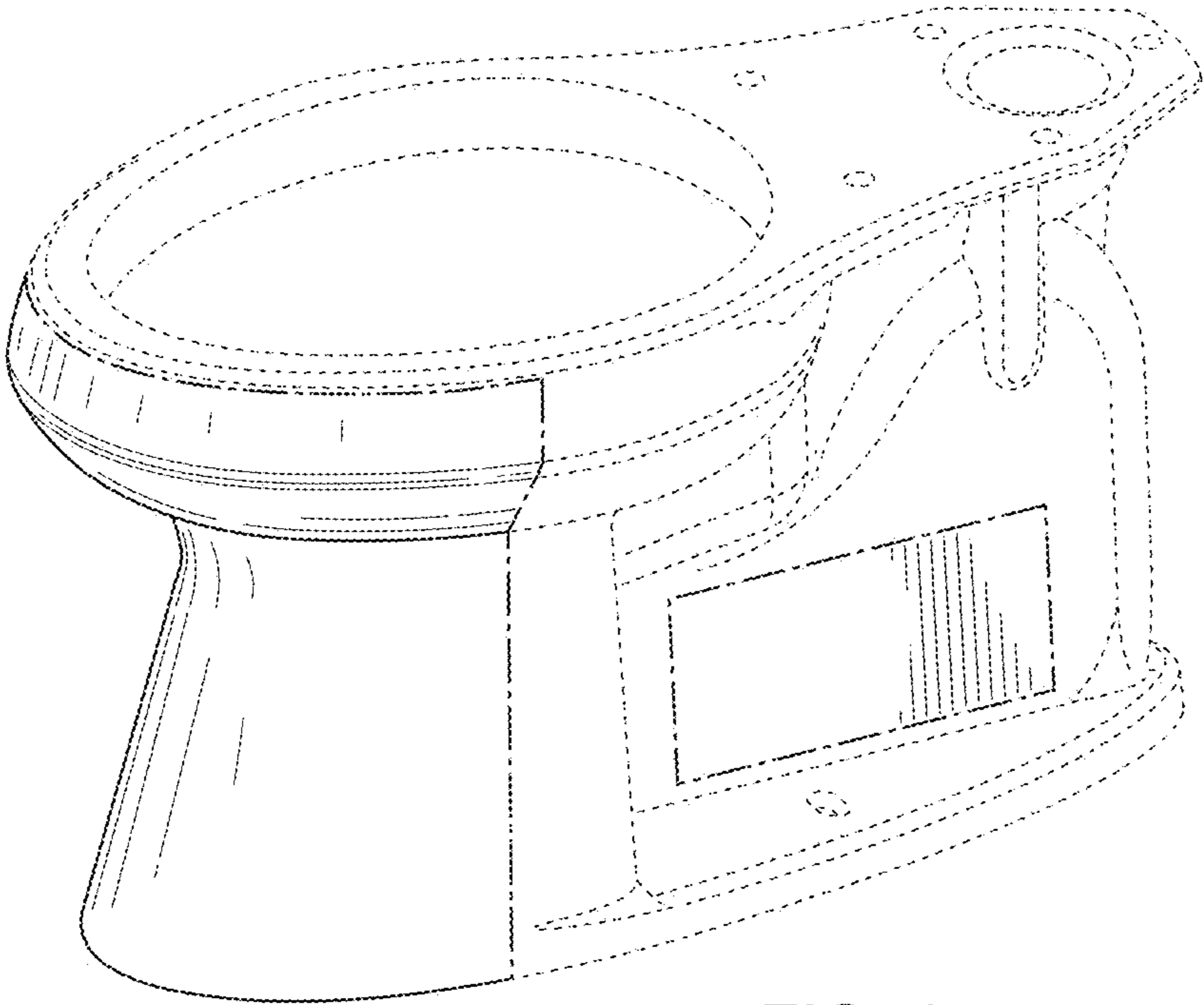


FIG. 1

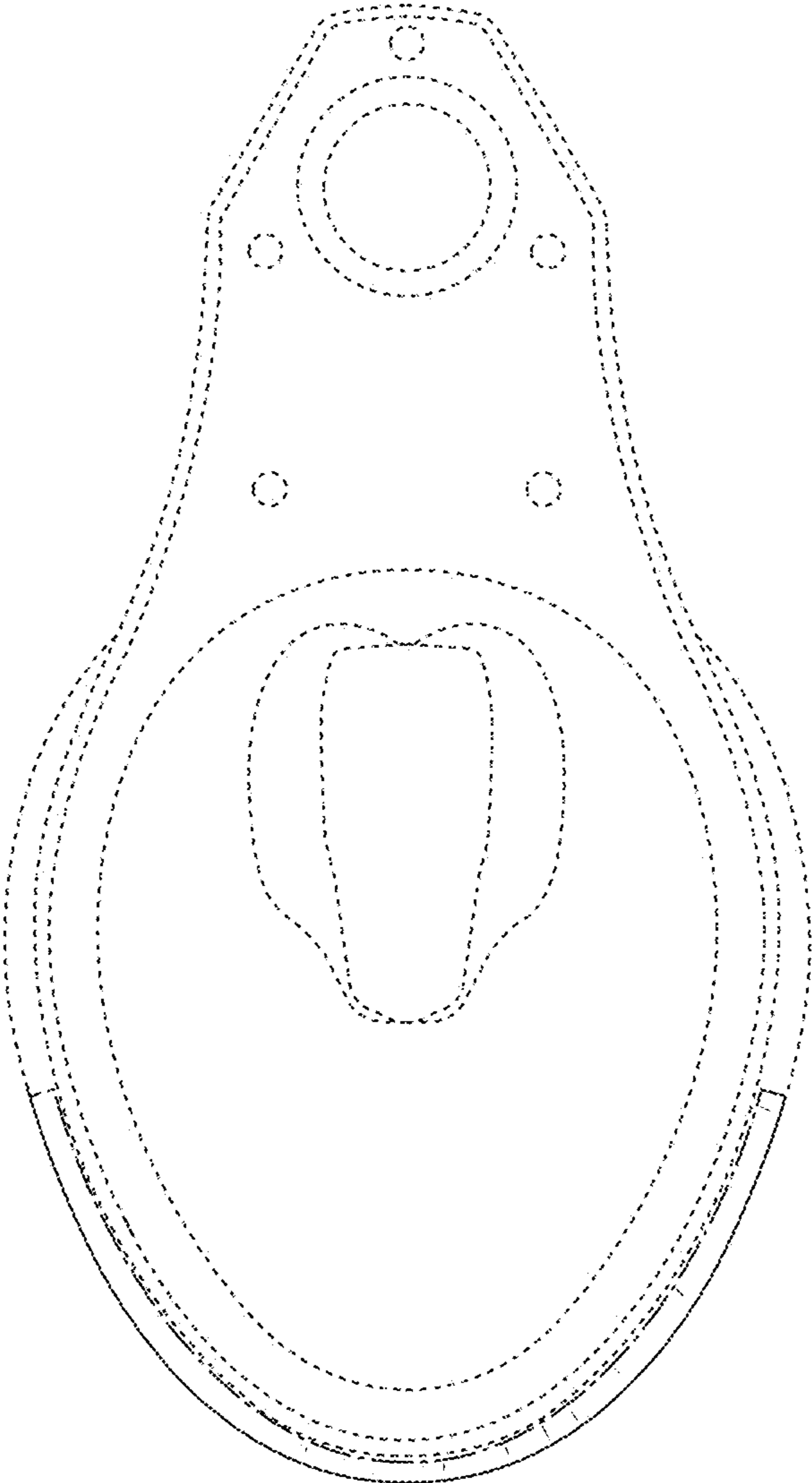


FIG. 2

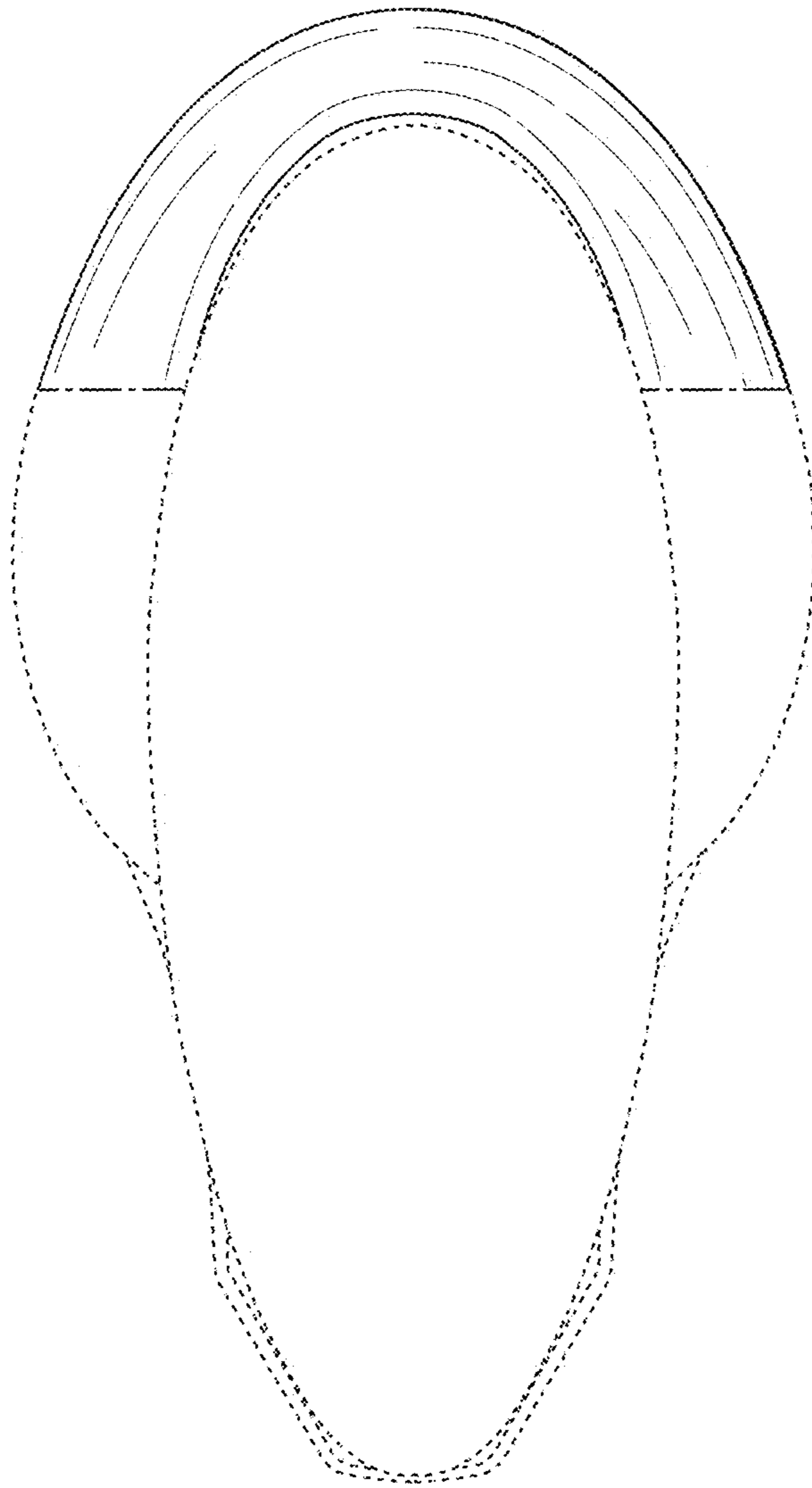


FIG. 3

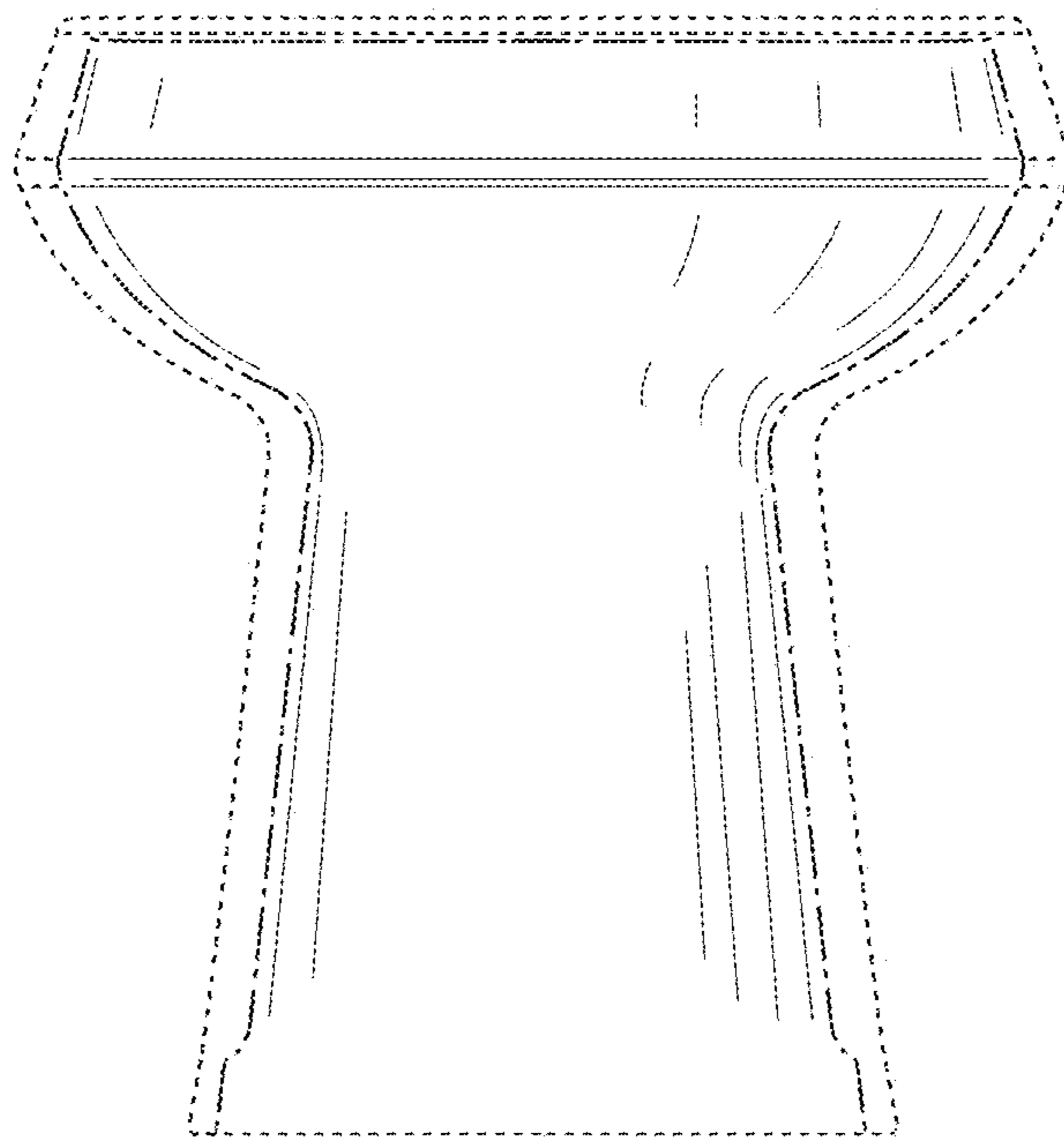


FIG. 4

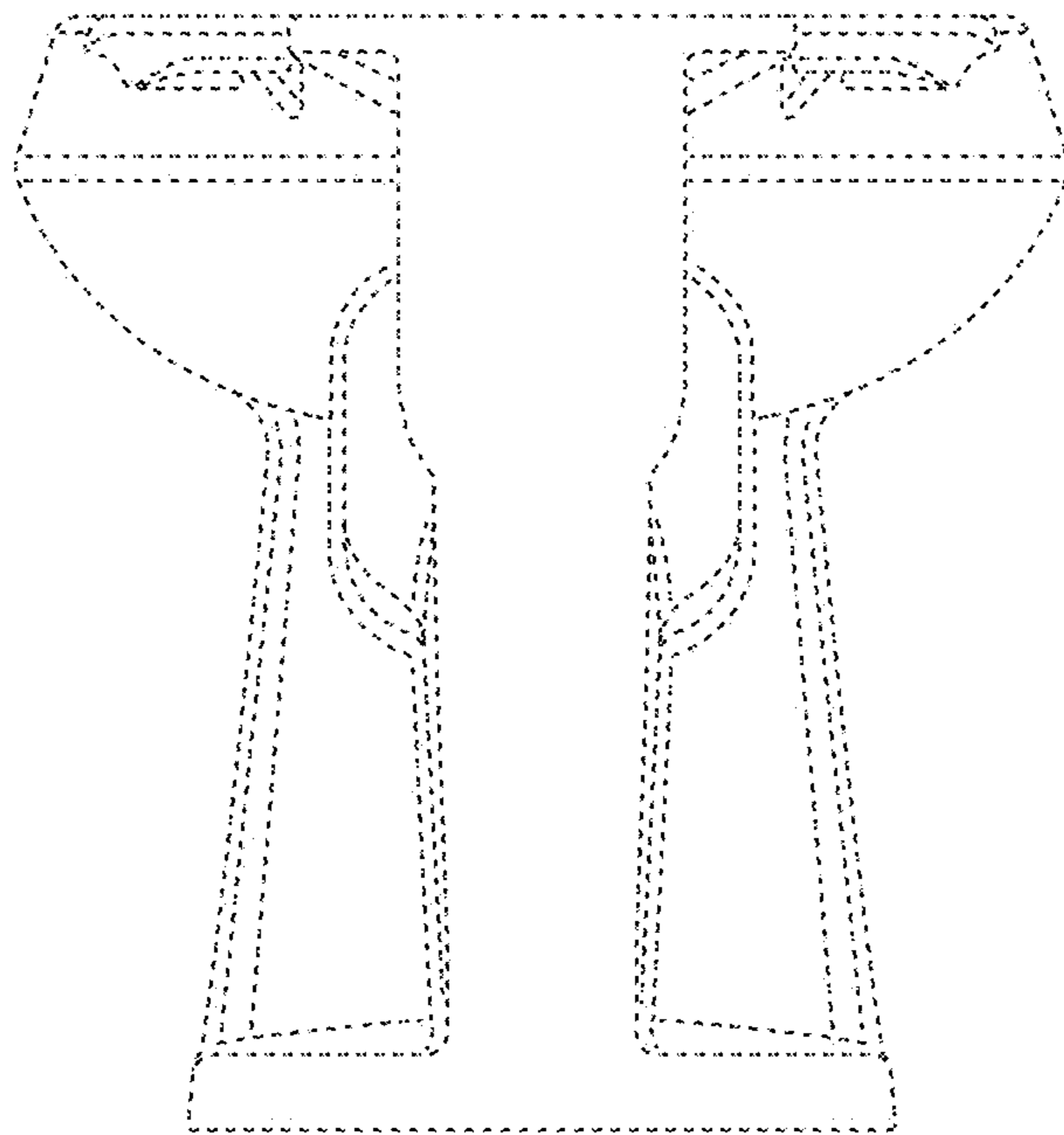


FIG. 5

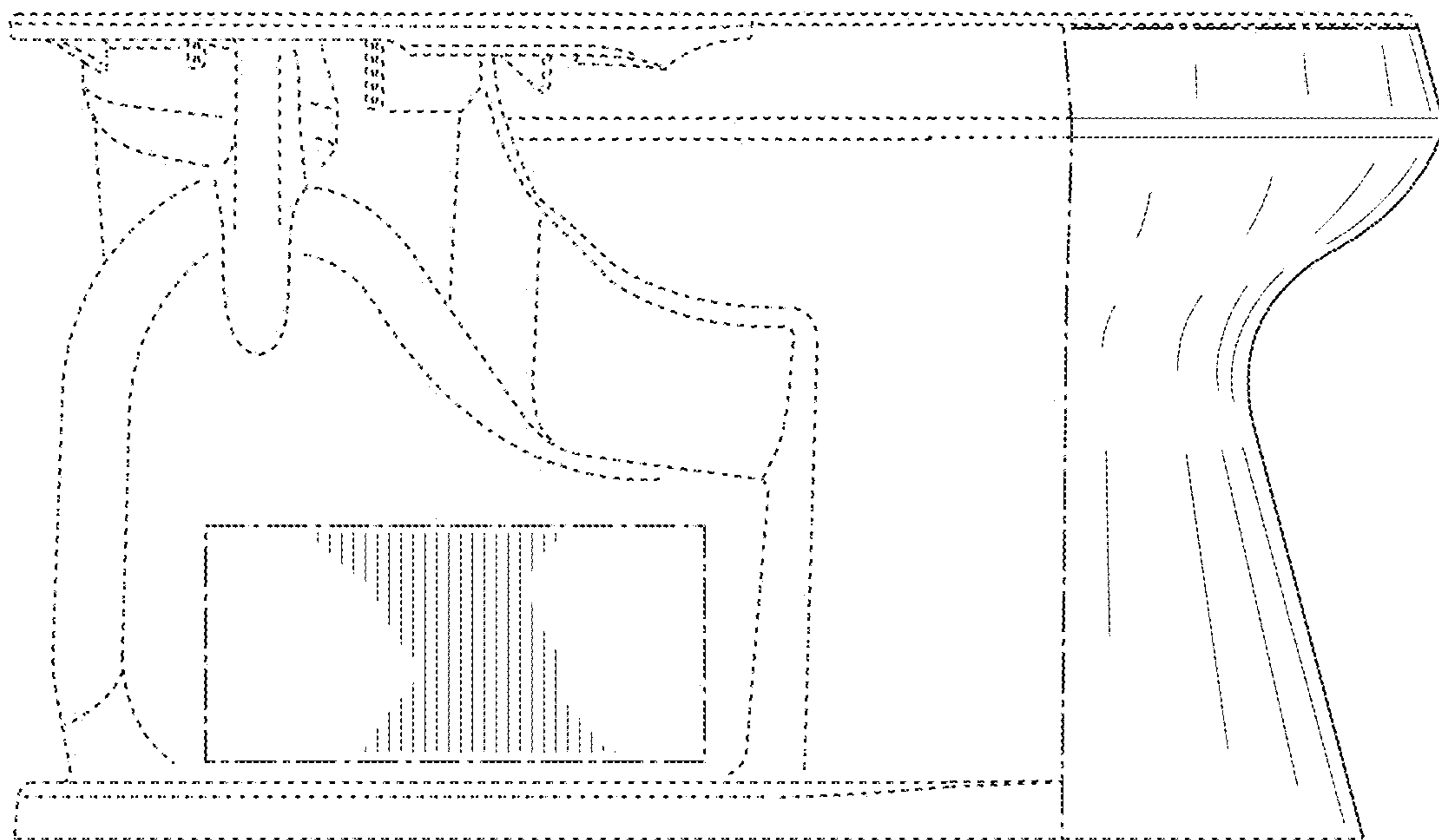


FIG. 6

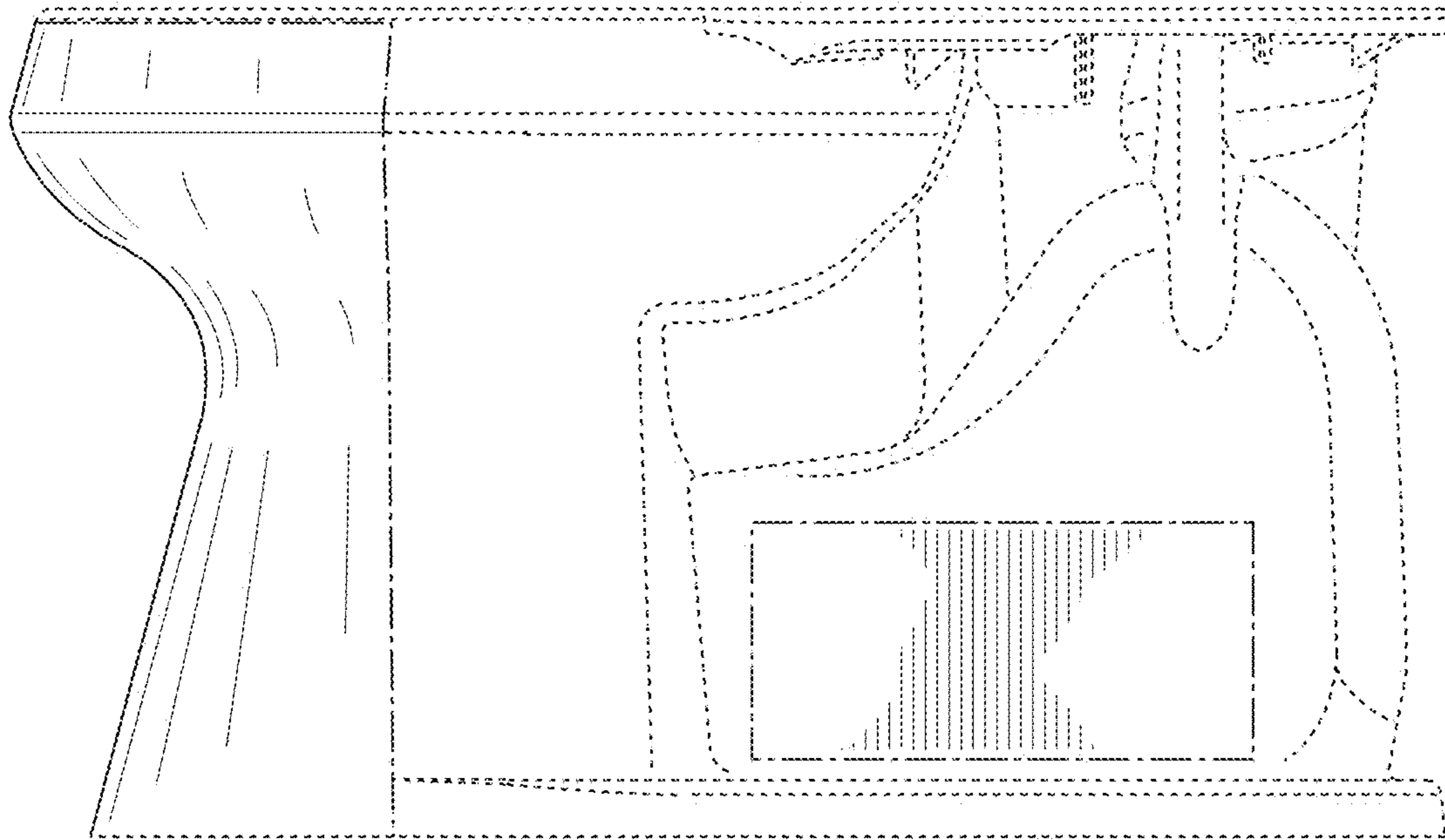


FIG. 7