



US00D892992S

(12) **United States Design Patent**
Uceda

(10) **Patent No.:** **US D892,992 S**
(45) **Date of Patent:** **** Aug. 11, 2020**

(54) **TOILET**
(71) Applicant: **Kohler Co.**, Kohler, WI (US)
(72) Inventor: **Carlos F. Uceda**, Sheboygan, WI (US)
(73) Assignee: **KOHLER CO.**, Kohler, WI (US)
(**) Term: **15 Years**

D662,575 S 6/2012 Corpuz et al.
D759,796 S 6/2016 Bates
D829,871 S * 10/2018 Garrels D23/301
D863,517 S * 10/2019 Garrels D23/309
10,485,390 B2 * 11/2019 Murphy A47K 13/04

* cited by examiner

Primary Examiner — Robert A Delehanty
(74) *Attorney, Agent, or Firm* — Foley & Lardner LLP

(21) Appl. No.: **29/671,264**
(22) Filed: **Nov. 26, 2018**
(51) **LOC (12) Cl.** **23-02**
(52) **U.S. Cl.**
USPC **D23/301**
(58) **Field of Classification Search**
USPC D23/295, 301, 303, 310, 313
CPC A47K 11/00
See application file for complete search history.

(57) **CLAIM**

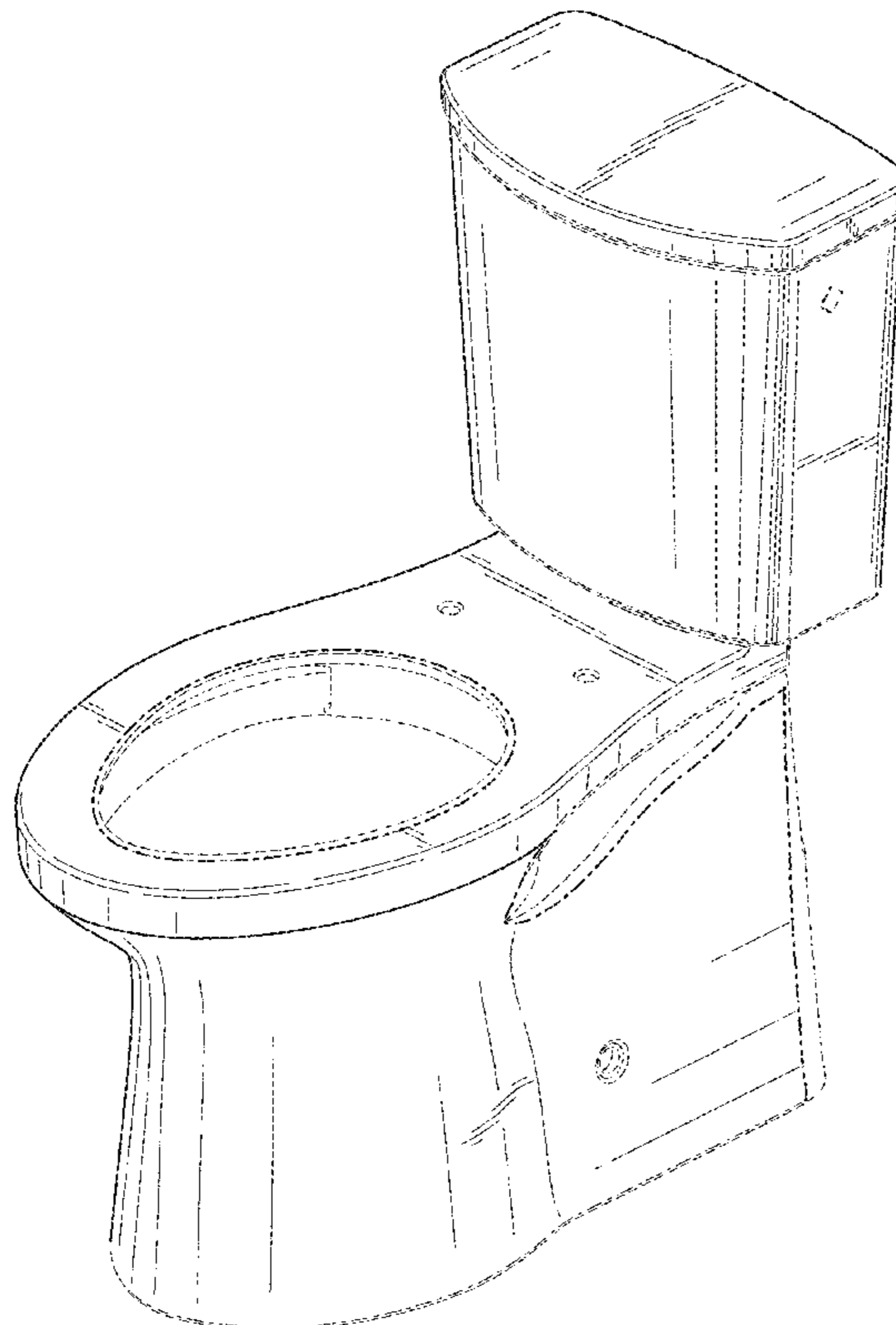
I claim the ornamental design for a toilet, as shown and described.

DESCRIPTION

FIG. 1 is a perspective view of an embodiment of the claimed design;
FIG. 2 is a front view of the embodiment of FIG. 1;
FIG. 3 is a rear view of the embodiment of FIG. 1;
FIG. 4 is a side view of the embodiment of FIG. 1;
FIG. 5 is another side view of the embodiment of FIG. 1;
FIG. 6 is a top view of the embodiment of FIG. 1; and,
FIG. 7 is a bottom view of the embodiment of FIG. 1.
The ornamental design which is claimed is shown in solid lines in the drawings. The broken lines in the drawings are for illustrative purposes only and form no part of the claimed design. Broken lines formed of unequal length dashes (i.e., dash-dot) define bounds of the claimed design.

(56) **References Cited**
U.S. PATENT DOCUMENTS
D298,565 S 11/1988 Kohler, Jr.
D323,381 S 1/1992 McKeone et al.
D349,953 S 8/1994 Kohler, Jr. et al.
D379,217 S 5/1997 Kergoet
D390,934 S 2/1998 McKeone
D440,643 S 4/2001 McKeone
D471,621 S 3/2003 Bennie
D531,714 S 11/2006 Soulier
D541,915 S * 5/2007 Bates D23/313
D608,430 S * 1/2010 Slothower D23/313
D637,703 S 5/2011 Corpuz et al.

1 Claim, 7 Drawing Sheets



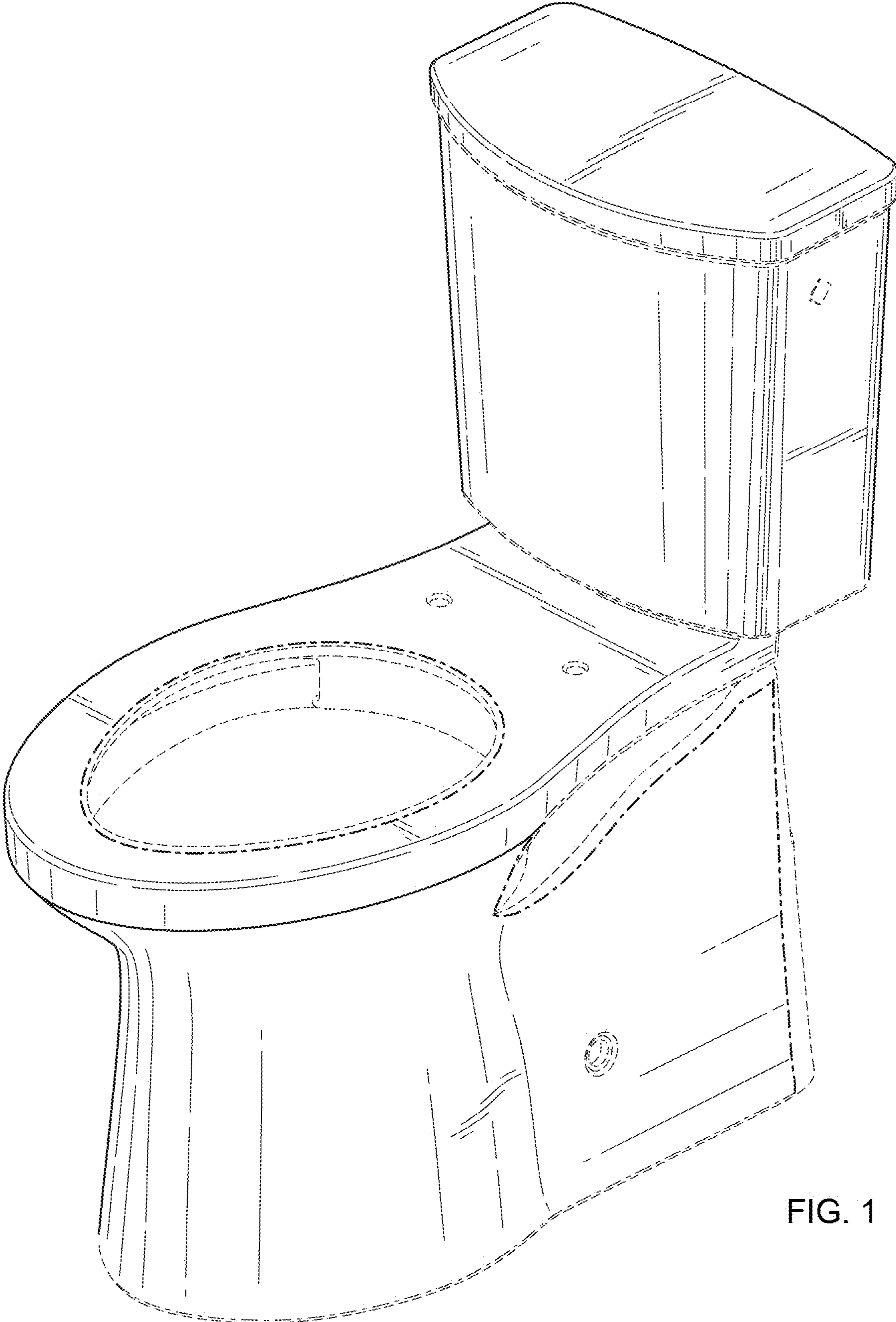


FIG. 1

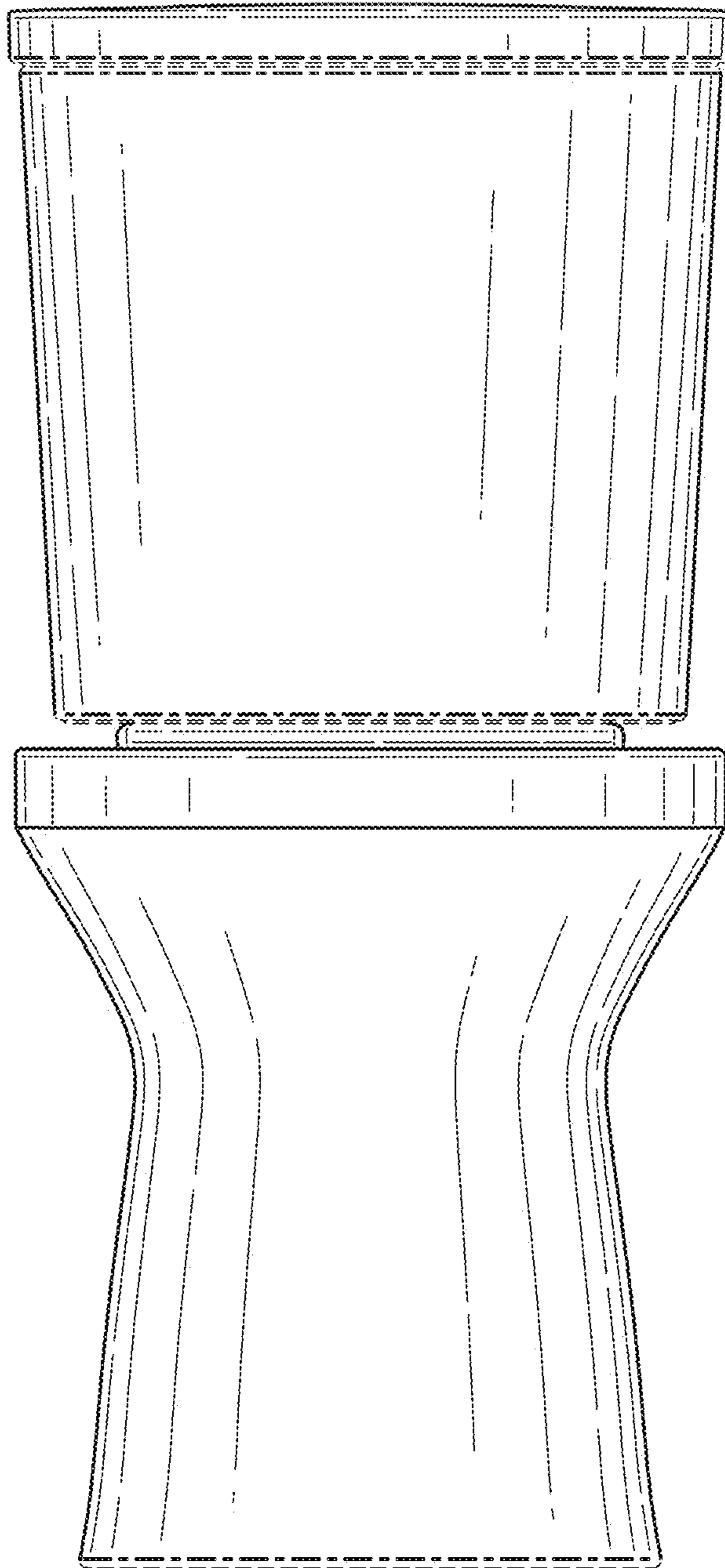


FIG. 2

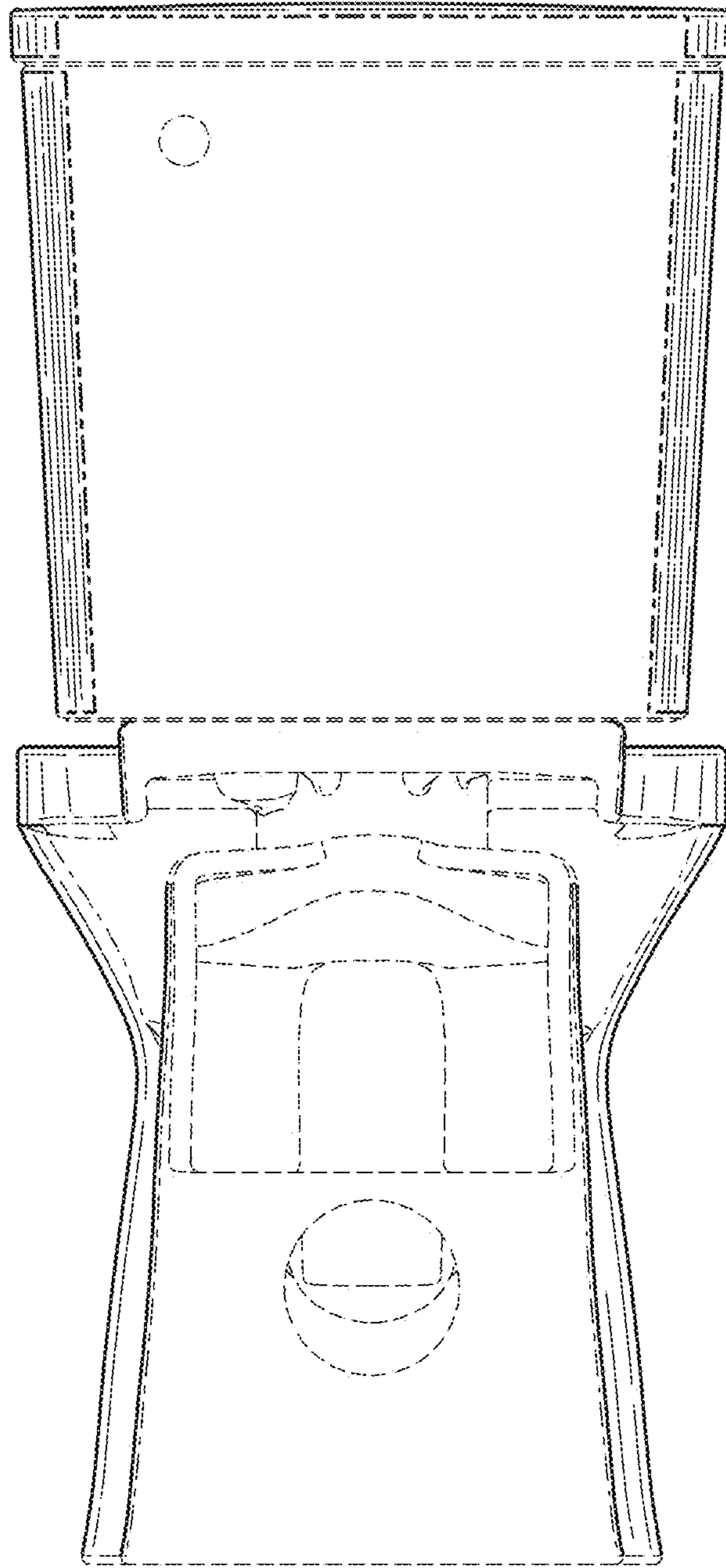


FIG. 3

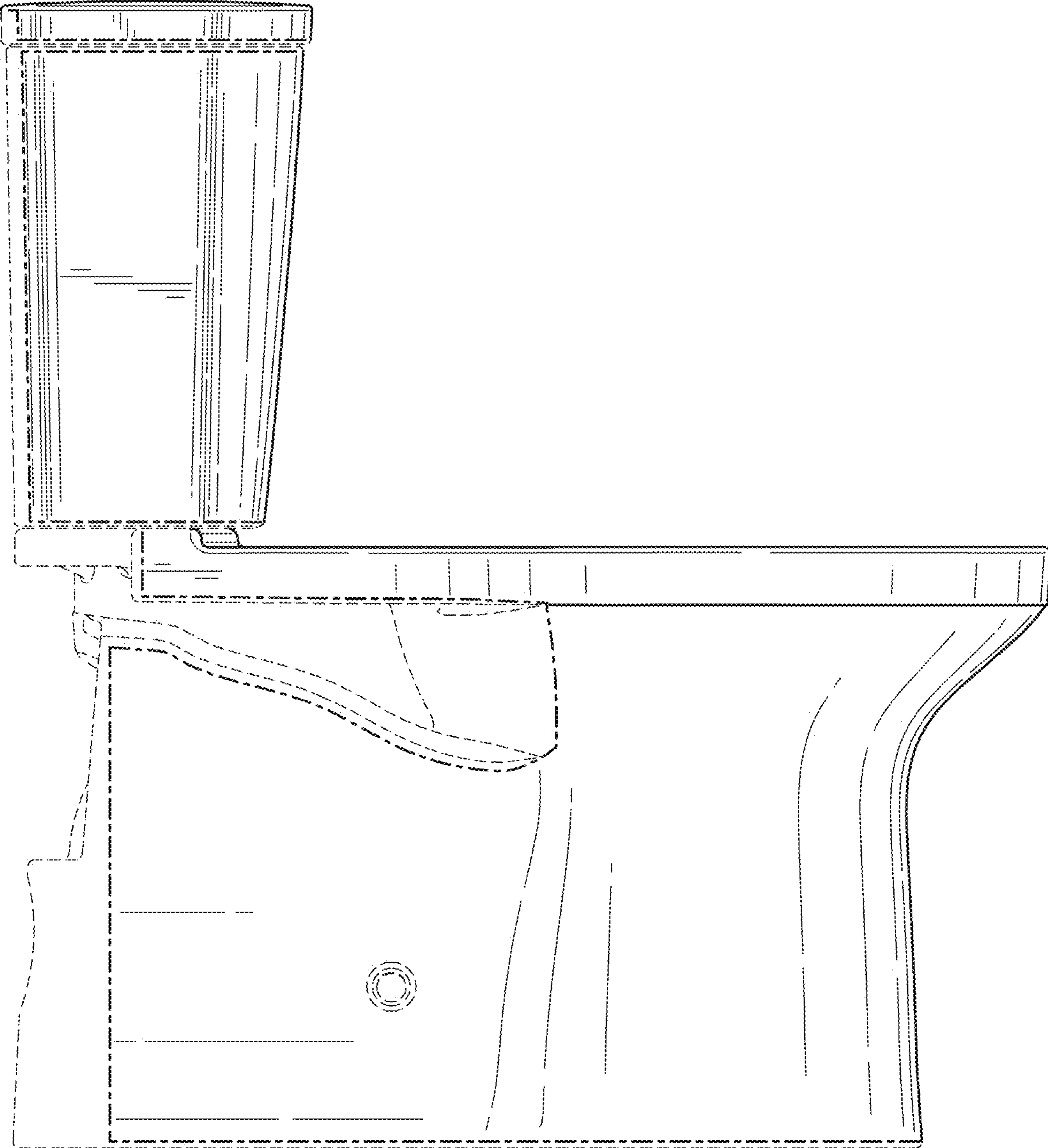


FIG. 4

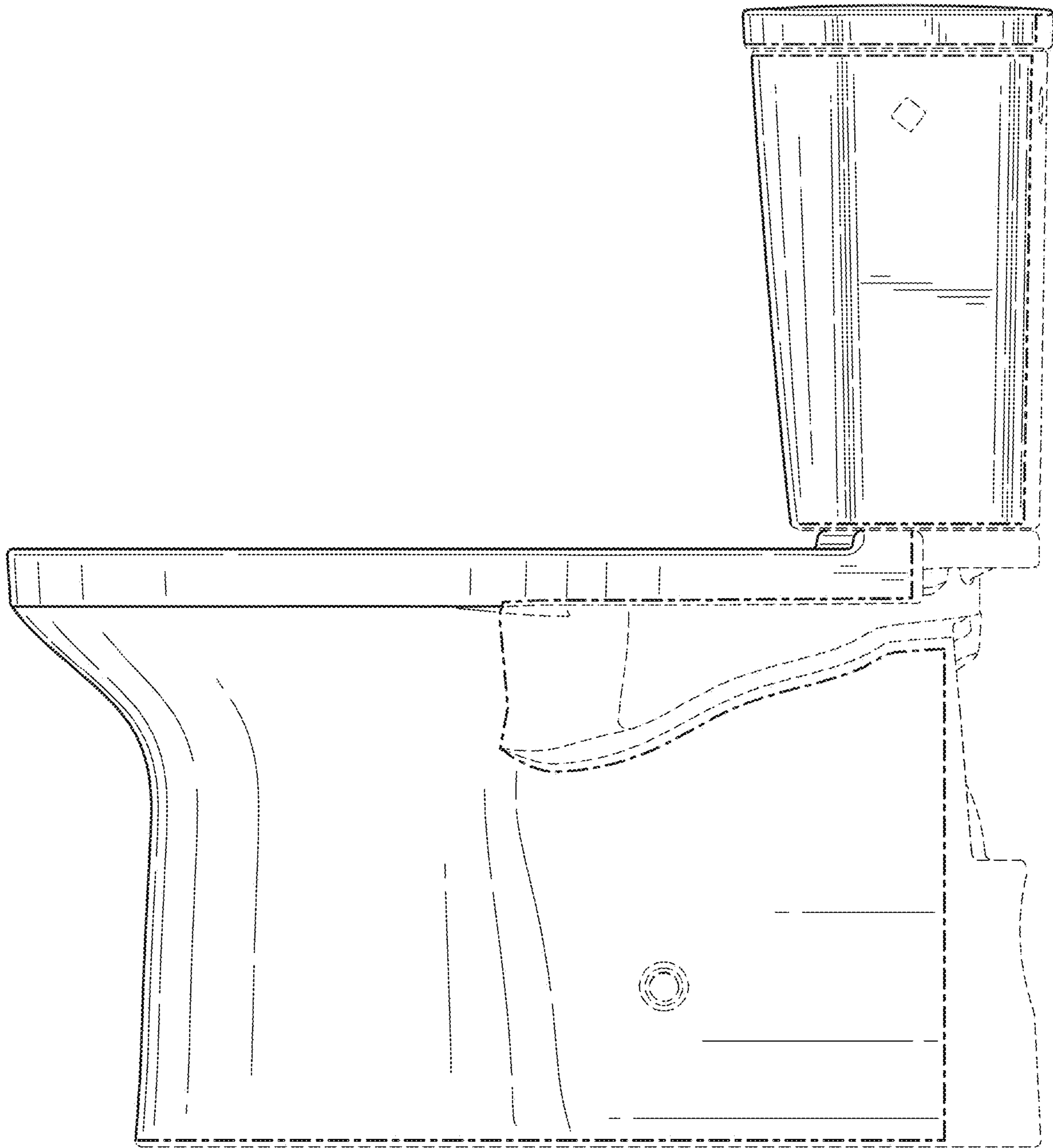


FIG. 5

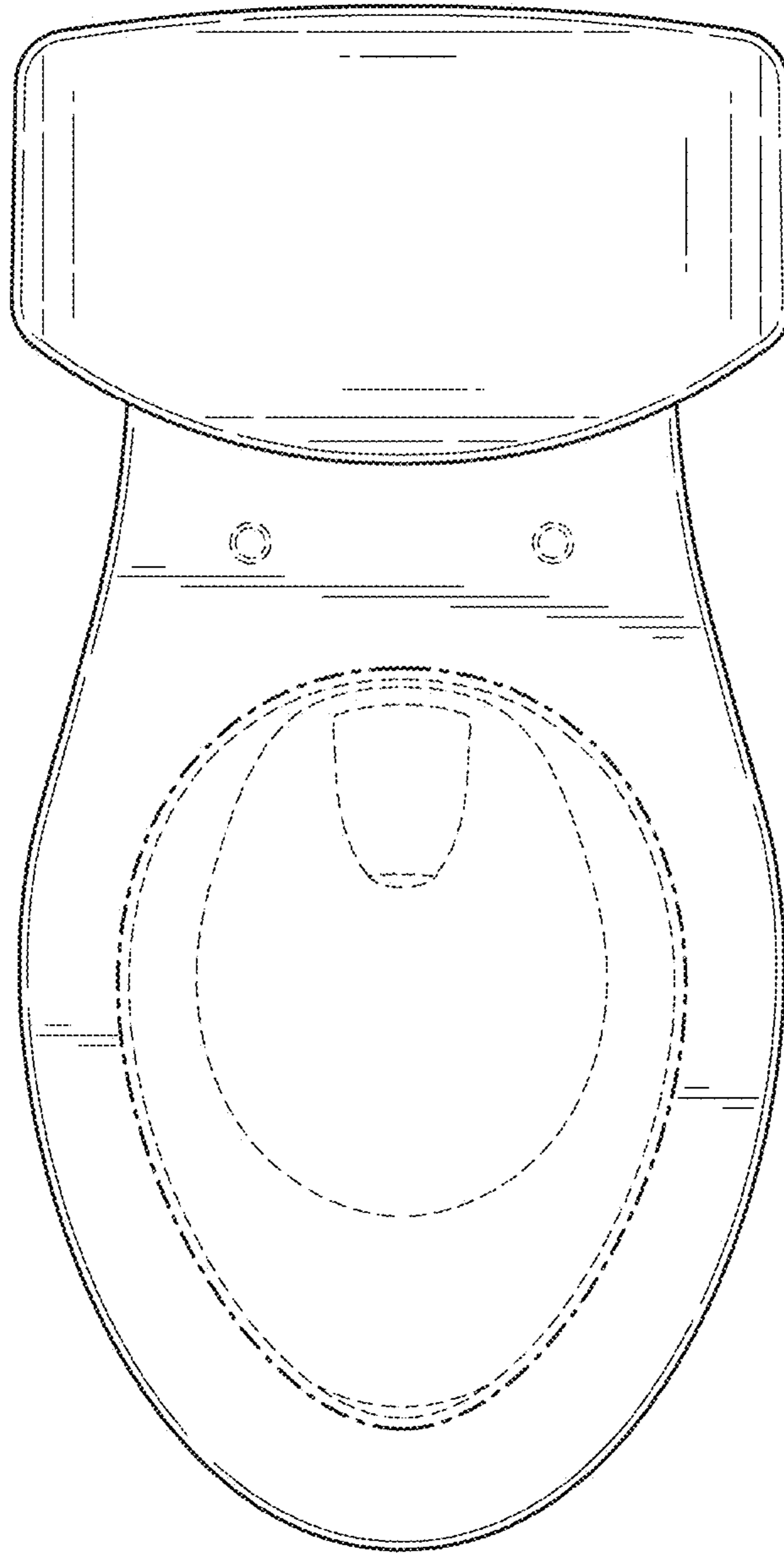


FIG. 6

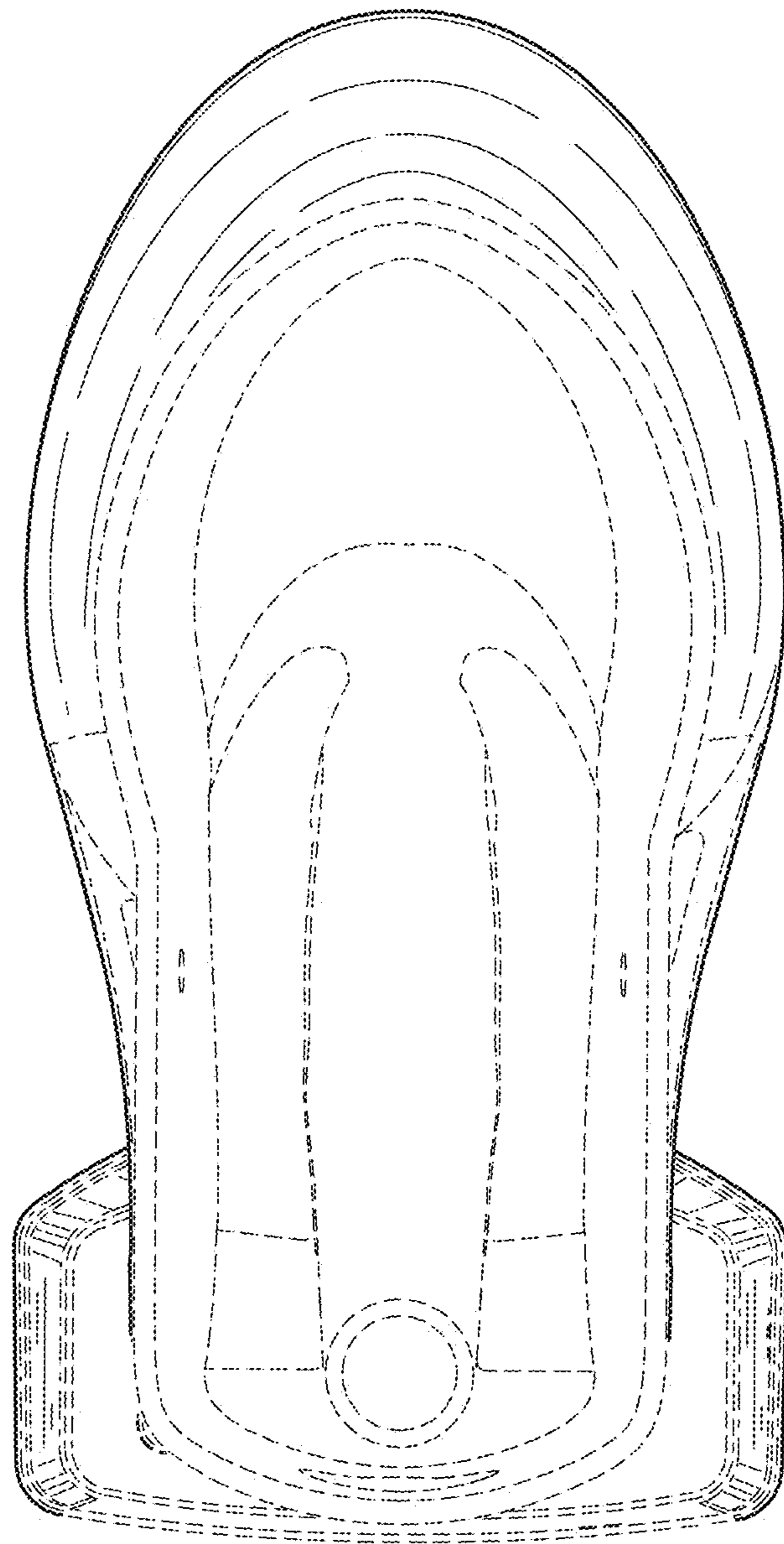


FIG. 7