



US00D892991S

(12) **United States Design Patent**
Kalozdi

(10) **Patent No.:** **US D892,991 S**

(45) **Date of Patent:** **** Aug. 11, 2020**

(54) **TOILET BOWL ADAPTOR FOR A BABY**

D600,786 S * 9/2009 Lovatt D23/296

8,166,581 B2 * 5/2012 Lovatt A47K 11/06

4/484

D738,475 S * 9/2015 Cohen D23/296

(71) Applicant: **OAKSTRONG INTERNATIONAL LTD**, New Orleans, LA (US)

* cited by examiner

(72) Inventor: **David Kalozdi**, New Orleans, LA (US)

Primary Examiner — Robert A Delehanty

(73) Assignee: **OAKSTRONG INTERNATIONAL LTD**, New Orleans, LA (US)

(74) *Attorney, Agent, or Firm* — Collard & Roe, P.C.

(**) Term: **15 Years**

(57) **CLAIM**

(21) Appl. No.: **29/689,945**

The ornamental design for a toilet bowl adaptor for a baby, as shown and described.

(22) Filed: **May 3, 2019**

DESCRIPTION

(30) **Foreign Application Priority Data**

Feb. 20, 2019 (EM) 006261996

(51) **LOC (12) Cl.** **23-02**

(52) **U.S. Cl.**

USPC **D23/296**

(58) **Field of Classification Search**

USPC D23/296, 299, 303, 309

CPC A47K 13/06; Y10S 4/902

See application file for complete search history.

FIG. 1 is a top, front and right side perspective view of our design for a toilet bowl adaptor for a baby, showing my new design;

FIG. 2 is a top, front and right side perspective view thereof, in an unfolded position;

FIG. 3 is a top view thereof;

FIG. 4 is a bottom view thereof;

FIG. 5 is a right side view thereof;

FIG. 6 is a left side view thereof; and,

FIG. 7 is a front view thereof.

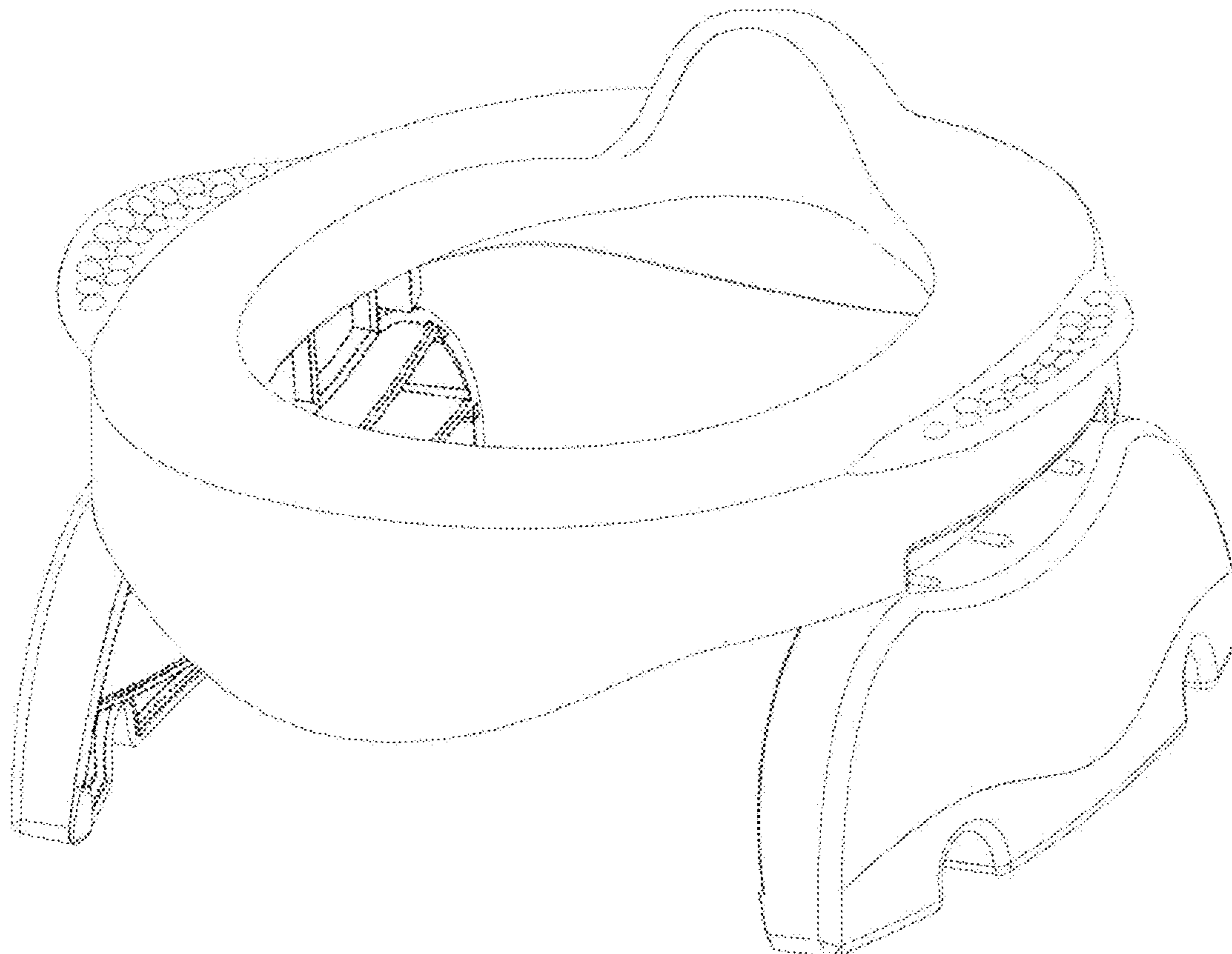
The features shown in broken lines depict portions of the toilet bowl adaptor for a baby that form no part of the claimed invention.

(56) **References Cited**

U.S. PATENT DOCUMENTS

D583,032 S * 12/2008 Lovatt D23/296

1 Claim, 7 Drawing Sheets



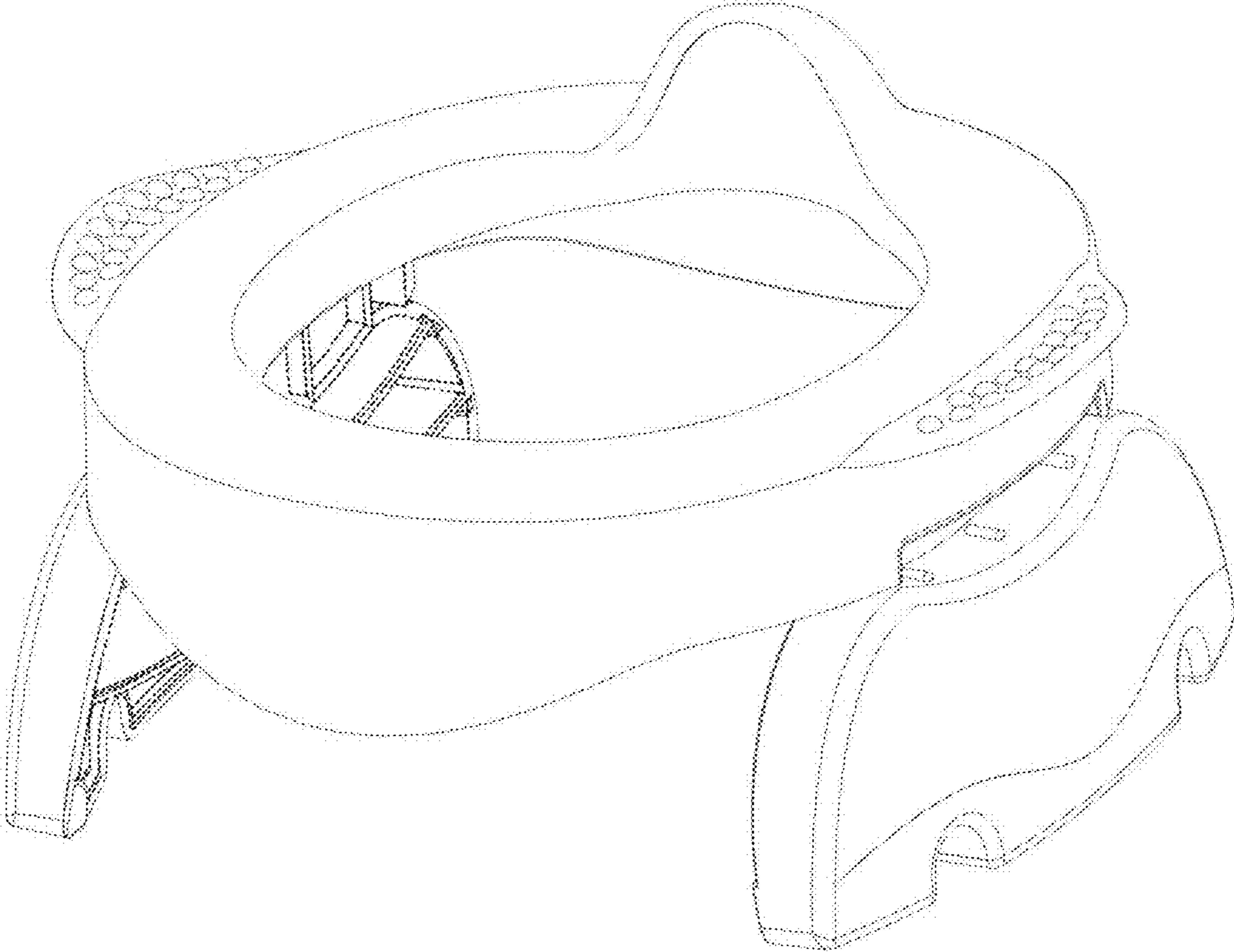


FIG. 1

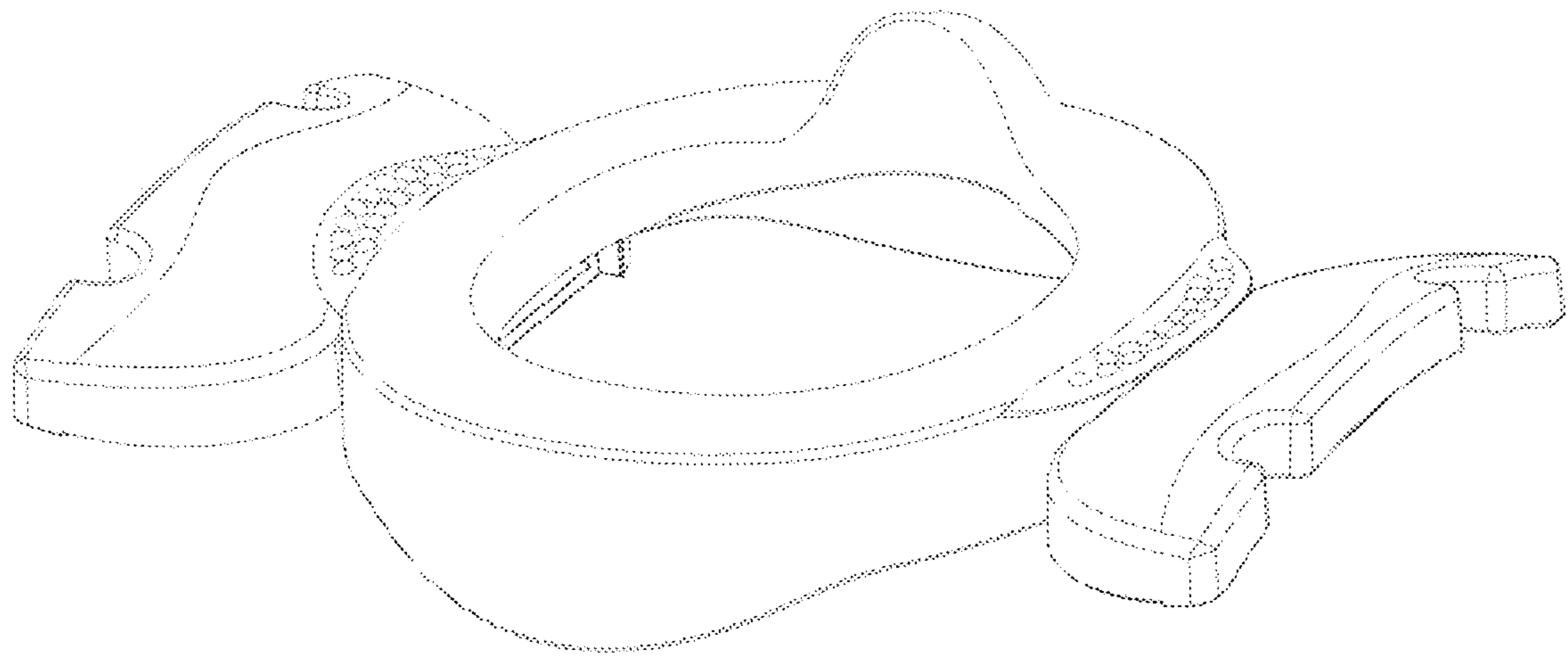


FIG. 2

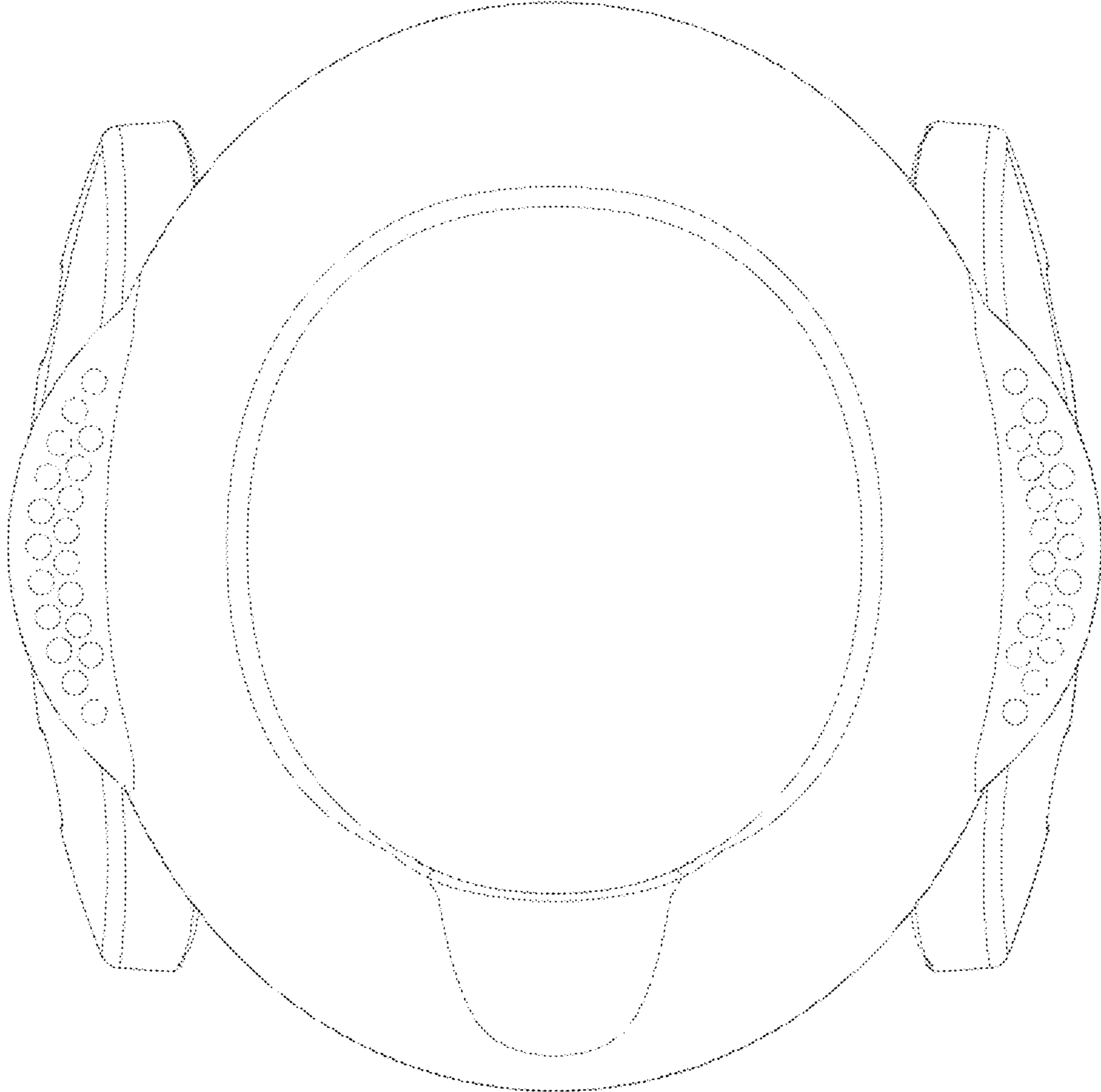


FIG. 3

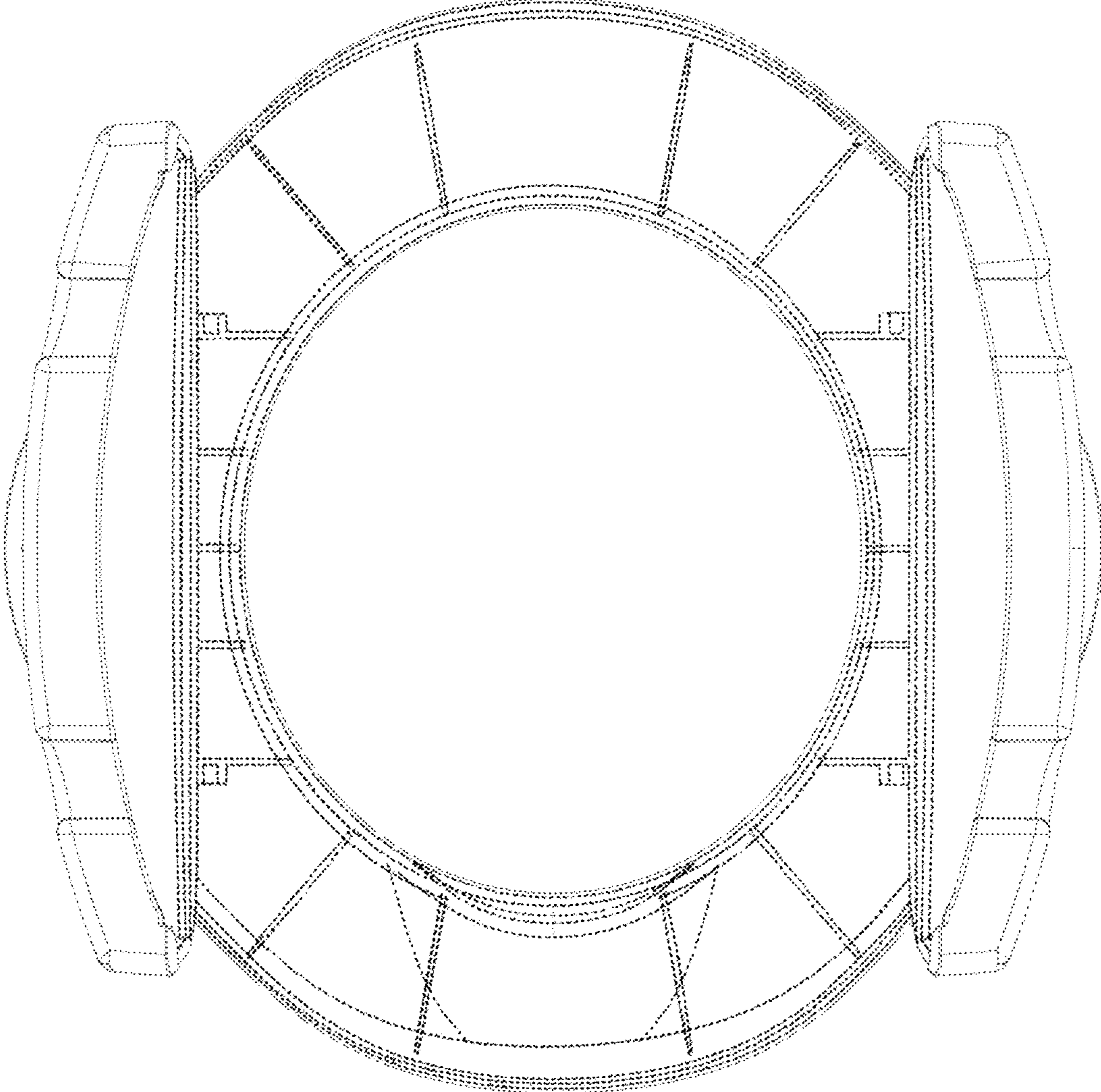


FIG. 4

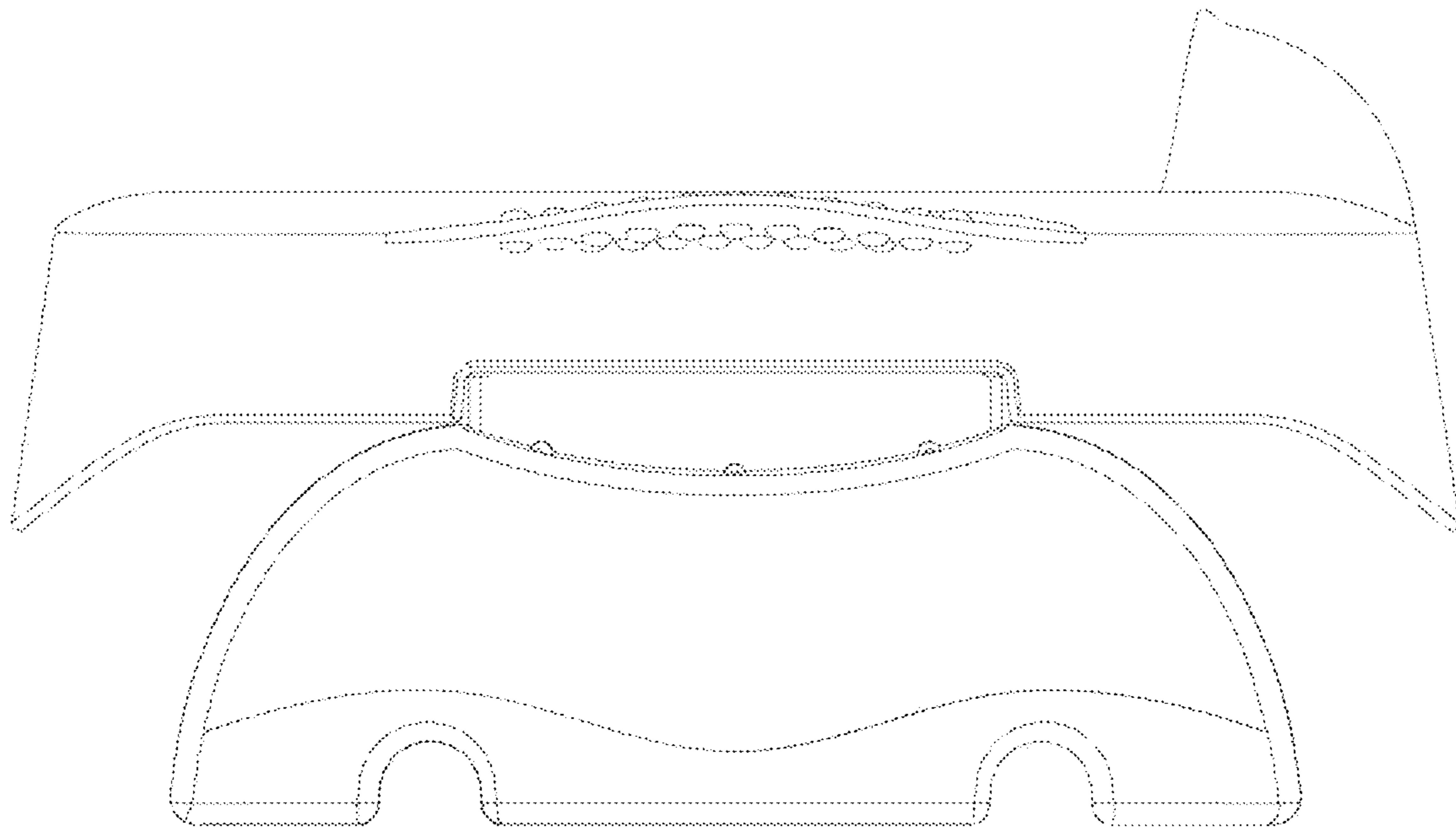


FIG. 5

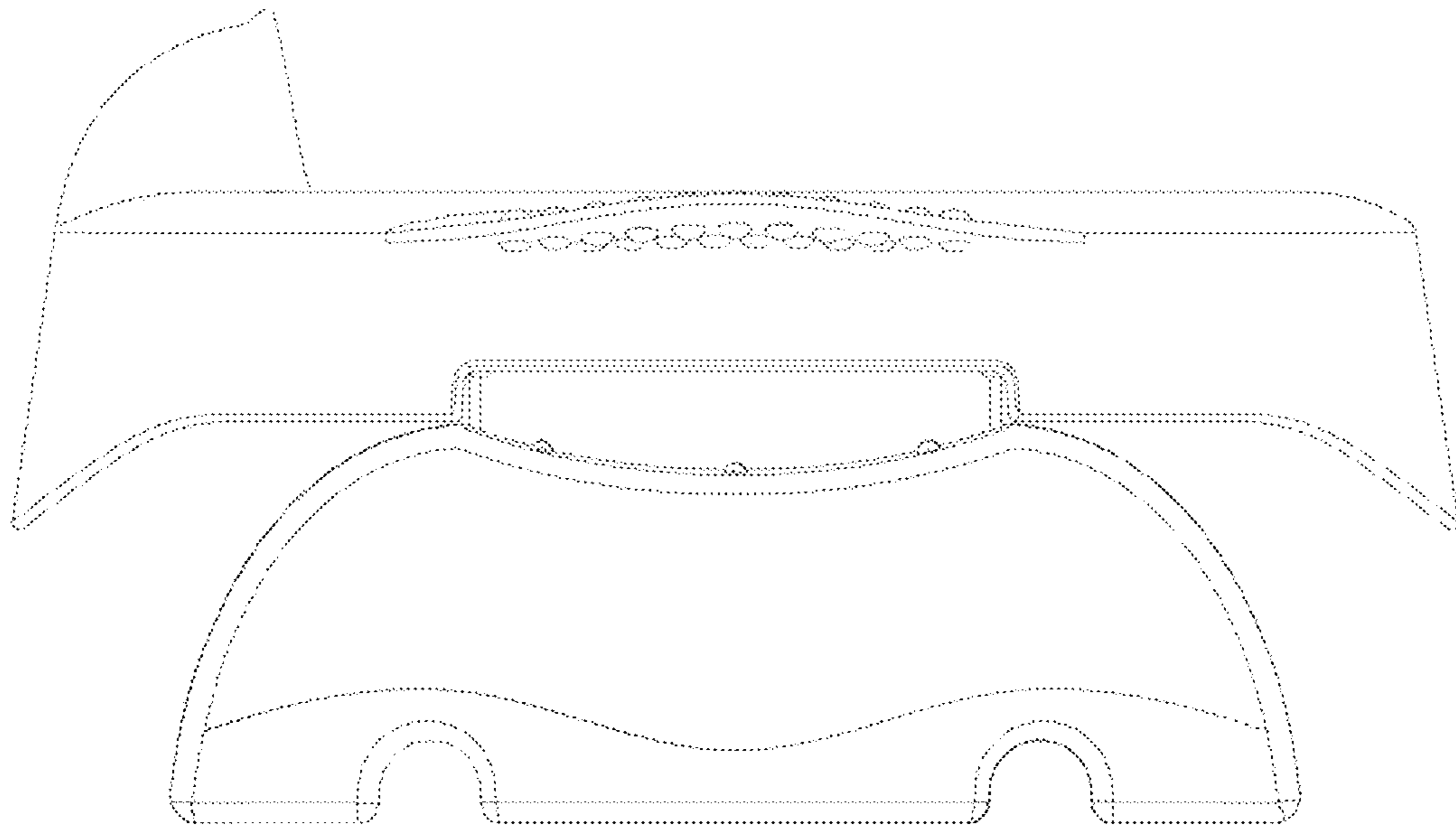


FIG. 6

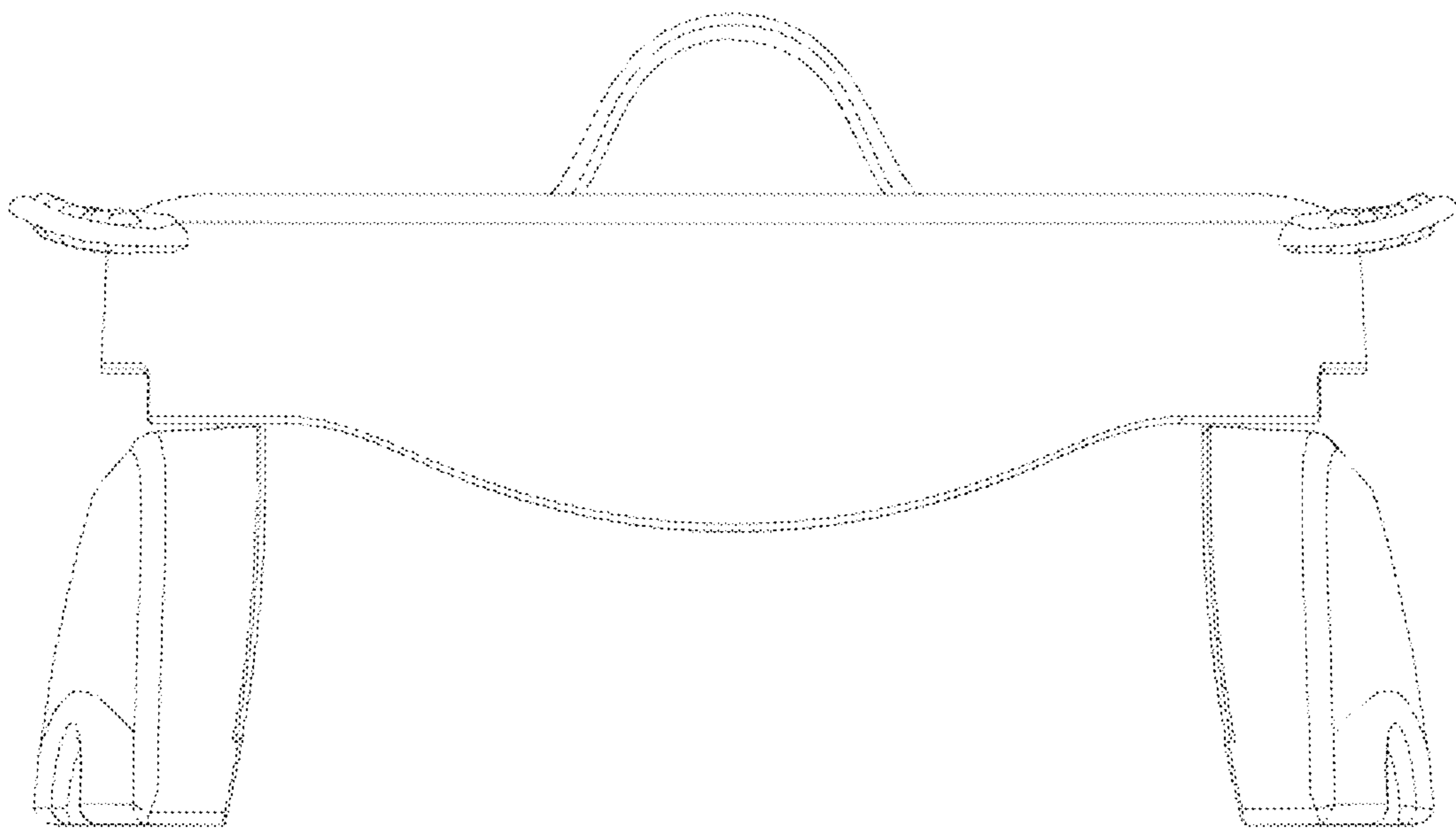


FIG. 7