



US00D892990S

(12) **United States Design Patent** (10) **Patent No.:** **US D892,990 S**
Thorne et al. (45) **Date of Patent:** **** Aug. 11, 2020**

- (54) **LAVATORY BASIN**
- (71) Applicant: **Bradley Fixtures Corporation**,
Menomonee Falls, WI (US)
- (72) Inventors: **Scott Joseph Thorne**, Chicago, IL
(US); **Hyunchul Kim**, Chicago, IL
(US); **William L. Haas**, Richfield, WI
(US); **Cassandra Anne Schneider**,
Oconomowoc, WI (US)
- (73) Assignee: **Bradley Corporation**, Menomonee
Falls, WI (US)
- (**) Term: **15 Years**
- (21) Appl. No.: **29/619,491**
- (22) Filed: **Sep. 29, 2017**
- (51) **LOC (12) Cl.** **23-02**
- (52) **U.S. Cl.**
USPC **D23/293.1**
- (58) **Field of Classification Search**
USPC D23/284, 287-292, 293.1, 303, 308;
D9/425; D8/1; D11/155, 156; D3/304
CPC A47K 1/04; A47B 77/06; A47J 47/20
See application file for complete search history.

- (56) **References Cited**
- U.S. PATENT DOCUMENTS
- D415,261 S * 10/1999 Thomas D23/284
D507,334 S * 7/2005 Ferrer Beltran D23/293.1
D538,410 S * 3/2007 Chensesseau D23/293.1
D588,677 S * 3/2009 Drake D23/284
D612,025 S * 3/2010 Tanus D23/293.1
D634,827 S * 3/2011 Tanus D23/308

- D645,946 S * 9/2011 Guzman Salazar D23/284
D710,978 S * 8/2014 Spangler D23/293.1
D735,838 S * 8/2015 Bartlett
D744,074 S * 11/2015 Adkison D23/284
D805,169 S * 12/2017 Stevenson D23/293.1
D840,004 S * 2/2019 Richter D23/284
D840,518 S * 2/2019 Richter D23/284
D840,519 S * 2/2019 Starck D23/284

* cited by examiner

Primary Examiner — Lakiya G Rogers
Assistant Examiner — John A Voytek
(74) *Attorney, Agent, or Firm* — Boyle Fredrickson, S.C.

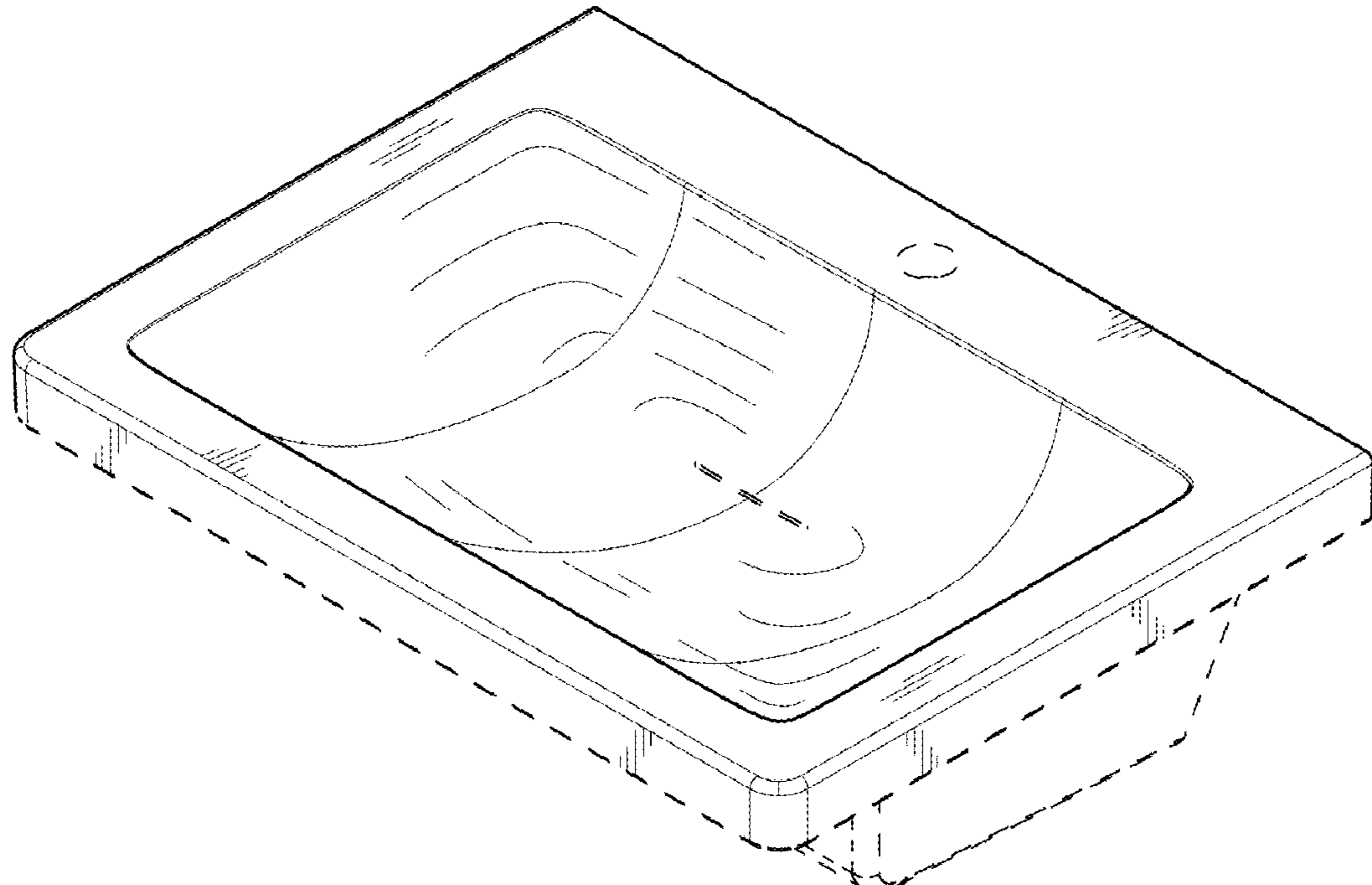
(57) **CLAIM**

The ornamental design for a lavatory basin, substantially as shown and described.

DESCRIPTION

FIG. 1 is a front, raised perspective view of a lavatory basin according to the invention;
FIG. 2 is a left side view of the lavatory basin according to FIG. 1;
FIG. 3 is a right side view of the lavatory system according to FIG. 1;
FIG. 4 is front view of the lavatory system according to FIG. 1;
FIG. 5 is a rear side view of the lavatory system according to FIG. 1;
FIG. 6 is a top view of the lavatory system according to FIG. 1; and,
FIG. 7 is a bottom view of the lavatory system according to FIG. 1.
The broken-line portions of the drawings show portions of the lavatory system that form no part of the claimed design.

1 Claim, 4 Drawing Sheets



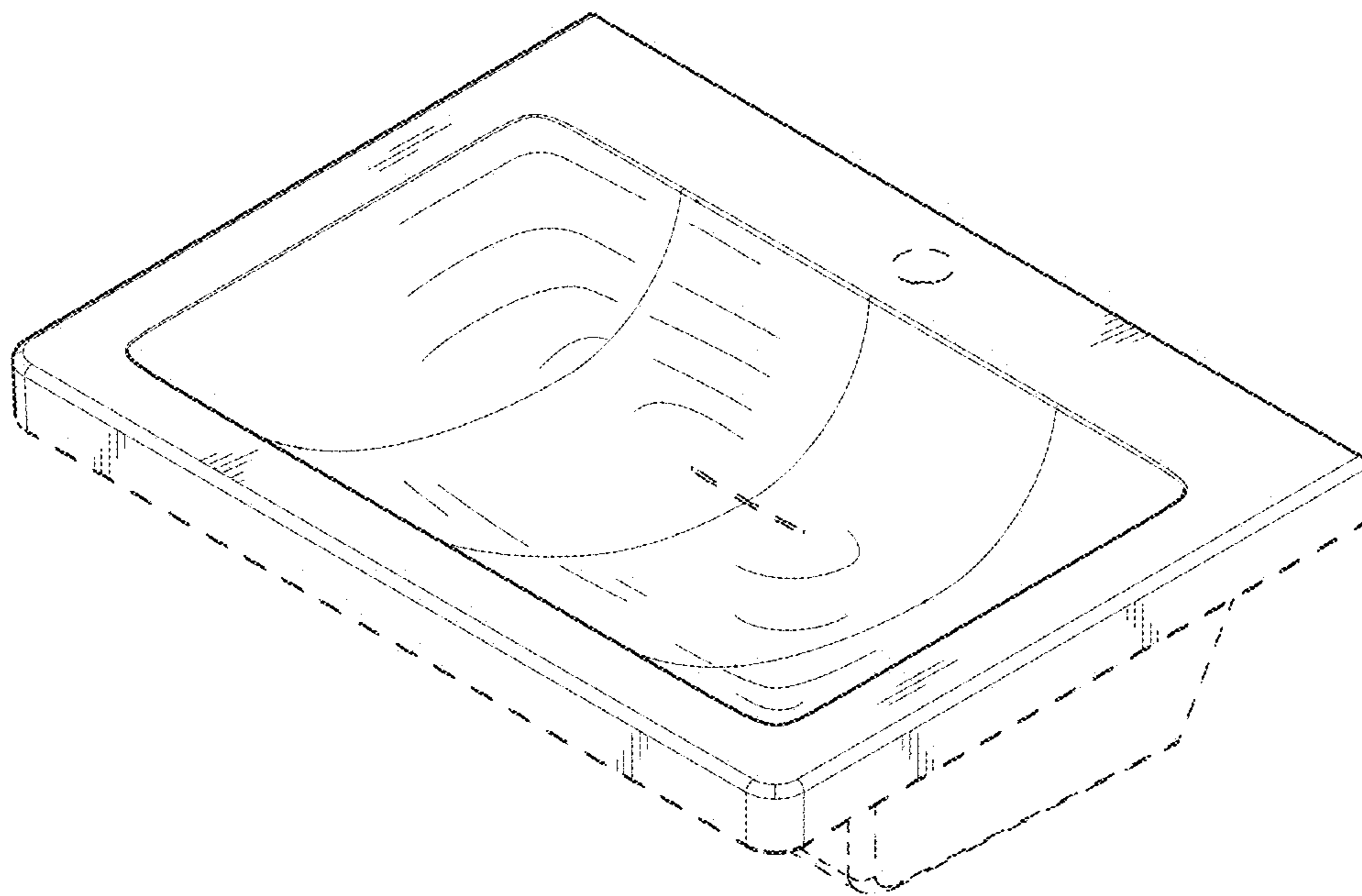


FIG. 1

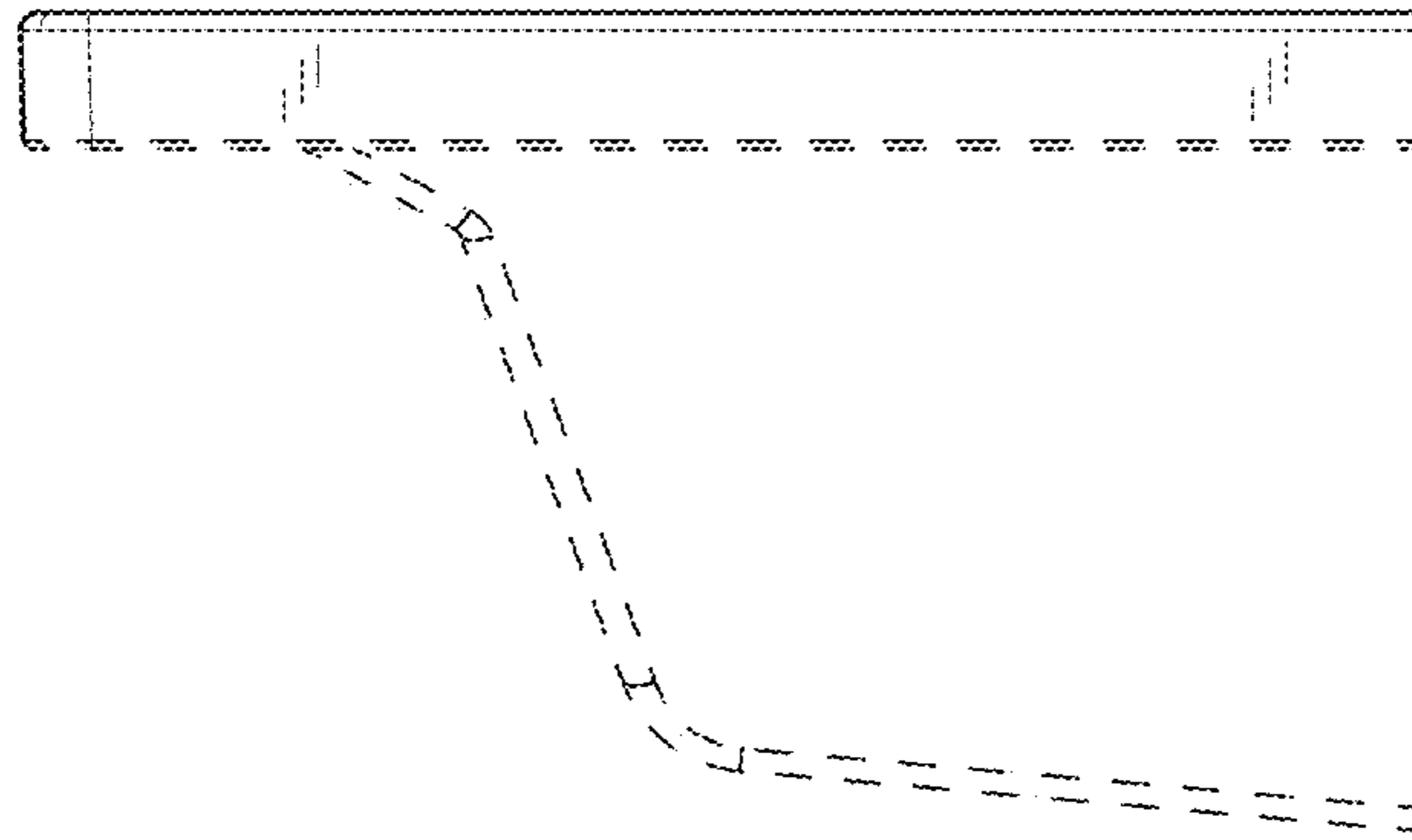


FIG. 2

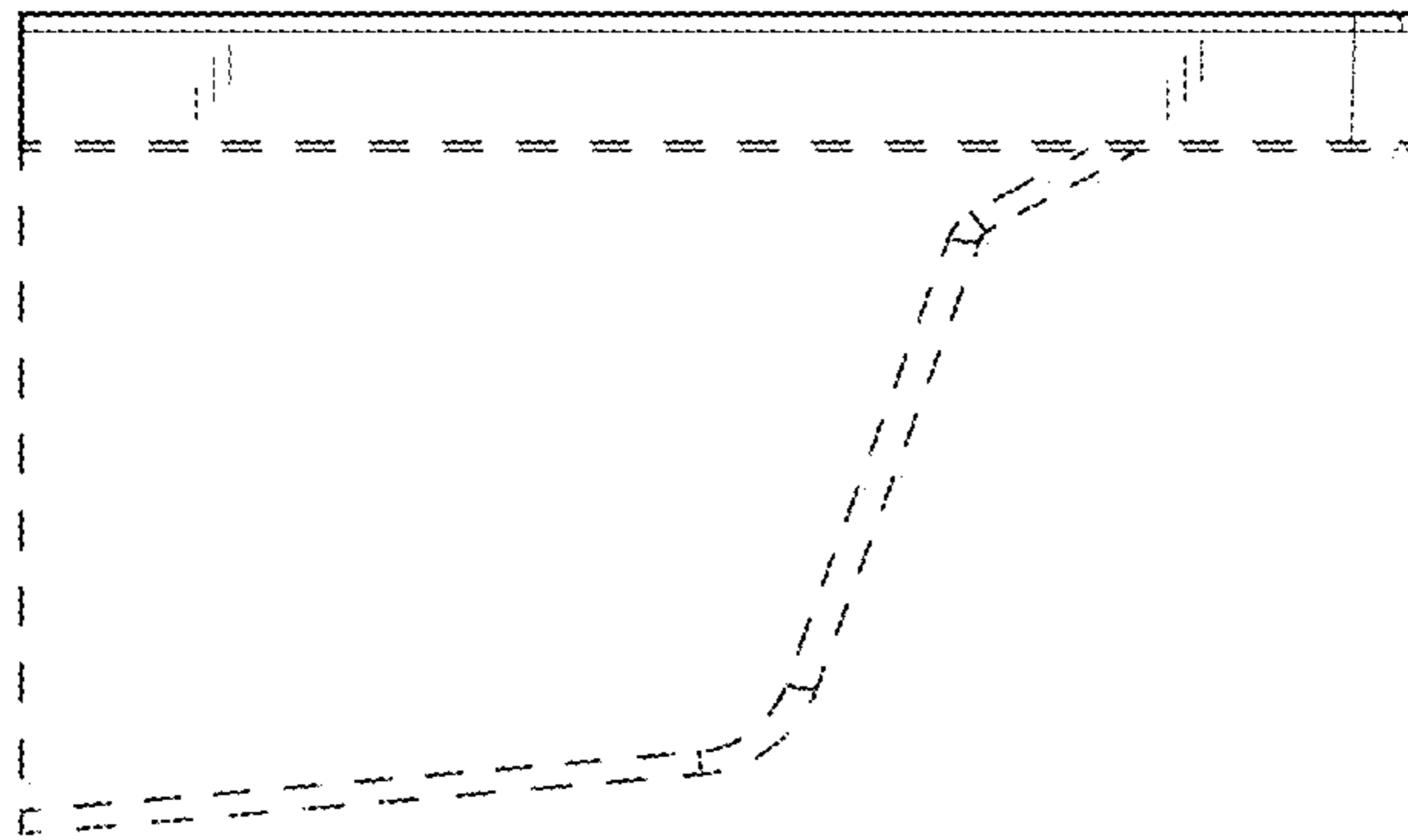


FIG. 3

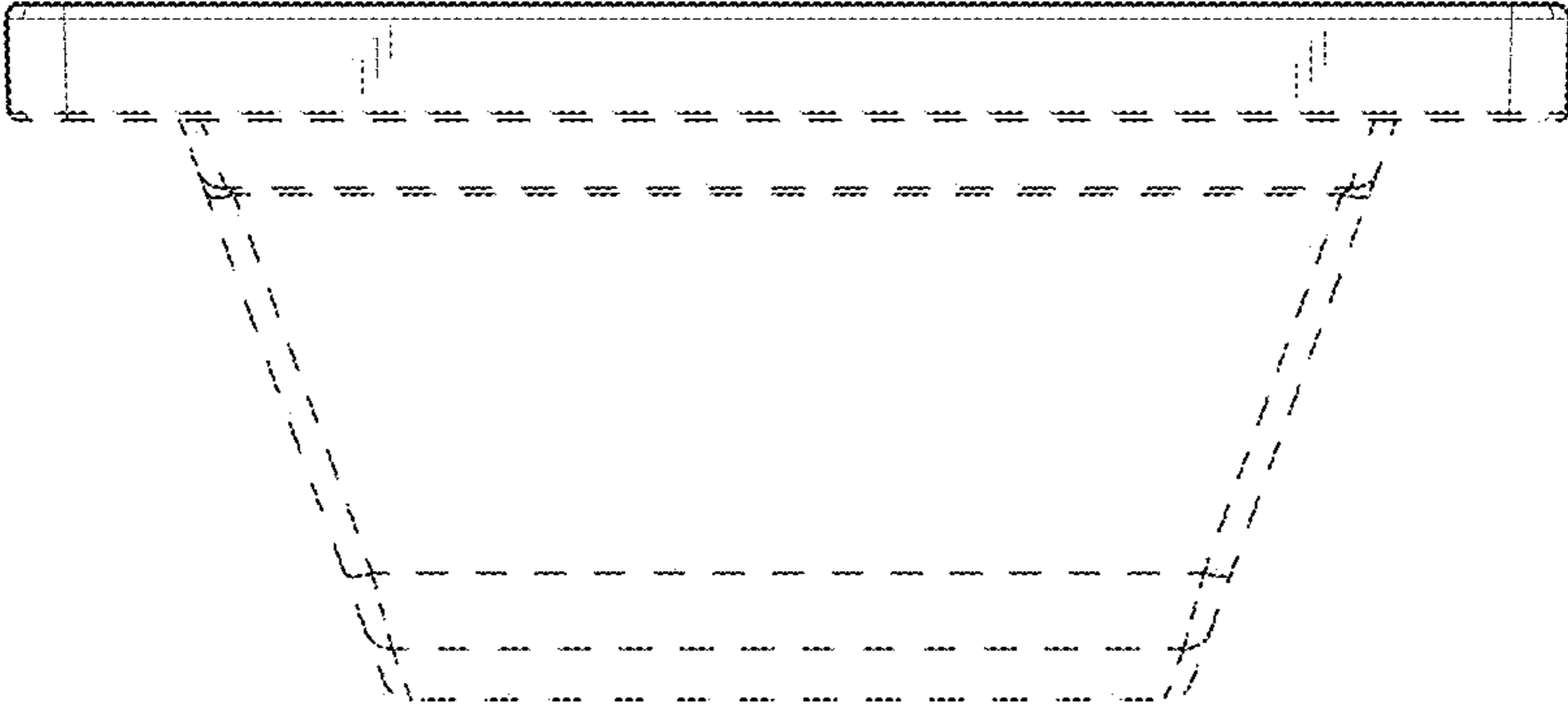


FIG. 4

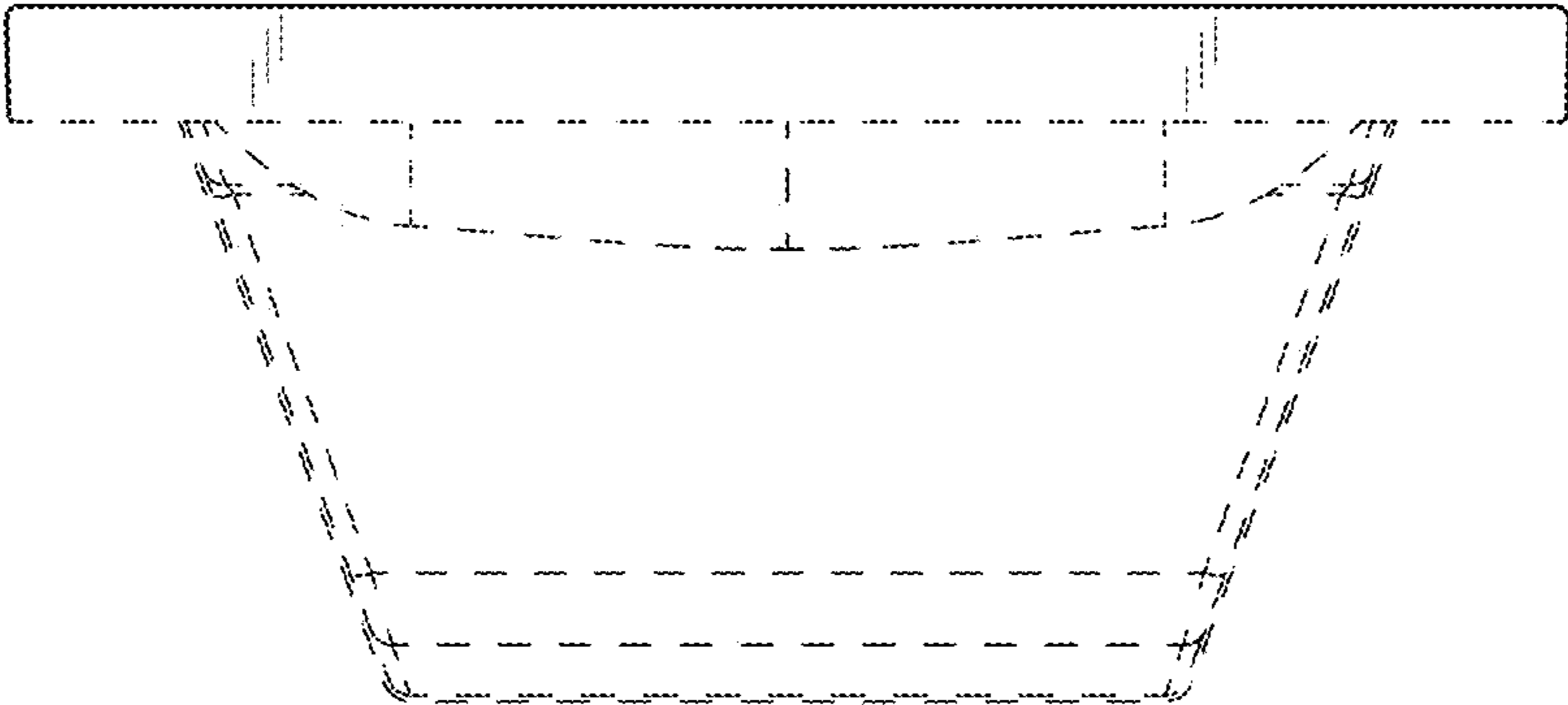


FIG. 5

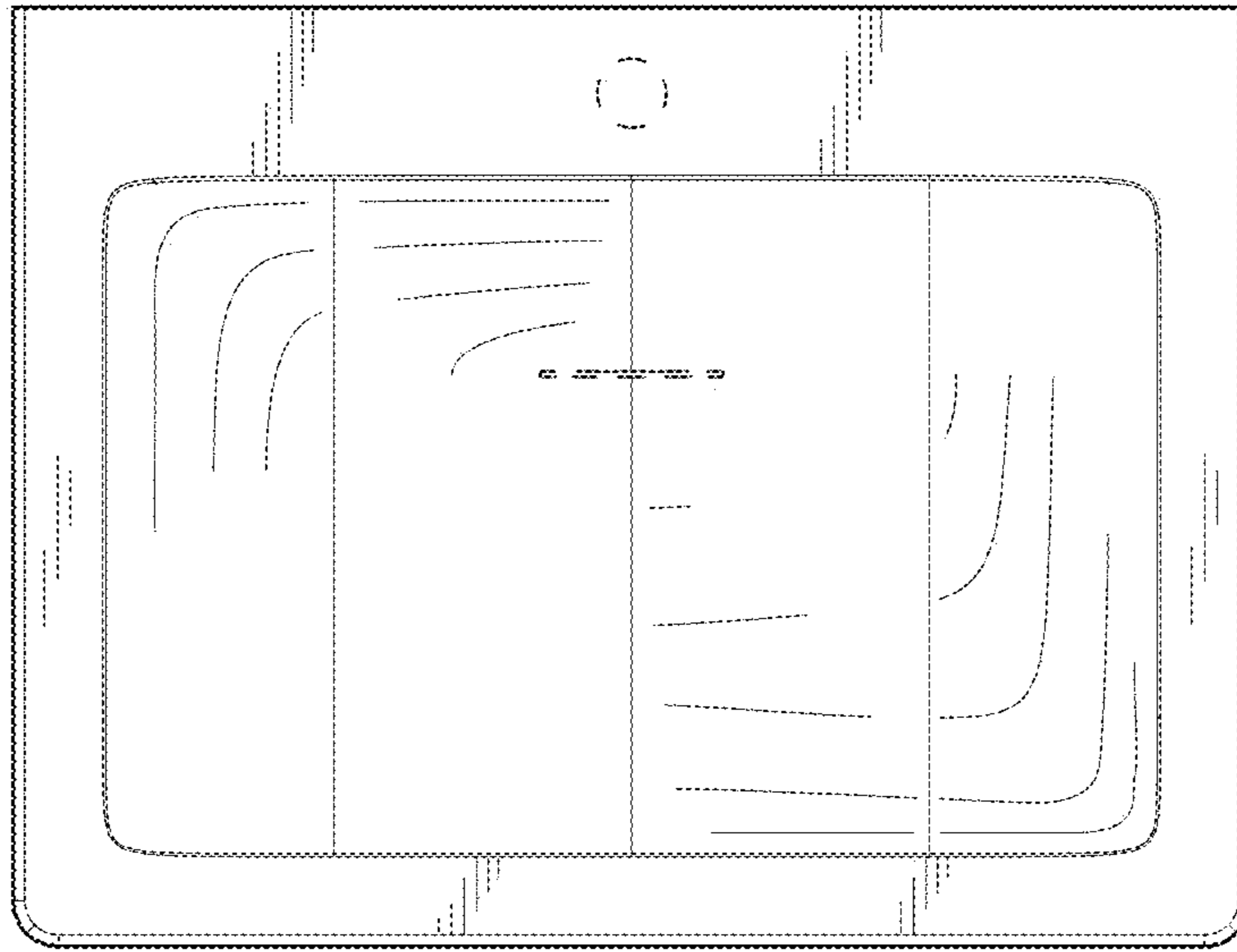


FIG. 6

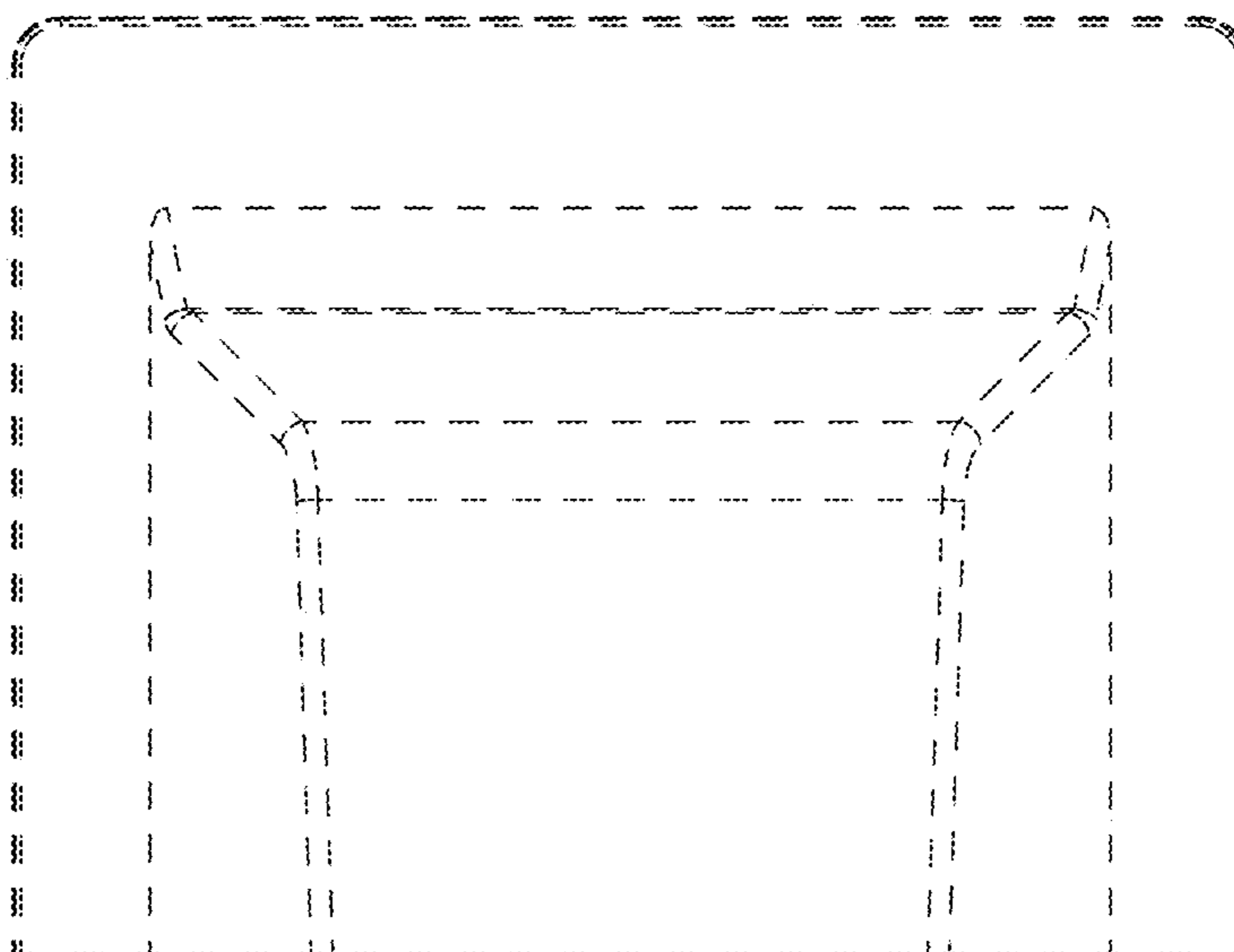


FIG. 7