



US00D892986S

(12) **United States Design Patent**
Wright

(10) **Patent No.:** **US D892,986 S**

(45) **Date of Patent:** **** Aug. 11, 2020**

(54) **EXTENDER FOR VEHICLE SEWER CONNECTION**

(71) Applicant: **Jeffery Wright**, Clements, CA (US)

(72) Inventor: **Jeffery Wright**, Clements, CA (US)

(**) Term: **15 Years**

(21) Appl. No.: **29/648,232**

(22) Filed: **May 18, 2018**

(51) **LOC (12) Cl.** **23-01**

(52) **U.S. Cl.**

USPC **D23/266**; D23/263

(58) **Field of Classification Search**

USPC D23/200, 233, 235, 237, 259-266, 268;
138/109-110, 118, 123, 178; 137/247.21,
137/351, 355.12, 899; 4/323; 285/302,
285/307-313, 394, 53, 57, 125.1, 129.2,
285/131.1, 132.1, 145, 145.1, 145.4,
285/148.2, 179, 179.1, 298, 224, 417

CPC ... F16L 11/12; F16L 7/00; F16L 27/08; F16L
45/00; E03F 1/008; Y10T 403/1641

See application file for complete search history.

(56) **References Cited**

U.S. PATENT DOCUMENTS

| | | | | |
|-----------|-----|---------|-----------|----------------------------------|
| 1,200,118 | A | 10/1916 | Keeler | |
| 3,224,800 | A | 12/1965 | Fisher | |
| 3,355,201 | A | 11/1967 | Barwick | |
| 3,659,880 | A | 5/1972 | Goldsobel | |
| 4,722,556 | A * | 2/1988 | Todd | F16L 25/0036 285/12 |
| 4,758,027 | A * | 7/1988 | Todd | F16L 25/0036 285/148.23 |
| 4,796,926 | A * | 1/1989 | Rapsilver | E03F 1/008 141/311 R |
| 4,805,444 | A * | 2/1989 | Webb | F17D 5/04 73/40.5 R |
| 5,915,411 | A * | 6/1999 | Gilbert | B60R 15/00 137/355.28 |
| 5,971,438 | A | 10/1999 | Johnson | |

(Continued)

OTHER PUBLICATIONS

Wright, U.S. Appl. No. 15/984,041, filed May 18, 2018, Office Action dated May 28, 2020.

Primary Examiner — Amy C Wierenga

(74) *Attorney, Agent, or Firm* — Hickman Palermo
Becker Bingham LLP

(57) **CLAIM**

The ornamental design for an extender for vehicle sewer connection, as shown and described.

DESCRIPTION

FIG. 1 is a perspective view of an extender for vehicle sewer connection, shown in a collapsed position, according to the invention;

FIG. 2 is a perspective view of an extender for vehicle sewer connection, shown in an extended position, according to the invention;

FIG. 3 is a side elevation view of an extender for vehicle sewer connection, shown in a collapsed position, according to the invention;

FIG. 4 is a front elevation view of an extender for vehicle sewer connection, shown in a collapsed position, according to the invention;

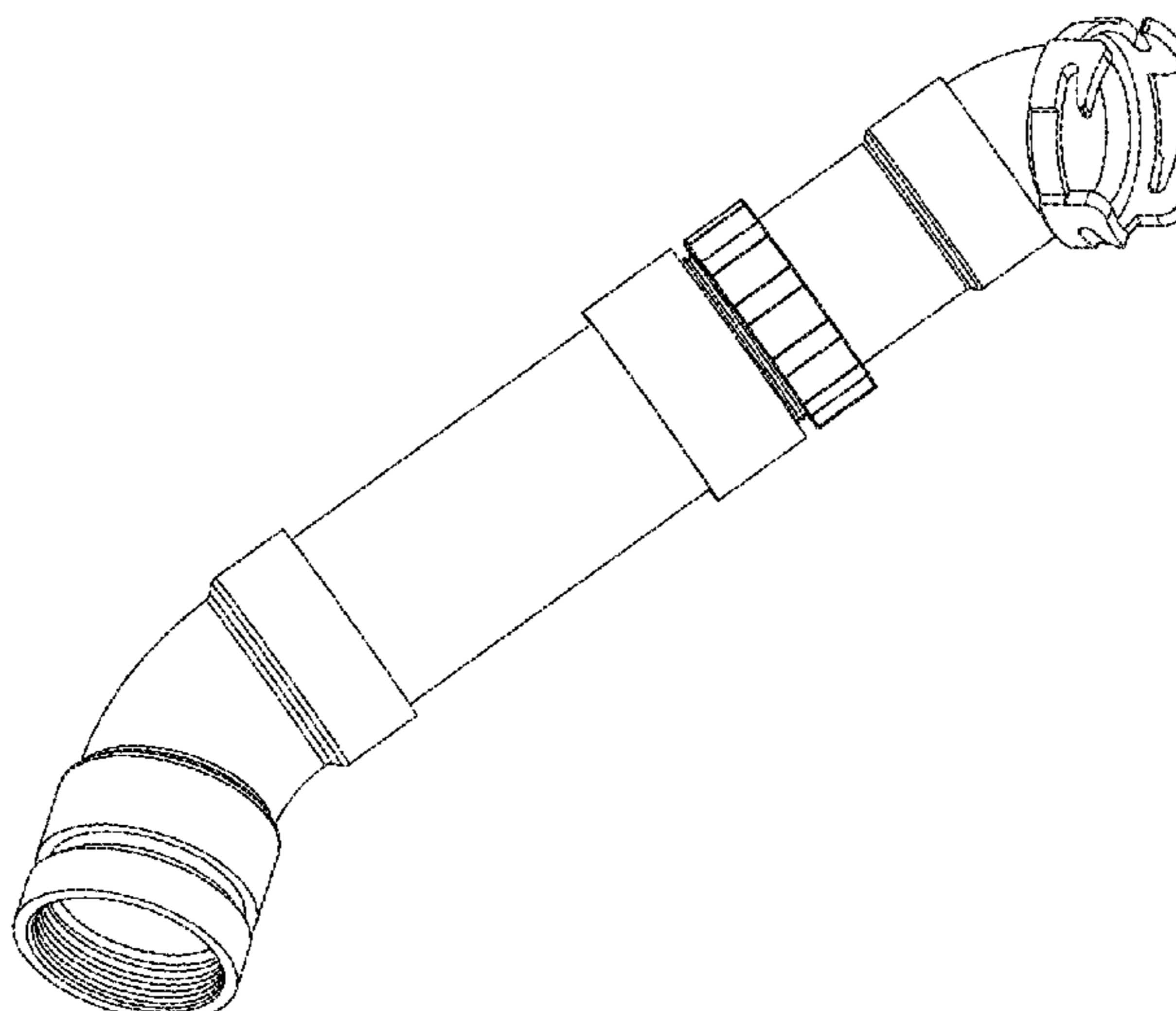
FIG. 5 is a top plan view of an extender for vehicle sewer connection, shown in a collapsed position, according to the invention; and

FIG. 6 is a bottom plan view of an extender for vehicle sewer connection, shown in a collapsed position, according to the invention; and,

FIG. 7 is a second side elevation view of an extender for vehicle sewer connection, shown in a collapsed position, according to the invention.

Dashed broken lines depict portions of the extender for vehicle sewer connection that form no part of the claim.

1 Claim, 7 Drawing Sheets



(56)

References Cited

U.S. PATENT DOCUMENTS

| | | | | | |
|--------------|------|---------|-------------|-------|--------------------------|
| 6,123,367 | A * | 9/2000 | Miller | | B60R 15/00 137/899 |
| 6,609,847 | B1 | 8/2003 | Wang | | |
| 7,036,524 | B2 * | 5/2006 | Kennedy | | B60R 15/04 137/355.12 |
| 7,156,574 | B1 * | 1/2007 | Garst | | B60R 15/00 137/181 |
| 7,174,921 | B1 * | 2/2007 | Wiltse | | F16L 33/12 138/109 |
| D564,076 | S * | 3/2008 | Brockington | | D23/262 |
| 8,465,059 | B1 * | 6/2013 | Price | | E03F 1/008 285/278 |
| 8,479,776 | B2 | 7/2013 | Berardi | | |
| 8,777,274 | B2 | 7/2014 | Chou | | |
| 2004/0112448 | A1 * | 6/2004 | Faahs | | E03F 1/00 137/899 |
| 2007/0052235 | A1 * | 3/2007 | Buff | | F16L 23/003 285/368 |
| 2007/0235096 | A1 * | 10/2007 | Nielsen | | B60R 15/00 137/899 |
| 2008/0224468 | A1 * | 9/2008 | Dohm | | F16L 27/08 285/282 |
| 2009/0236001 | A1 * | 9/2009 | Damaske | | B60R 15/00 137/899 |
| 2010/0018590 | A1 * | 1/2010 | Damaske | | B60R 15/00 137/351 |
| 2011/0148093 | A1 | 6/2011 | Choi | | |
| 2013/0056976 | A1 | 3/2013 | Kim | | |
| 2013/0249206 | A1 | 9/2013 | Chou | | |
| 2014/0318671 | A1 * | 10/2014 | Swarts | | E03F 1/008 141/382 |
| 2016/0061359 | A1 * | 3/2016 | Grech | | B60R 15/00 285/179 |
| 2017/0175934 | A1 * | 6/2017 | Bledsoe | | E03F 1/008 |

* cited by examiner

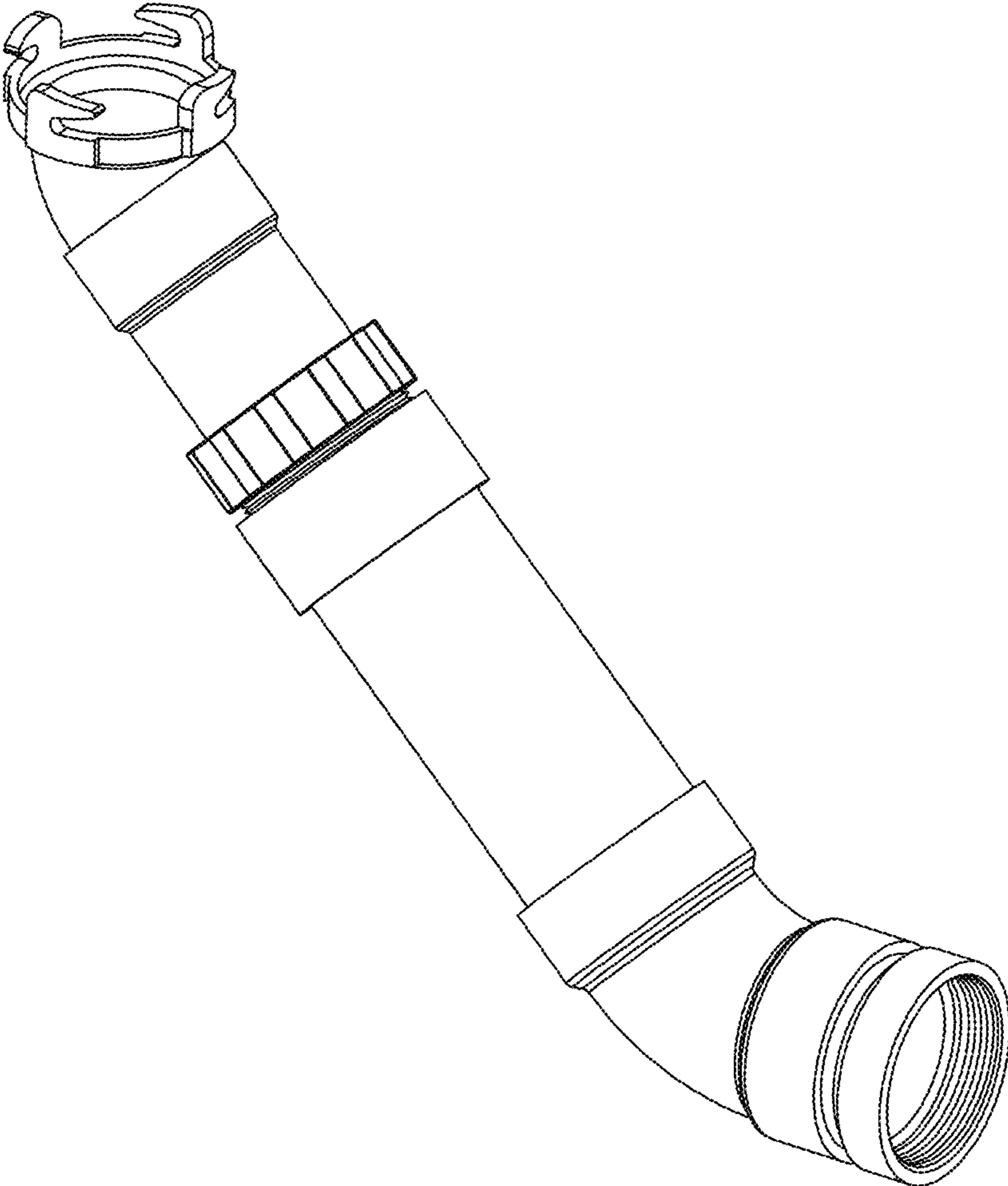


Fig. 1

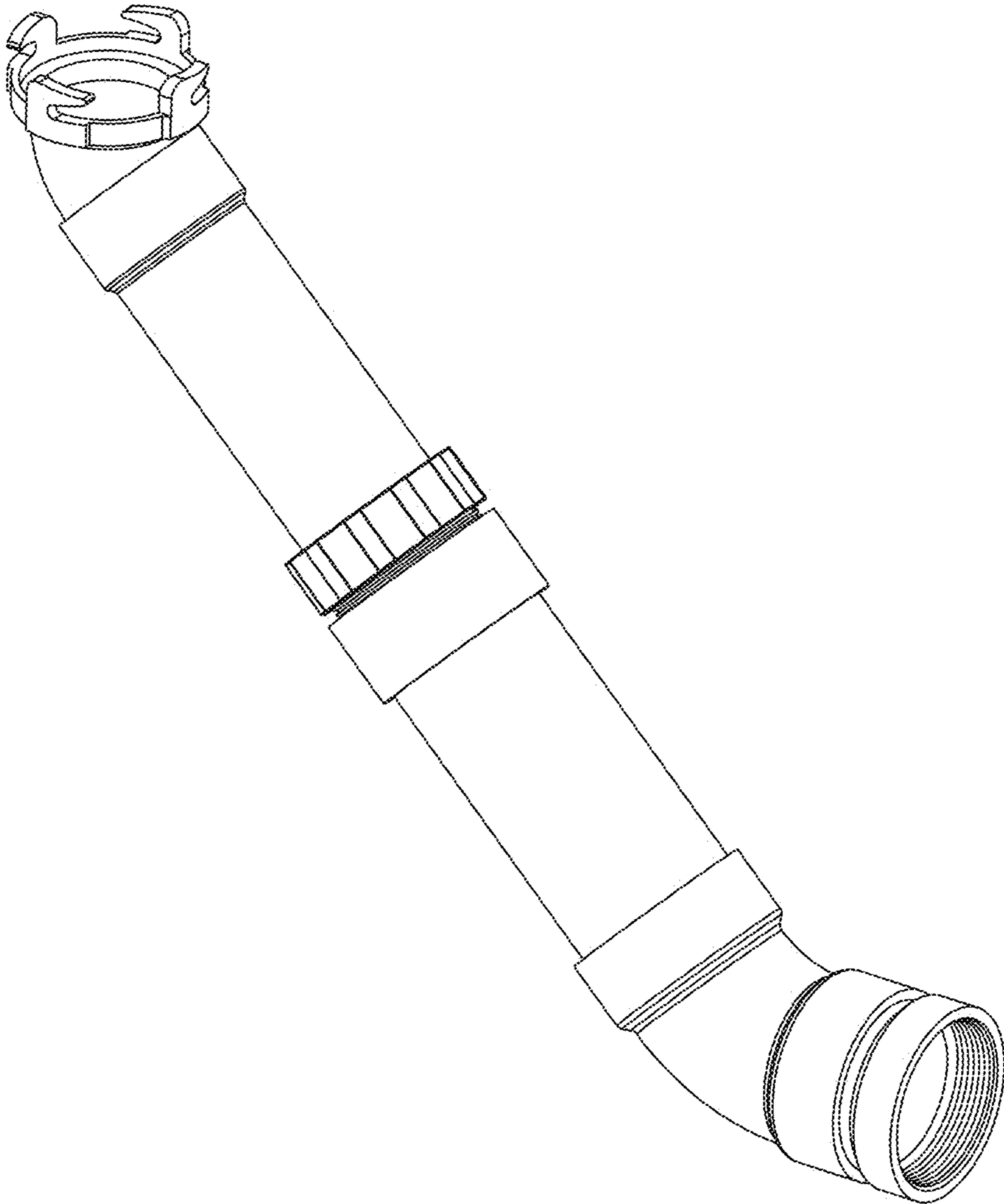


Fig. 2

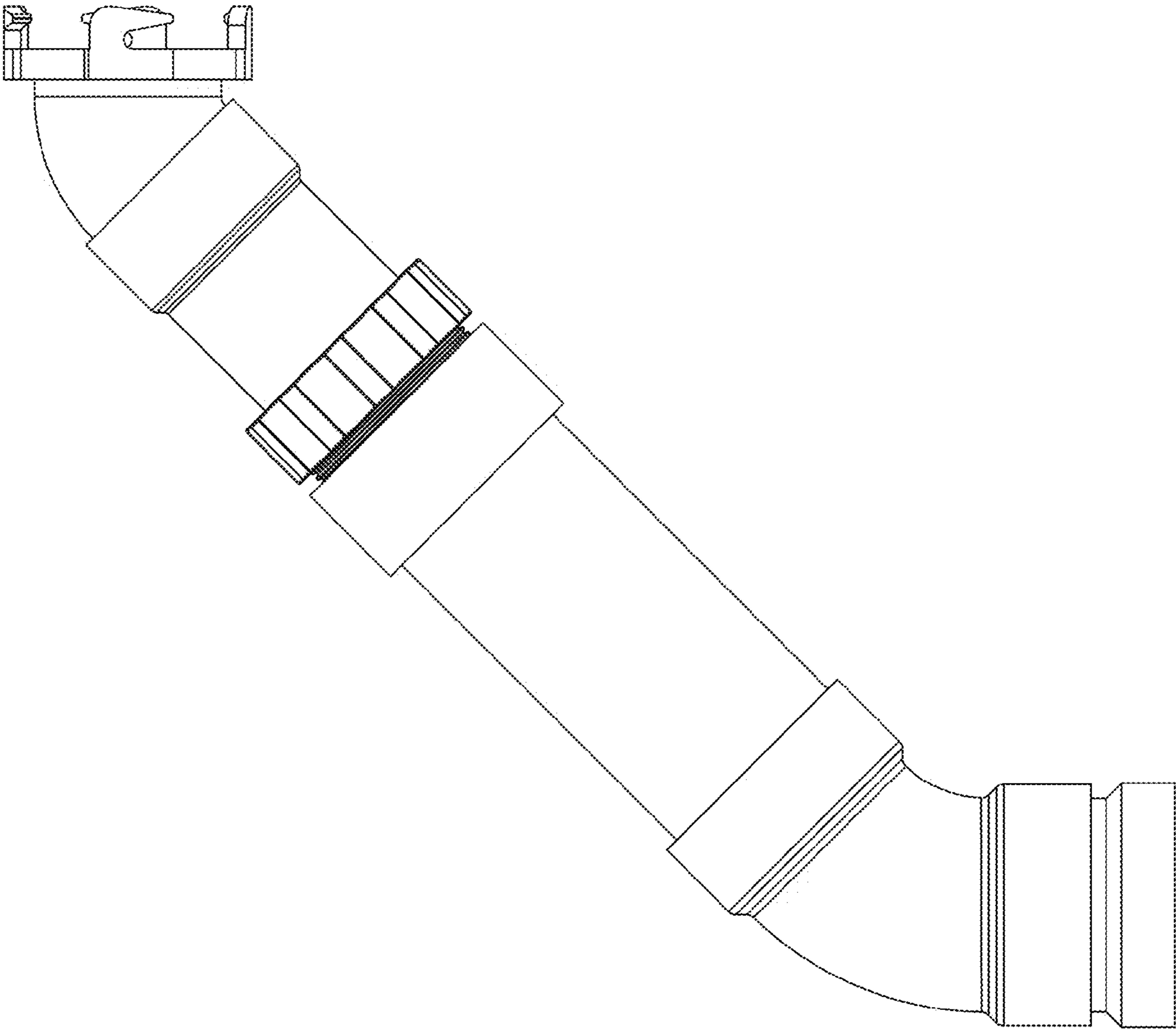


Fig. 3

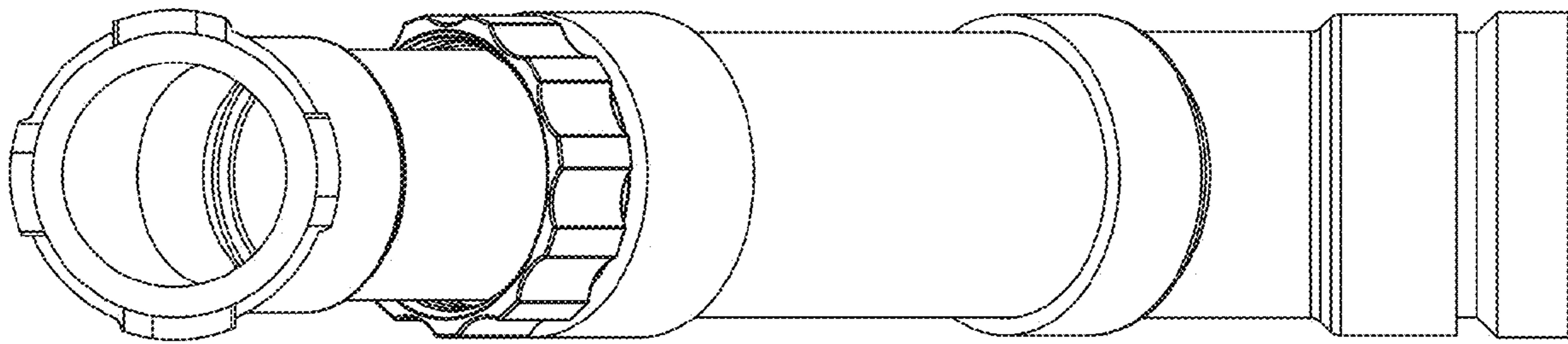


Fig. 4

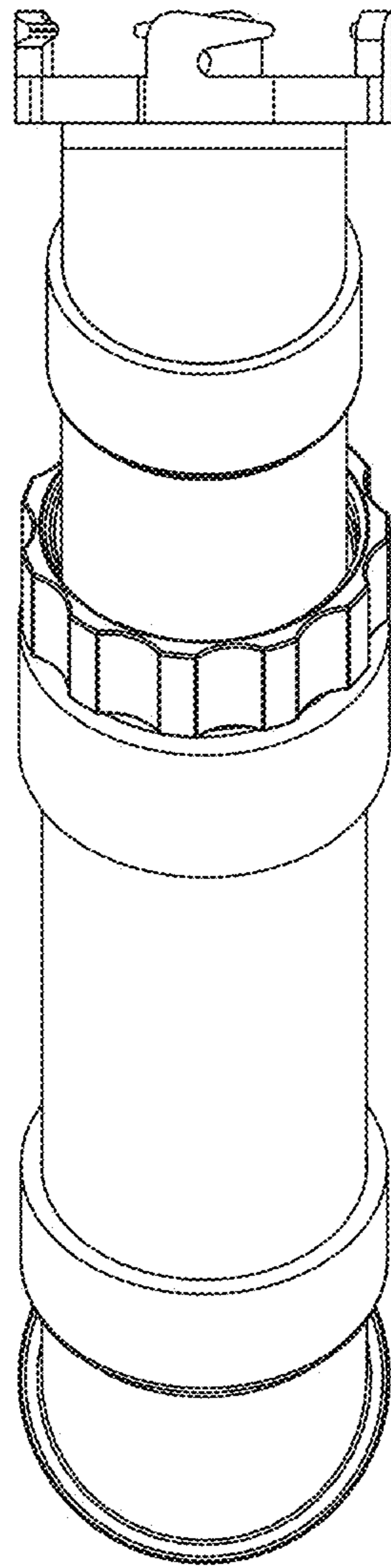


Fig. 5

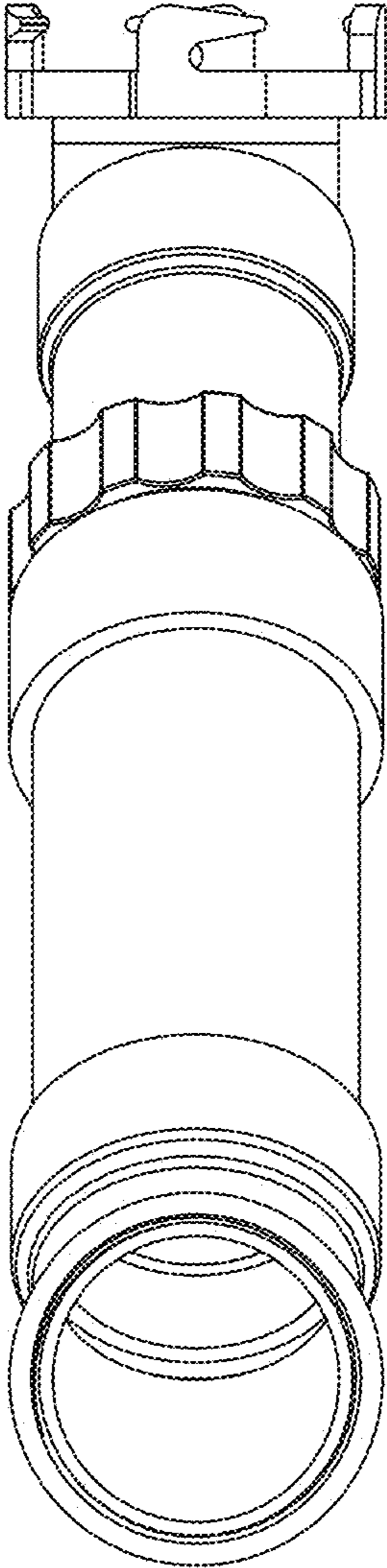


Fig. 6

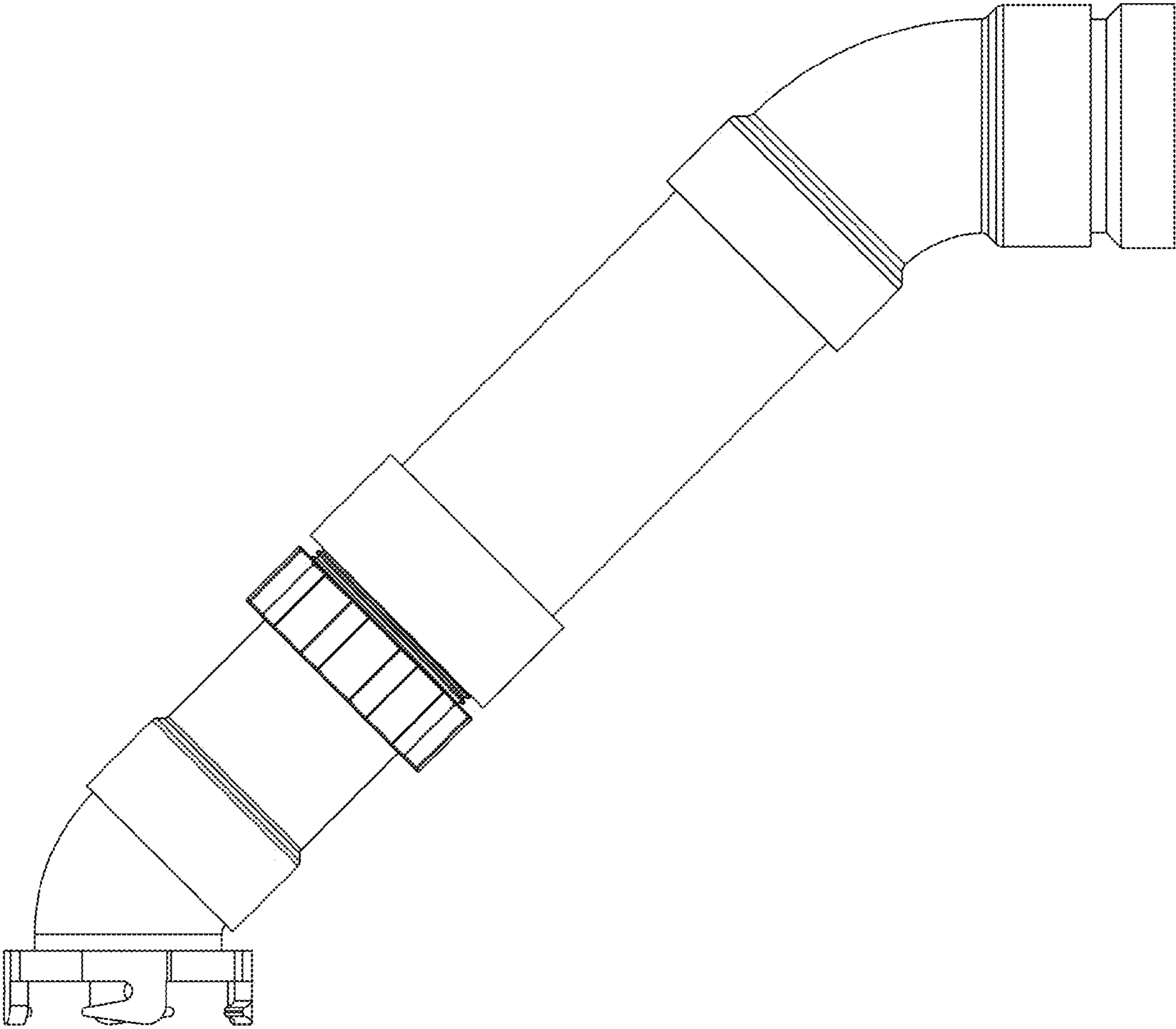


Fig. 7