



US00D892985S

(12) **United States Design Patent** (10) **Patent No.:** **US D892,985 S**
Besser et al. (45) **Date of Patent:** **** Aug. 11, 2020**

(54) **SUMP TUBE**

(71) Applicant: **ENVIZION MEDICAL LTD.**, Tel Aviv (IL)

(72) Inventors: **Doron Besser**, Tel Aviv (IL); **Guy Ben Ezra**, Karkur (IL)

(73) Assignee: **ENVIZION MEDICAL LTD.**, Tel Aviv (IL)

(**) Term: **15 Years**

(21) Appl. No.: **29/640,221**

(22) Filed: **Mar. 13, 2018**

(51) **LOC (12) Cl.** **23-01**

(52) **U.S. Cl.**
USPC **D23/266**; D24/108

(58) **Field of Classification Search**
USPC D23/200, 233, 235, 237, 260–261, 264, D23/259–268, 213; 138/109–110, 118, 138/178, 37, 39, 44, 123–124, 137, 140, 138/169; 137/247.21, 351, 355.12, 899; 285/302, 307–313, 394, 53, 57, 145.4, 285/417, 145.1, 145, 148.2, 298, 224, 285/179, 179.1, 125.1, 129.2, 131.1, 285/132.1; 239/531–532, 548; D32/4, D32/15–16, 35; 401/270, 272; D24/108–114, 129
CPC ... F16L 11/12; F16L 7/00; F16L 27/08; F16L 45/00; E03F 1/008; Y10T 403/1641; A61M 25/003

See application file for complete search history.

(56) **References Cited**

U.S. PATENT DOCUMENTS

D353,453 S *	12/1994	O'Toole	D24/108
D354,554 S *	1/1995	Newman, Sr.	D23/266
5,947,990 A *	9/1999	Smith	A61B 17/32002 604/22
D436,660 S *	1/2001	Wijnhoud	D24/108
D570,479 S *	6/2008	Rehbein	D24/108
D570,480 S *	6/2008	Rehbein	D24/108
D571,007 S *	6/2008	Rehbein	D24/112
D580,051 S *	11/2008	Rehbein	D24/108
D594,119 S *	6/2009	Berberich	D24/108
D729,384 S *	5/2015	Renner	D24/138
D753,283 S *	4/2016	Efinger	D24/108
D782,026 S *	3/2017	Bresco Torras	D24/108
2018/0206866 A1 *	7/2018	Wan	A61B 17/2202

* cited by examiner

Primary Examiner — Amy C Wierenga
(74) *Attorney, Agent, or Firm* — The Roy Gross Law Firm, LLC; Roy Gross

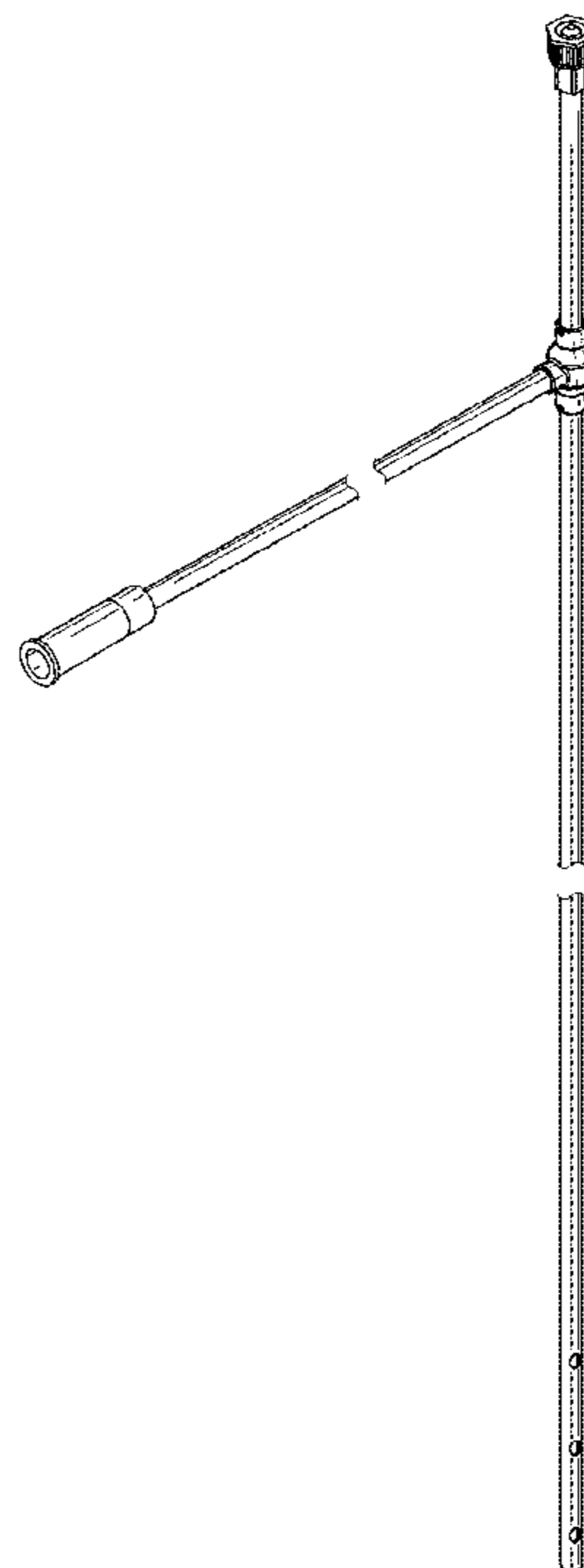
(57) **CLAIM**

The ornamental design for a sump tube, as shown and described.

DESCRIPTION

FIG. 1 is a front perspective view of a sump tube in accordance with the new design;
FIG. 2 is a front view thereof;
FIG. 3 is a rear view thereof;
FIG. 4 is a side view thereof;
FIG. 5 is a side view thereof;
FIG. 6 is a top view thereof; and,
FIG. 7 is a bottom view thereof.

1 Claim, 5 Drawing Sheets



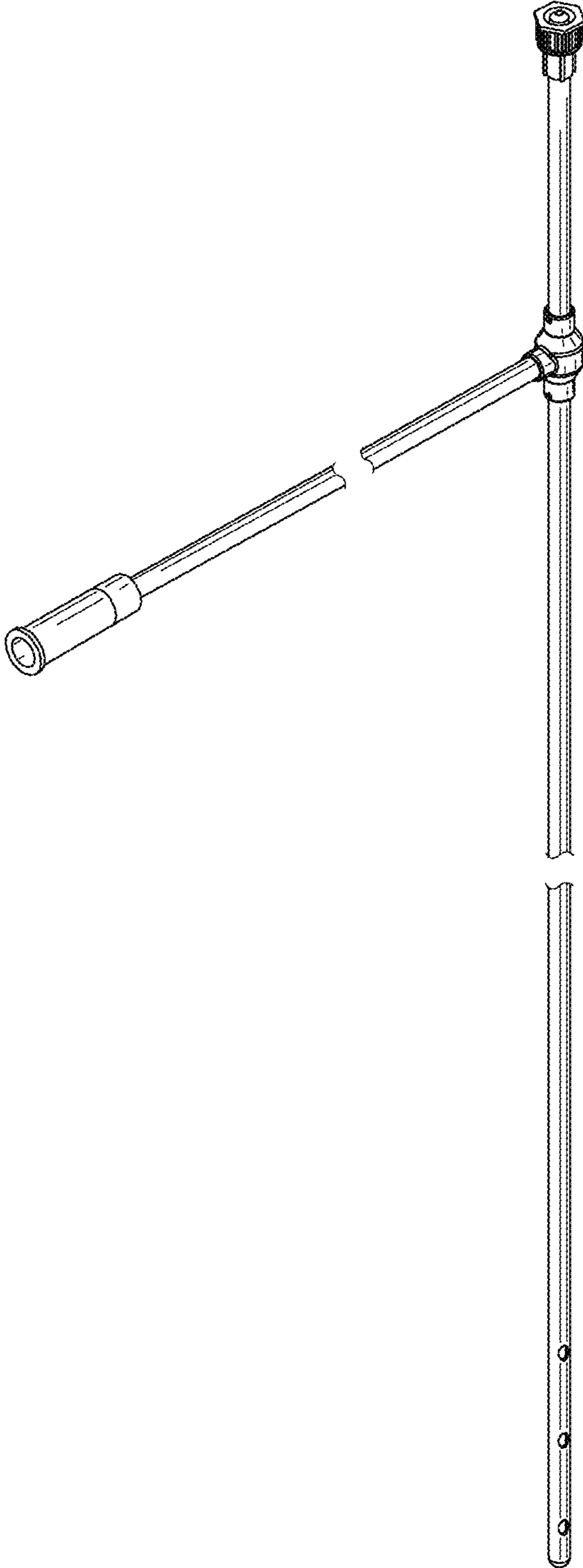


FIG.1

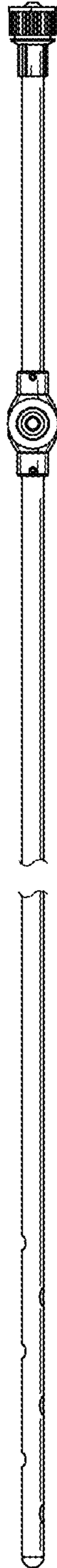


FIG. 2

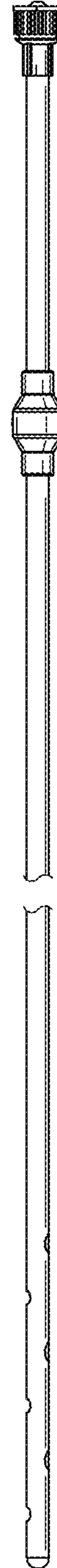


FIG. 3

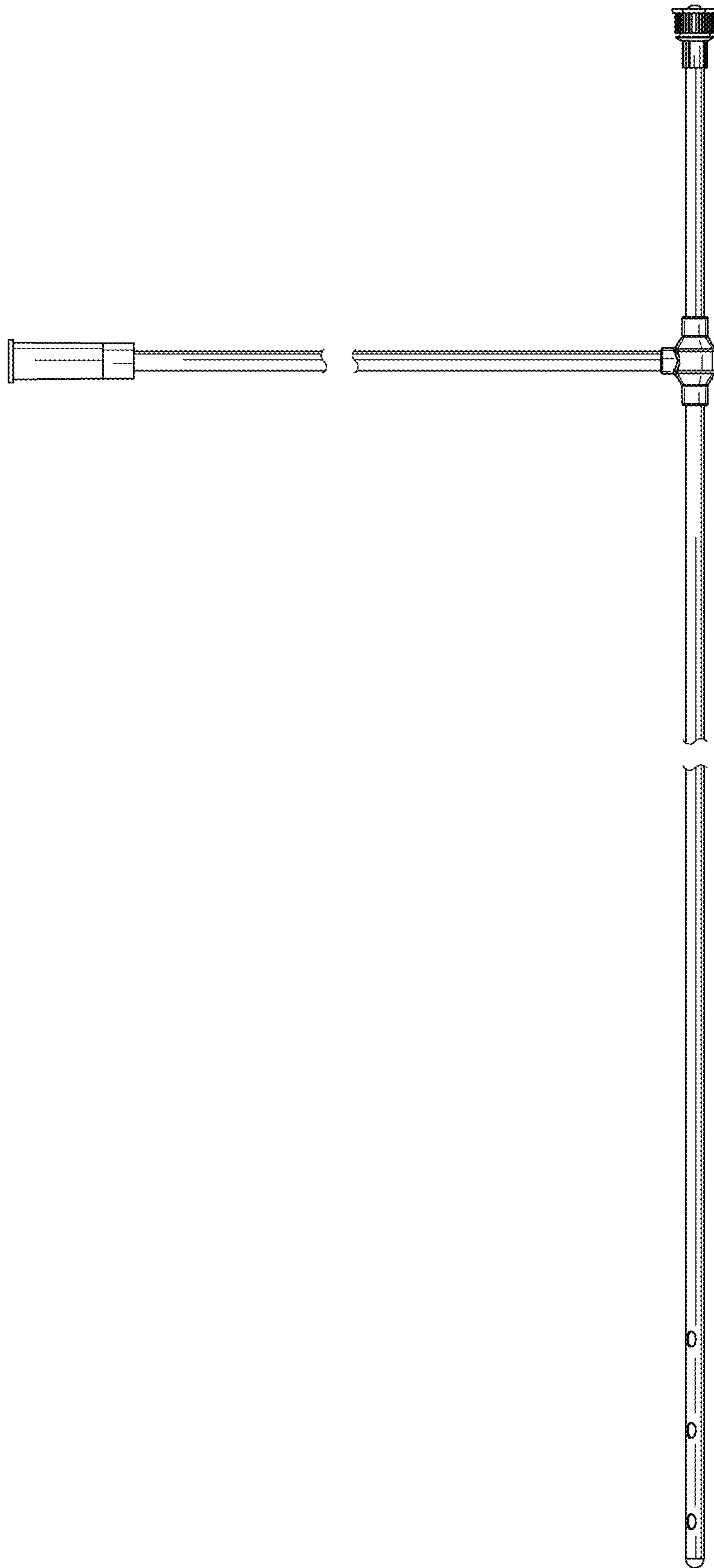


FIG. 4

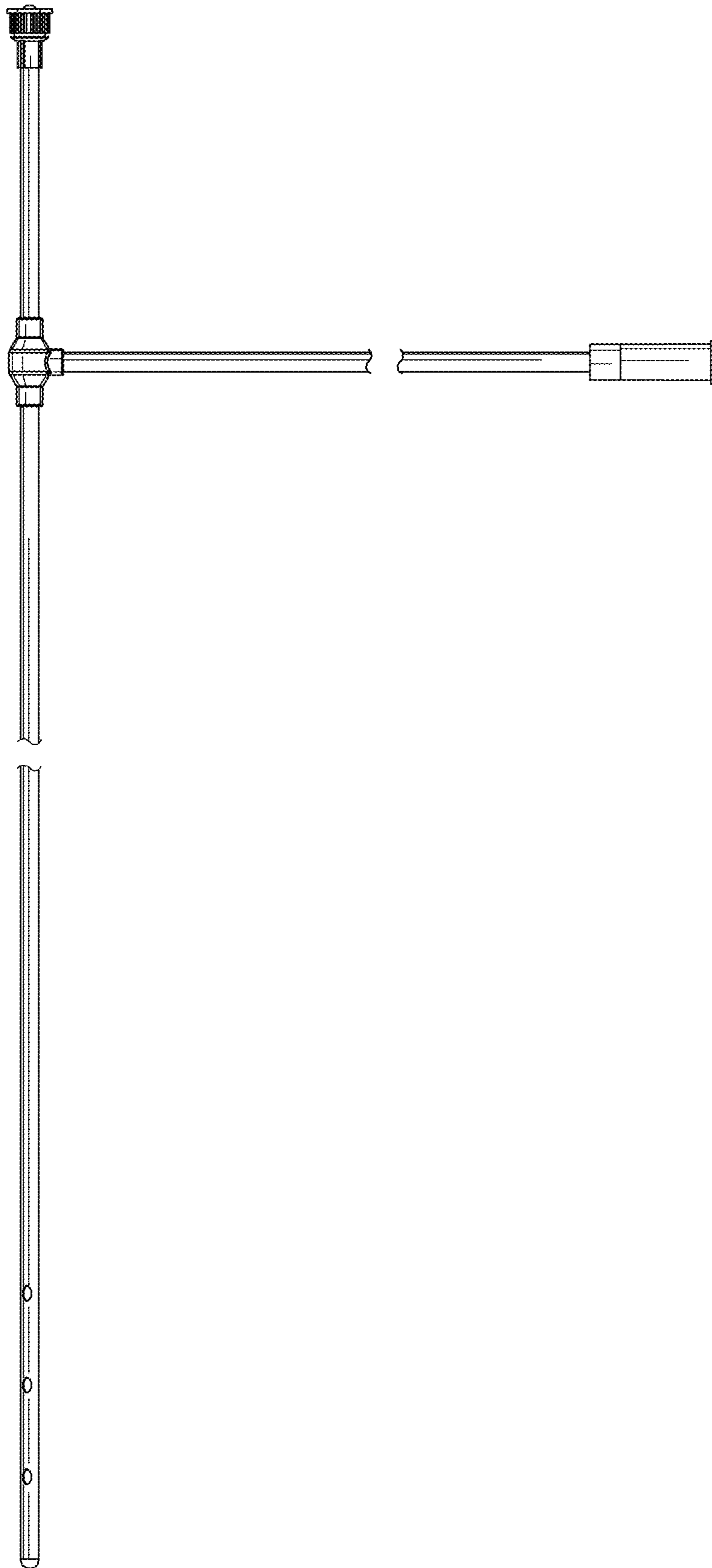


FIG. 5

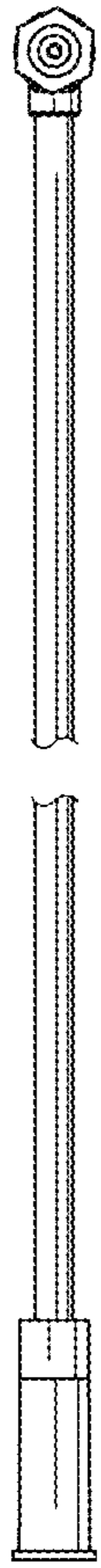


FIG. 6

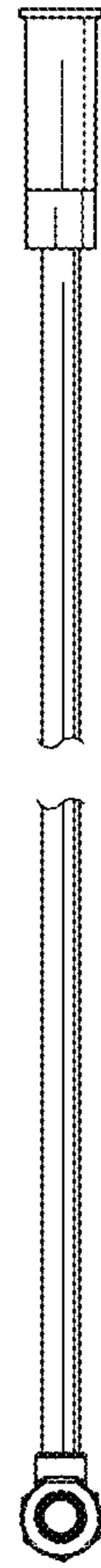


FIG. 7