



US00D892981S

(12) **United States Design Patent**  
**Takahashi et al.**

(10) **Patent No.: US D892,981 S**  
(45) **Date of Patent: \*\* Aug. 11, 2020**

(54) **MANIFOLD TYPE ELECTROMAGNETIC VALVE**

(56) **References Cited**

(71) Applicant: **SMC CORPORATION**, Chiyoda-ku (JP)

U.S. PATENT DOCUMENTS

(72) Inventors: **Masaharu Takahashi**, Moriya (JP);  
**Takashi Murakami**, Moriya (JP);  
**Shinichi Yoshimura**, Moriya (JP);  
**Shinji Miyazoe**, Moriya (JP)

D822,795 S \* 7/2018 Peschel ..... D23/233  
D827,777 S \* 9/2018 Miyazoe ..... D23/233  
D827,778 S \* 9/2018 Miyazoe ..... D23/233  
D872,833 S \* 1/2020 Takahashi ..... D23/233

(73) Assignee: **SMC CORPORATION**, Chiyoda-ku (JP)

\* cited by examiner

*Primary Examiner* — Gino Colan

(\*\*) Term: **15 Years**

(74) *Attorney, Agent, or Firm* — Oblon, McClelland, Maier & Neustadt, L.L.P.

(21) Appl. No.: **29/686,053**

(57) **CLAIM**

(22) Filed: **Apr. 2, 2019**

The ornamental design for a manifold type electromagnetic valve, as shown and described.

(30) **Foreign Application Priority Data**

**DESCRIPTION**

Oct. 30, 2018 (JP) ..... 2018-023806

(51) **LOC (12) Cl.** ..... **23-01**

(52) **U.S. Cl.**  
USPC ..... **D23/233**

(58) **Field of Classification Search**  
USPC ..... D23/233, 235, 249; 137/884, 597,  
137/596.16, 883; 251/129.15

CPC ..... F16K 27/003; F16K 1/126; F16K 11/22;  
F16K 27/029; F16K 31/0658; F16K  
11/0856; F16K 31/0603; F16K 11/00;  
F16K 27/0263; F16K 27/048; F16K  
31/02; F16K 31/0675; F15B 13/0814;  
F15B 13/0807; F15B 13/0817; F15B  
13/085; F15B 13/0889; F15B 13/044

FIG. 1 is a front, top, and left side perspective view of a manifold type electromagnetic valve showing our new design;

FIG. 2 is a rear, bottom, and right side perspective view thereof;

FIG. 3 is a front elevational view thereof;

FIG. 4 is a rear elevational view thereof;

FIG. 5 is a top plan view thereof;

FIG. 6 is a bottom plan view thereof;

FIG. 7 is a left side elevational view thereof; and,

FIG. 8 is a right side elevational view thereof.

The broken lines shown in the figures are for the purpose of illustrating portions of the manifold type electromagnetic valve that form no part of the claimed design.

See application file for complete search history.

**1 Claim, 8 Drawing Sheets**

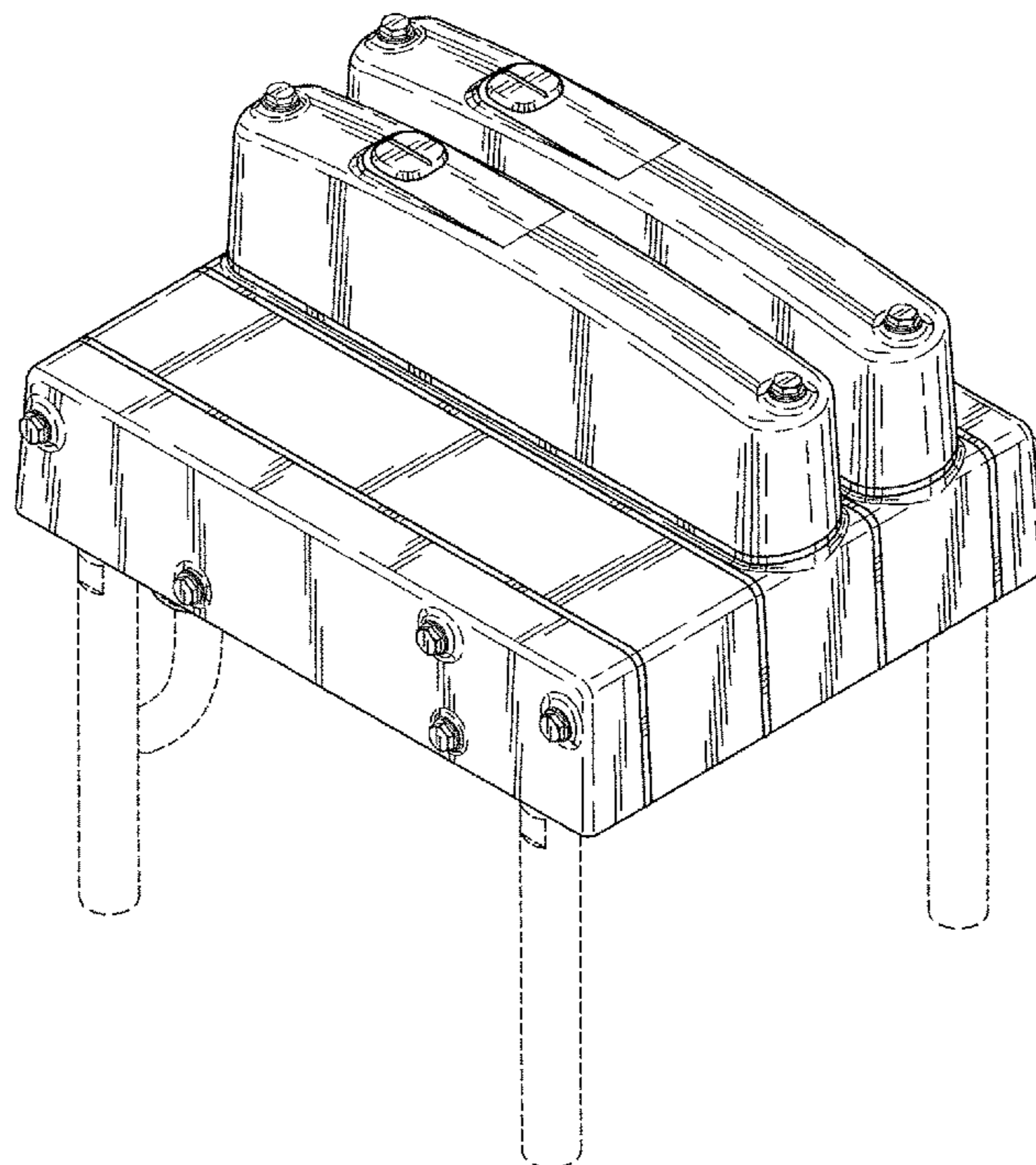


FIG. 1

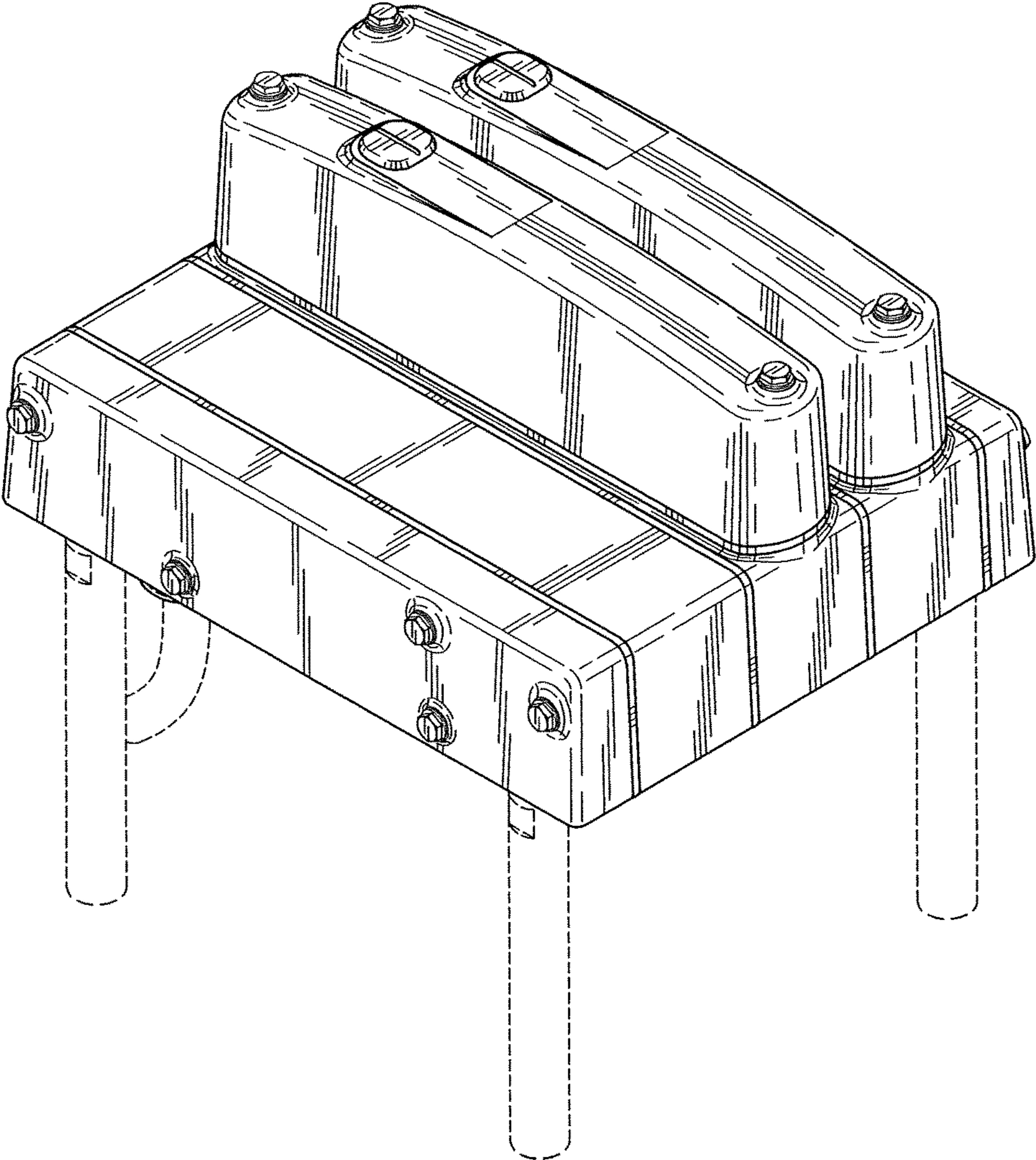


Fig. 2

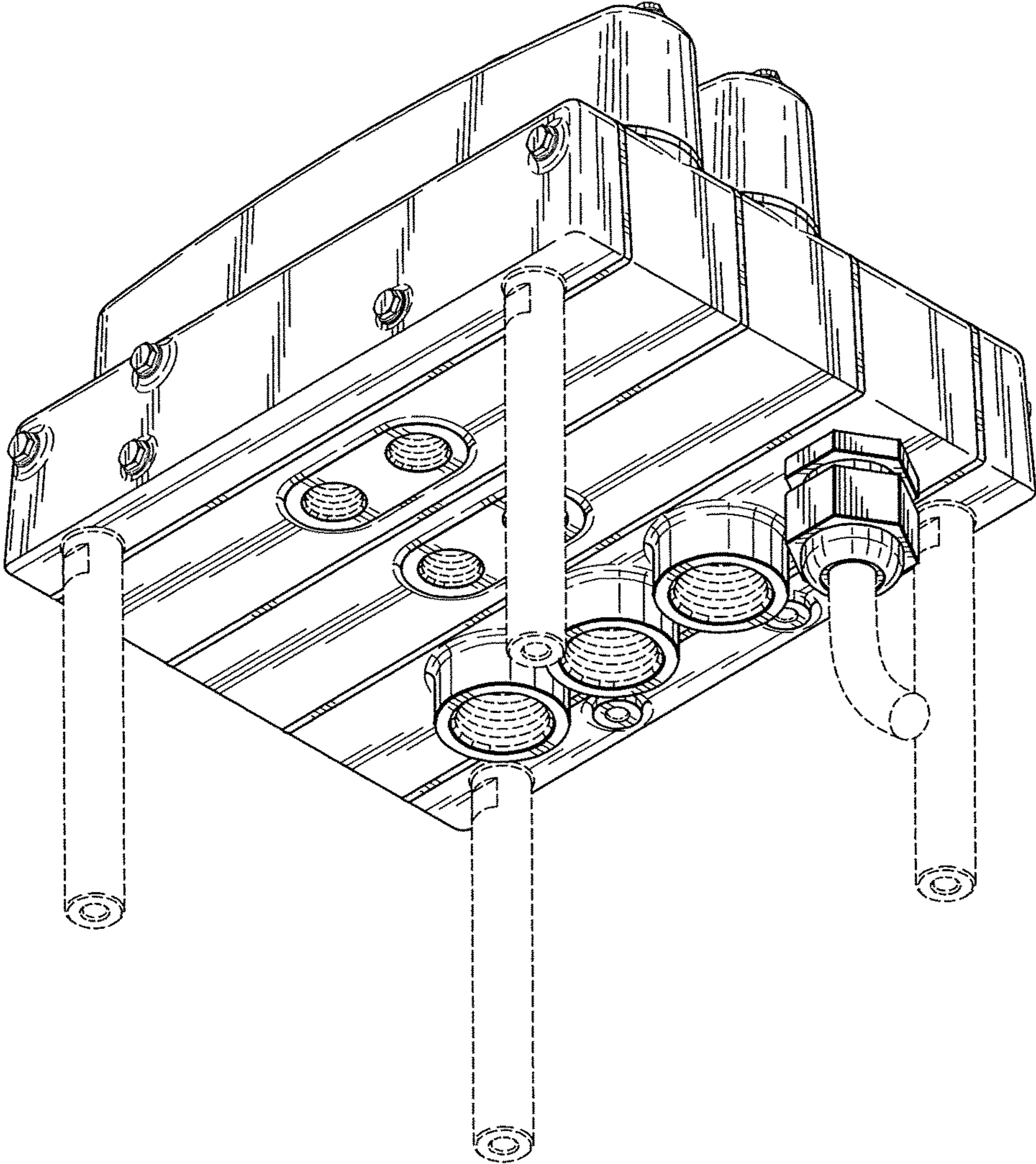


FIG. 3

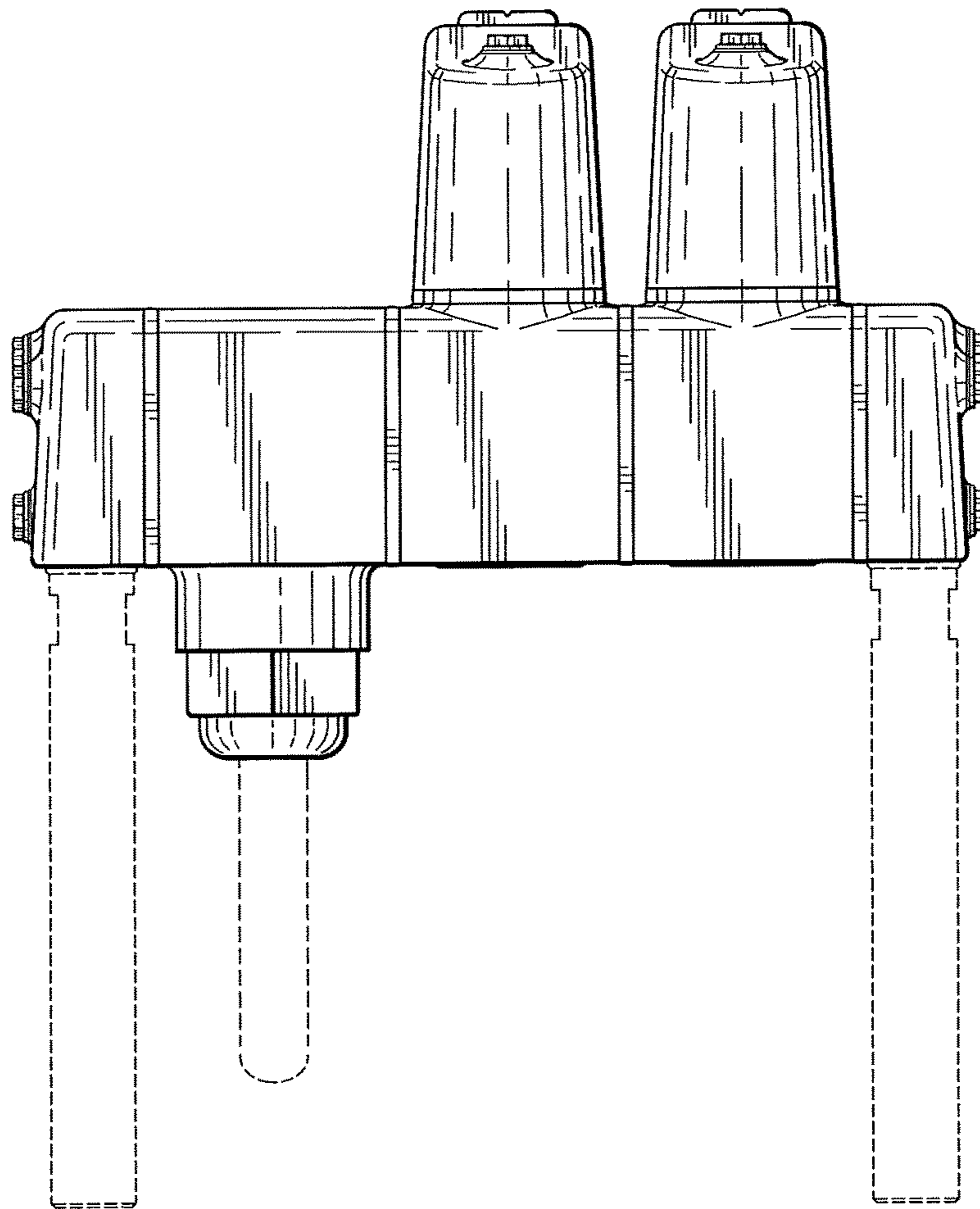


FIG. 4

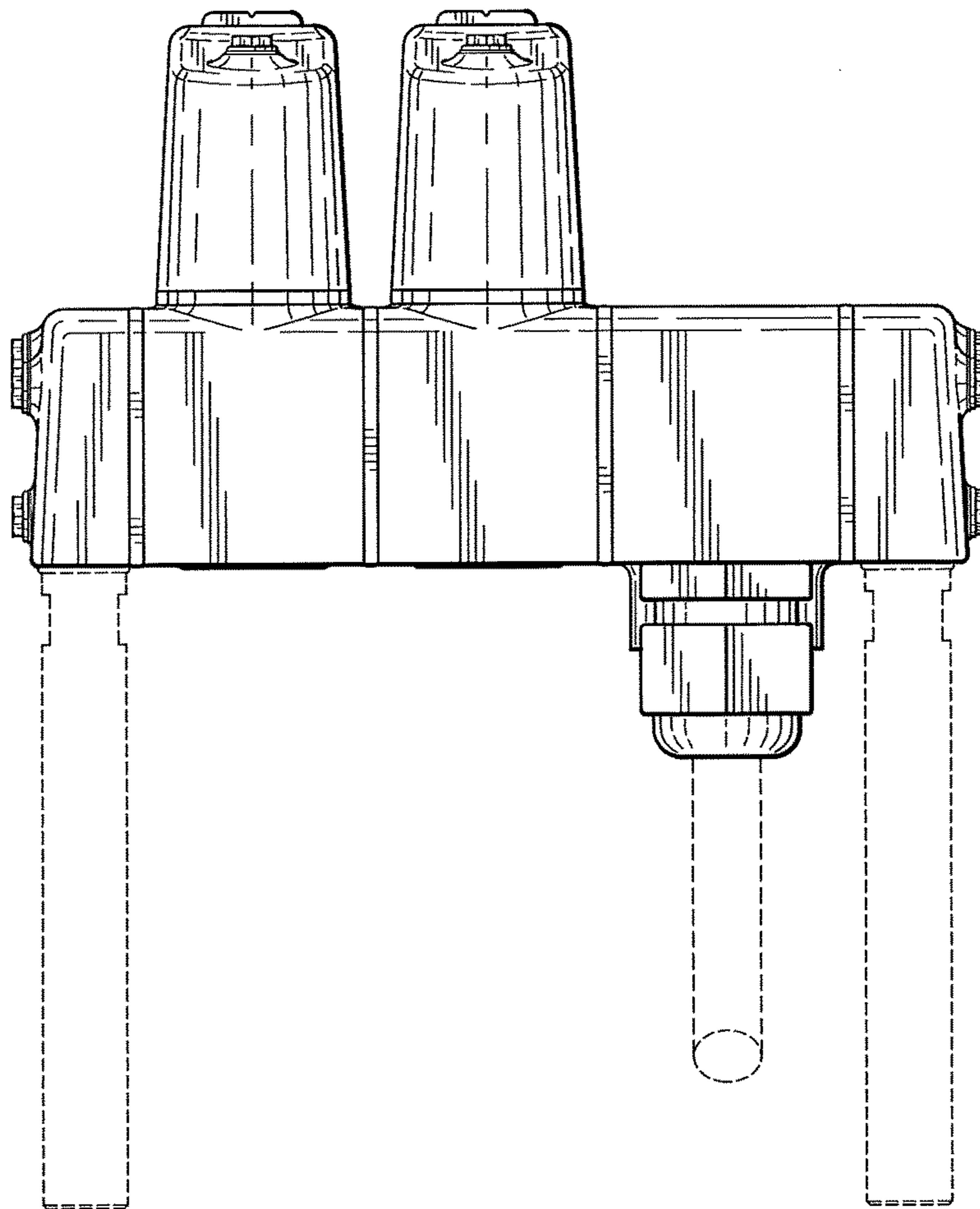


FIG. 5

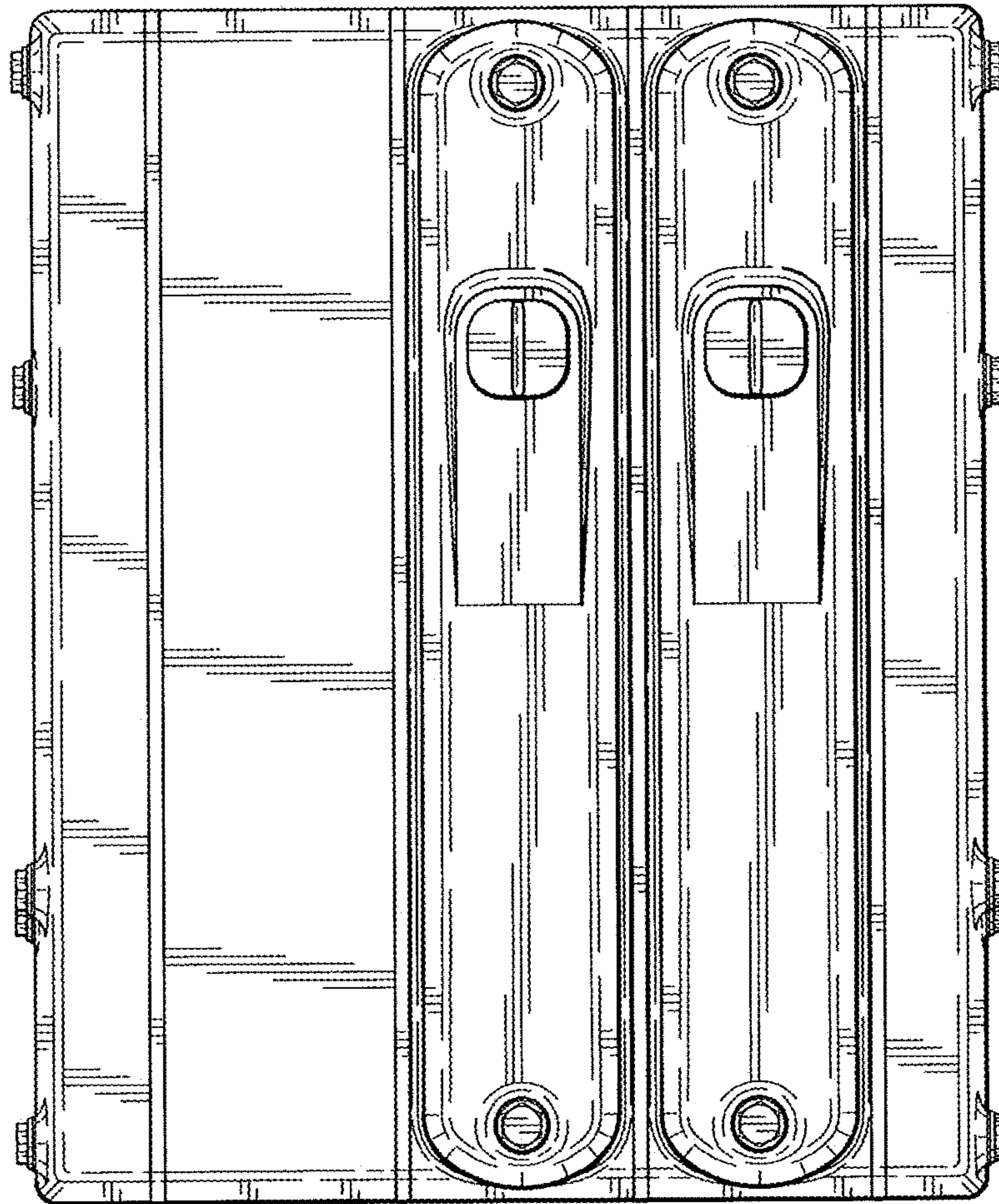


FIG. 6

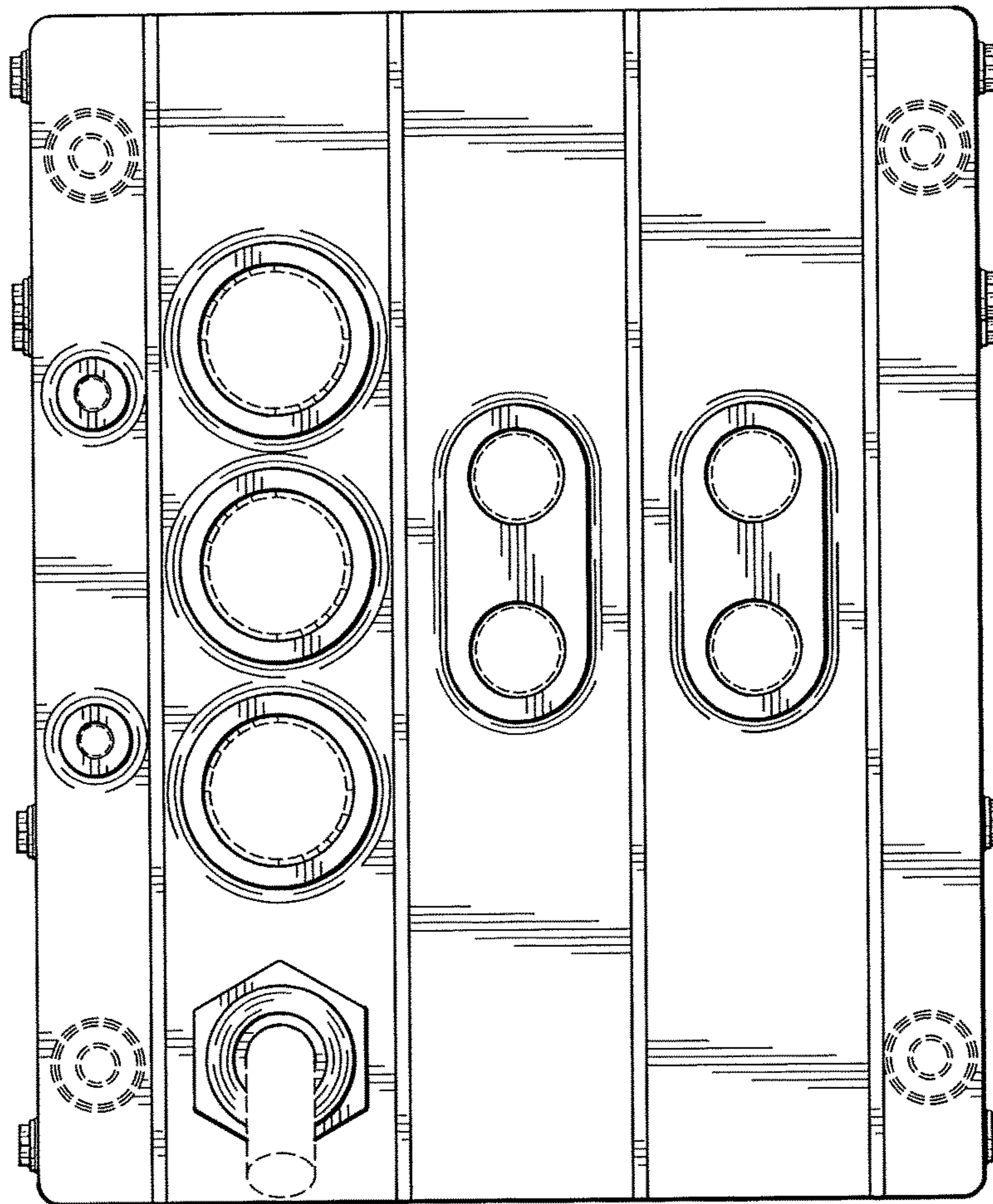


FIG. 7

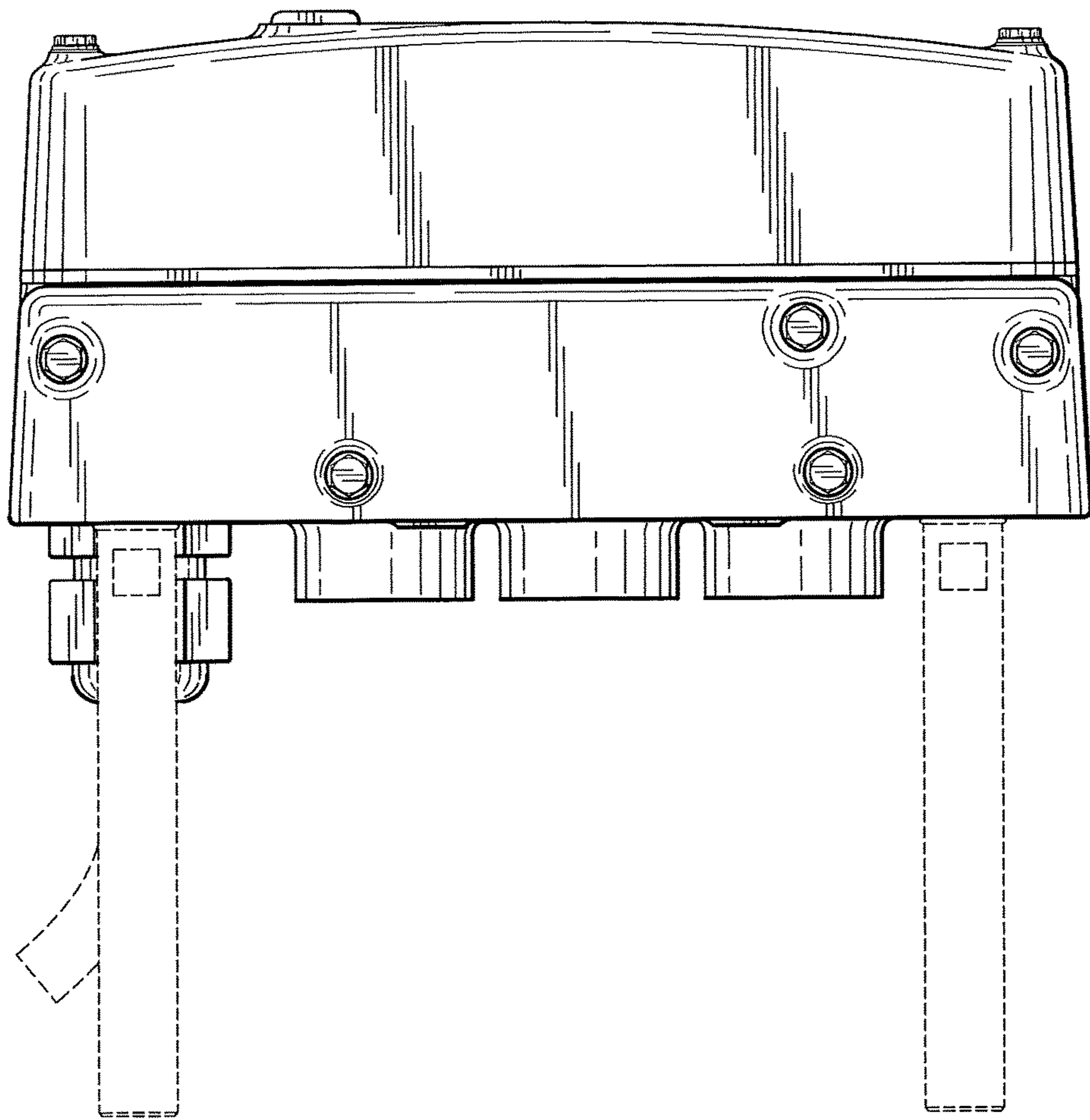




FIG. 8

