



US00D892980S

(12) **United States Design Patent**
Sato

(10) **Patent No.:** **US D892,980 S**

(45) **Date of Patent:** **** Aug. 11, 2020**

(54) **FLUID PRESSURE CYLINDER WITH SOLENOID VALVE**

(71) Applicant: **SMC CORPORATION**, Tokyo (JP)

(72) Inventor: **Ryosuke Sato**, Tsukubamirai (JP)

(73) Assignee: **SMC CORPORATION**, Tokyo (JP)

(**) Term: **15 Years**

(21) Appl. No.: **29/681,910**

(22) Filed: **Feb. 28, 2019**

(30) **Foreign Application Priority Data**

Sep. 12, 2018 (CN) 2018 3 0512118

(51) **LOC (12) Cl.** **23-01**

(52) **U.S. Cl.**
USPC **D23/233**

(58) **Field of Classification Search**
USPC D23/233, 235; D15/7; D10/85
CPC .. F16K 31/0675; F16K 27/029; F16K 27/048;
F16K 31/082; F16K 11/24; F02M
63/0017; F02M 51/061; F02M 59/366
See application file for complete search history.

(56) **References Cited**

U.S. PATENT DOCUMENTS

D499,348 S * 12/2004 Matsumoto D10/85
D575,175 S * 8/2008 Suzuki D10/85
7,557,568 B2 * 7/2009 Terasaki F15B 15/2861
324/207.2

D760,805 S * 7/2016 Monden D15/7
D770,595 S * 11/2016 Suzuki D23/233
D794,164 S * 8/2017 Suzuki D23/233
D857,164 S * 8/2019 Fukuhara D23/235
D857,165 S * 8/2019 Fukuhara D23/235

FOREIGN PATENT DOCUMENTS

CN 304699600 S 6/2018

* cited by examiner

Primary Examiner — Gino Colan

(74) *Attorney, Agent, or Firm* — Birch, Stewart, Kolasch & Birch, LLP

(57) **CLAIM**

The ornamental design for a fluid pressure cylinder with solenoid valve, as shown and described.

DESCRIPTION

FIG. 1 is a front, top and left side perspective view of a fluid pressure cylinder with solenoid valve showing my new design;
FIG. 2 is a rear, bottom and right side perspective view thereof;
FIG. 3 is a front view thereof;
FIG. 4 is a rear view thereof;
FIG. 5 is a top plan view thereof;
FIG. 6 is a bottom plan view thereof;
FIG. 7 is a left side view thereof; and,
FIG. 8 is a right side view thereof.
The broken lines depict portions of the fluid pressure cylinder with solenoid valve that form no part of the claimed design.

1 Claim, 8 Drawing Sheets

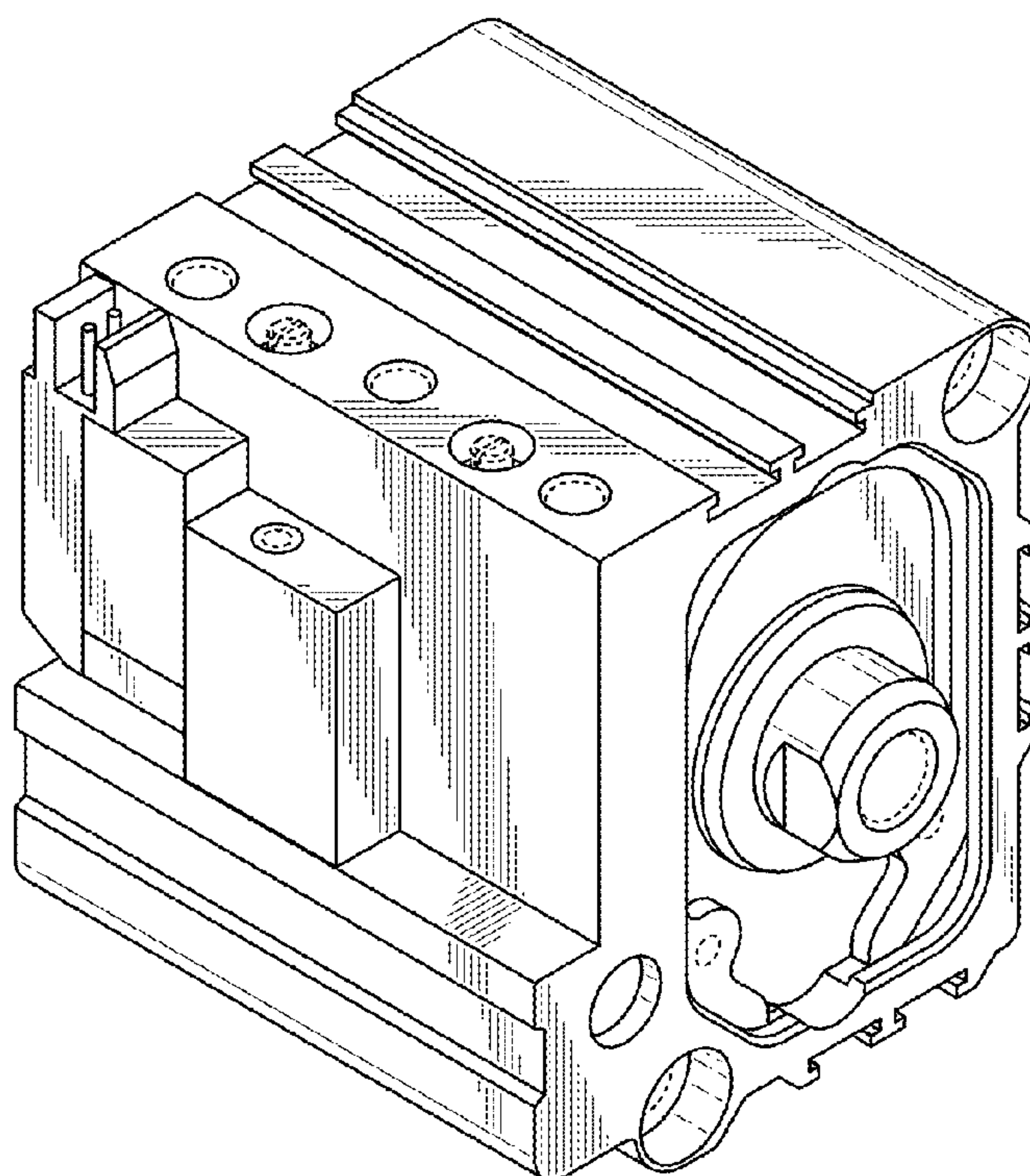


FIG. 1

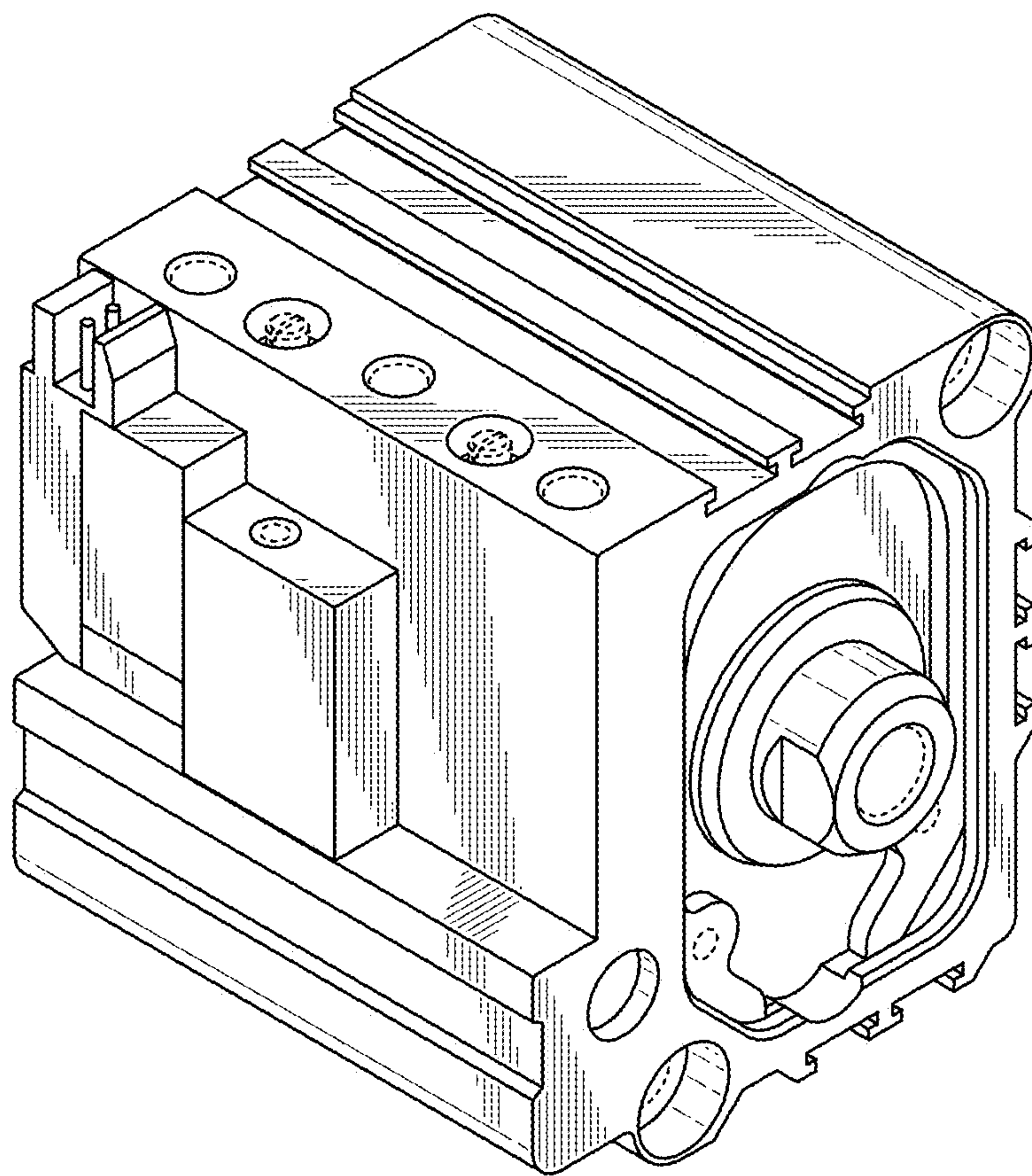


FIG. 2

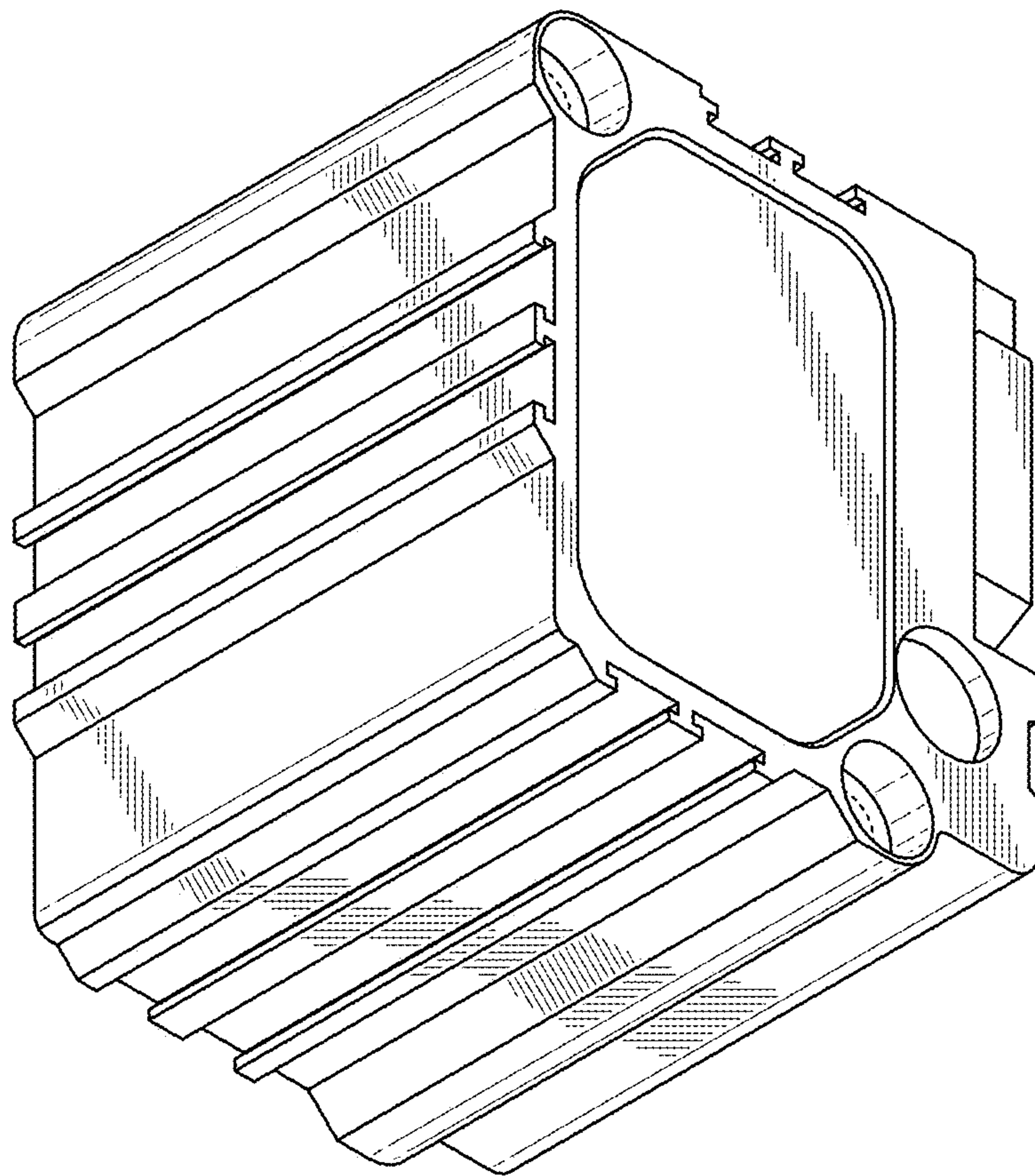


FIG. 3

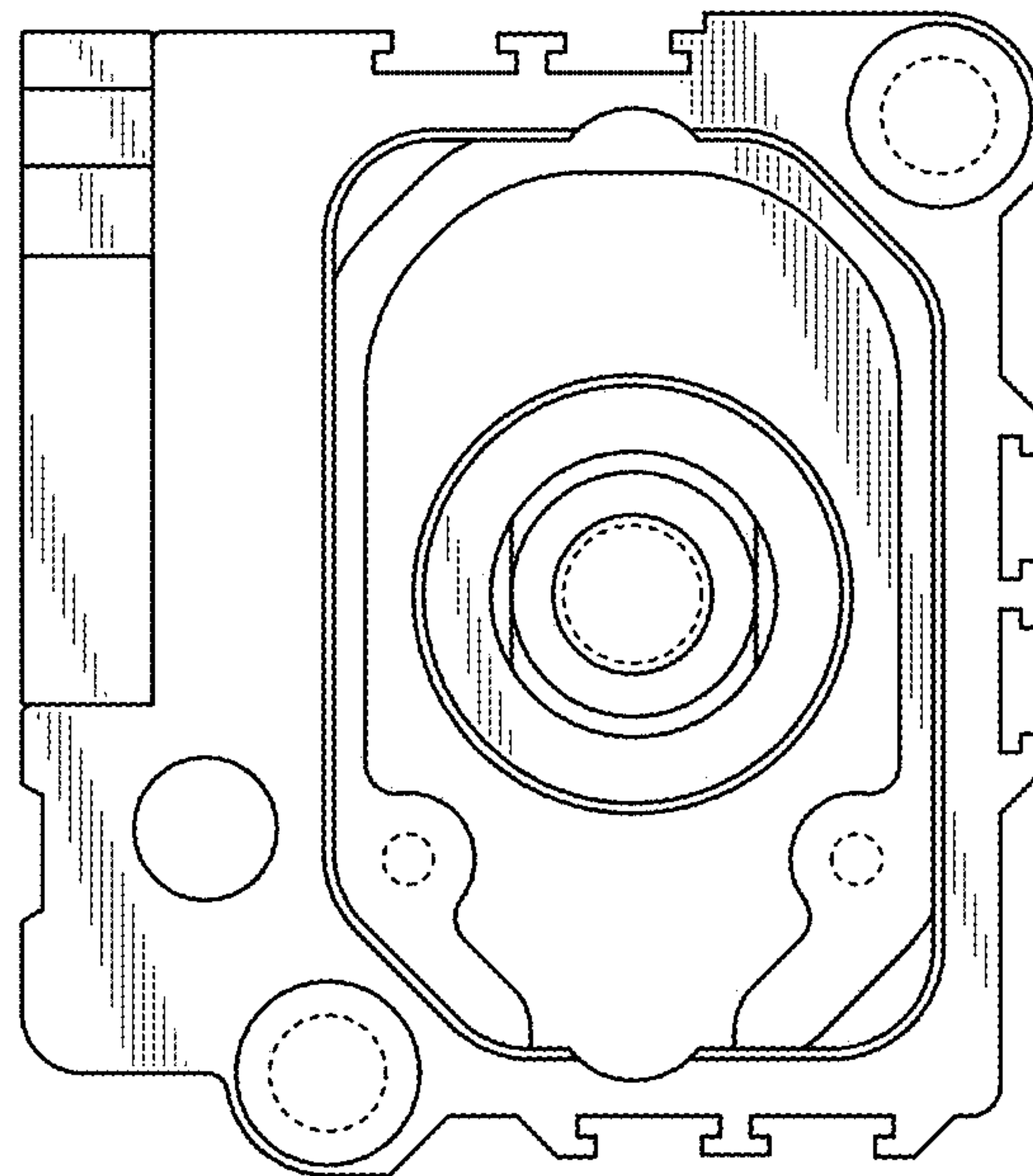


FIG. 4

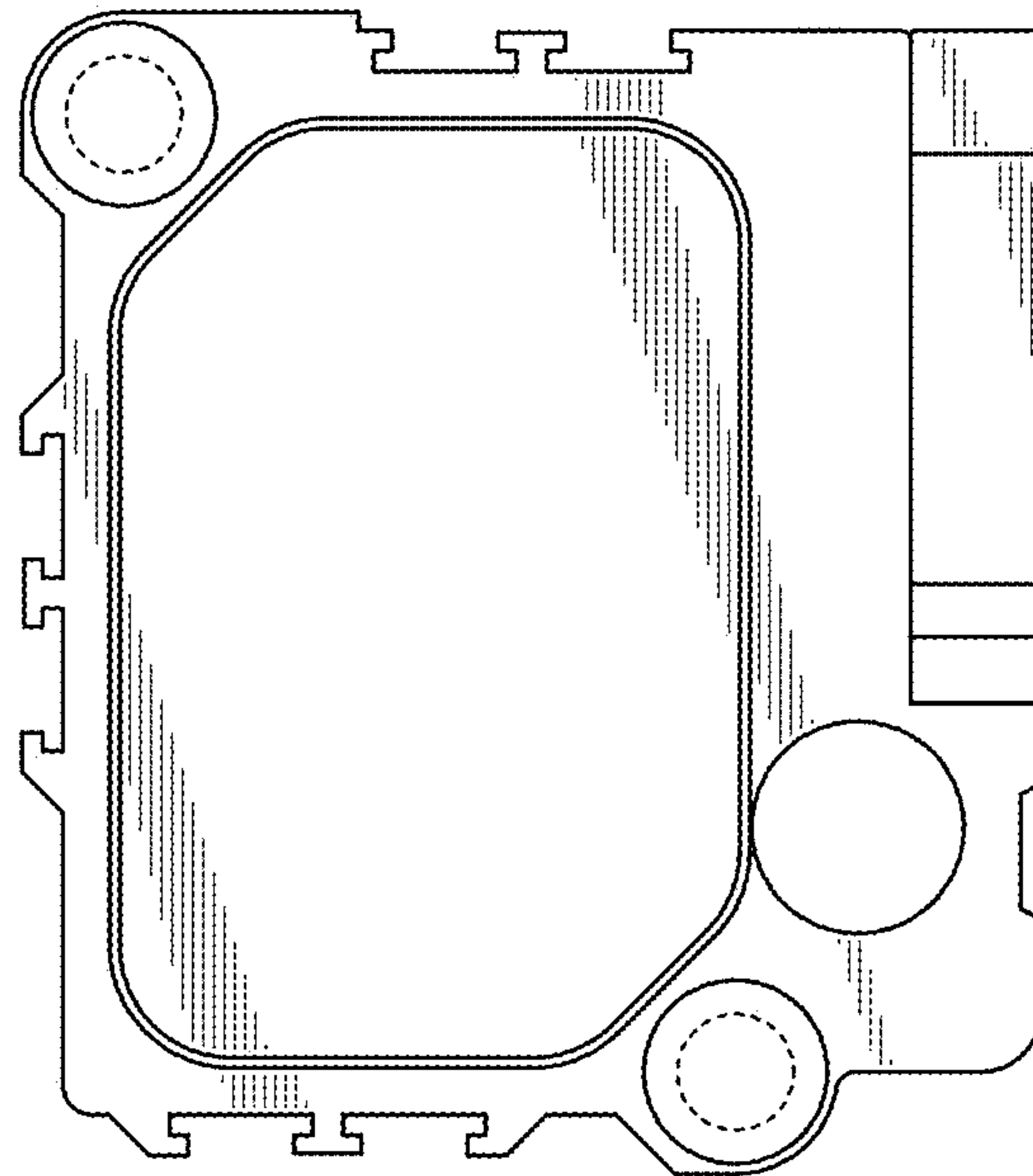


FIG. 5

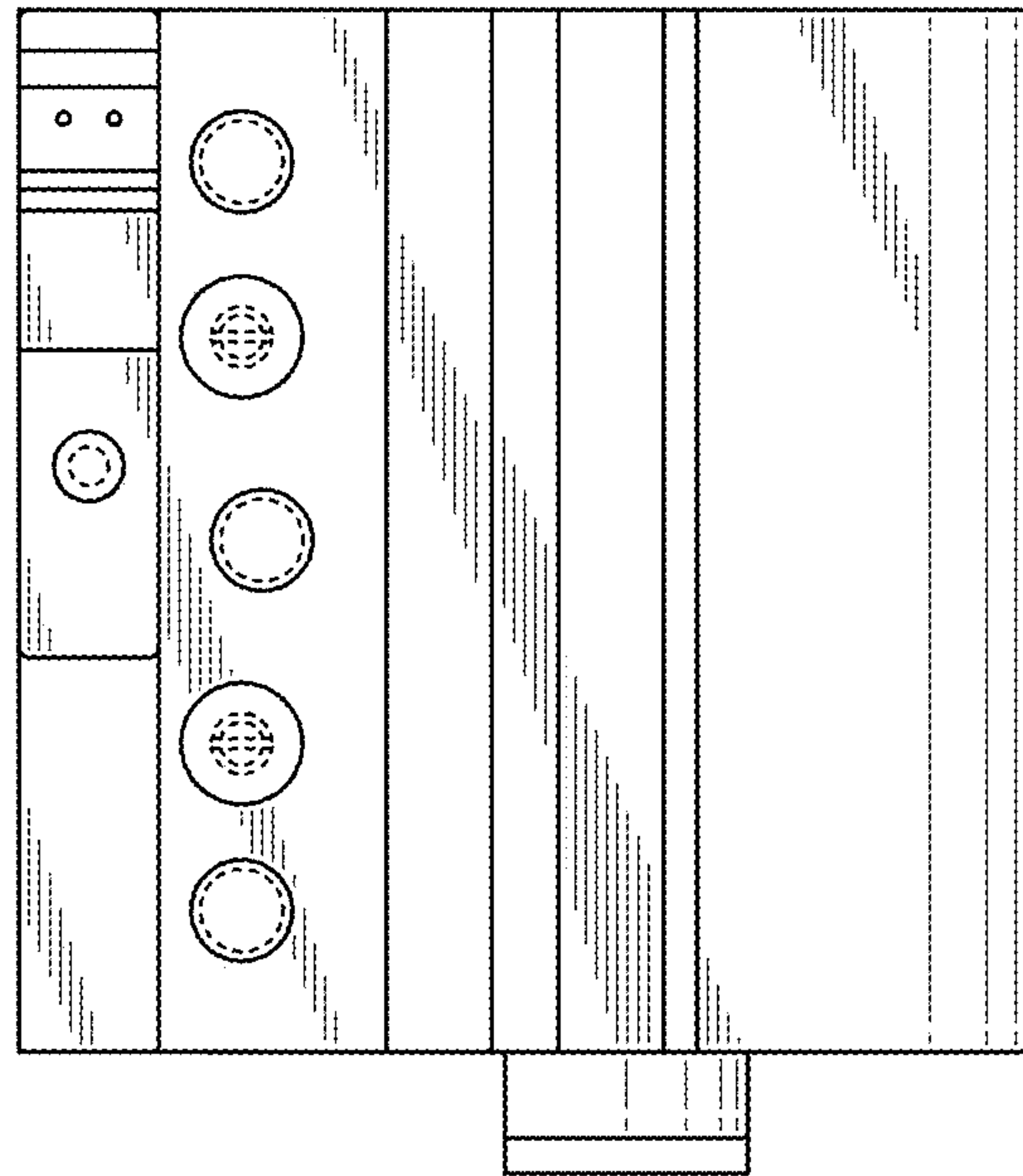


FIG. 6

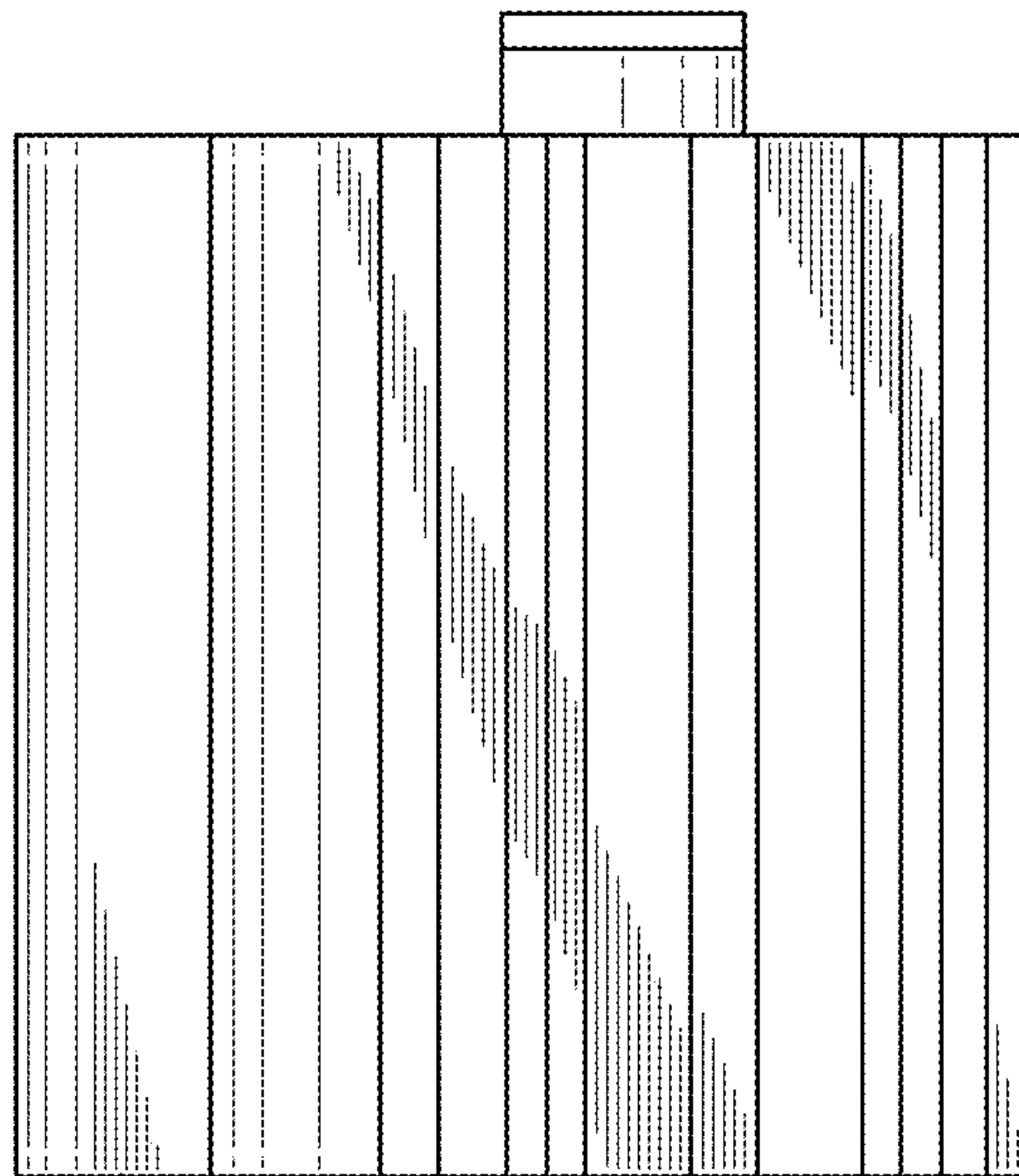


FIG. 7

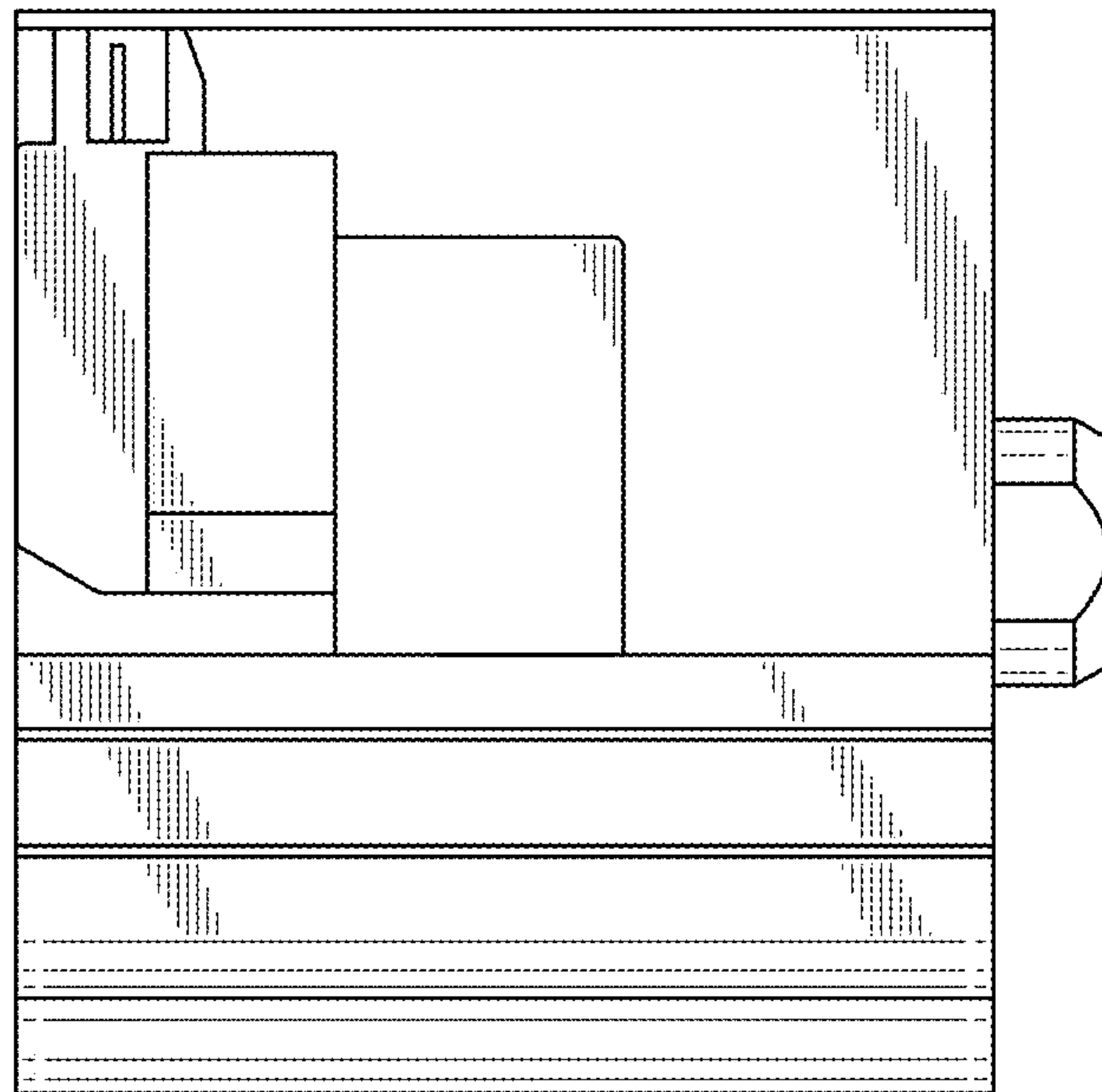


FIG. 8

