



US00D892979S

(12) **United States Design Patent**
Kimura

(10) **Patent No.:** **US D892,979 S**

(45) **Date of Patent:** **** Aug. 11, 2020**

(54) **SOLENOID VALVE**

(71) Applicant: **SMC CORPORATION**, Tokyo (JP)

(72) Inventor: **Takahiro Kimura**, Tsukubamirai (JP)

(73) Assignee: **SMC CORPORATION**, Tokyo (JP)

(**) Term: **15 Years**

(21) Appl. No.: **29/681,899**

(22) Filed: **Feb. 28, 2019**

(30) **Foreign Application Priority Data**

Sep. 7, 2018 (JP) 2018-019505

(51) **LOC (12) Cl.** **23-01**

(52) **U.S. Cl.**
USPC **D23/233**

(58) **Field of Classification Search**
USPC D23/233, 235; 251/129.01, 129.15, 68,
251/554; D10/49, 96, 83
CPC .. F16K 31/0675; F16K 27/029; F16K 27/048;
F16K 31/082; F16K 11/24; F02M
63/0017; F02M 51/061; F02M 59/366
See application file for complete search history.

(56) **References Cited**

U.S. PATENT DOCUMENTS

D373,735 S * 9/1996 Kurisaki D10/83
D373,959 S * 9/1996 Kurisaki D10/83
D562,169 S * 2/2008 Oshima D10/96
D563,515 S * 3/2008 Yoshimura D23/233
D564,072 S * 3/2008 Yoshimura D23/233
D587,611 S * 3/2009 Oshima D10/83

D609,591 S * 2/2010 Oshima D10/96
D734,833 S * 7/2015 Sato D23/233
D828,770 S * 9/2018 Mandokoro D10/49

FOREIGN PATENT DOCUMENTS

CN 303951430 S 11/2016
JP 1565027 S 12/2016

* cited by examiner

Primary Examiner — Gino Colan

(74) *Attorney, Agent, or Firm* — Birch, Stewart, Kolasch & Birch, LLP

(57) **CLAIM**

The ornamental design for a solenoid valve, as shown and described.

DESCRIPTION

FIG. 1 is a front, top and left side perspective view of a solenoid valve showing my new design;
FIG. 2 is a rear, bottom and right side perspective view thereof;
FIG. 3 is a front view thereof;
FIG. 4 is a rear view thereof;
FIG. 5 is a top plan view thereof;
FIG. 6 is a bottom plan view thereof;
FIG. 7 is a left side view thereof; and,
FIG. 8 is a right side view thereof.
The solenoid valve is shown with symbolic breaks in its length. The appearance of any portion of the article between the break lines form no part of the claimed design.
The broken lines depict portions of the solenoid valve that form no part of the claimed design.

1 Claim, 8 Drawing Sheets

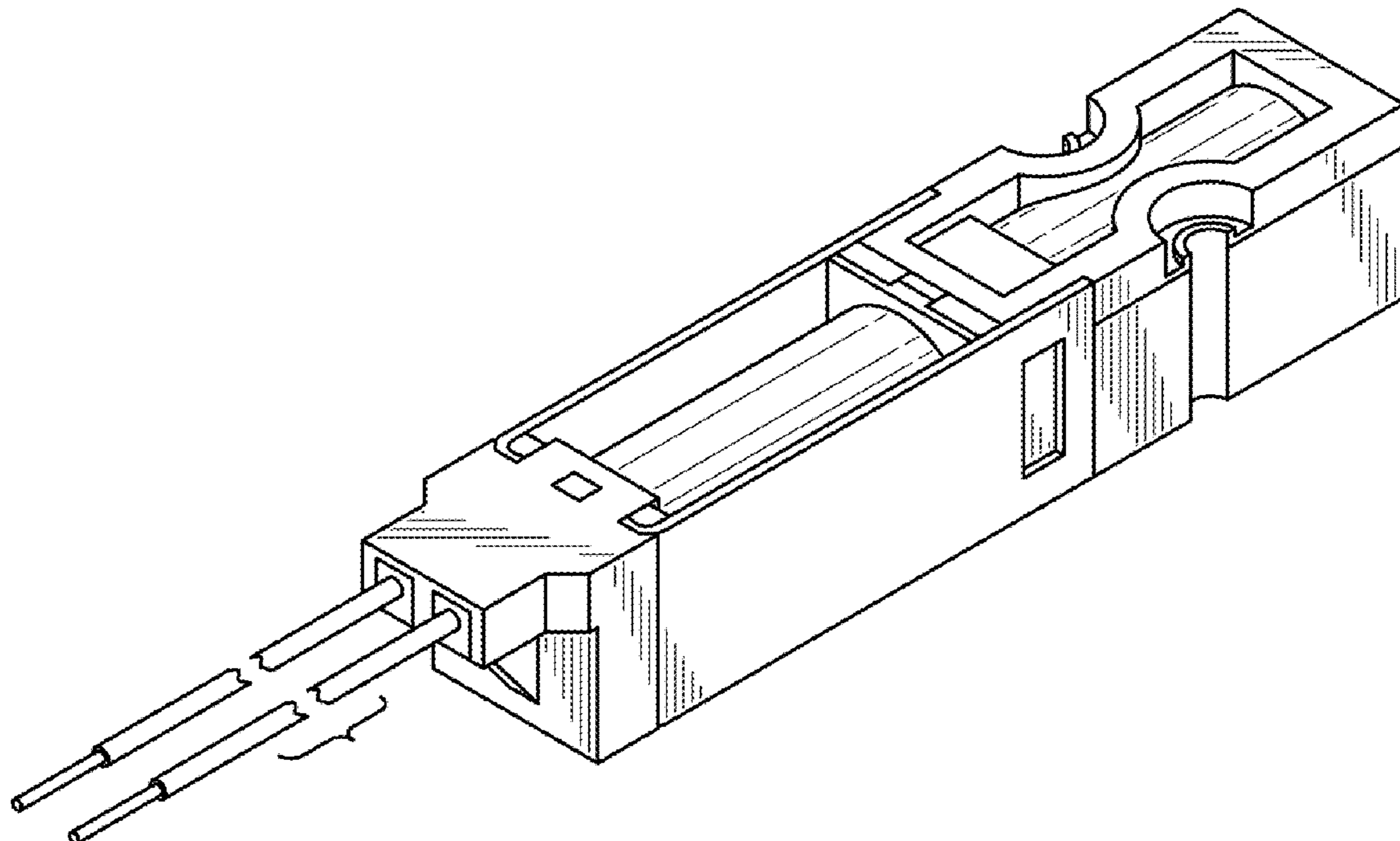


FIG. 1

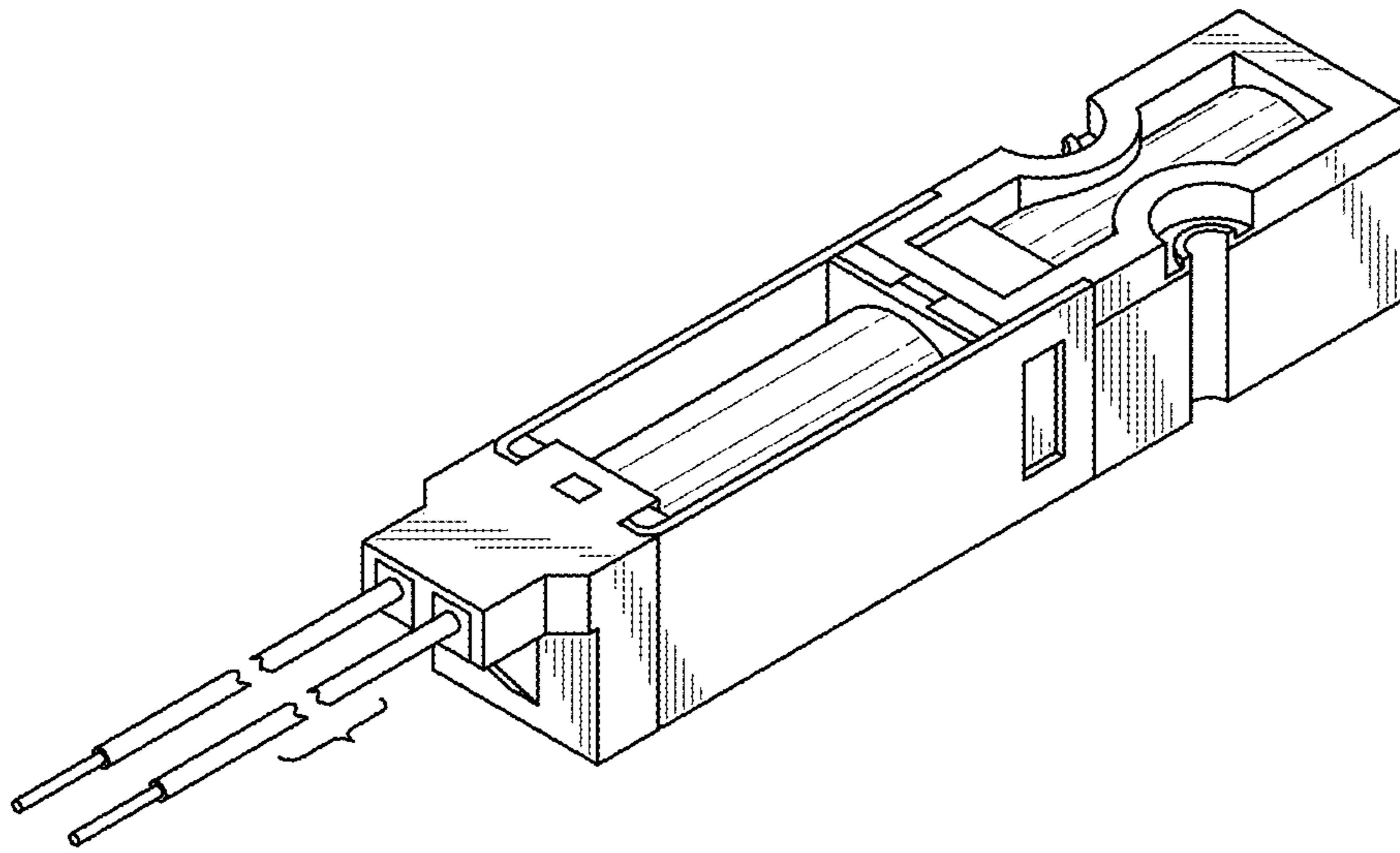


FIG. 2

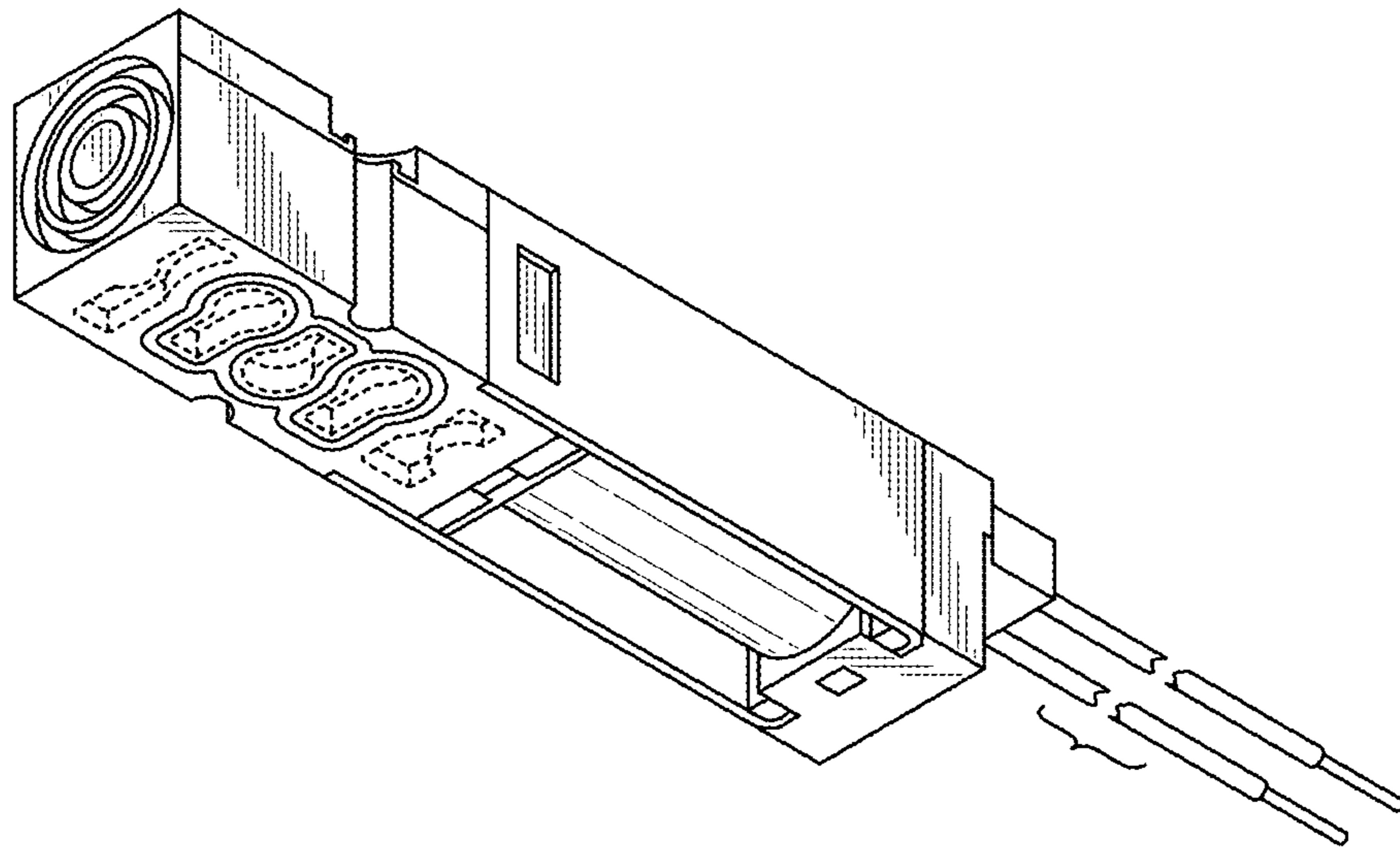


FIG. 3

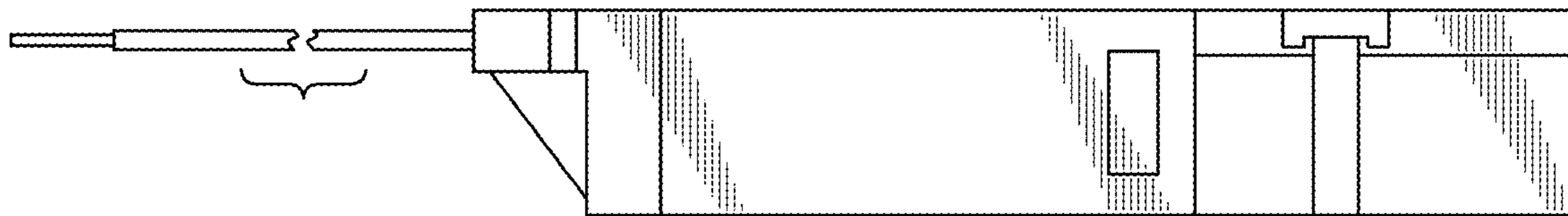


FIG. 4

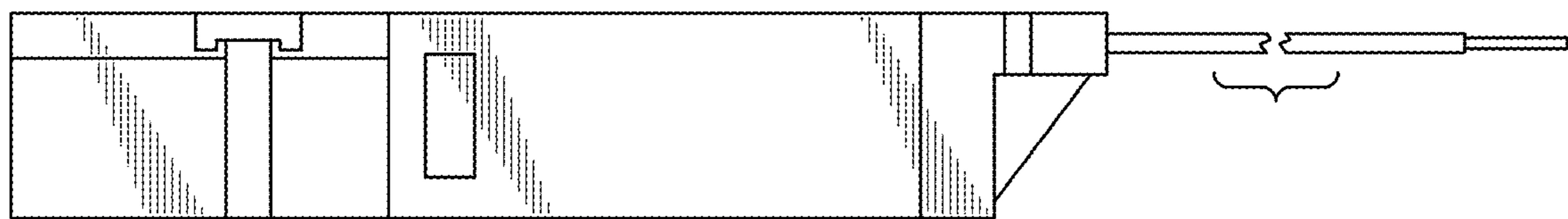


FIG. 5

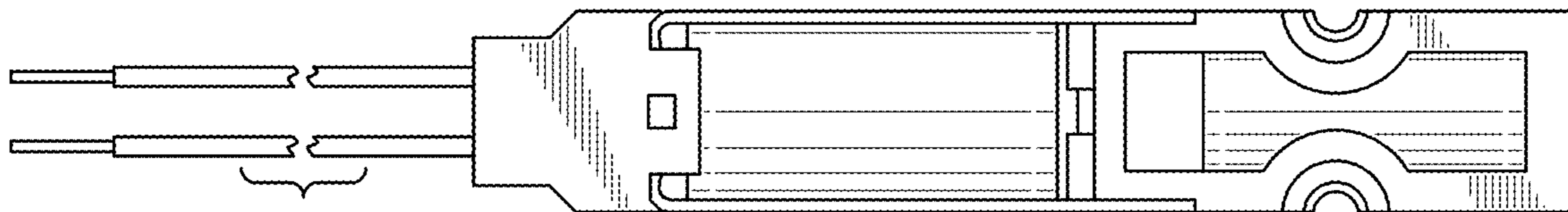


FIG. 6

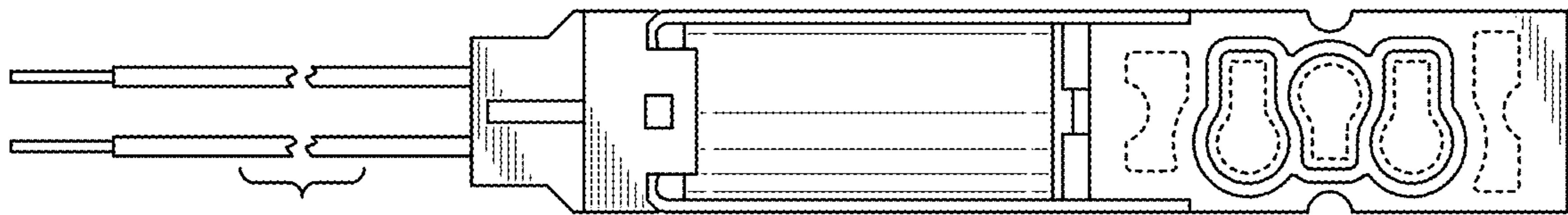


FIG. 7

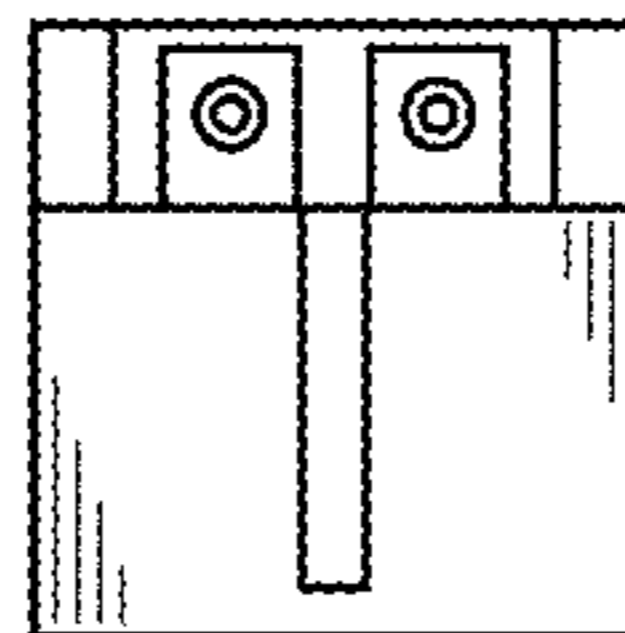


FIG. 8

