



US00D892978S

(12) **United States Design Patent**
Mikesch et al.

(10) **Patent No.:** **US D892,978 S**

(45) **Date of Patent:** **** Aug. 11, 2020**

(54) **VALVE**

(71) Applicant: **BITZER Kuehlmaschinenbau GmbH**,
Sindelfingen (DE)

(72) Inventors: **Lucas Mikesch**, Schmoelln (DE);
Frank Buettner, Leipzig (DE)

(73) Assignee: **BITZER Kuehlmaschinenbau GmbH**,
Sindelfingen (DE)

(**) Term: **15 Years**

(21) Appl. No.: **29/616,611**

(22) Filed: **Sep. 7, 2017**

(30) **Foreign Application Priority Data**

Mar. 10, 2017 (EM) 003792878

Mar. 10, 2017 (EM) 003792878-0001

(Continued)

(51) **LOC (12) Cl.** **23-01**

(52) **U.S. Cl.**
USPC **D23/233**

(58) **Field of Classification Search**
USPC D23/233-250; 251/129.15, 129.01;
137/487.5, 625.64, 12, 505, 613, 614,
(Continued)

(56) **References Cited**

U.S. PATENT DOCUMENTS

1,331,535 A * 2/1920 Smith F16K 27/00
137/596

D198,428 S * 6/1964 Nat D23/236

(Continued)

OTHER PUBLICATIONS

U.S. Appl. No. 29/539,144, filed Sep. 11, 2015, Christensen.

U.S. Appl. No. 29/599,787, filed Apr. 6, 2017, Loerch et al.

U.S. Appl. No. 29/618,442, filed Sep. 21, 2017, Mikulic et al.

Primary Examiner — Gino Colan

(74) *Attorney, Agent, or Firm* — Reinhart Boerner Van
Deuren P.C.

(57) **CLAIM**

We claim the ornamental design for a valve, as shown and
described.

DESCRIPTION

FIG. 1 is a bottom left perspective view of a first embodi-
ment of a valve showing our new design;

FIG. 2 is a front elevation view of the valve shown in FIG.
1, with the valve being illustrated in the closed position;

FIG. 3 is a rear elevation view of the valve shown in FIG.
1;

FIG. 4 is a left side elevation view of the valve shown in
FIG. 1;

FIG. 5 is a right side elevation view of the valve shown in
FIG. 1;

FIG. 6 is a top plan view of the valve shown in FIG. 1;

FIG. 7 is a bottom plan view of the valve shown in FIG. 1;

FIG. 8 is another front elevation view of FIG. 1, with the
valve being illustrated in the open position;

FIG. 9 is a bottom left perspective view of a second
embodiment of a valve showing our new design.

FIG. 10 is a front elevation view of the valve shown in FIG.
9, with the valve being illustrated in the closed position;

FIG. 11 is a rear elevation view of the valve shown in FIG.
9;

FIG. 12 is a left side elevation view of the valve shown in
FIG. 9;

FIG. 13 is a right side elevation view of the valve shown in
FIG. 9;

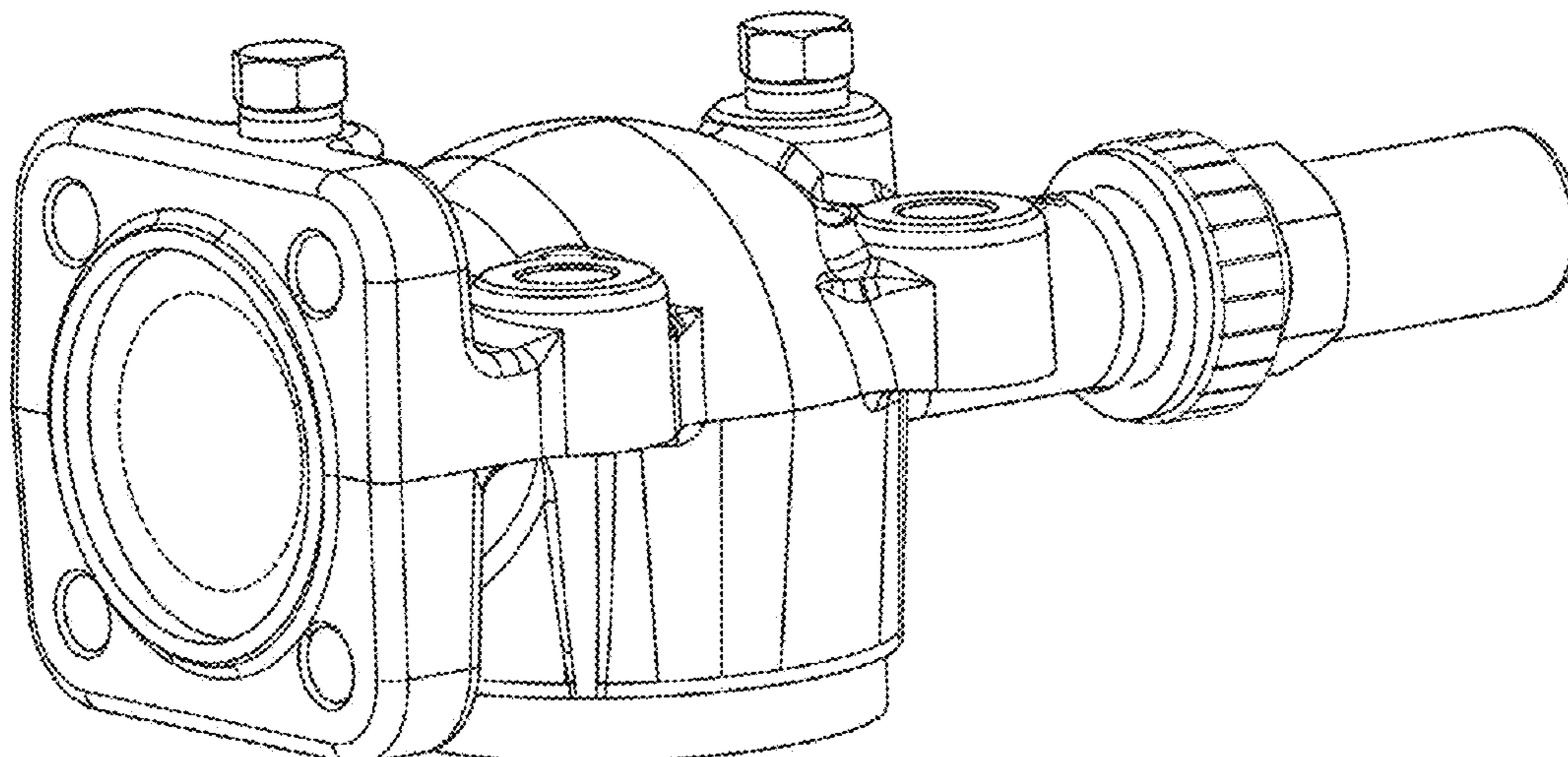
FIG. 14 is a top plan view of the valve shown in FIG. 9;

FIG. 15 is a bottom plan view of the valve shown in FIG. 9;
and,

FIG. 16 is the same front view of the valve as shown in FIG.
10, with the valve being illustrated in the open position.

The broken lines shown in the figures are included for the
purpose of illustrating portions of the valve which form no
part of the claimed design.

1 Claim, 16 Drawing Sheets



(30) **Foreign Application Priority Data**

Mar. 10, 2017 (EM) 003792878-0002
 Mar. 10, 2017 (EM) 003792878-0003
 Mar. 10, 2017 (EM) 003792878-0004
 Mar. 10, 2017 (EM) 003792878-0005
 Mar. 10, 2017 (EM) 003792878-0006
 Mar. 10, 2017 (EM) 003792878-0007
 Mar. 10, 2017 (EM) 003792878-0008

D467,254 S * 12/2002 Ullrich D15/9
 D531,194 S 10/2006 Hertenstein et al.
 D538,826 S 3/2007 Kienzle
 D595,748 S 7/2009 Kratschmer
 D684,197 S 6/2013 Kienzle et al.
 D690,324 S 9/2013 Kienzle et al.
 D709,524 S 7/2014 Ohser et al.
 D717,344 S 11/2014 Ohser et al.
 D732,641 S * 6/2015 Hermann D23/233
 D733,764 S 7/2015 Ohser
 D745,896 S 12/2015 Ohser et al.
 D761,326 S 7/2016 Kienzle et al.
 D763,323 S 8/2016 Mikulic
 D770,538 S * 11/2016 Li D15/9
 D777,213 S 1/2017 Ohser
 D777,794 S 1/2017 Wipper et al.
 D840,438 S * 2/2019 Mikulic D15/9

(58) **Field of Classification Search**

USPC 137/15.18, 505.37, 596; D15/9; 62/115,
 62/498, 401, 508
 CPC F16K 31/0675; F16K 27/048
 See application file for complete search history.

(56) **References Cited**

U.S. PATENT DOCUMENTS

D394,068 S * 5/1998 Pollrich D15/9 * cited by examiner

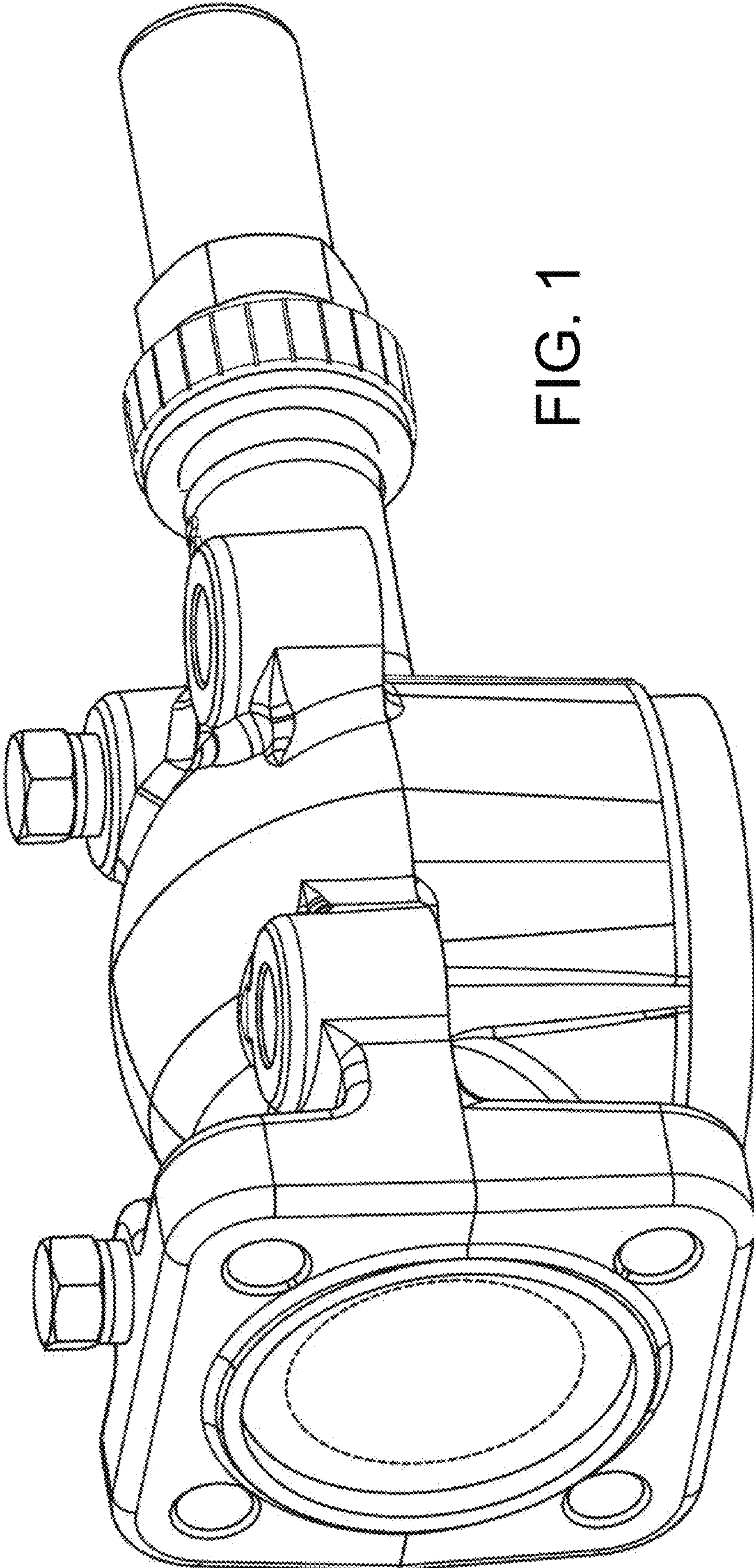


FIG. 1

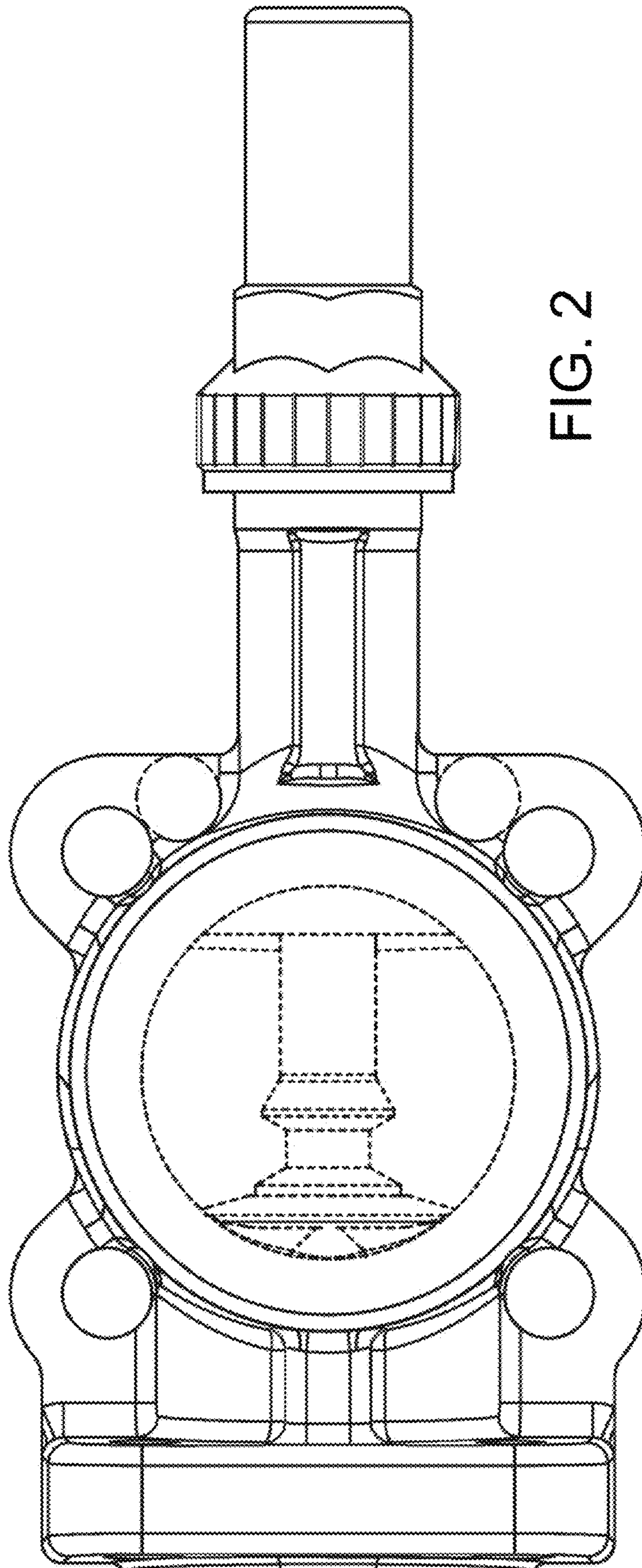


FIG. 2

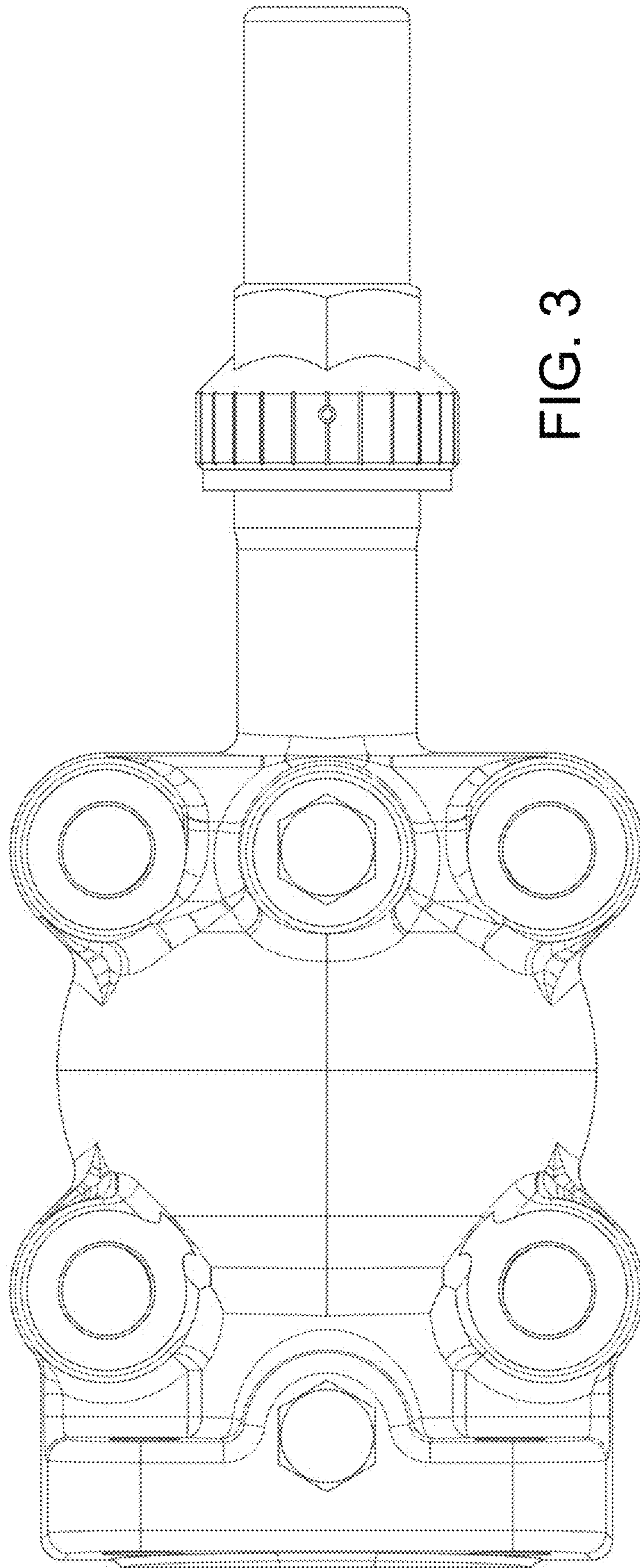


FIG. 3

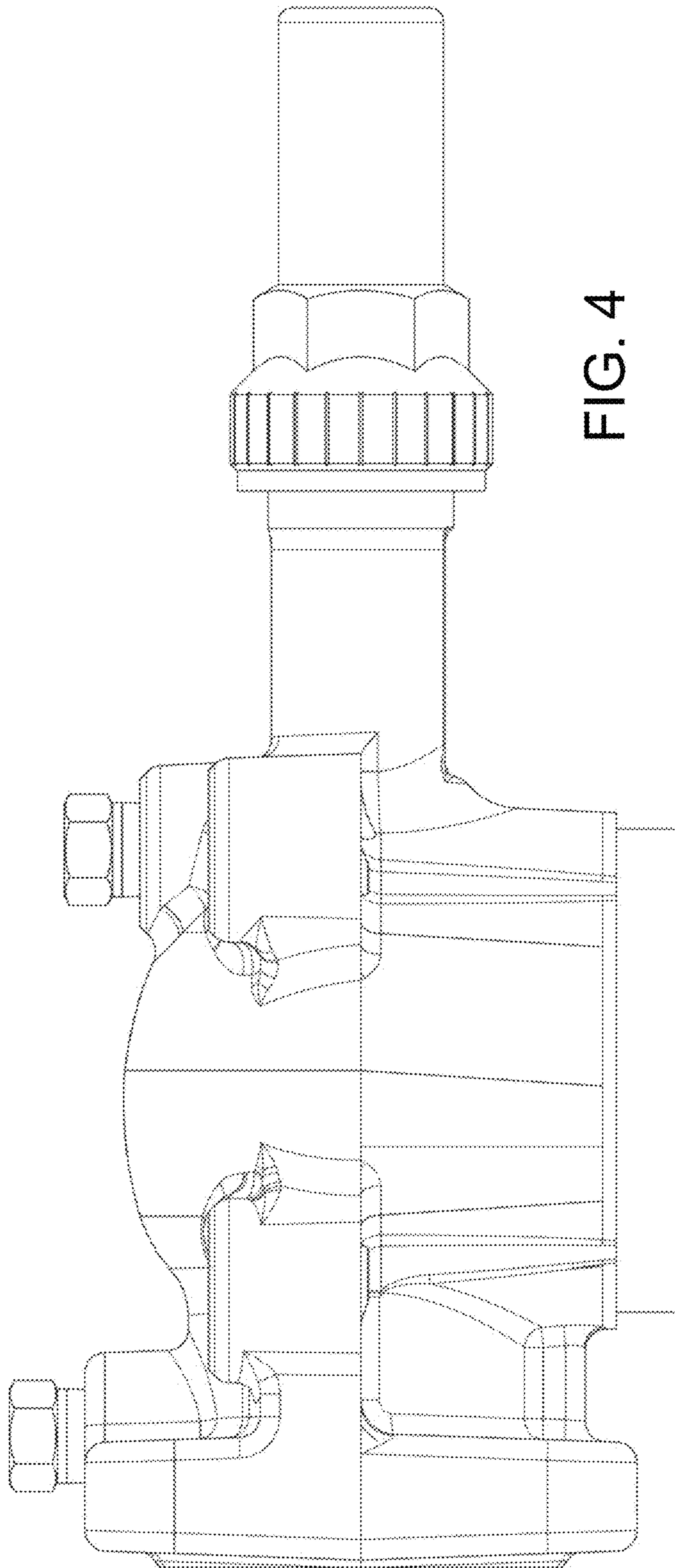


FIG. 4

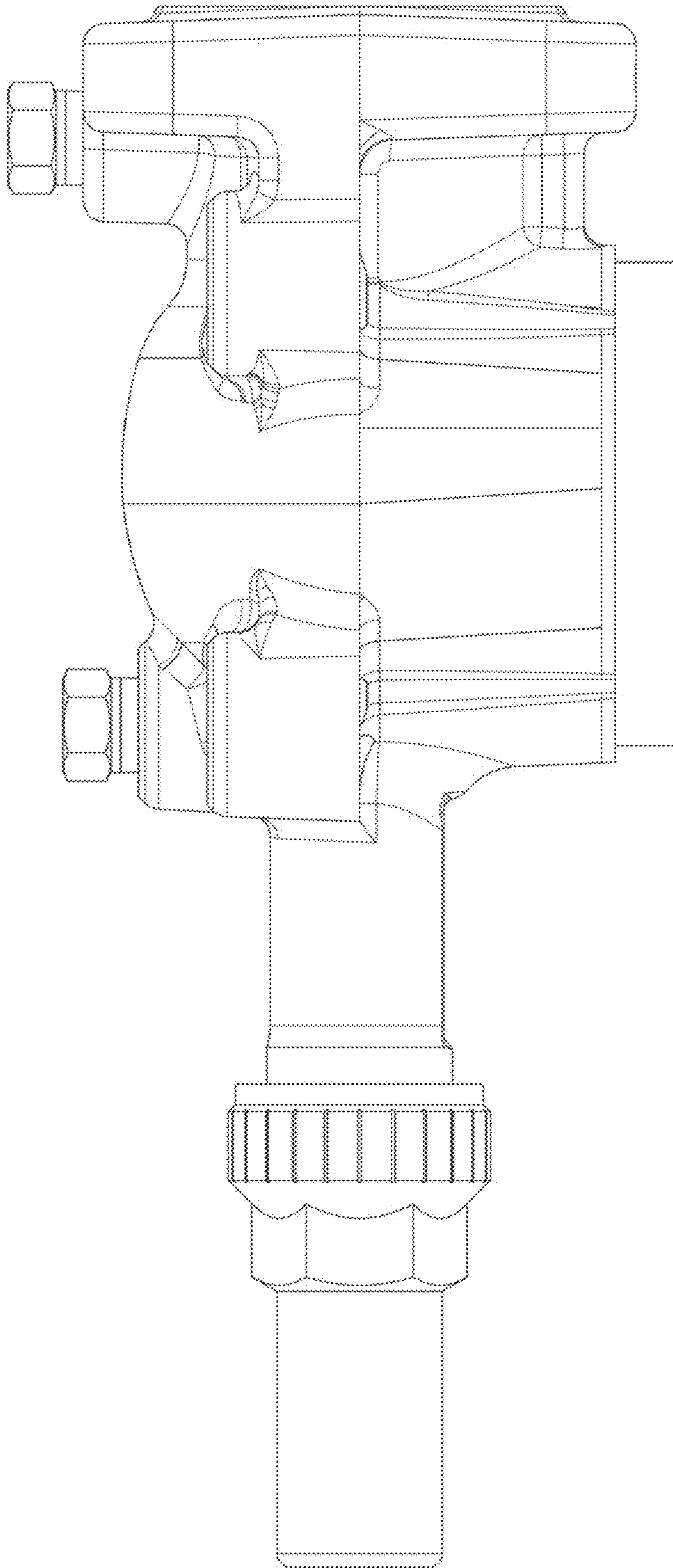


FIG. 5

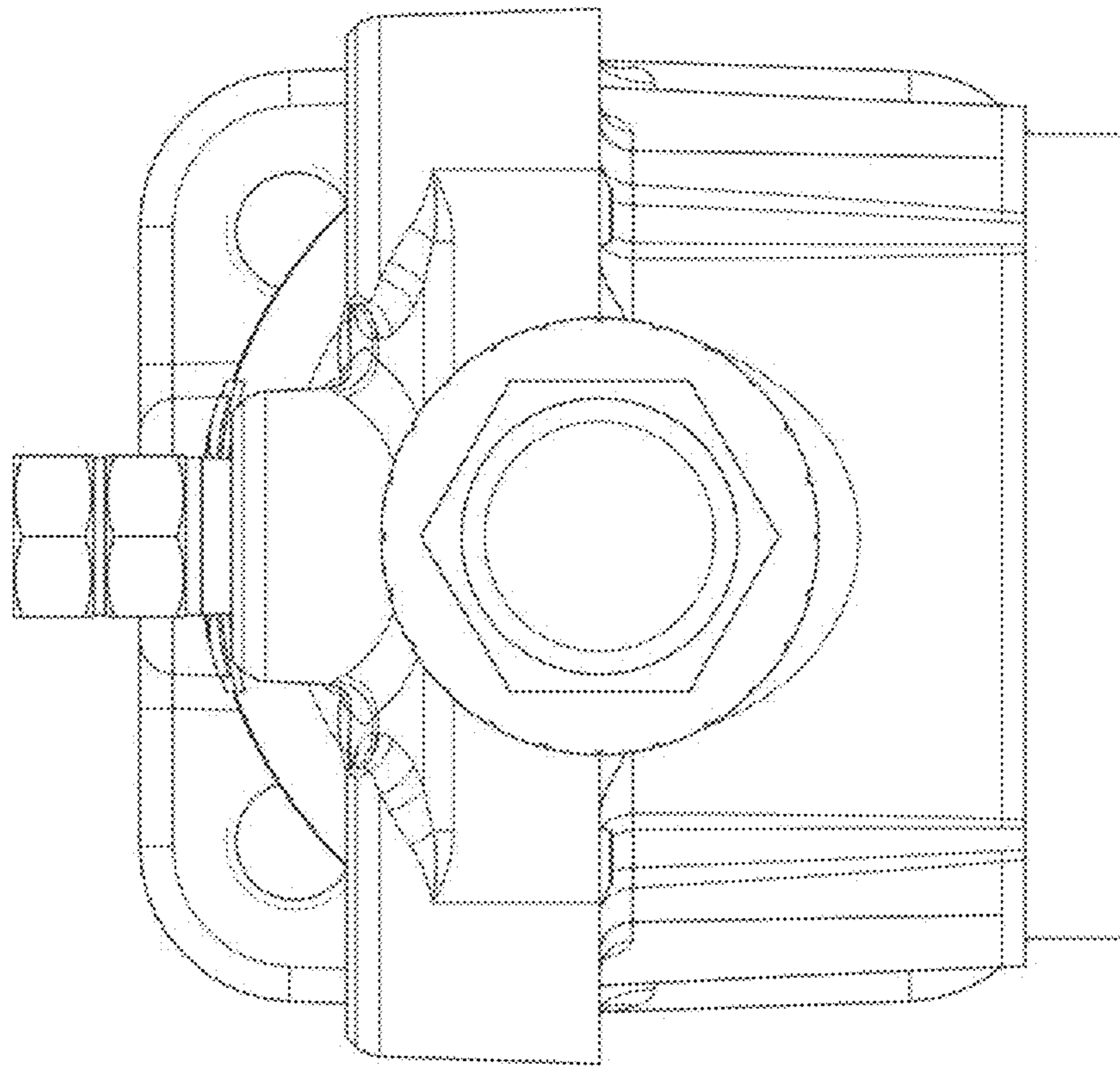


FIG. 6

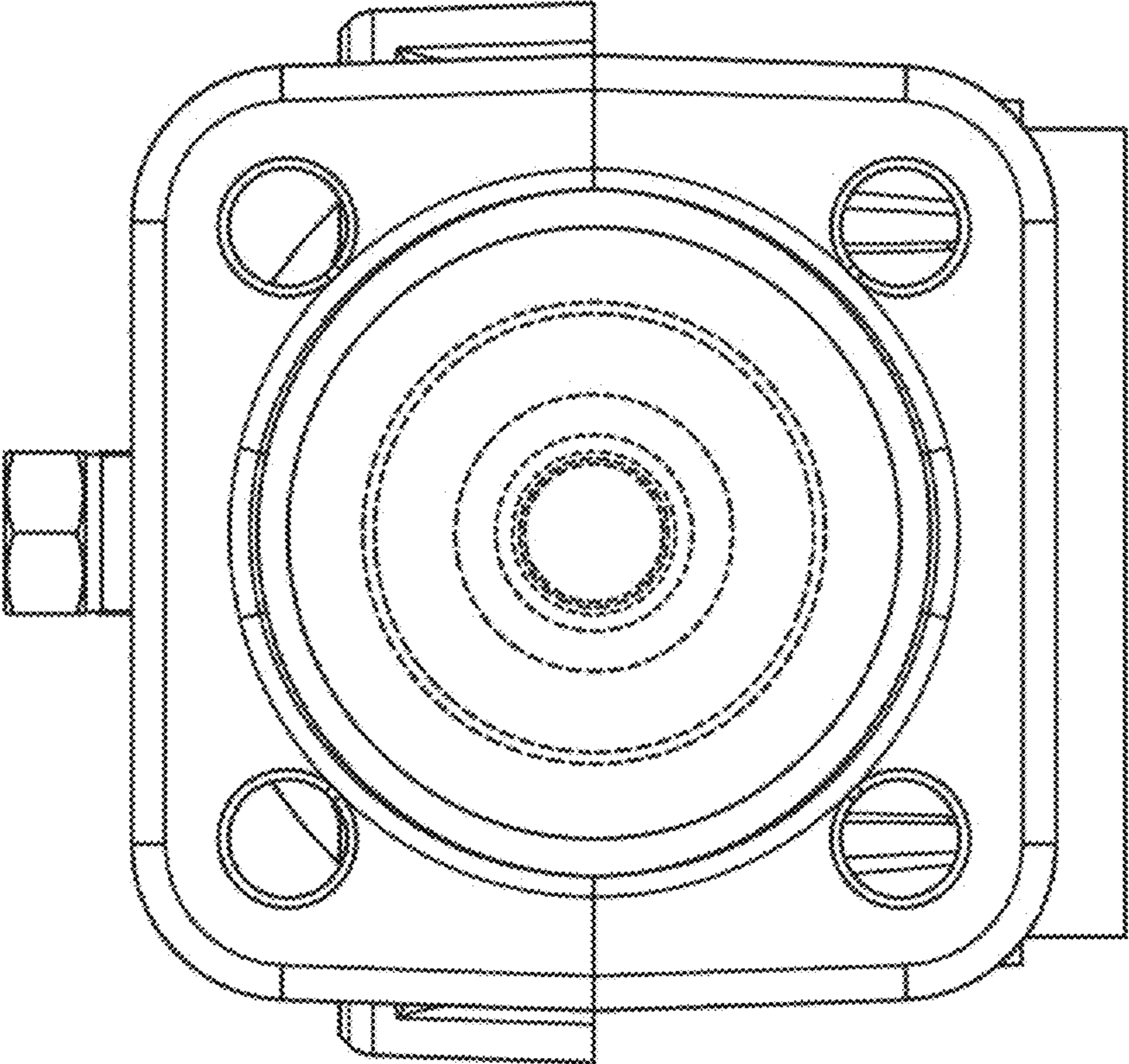


FIG. 7

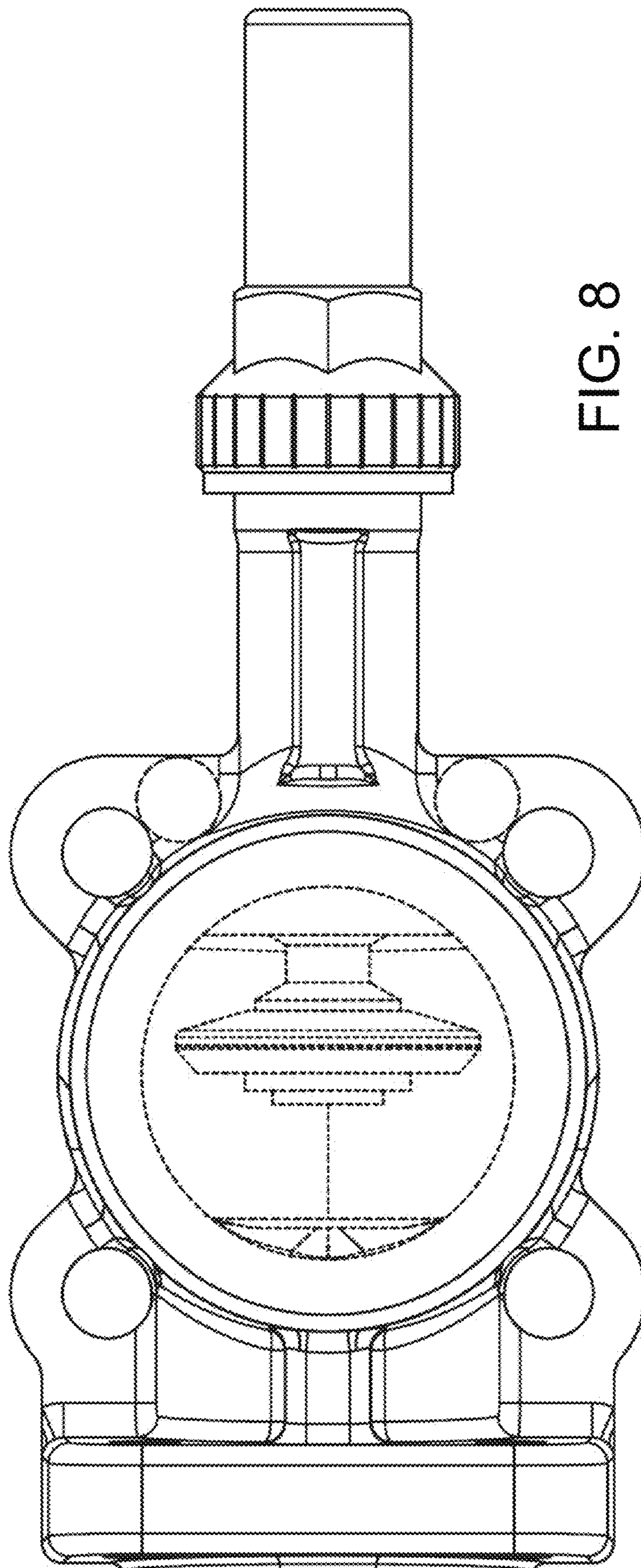


FIG. 8



FIG. 9

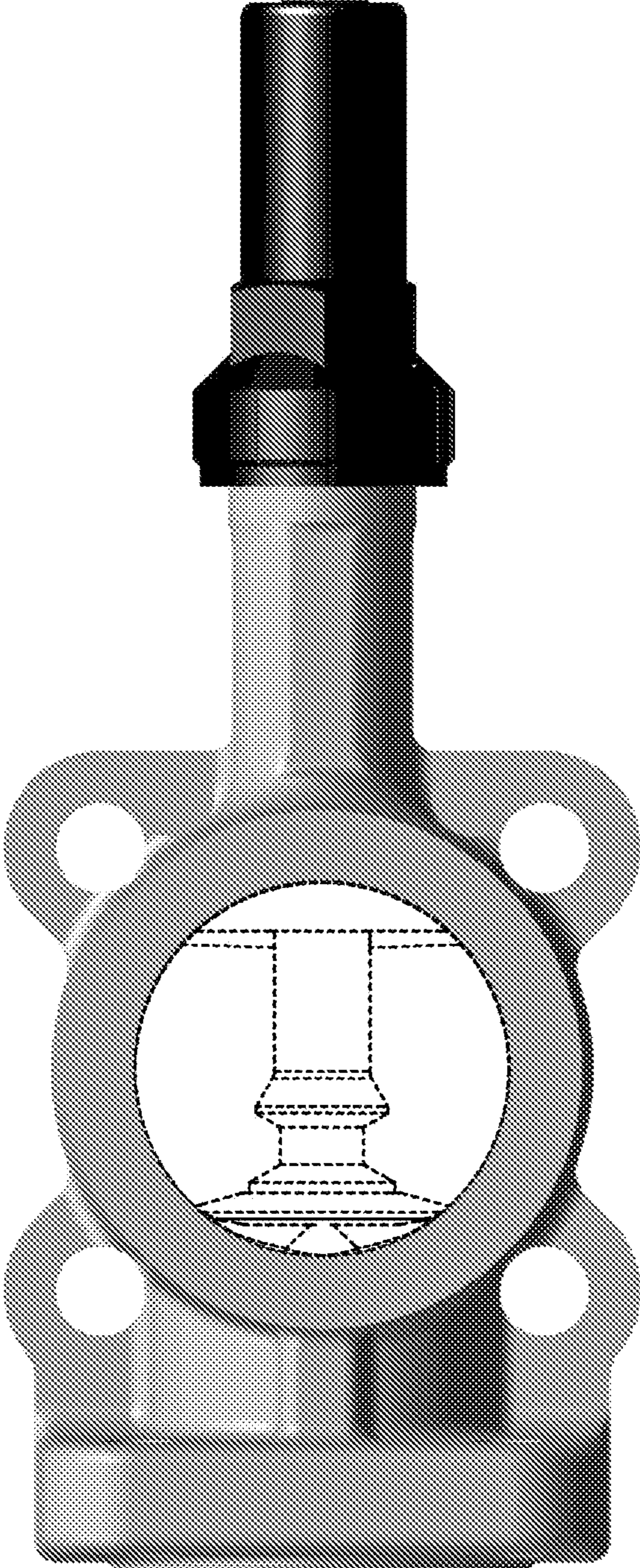


FIG. 10



FIG. 11

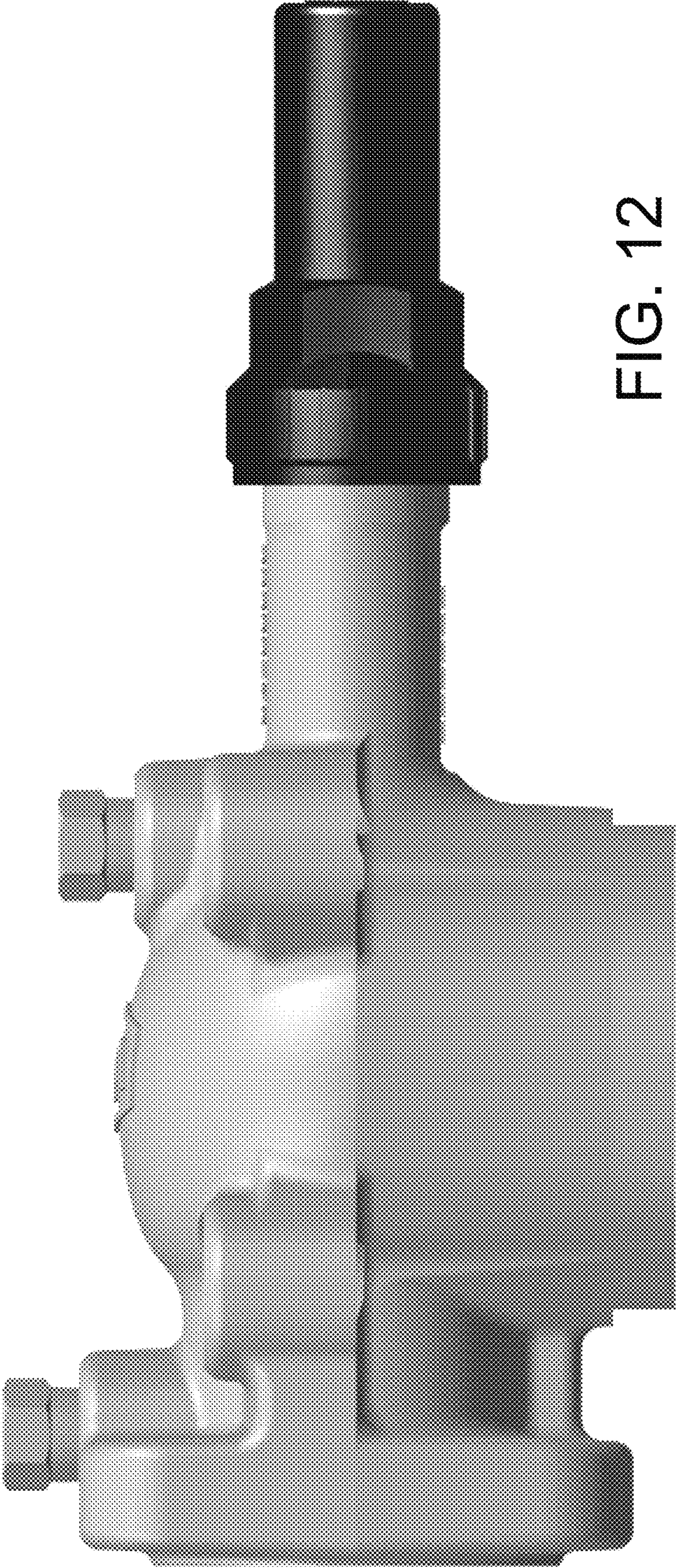


FIG. 12

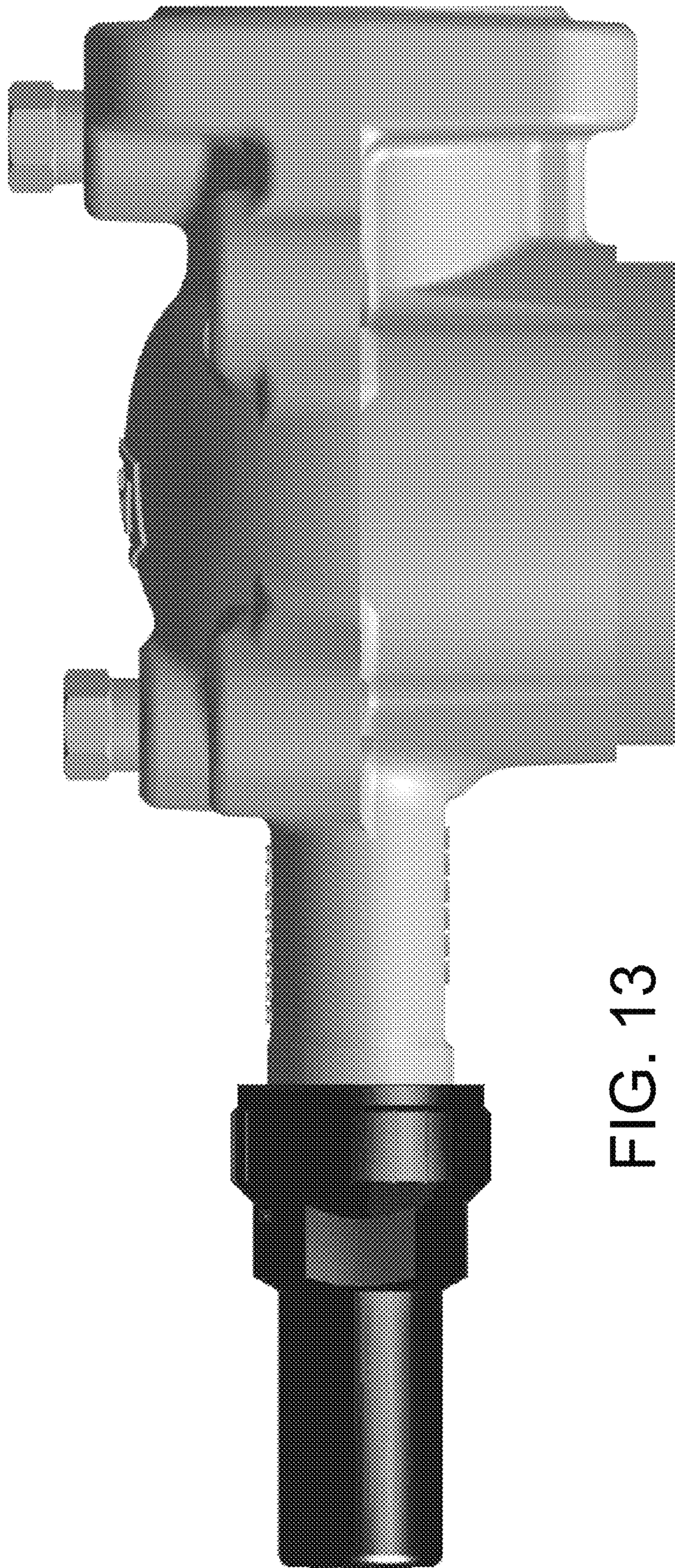


FIG. 13

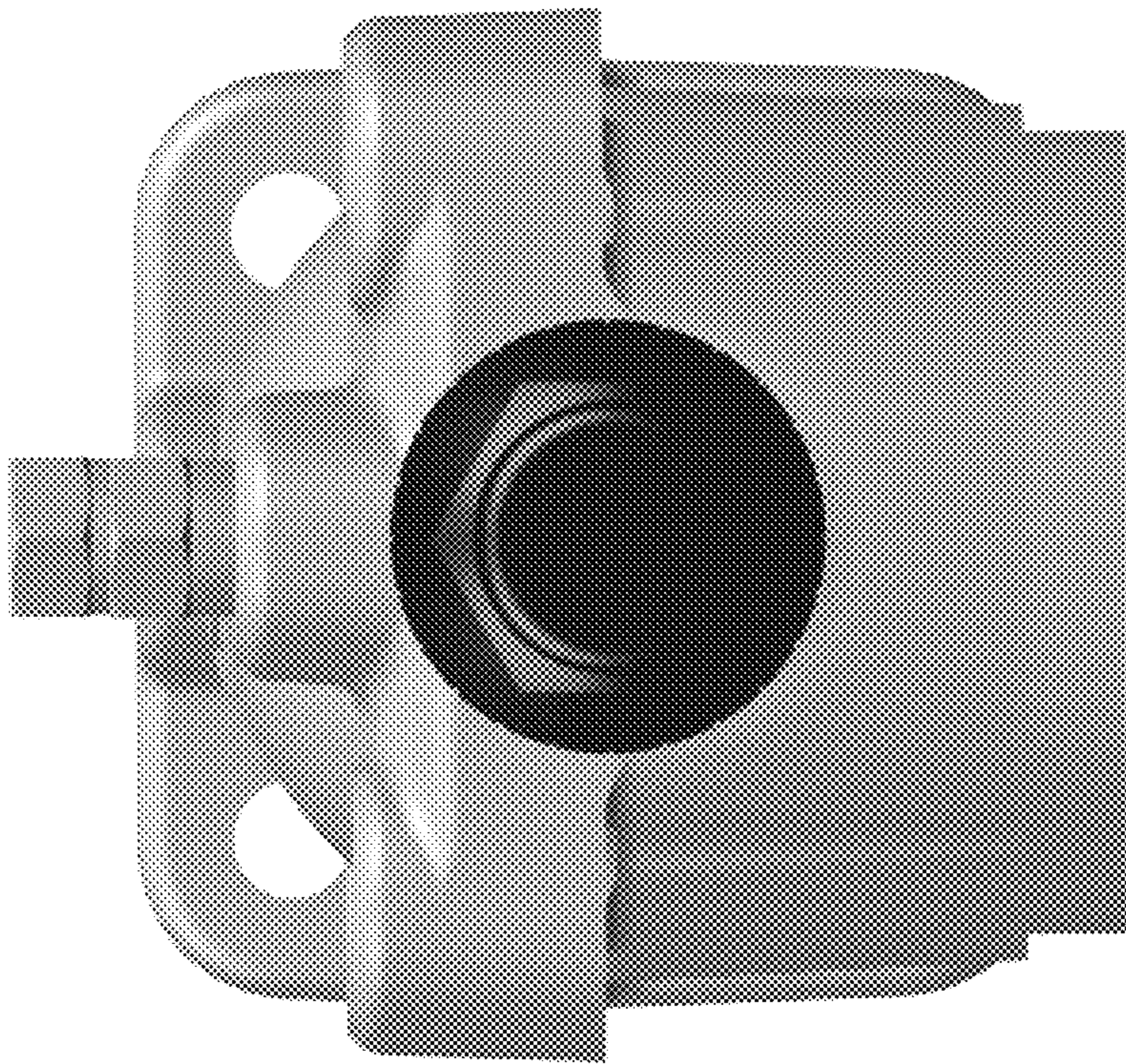


FIG. 14

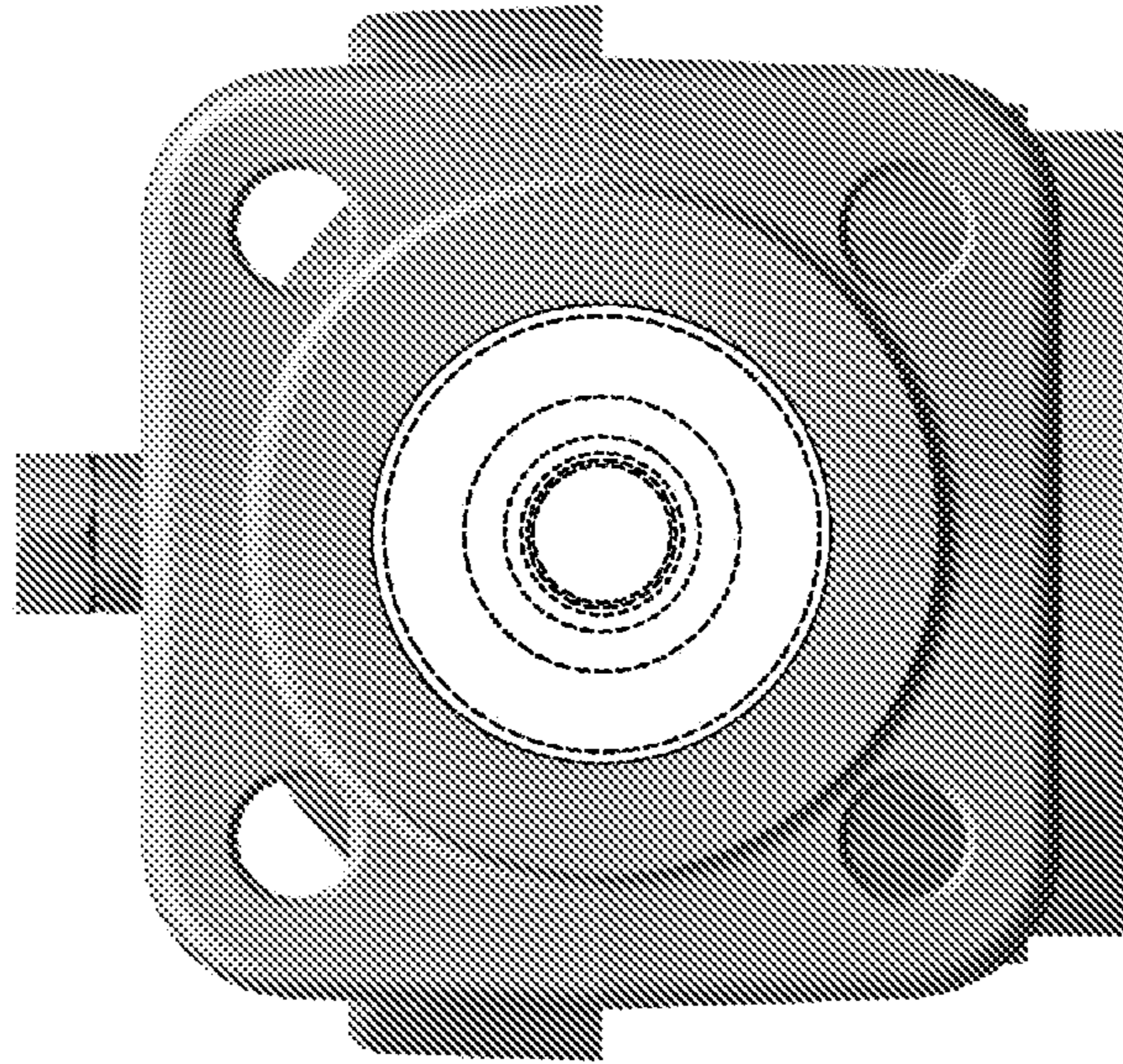


FIG. 15

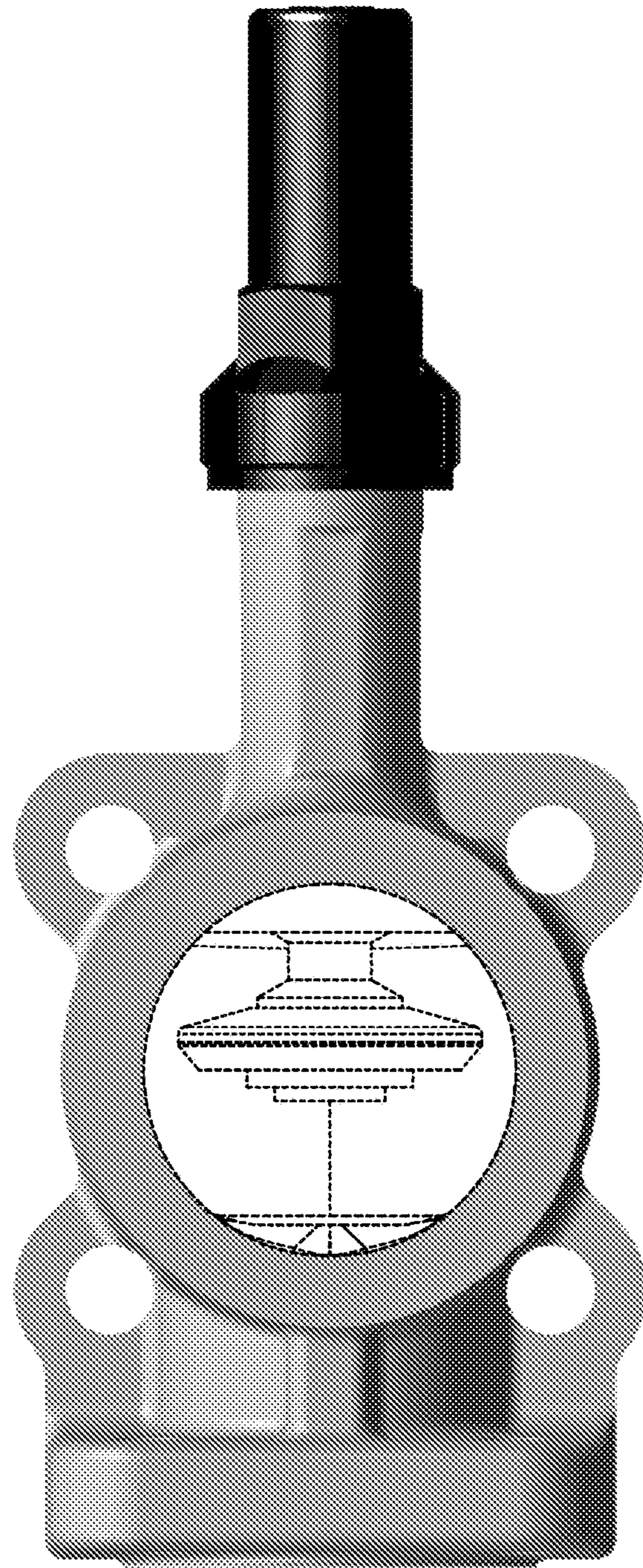


FIG. 16