



US00D892976S

(12) **United States Design Patent**
Zhang

(10) **Patent No.:** **US D892,976 S**

(45) **Date of Patent:** **** Aug. 11, 2020**

(54) **SPRAY HEAD**

(71) Applicant: **CIXI STORM SHOWERS CO., LTD.**, Ningbo, Zhejiang Province (CN)

(72) Inventor: **Jinwei Zhang**, Ningbo (CN)

(73) Assignee: **CIXI STORM SHOWERS CO., LTD.**, Ningbo (CN)

(**) Term: **15 Years**

(21) Appl. No.: **29/688,277**

(22) Filed: **Apr. 19, 2019**

(30) **Foreign Application Priority Data**

Jan. 24, 2019 (CN) 2019 3 0040592

(51) **LOC (12) Cl.** **23-01**

(52) **U.S. Cl.**
USPC **D23/223; D23/213**

(58) **Field of Classification Search**
USPC D23/213, 214, 215, 223, 224, 226, 229,
D23/230

CPC A61H 9/0021; A61H 33/00; B05B 1/00;
B05B 1/14; B05B 1/185; B05B 1/08;
B05B 1/02; B05B 1/26; B05B 12/002;
B05B 1/18; B05B 9/01

See application file for complete search history.

(56) **References Cited**

U.S. PATENT DOCUMENTS

D487,498 S *	3/2004	Blomstrom	D23/213
D508,730 S *	8/2005	Blomstrom	D23/229
D524,412 S *	7/2006	Blomstrom	D23/229
D680,619 S *	4/2013	Zhadanov	D23/223
D681,776 S *	5/2013	Cutler	D23/223
D694,357 S *	11/2013	Brodey	D23/213
D694,359 S *	11/2013	Schoenherr	D23/213
D707,330 S *	6/2014	Schoenherr	D23/223
D713,004 S *	9/2014	Schoenherr	D23/223

D713,496 S *	9/2014	Schoenherr	D23/213
D718,418 S *	11/2014	Georgeson	D23/213
D730,493 S *	5/2015	Sehl	D23/261
D733,258 S *	6/2015	Sandee	D23/223
D737,931 S *	9/2015	Schoenherr	D23/223
D737,932 S *	9/2015	Nikles	D23/223
D743,507 S *	11/2015	Georgeson	D23/252
D746,955 S *	1/2016	Corder	D23/261
D752,711 S *	3/2016	Georgeson	D23/213
9,387,495 B2 *	7/2016	Schumacher	B05B 1/30
D778,404 S *	2/2017	Schoenherr	D23/223
D779,038 S *	2/2017	Hanna	D23/223
D779,039 S *	2/2017	Hanna	D23/223
D801,475 S *	10/2017	Naslund	D23/213

(Continued)

OTHER PUBLICATIONS

<https://www.amazon.com/Luxsego-Showerhead-Stainless-Adjustable-Experience/> (Year: 2019).*

Primary Examiner — Manpreet S Matharu

Assistant Examiner — Keith J Wilson

(74) *Attorney, Agent, or Firm* — Jiwen Chen; Jacobson Holman PLLC

(57) **CLAIM**

The ornamental design for the spray head, as shown and described.

DESCRIPTION

FIG. 1 is a front perspective view of the spray head showing the design;

FIG. 2 is a front elevational view of thereof;

FIG. 3 is a rear elevational view thereof;

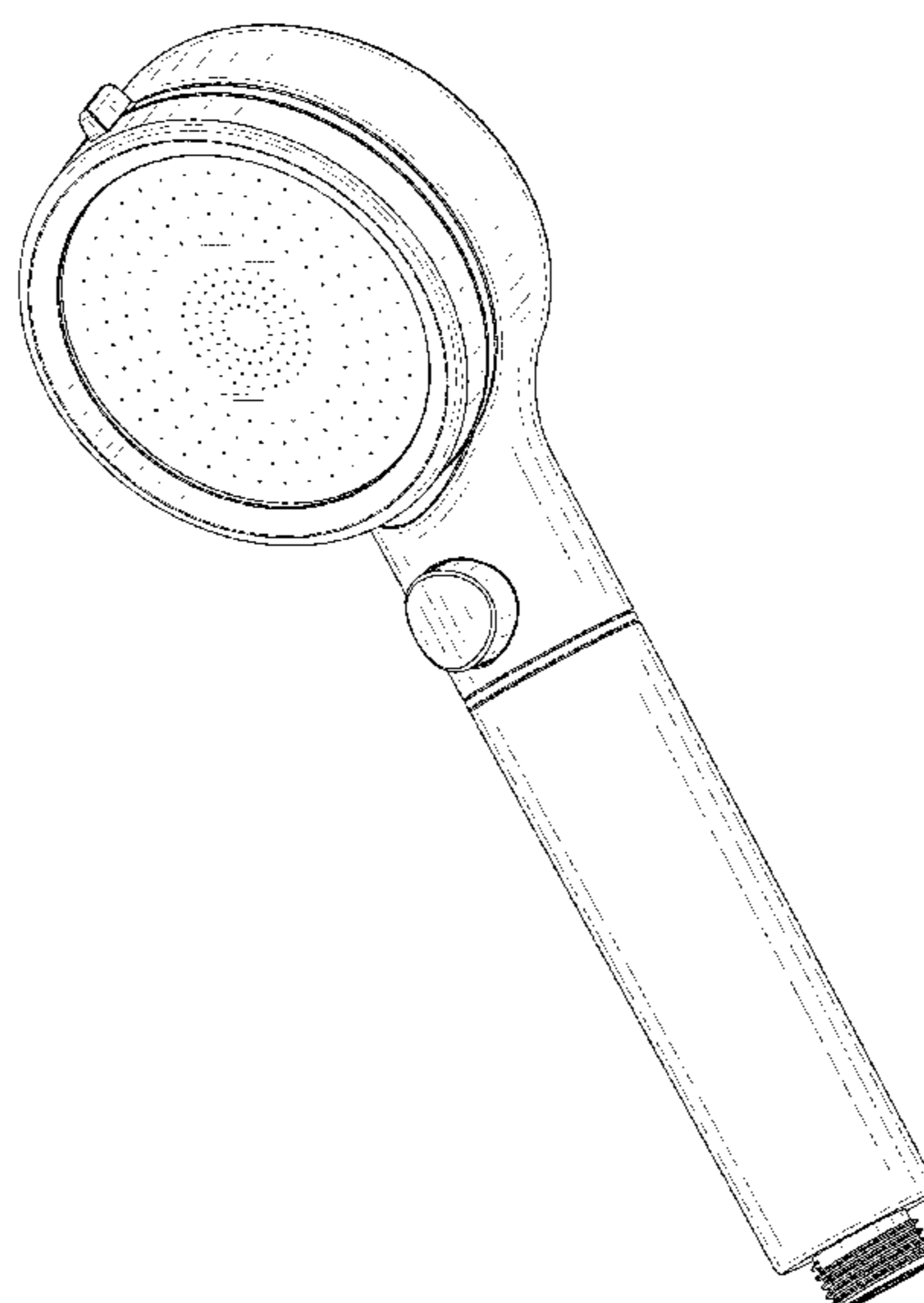
FIG. 4 is a right elevational view thereof;

FIG. 5 is a left elevational view thereof;

FIG. 6 is a top plan view thereof; and,

FIG. 7 is a bottom plan view thereof, the broken line portions represent portions of a spray head and form no part of the claimed design.

1 Claim, 6 Drawing Sheets



(56)

References Cited

U.S. PATENT DOCUMENTS

D803,350	S	*	11/2017	Tian	D23/213
D808,499	S	*	1/2018	Naslund	D23/213
D809,094	S	*	1/2018	Naslund	D23/213
D810,233	S	*	2/2018	Winter	D23/213
D810,861	S	*	2/2018	Weaver	D23/213
D811,524	S	*	2/2018	Bossini	D23/223
D820,388	S	*	6/2018	Seum	D23/213
D820,949	S	*	6/2018	Reinecker	D23/213
D821,542	S	*	6/2018	Reinecker	D23/213
D824,485	S	*	7/2018	Montoya	D23/213
D833,575	S	*	11/2018	Soulier	D23/223
D839,384	S	*	1/2019	Svendsen	D23/213
D840,503	S	*	2/2019	Stein	D23/213
D841,121	S	*	2/2019	Kiefer	D23/213
D841,125	S	*	2/2019	Lai	D23/223
D842,429	S	*	3/2019	Huang	D23/213
D842,430	S	*	3/2019	Huang	D23/213
D842,431	S	*	3/2019	Cacka	D23/213
D842,967	S	*	3/2019	Farley	D23/213

* cited by examiner

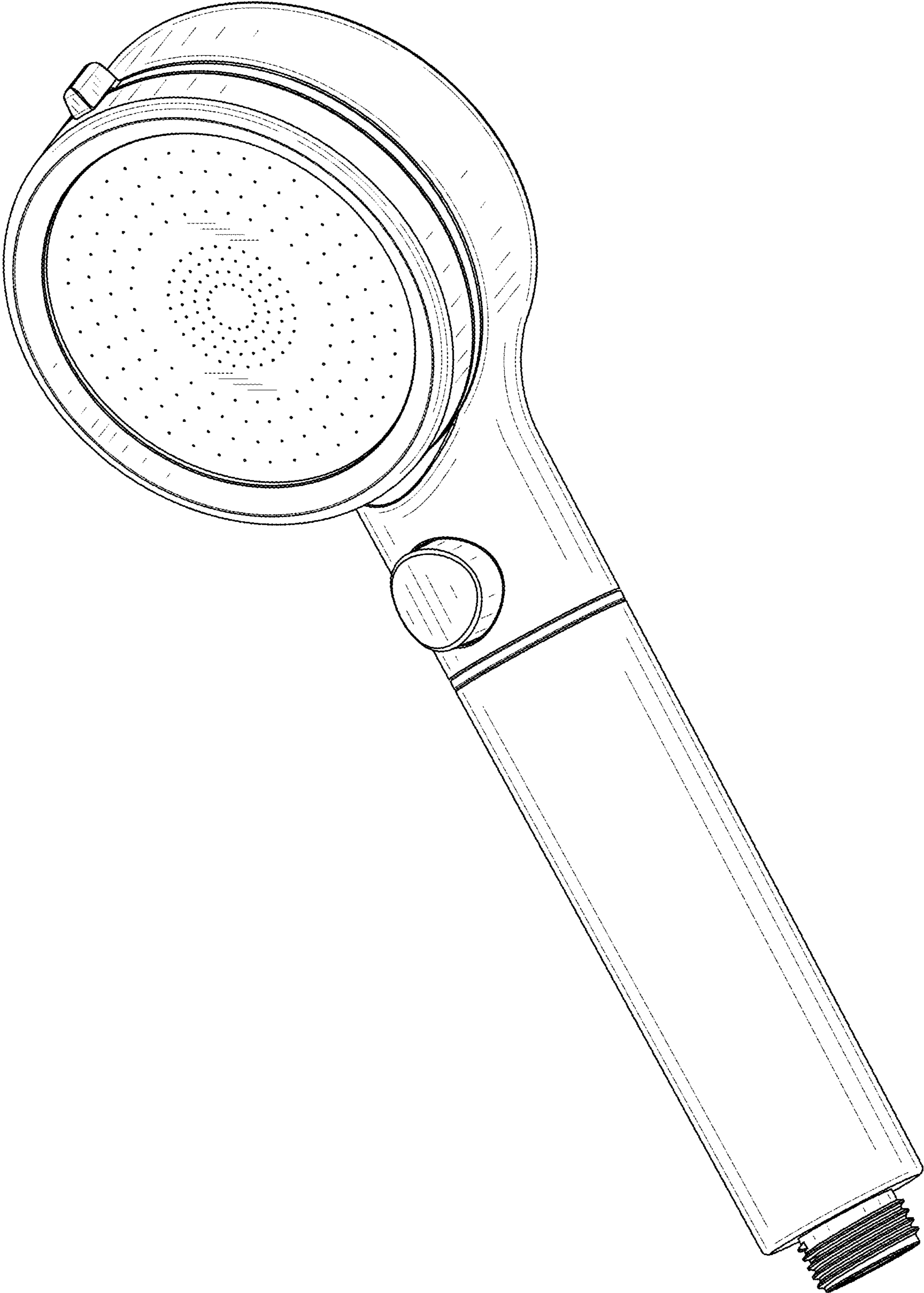


FIG. 1

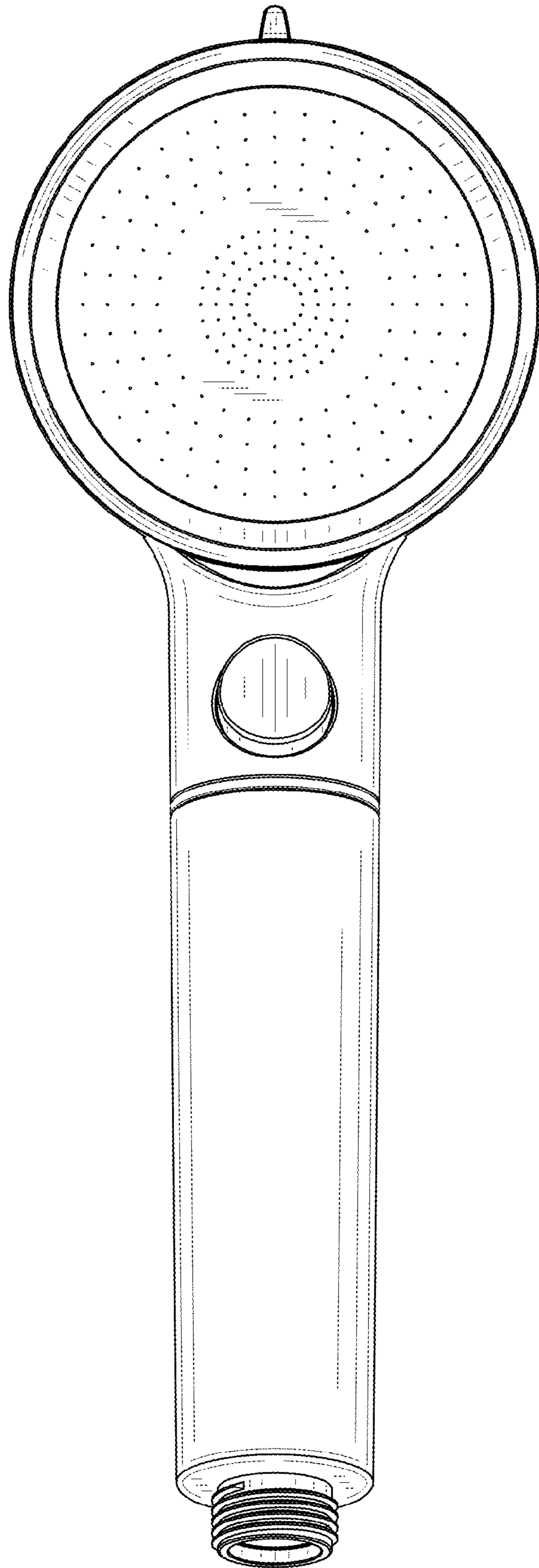


FIG. 2

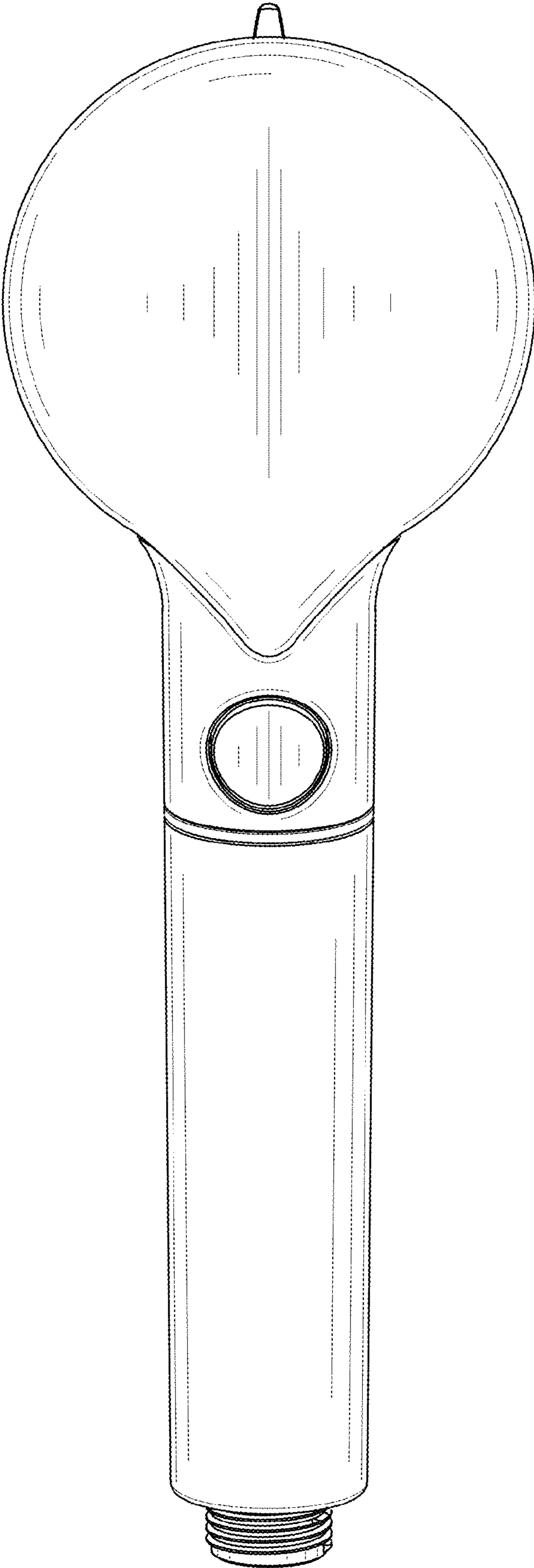


FIG. 3

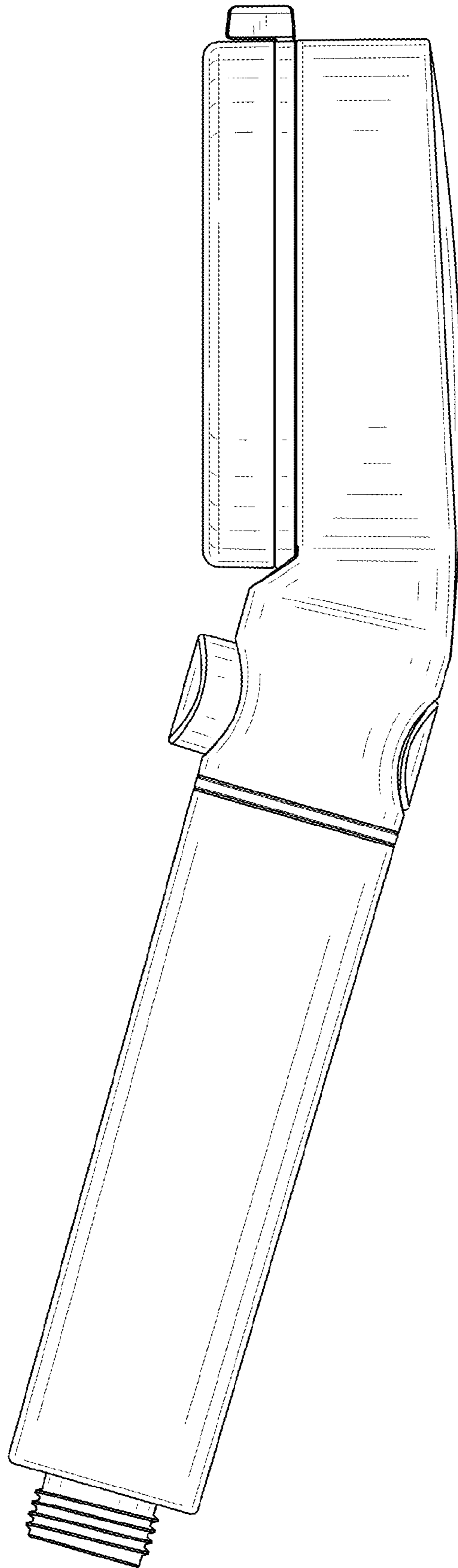


FIG. 4

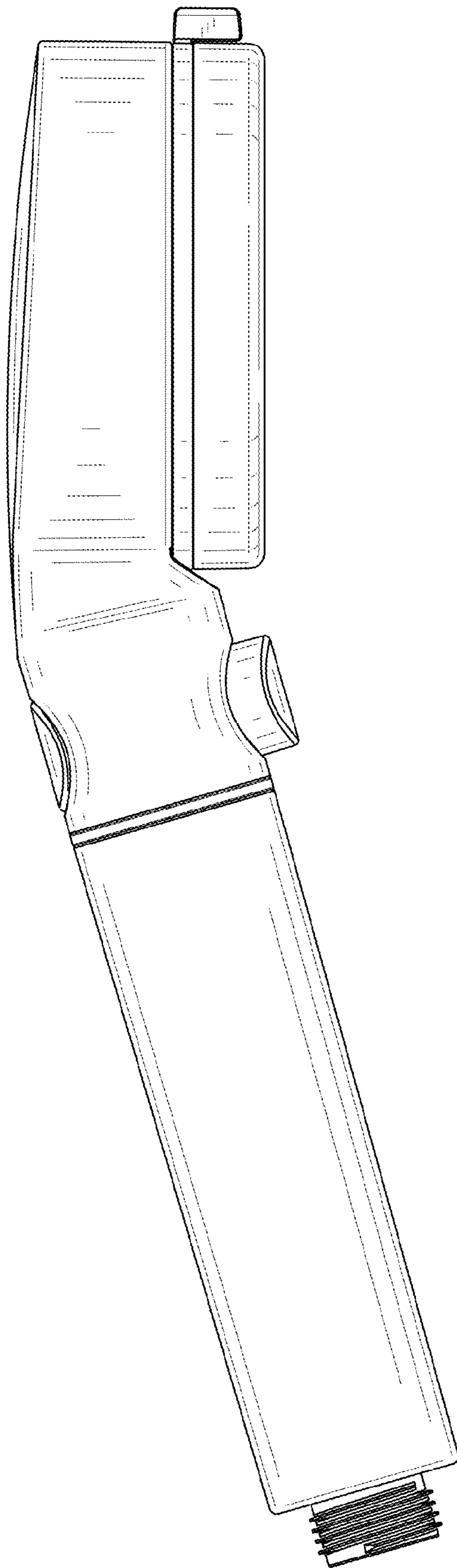


FIG. 5

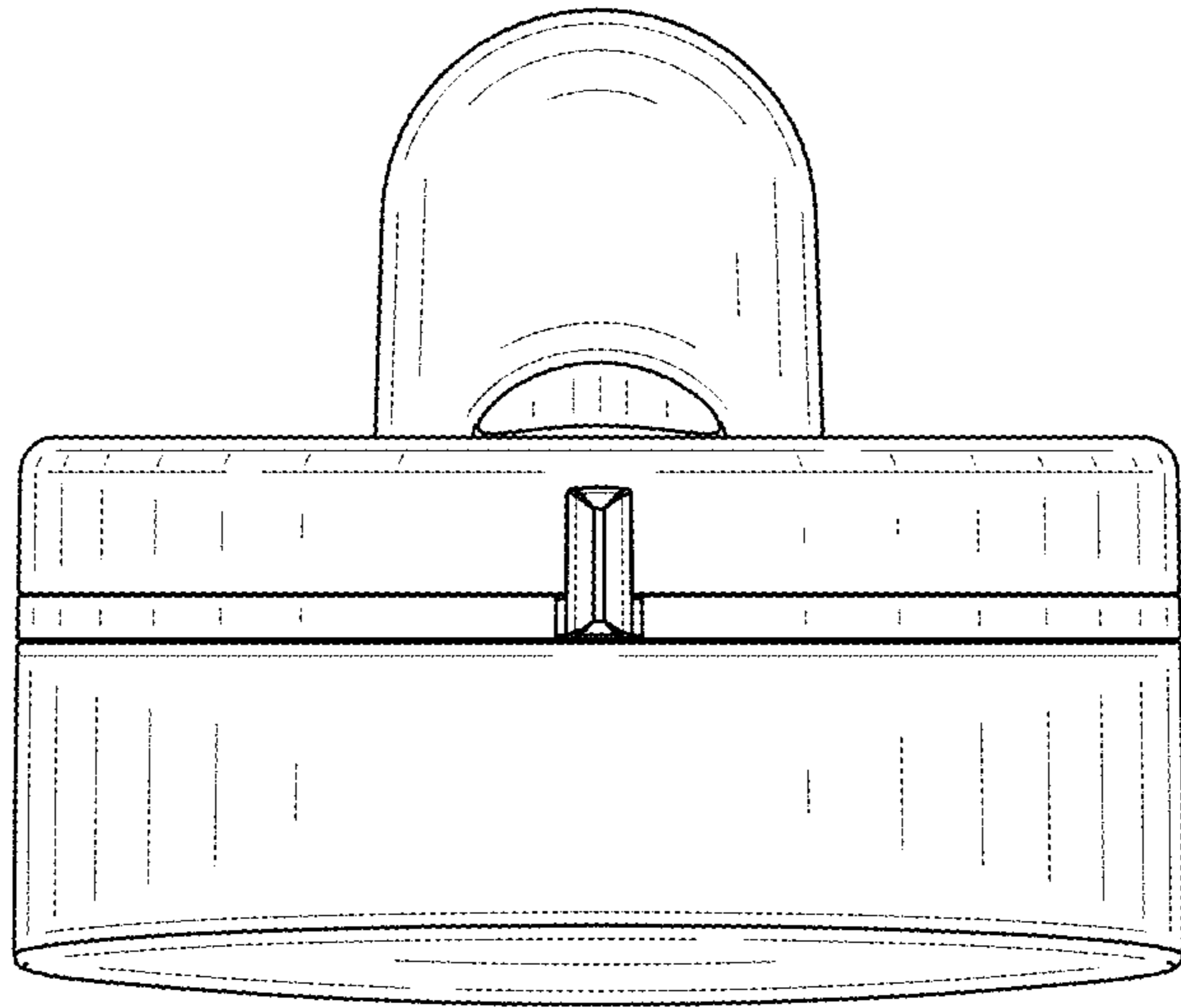


FIG. 6

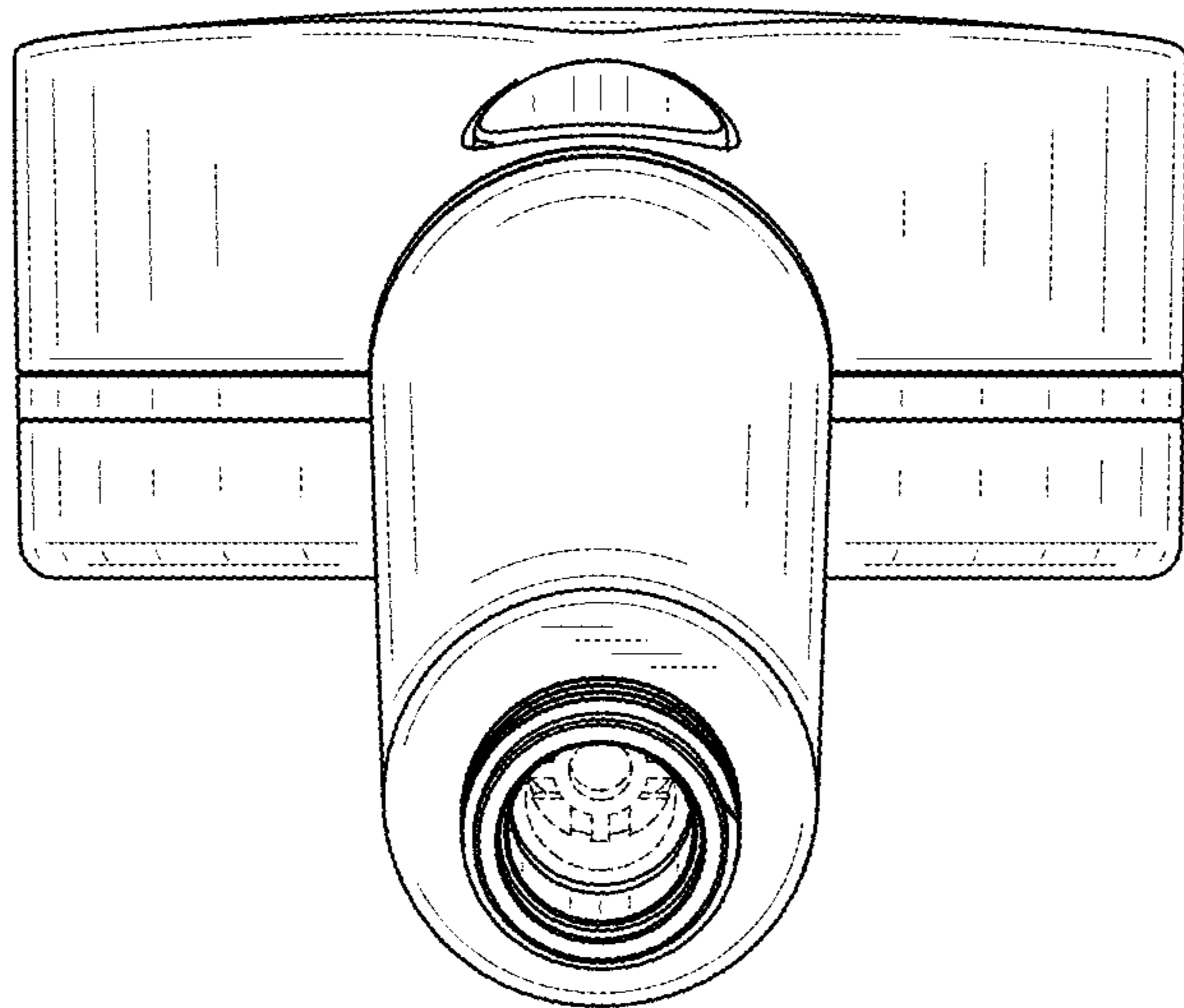


FIG. 7