

US00D892974S

(12) **United States Design Patent** (10) **Patent No.:** **US D892,974 S**
Allen et al. (45) **Date of Patent:** **** Aug. 11, 2020**

- (54) **FILTER CARTRIDGE**
- (71) Applicant: **Avidity Science, LLC**, Waterford, WI (US)
- (72) Inventors: **Jeremy Allen**, Ingatestone (GB); **Dietmar Steudten**, Oststeinbek (DE)
- (73) Assignee: **Avidity Science, LLC**, Waterford, WI (US)
- (**) Term: **15 Years**
- (21) Appl. No.: **29/669,320**
- (22) Filed: **Nov. 7, 2018**
- (51) **LOC (12) Cl.** **23-01**
- (52) **U.S. Cl.**
USPC **D23/209**
- (58) **Field of Classification Search**
USPC D23/209, 358, 355, 364, 365, 386–393
CPC F24F 13/0218; F24F 13/06; F24F 13/062; F24F 2013/0608; F24F 2221/14; B64D 33/02; B64D 2033/0246; F02C 7/05
See application file for complete search history.

- D539,406 S * 3/2007 Wang D23/364
D600,775 S * 9/2009 Schmitt D23/209
D755,344 S * 5/2016 Reckin B01D 27/08
D23/209
9,789,424 B2 * 10/2017 Reckin B01D 27/08
D827,771 S * 9/2018 Zhao D23/209
D852,347 S * 6/2019 Cunningham D23/366
D867,568 S * 11/2019 Gleixner C02F 1/003
D23/365

* cited by examiner

Primary Examiner — Sheryl Lane
Assistant Examiner — Calvin E Vansant
(74) *Attorney, Agent, or Firm* — Boyle Fredrickson S.C.

(57) **CLAIM**

The ornamental design for a filter cartridge, as shown and described.

DESCRIPTION

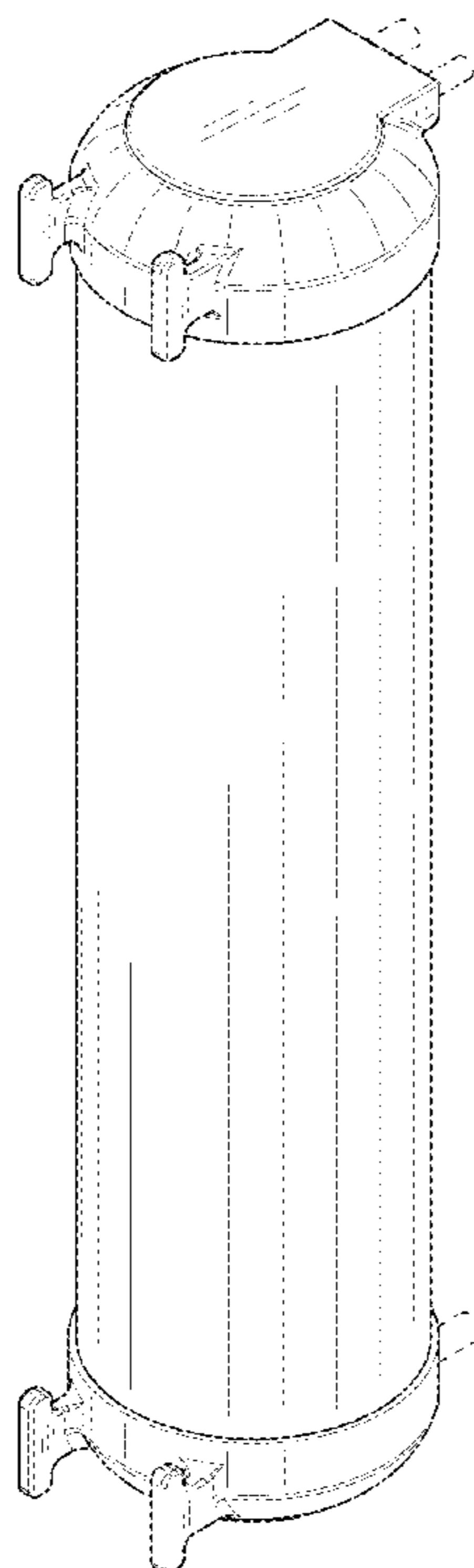
FIG. 1 is an isometric view of a filter cartridge incorporating our new design, viewed from above, behind, and from the left side of the filter cartridge;
FIG. 2 is an isometric view of the filter cartridge of FIG. 1, viewed from above, in front of, and from the right side of the filter cartridge;
FIG. 3 is a left-side elevation view thereof;
FIG. 4 is a right-side elevation view thereof;
FIG. 5 is a front elevation view thereof;
FIG. 6 is a rear elevation view thereof;
FIG. 7 is a top plan view thereof; and,
FIG. 8 is a bottom plan view thereof.
The broken lines in FIGS. 1-8 show unclaimed portions of the filter cartridge and form no part of the claimed design.

1 Claim, 8 Drawing Sheets

(56) **References Cited**

U.S. PATENT DOCUMENTS

- 4,368,123 A * 1/1983 Stanley C02F 1/003
210/269
D309,492 S * 7/1990 Boehnke D23/209
D316,740 S * 5/1991 Kopf D23/209
D357,058 S * 4/1995 Engelhard D23/207
D393,705 S * 4/1998 Dure D23/365
D416,307 S * 11/1999 Williams D23/209



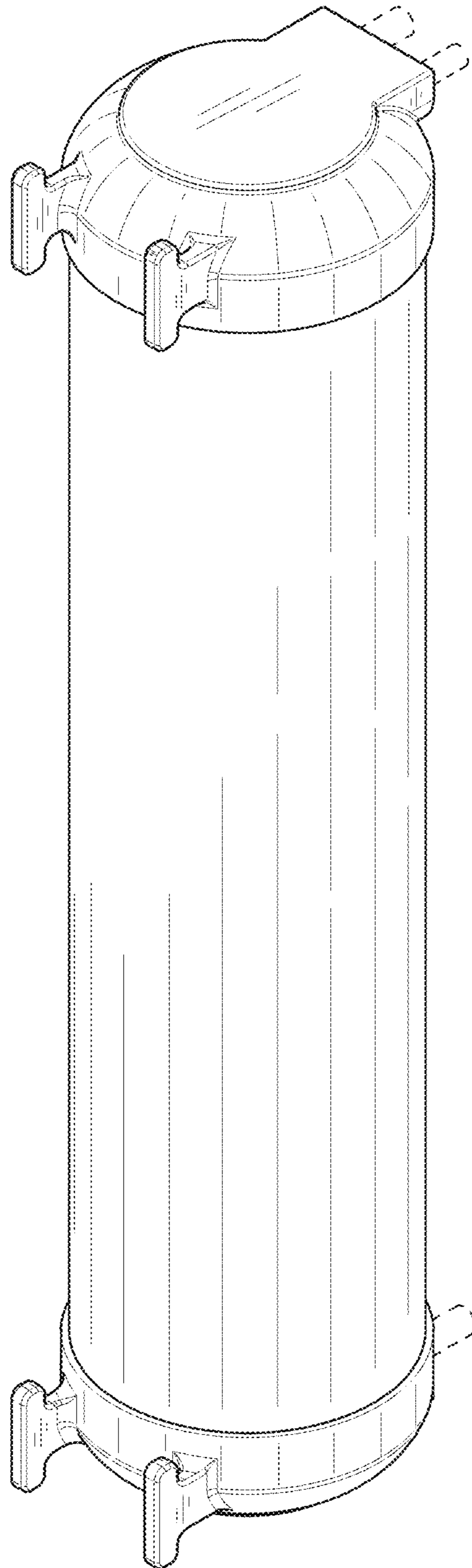


FIG. 1

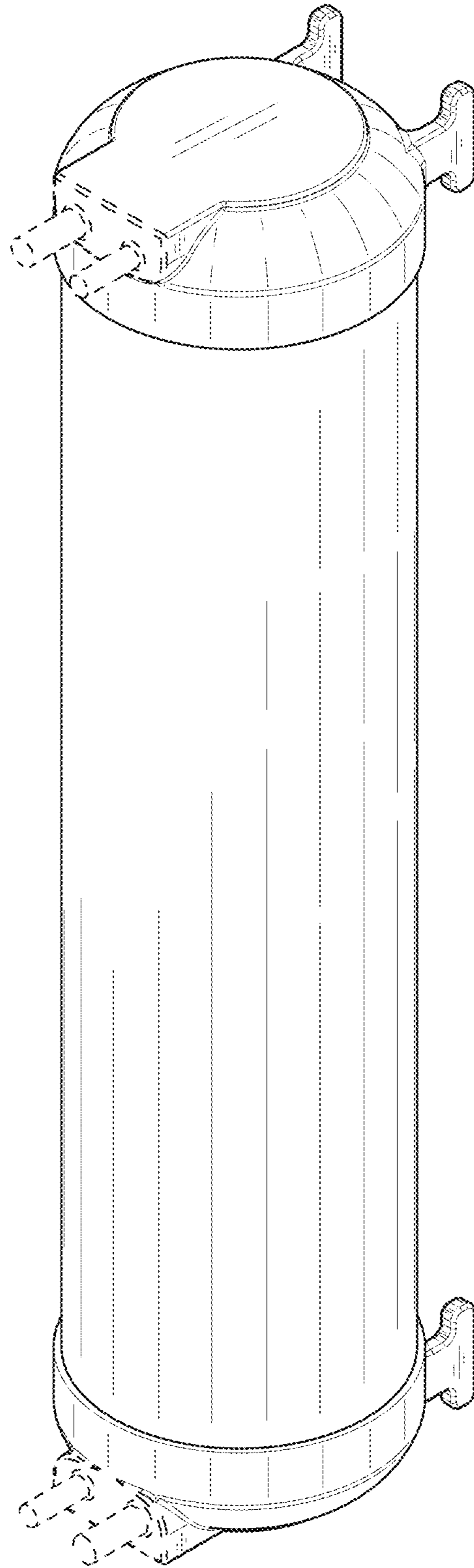


FIG. 2

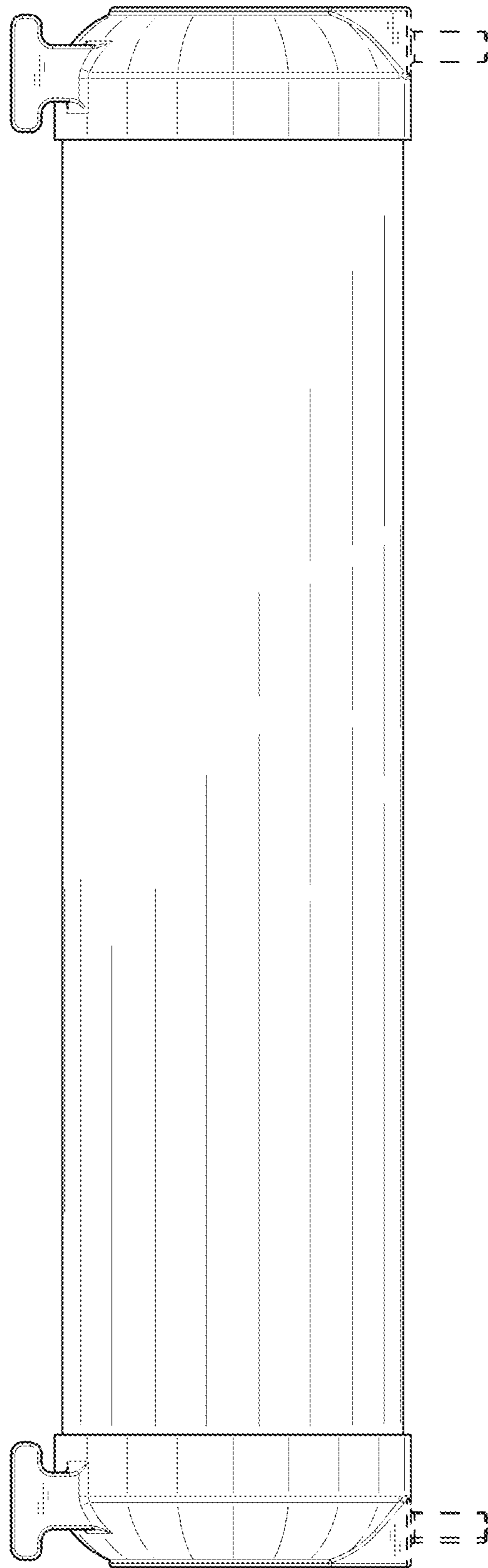


FIG. 3

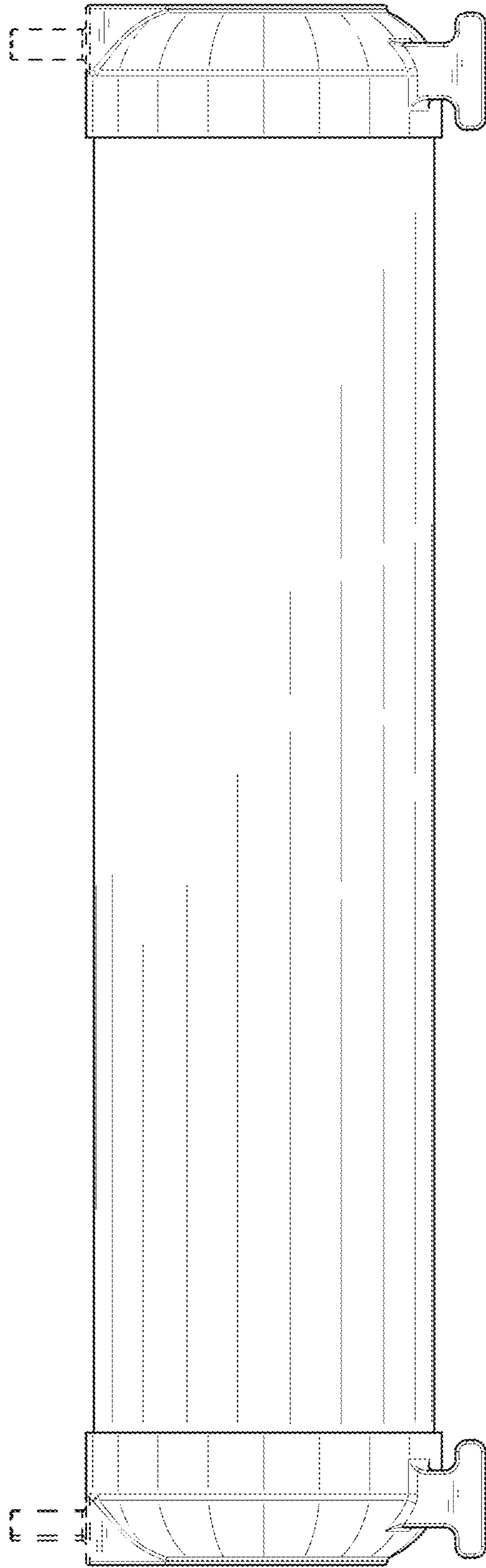


FIG. 4

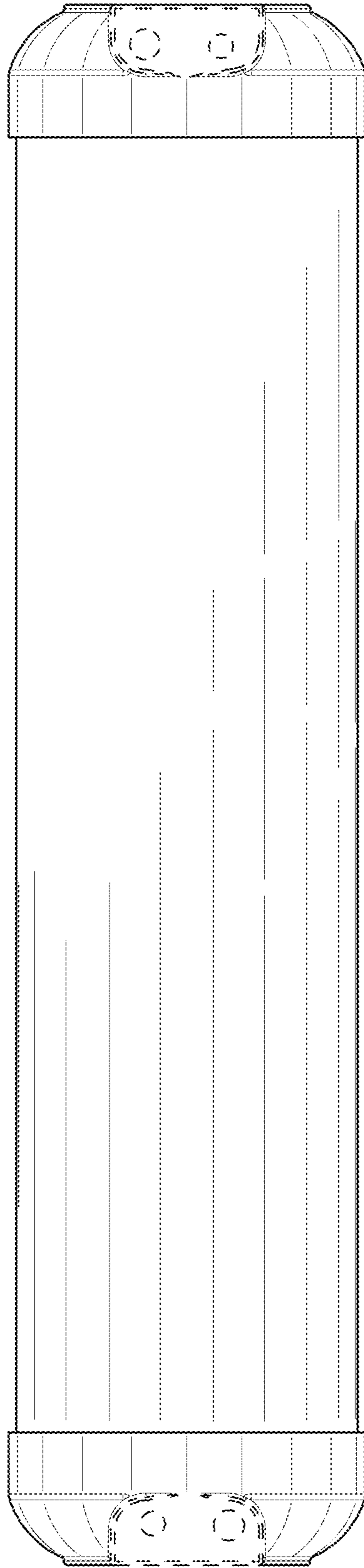


FIG. 5

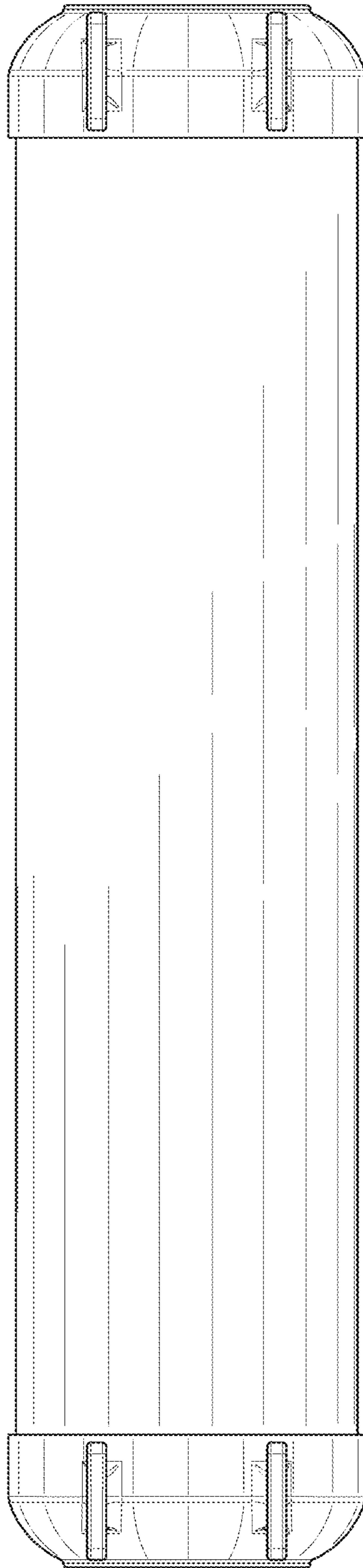


FIG. 6

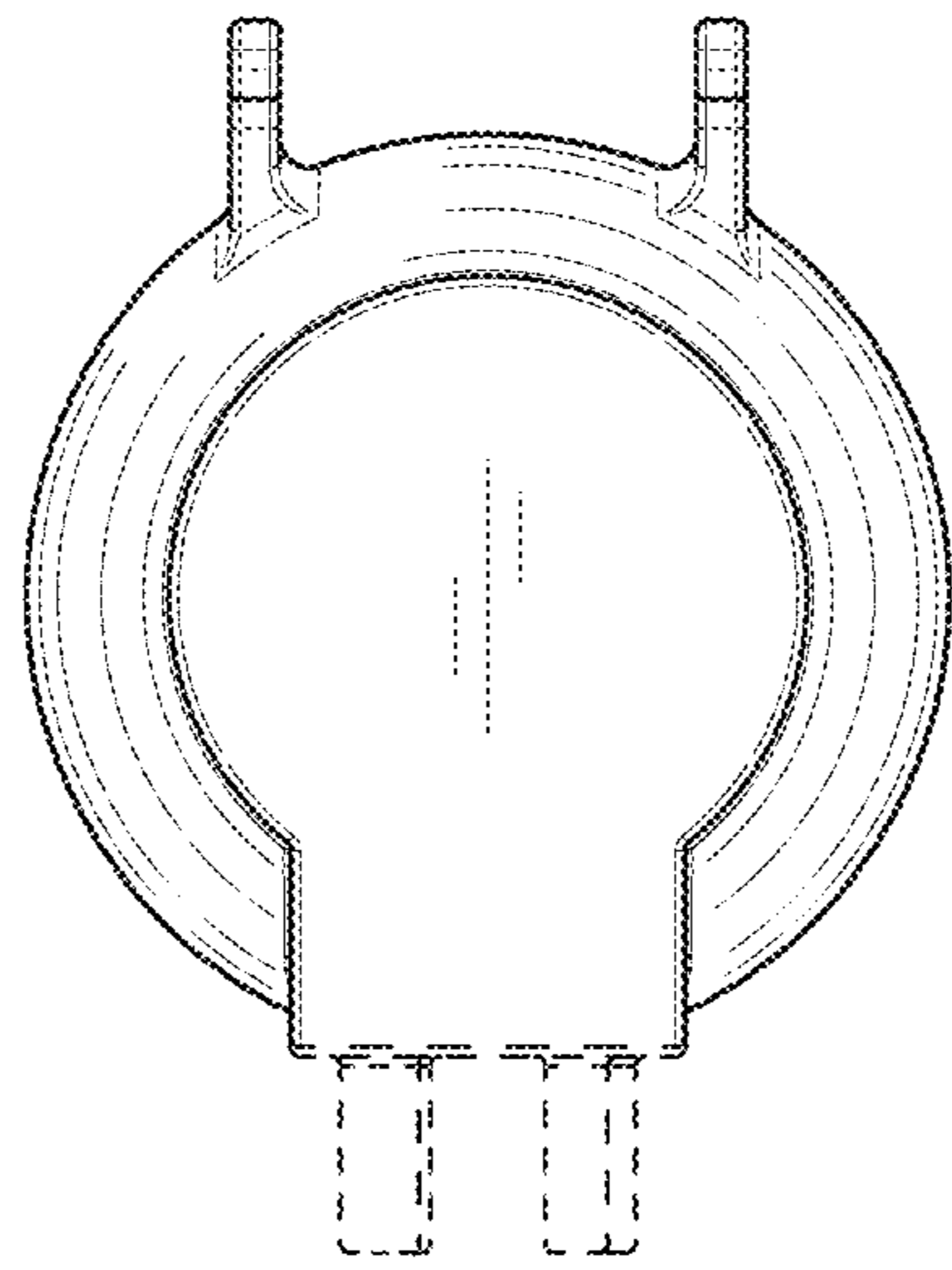


FIG. 7

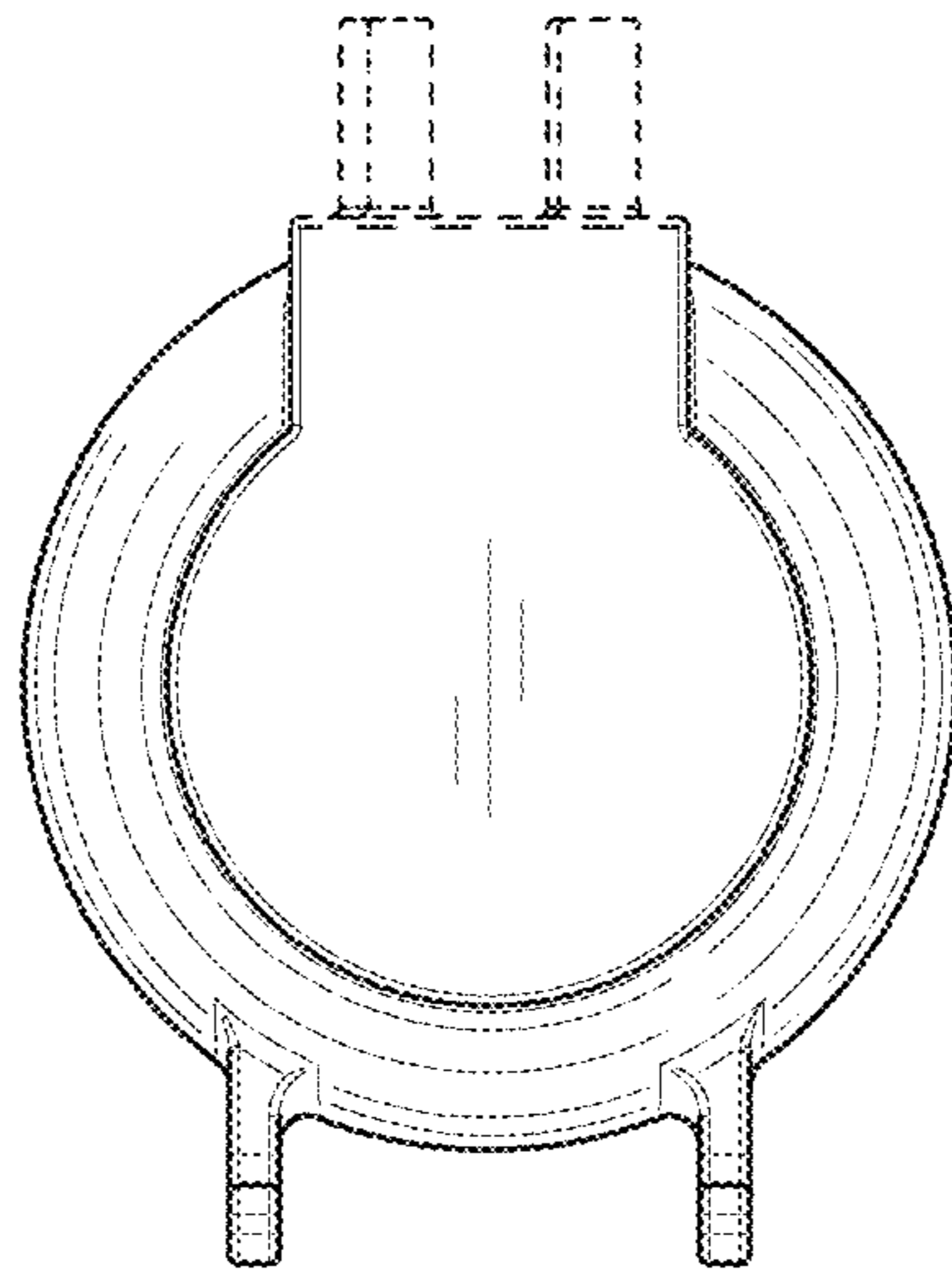


FIG. 8