



US00D892969S

(12) **United States Design Patent** (10) **Patent No.:** **US D892,969 S**  
**Aoki** (45) **Date of Patent:** **\*\* Aug. 11, 2020**

(54) **FISHING REEL PORTION**

FOREIGN PATENT DOCUMENTS

(71) Applicant: **Shimano Inc.**, Sakai, Osaka (JP)

JP D1378336 S 1/2010  
JP D1418960 S 7/2011

(72) Inventor: **Shingo Aoki**, Osaka (JP)

\* cited by examiner

(73) Assignee: **Shimano Inc.**, Osaka (JP)

*Primary Examiner* — Catherine R Oliver-Garcia  
(74) *Attorney, Agent, or Firm* — Global IP Counselors, LLP

(\*\*) Term: **15 Years**

(57) **CLAIM**

(21) Appl. No.: **29/694,700**

An ornamental design for a fishing reel portion, as shown and described.

(22) Filed: **Jun. 12, 2019**

**DESCRIPTION**

(30) **Foreign Application Priority Data**

Feb. 12, 2019 (JP) ..... 2019-002791

(51) **LOC (12) Cl.** ..... **22-05**

(52) **U.S. Cl.**

USPC ..... **D22/141**

(58) **Field of Classification Search**

USPC ..... D22/140–141; 242/223–224, 227, 230,  
242/234–240, 243, 283, 295, 310–318,  
242/322; 43/19–22

CPC ..... A01K 89/00; F41B 5/1484  
See application file for complete search history.

(56) **References Cited**

U.S. PATENT DOCUMENTS

D595,806 S 7/2009 Nago  
D674,868 S \* 1/2013 Deguchi ..... D22/140  
D674,869 S \* 1/2013 Deguchi ..... D22/140  
D684,238 S \* 6/2013 McCune ..... D22/140  
D709,985 S 7/2014 Deguchi  
D718,409 S 11/2014 Asaba  
D724,173 S \* 3/2015 Asaba ..... D22/140  
D731,613 S \* 6/2015 Kano ..... D22/140  
D767,083 S 9/2016 Niitsuma  
D869,602 S \* 12/2019 Hyun ..... D22/140  
2017/0238515 A1 \* 8/2017 Hyun ..... A01K 89/01905

FIG. 1 is a first perspective view of a fishing reel that includes a fishing reel portion in accordance with my new design;

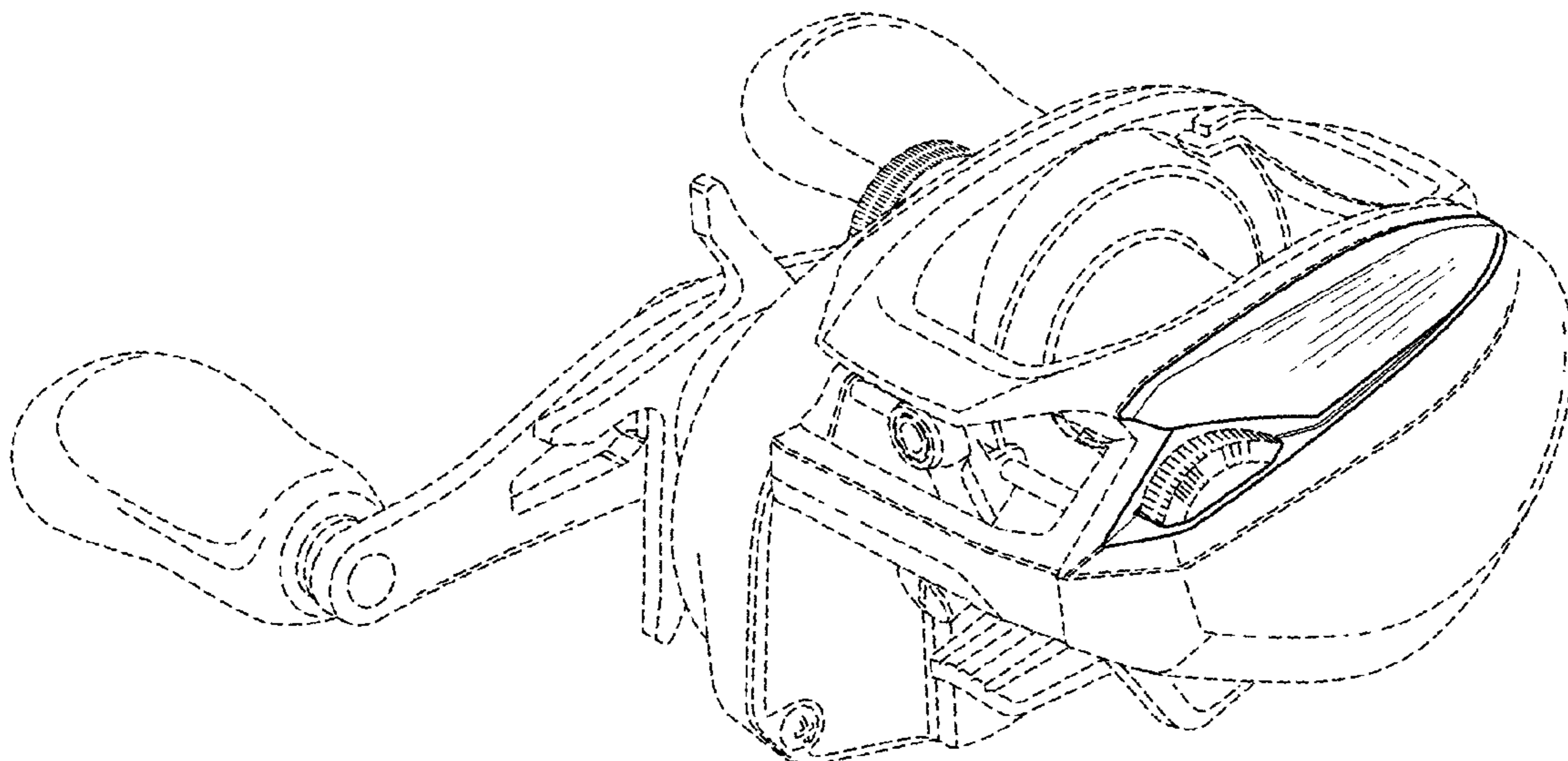
FIG. 2 is a second perspective view of the fishing reel illustrated in FIG. 1 that includes the fishing reel portion; FIG. 3 is a first side elevational view of the fishing reel illustrated in FIG. 1 that includes the fishing reel portion; FIG. 4 is a second side elevational view of the fishing reel illustrated in FIG. 1 that includes the fishing reel portion; FIG. 5 is a top plan view of the fishing reel illustrated in FIG. 1 that includes the fishing reel portion;

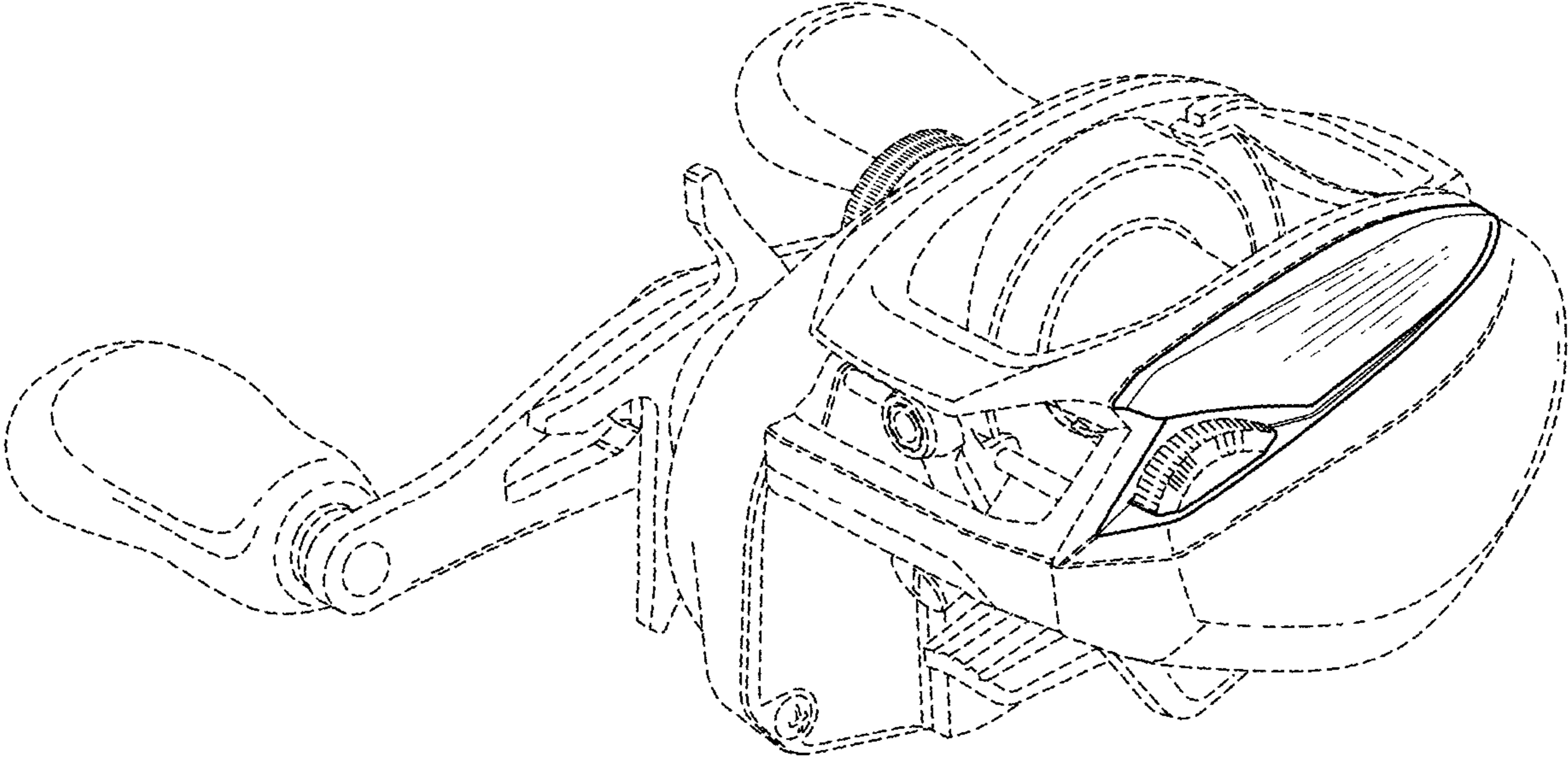
FIG. 6 is a bottom plan view of the fishing reel illustrated in FIG. 1 that includes the fishing reel portion; FIG. 7 is a rear elevational view of the fishing reel illustrated in FIG. 1 that includes the fishing reel portion; FIG. 8 is a front elevational view of the fishing reel illustrated in FIG. 1 that includes the fishing reel portion; and,

FIG. 9 is an enlarged, partial perspective view of a portion of the fishing reel illustrated in FIG. 1 that includes the fishing reel portion.

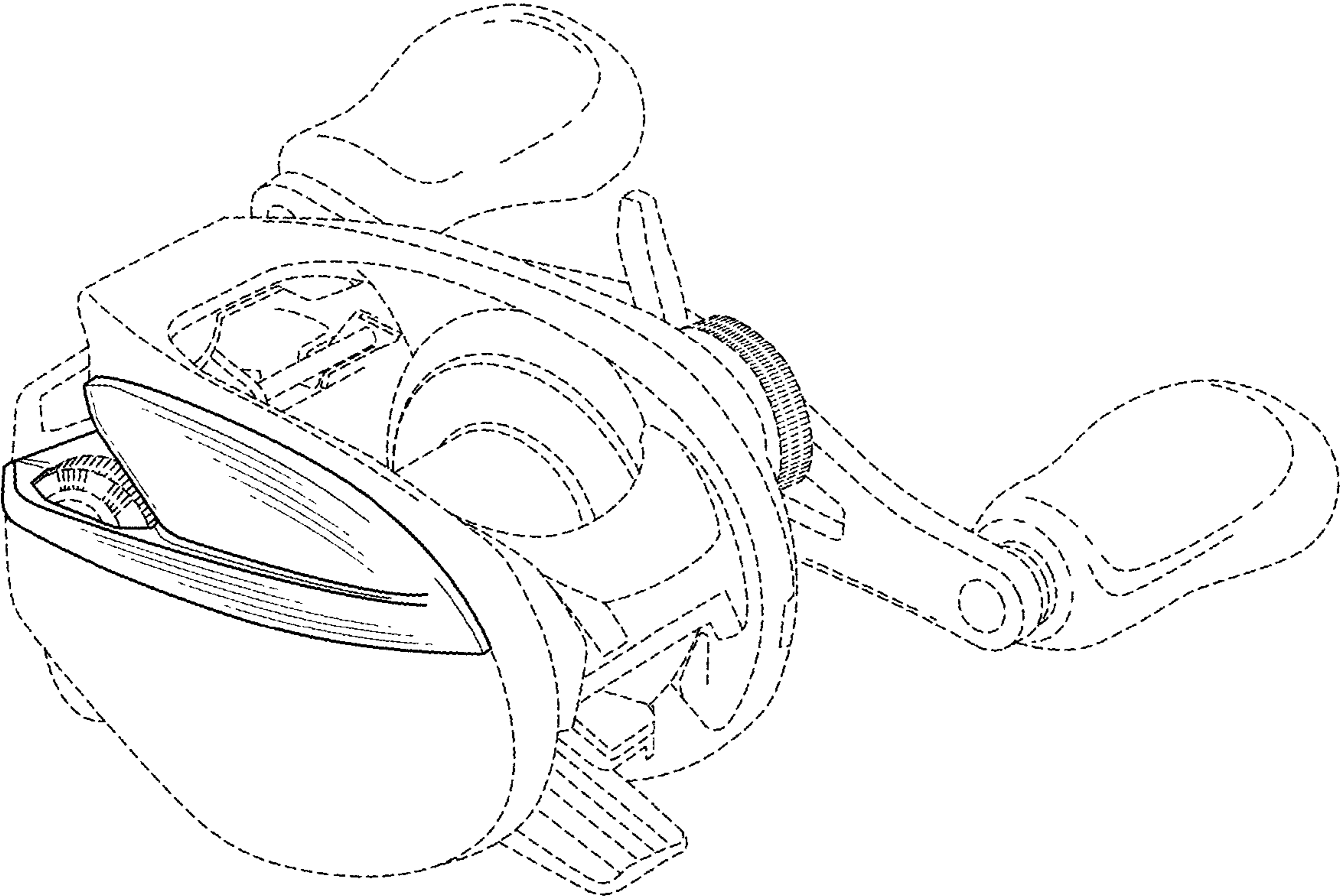
In the drawings, the broken line illustration of the environmental structure (the remaining structure of the fishing reel) in the drawings is not part of the claimed design. In other words, the broken line portion of the fishing reel does not form part of the claimed design.

**1 Claim, 6 Drawing Sheets**

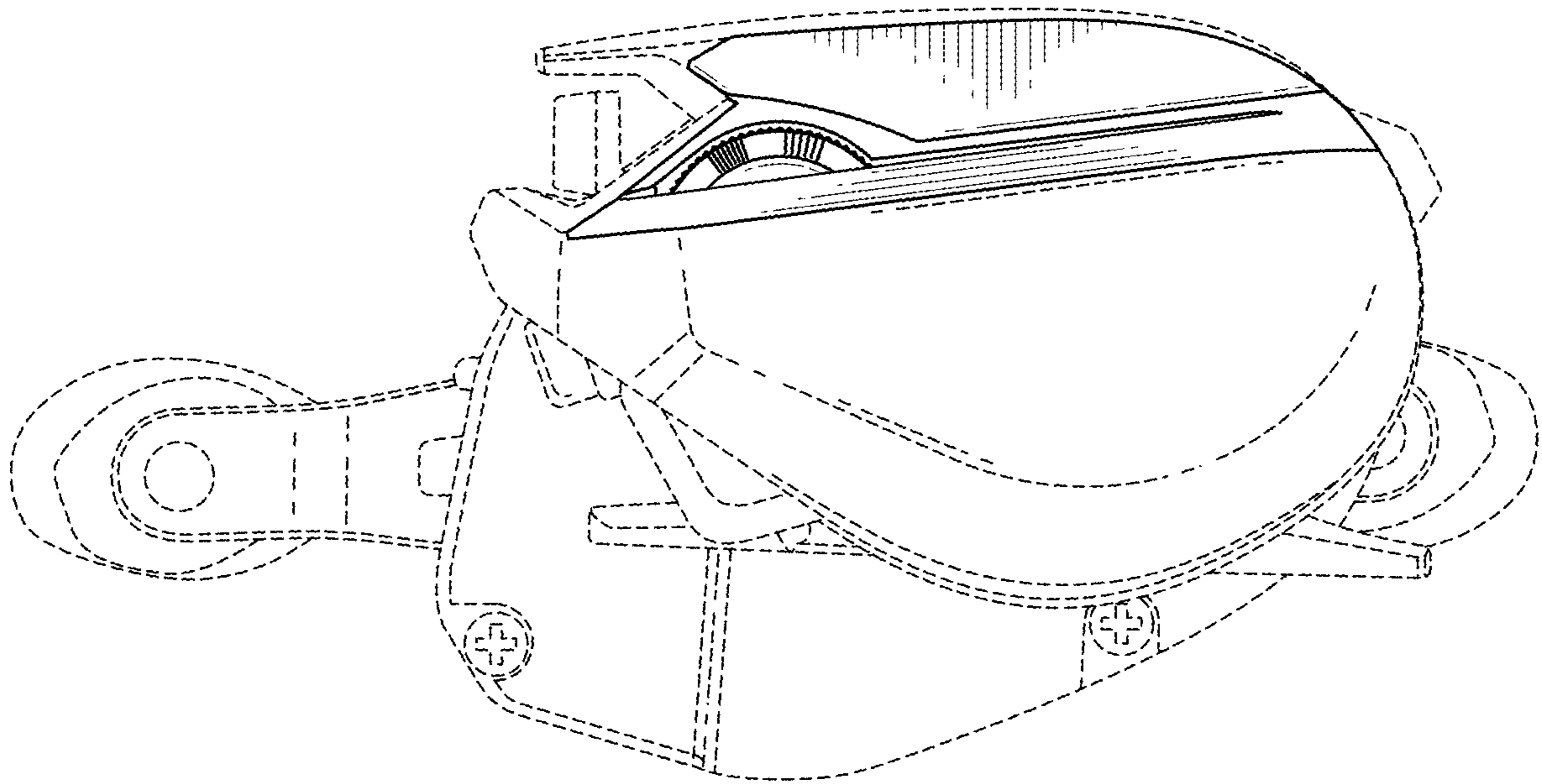




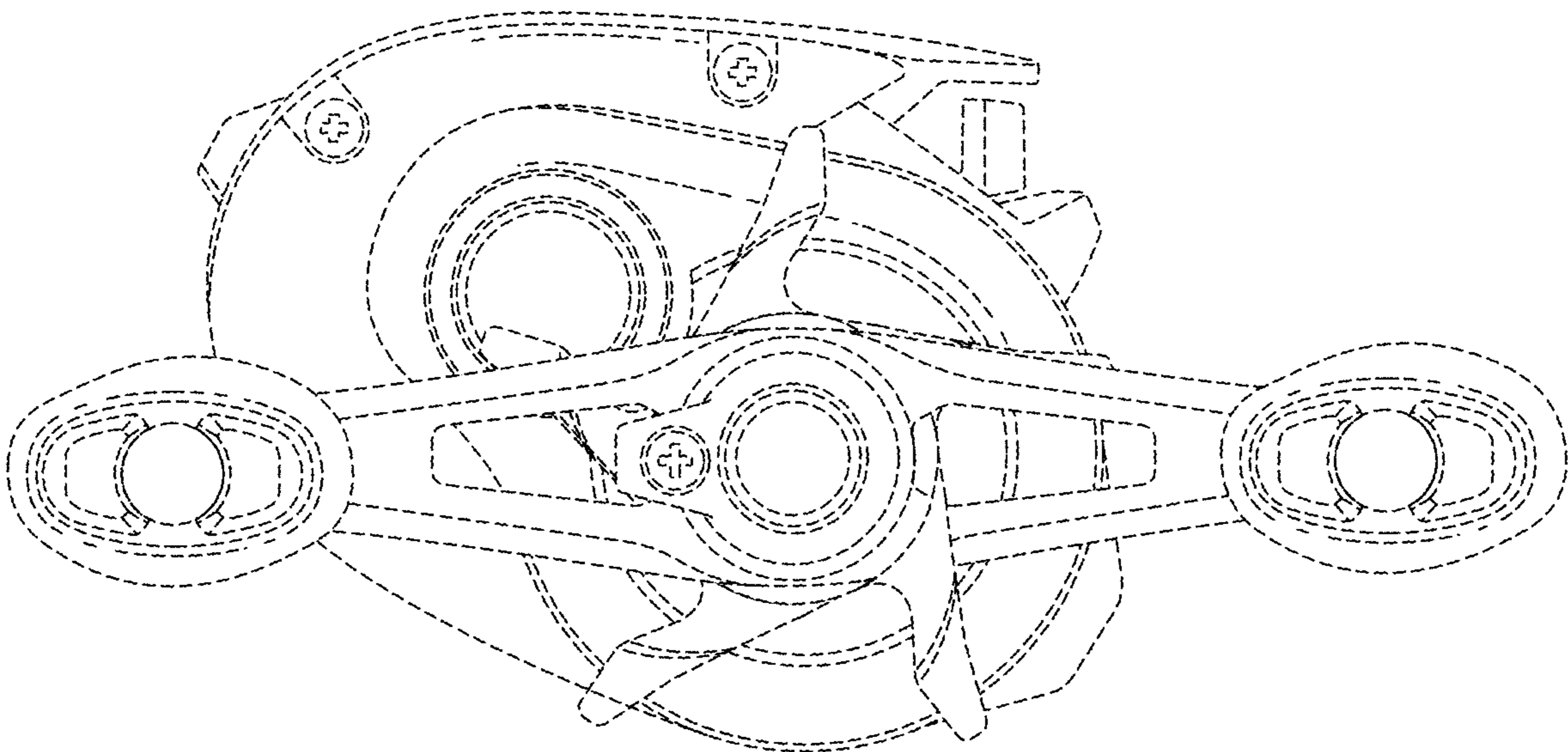
**FIG. 1**



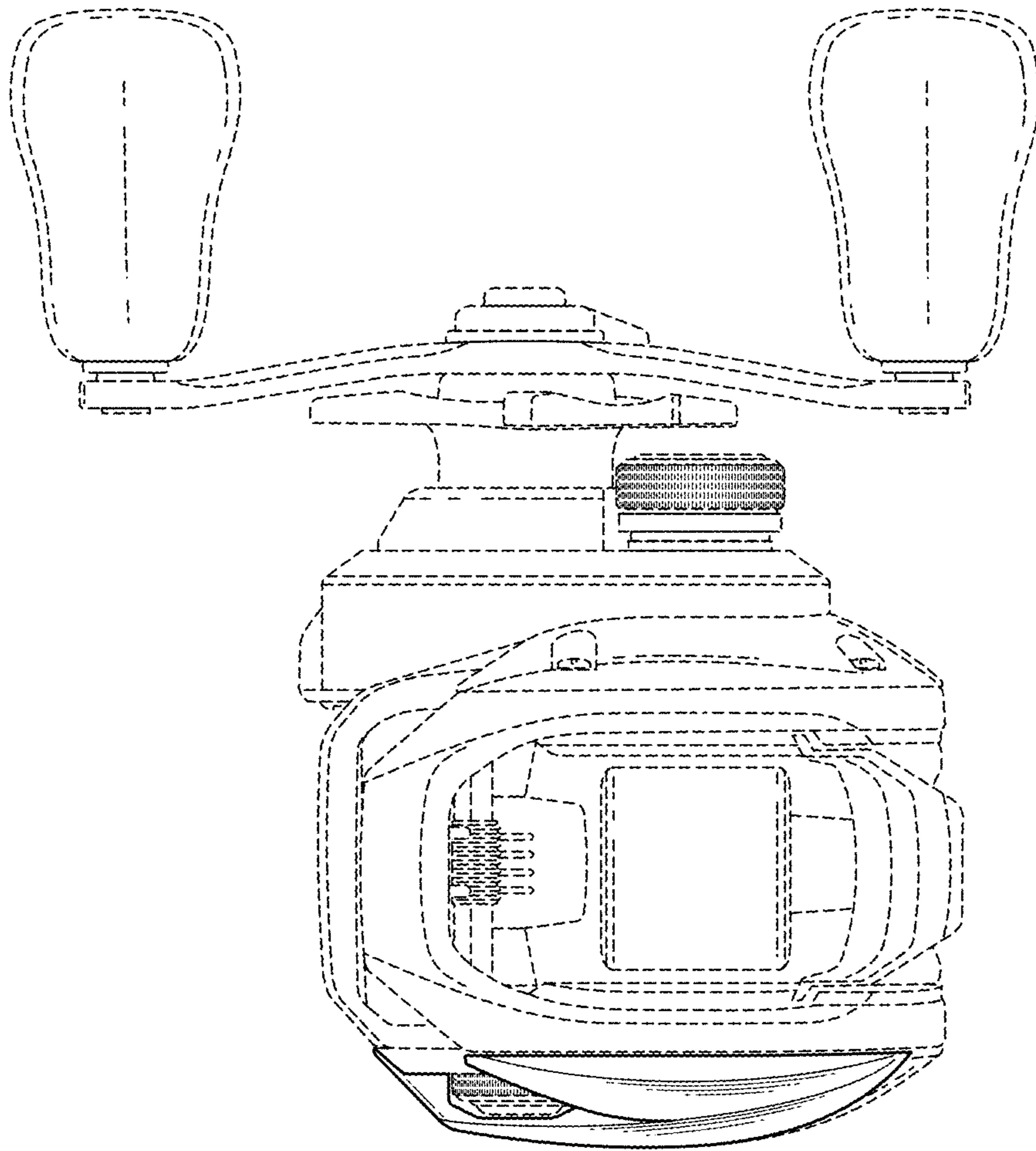
**FIG. 2**



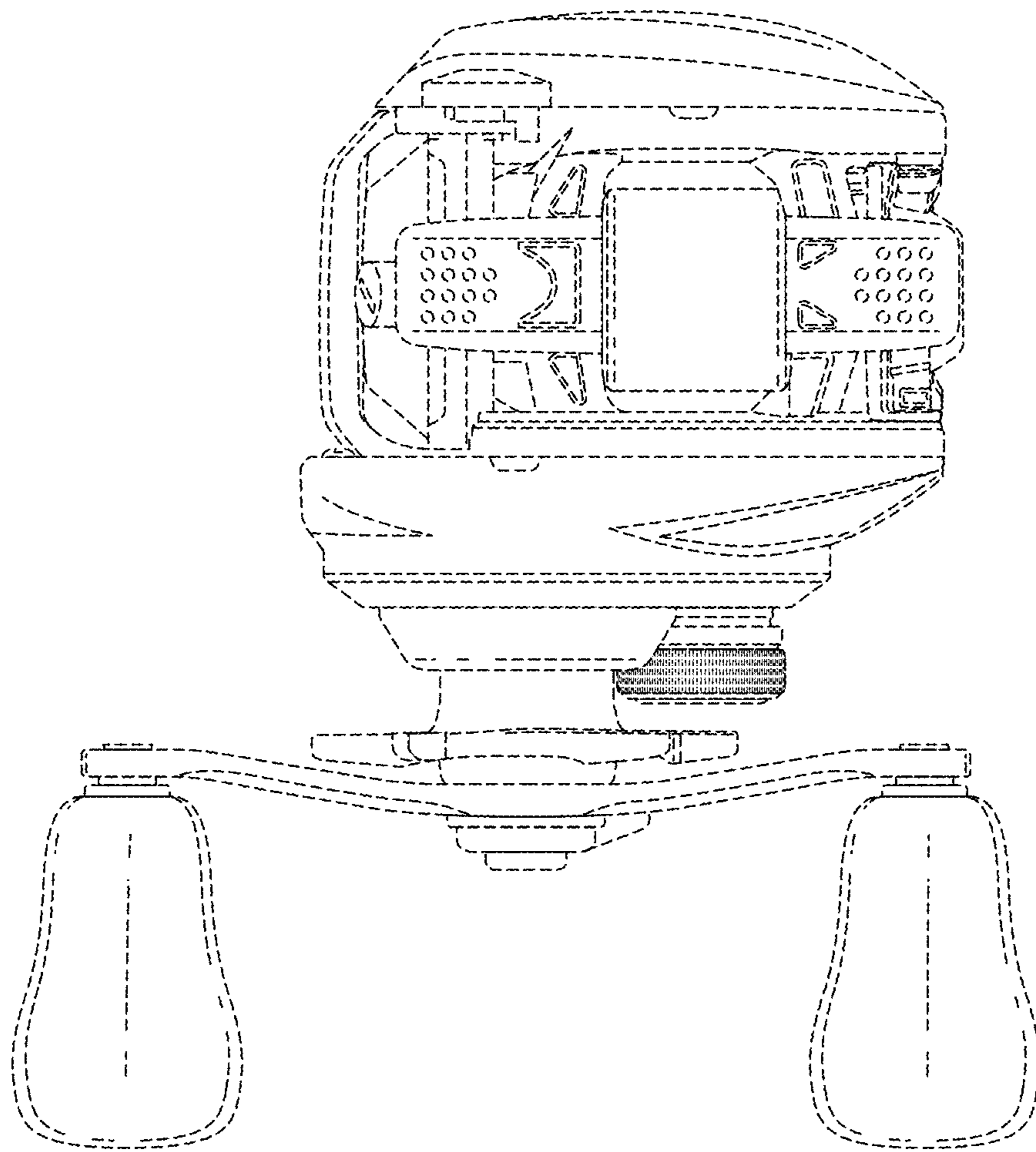
**FIG. 3**



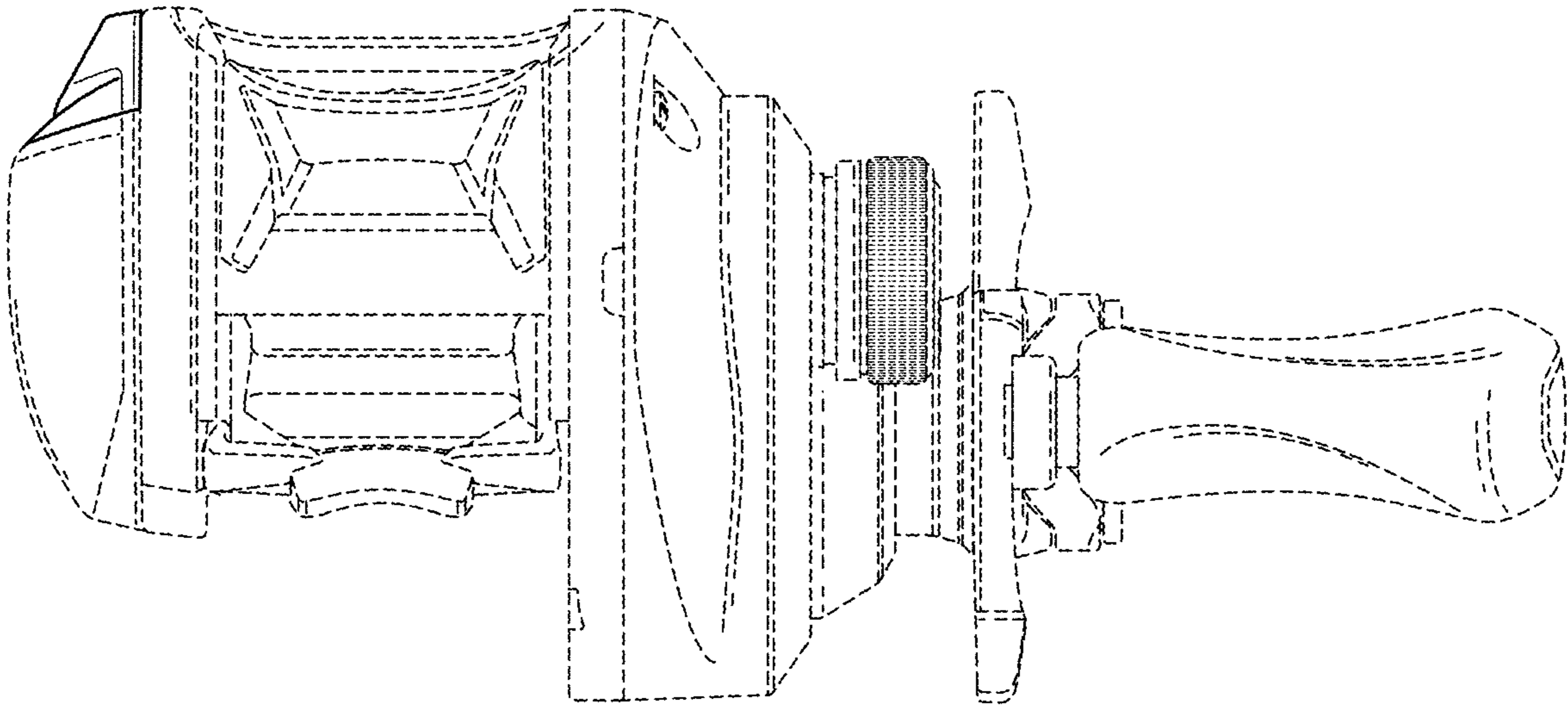
**FIG. 4**



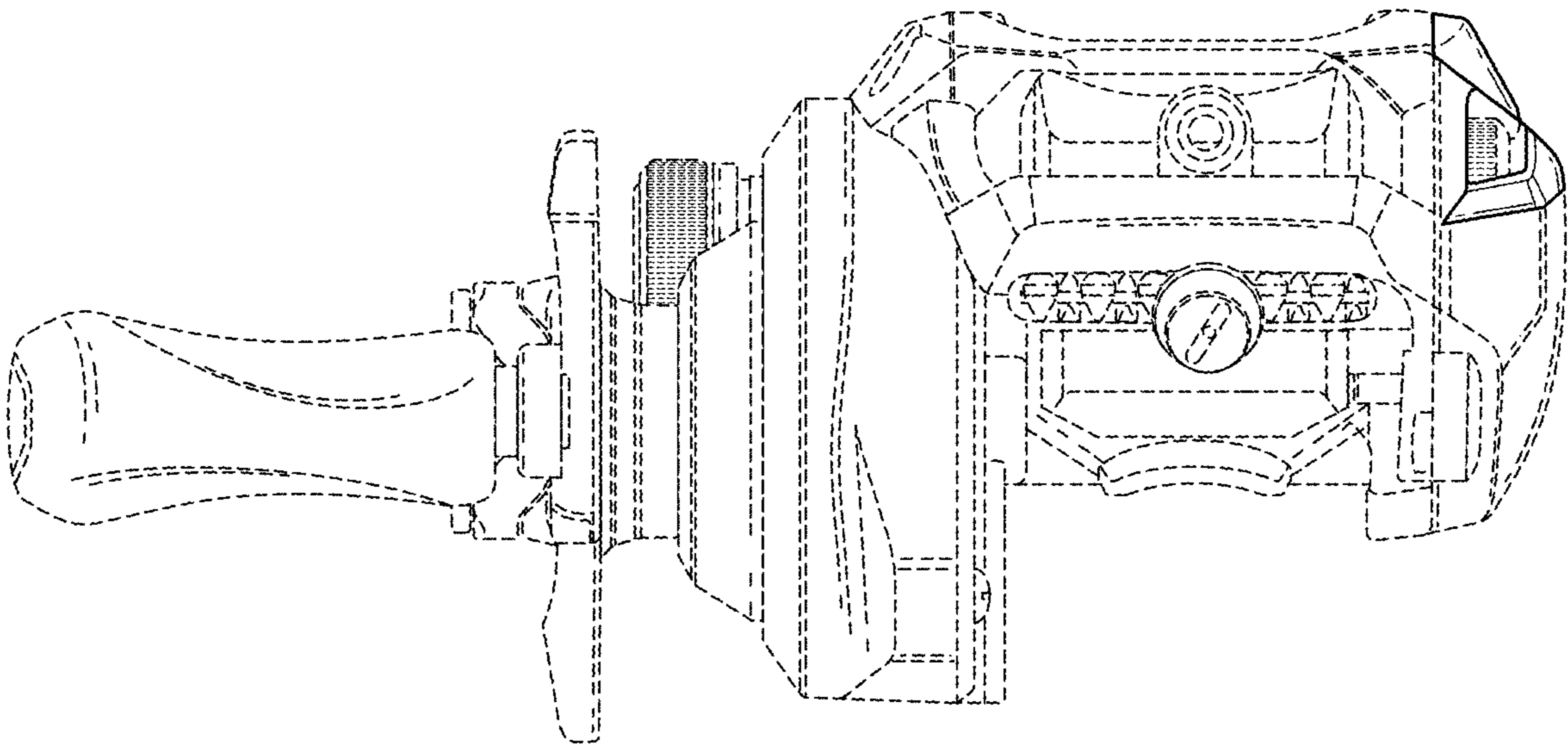
**FIG. 5**



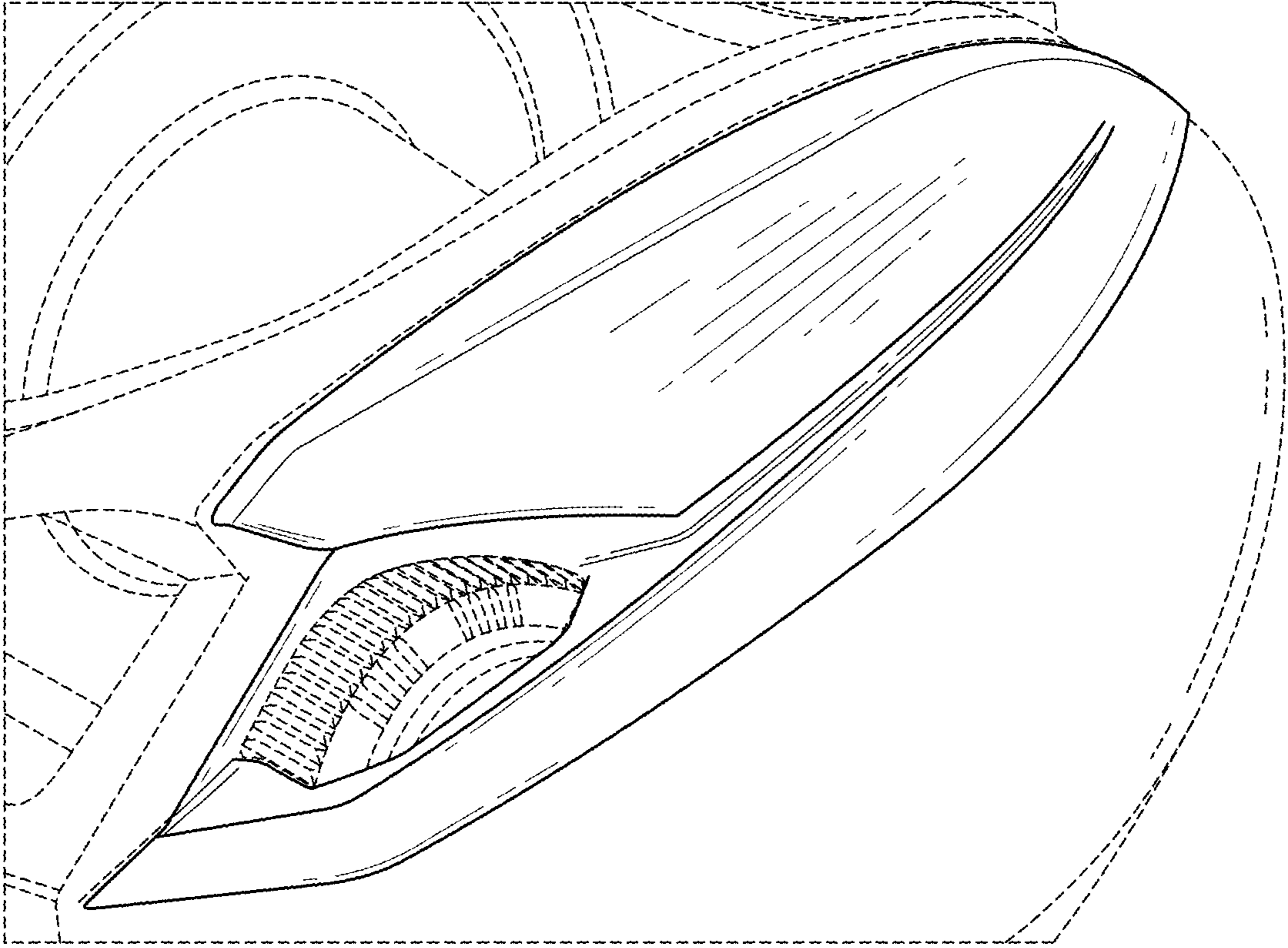
**FIG. 6**



**FIG. 7**



**FIG. 8**



**FIG. 9**